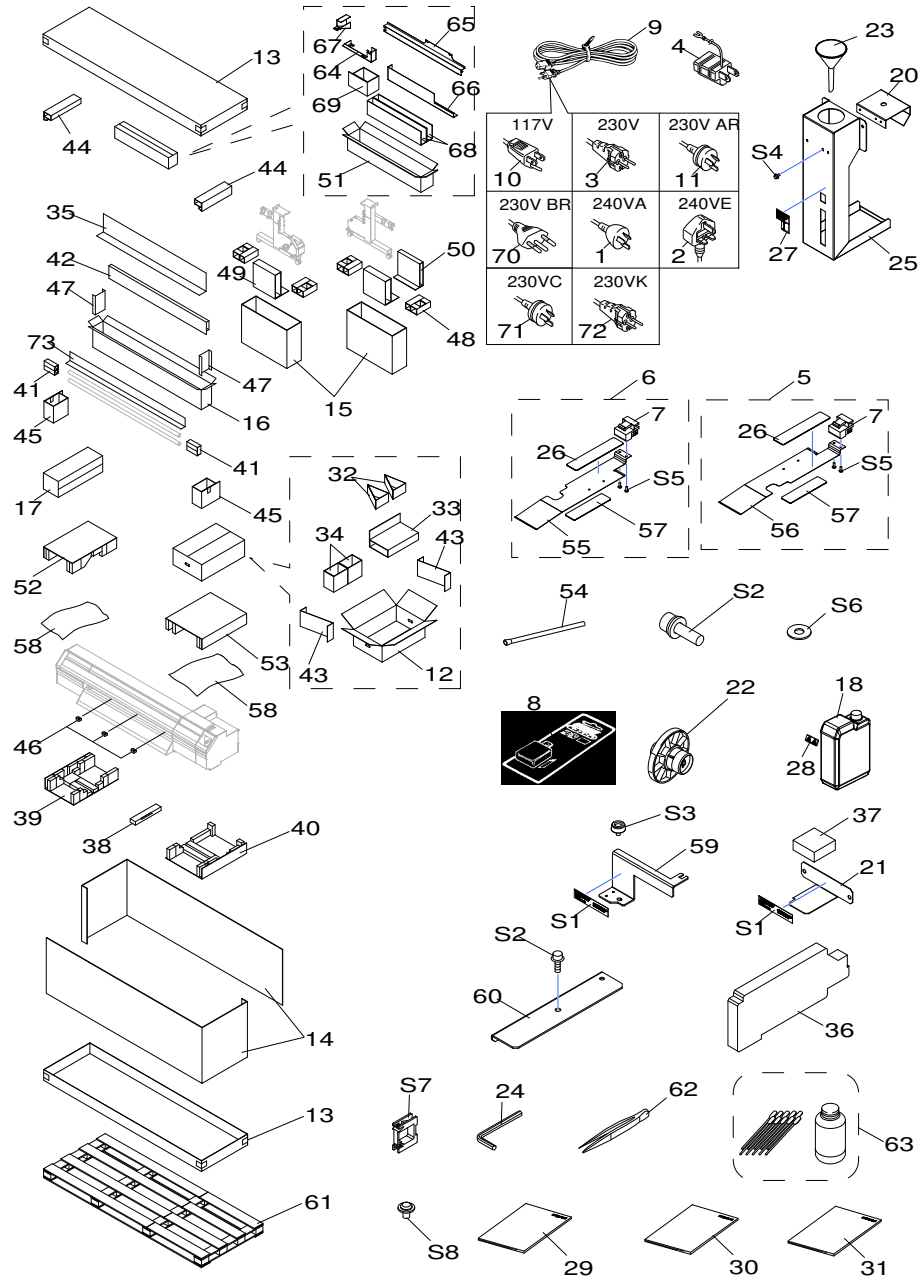
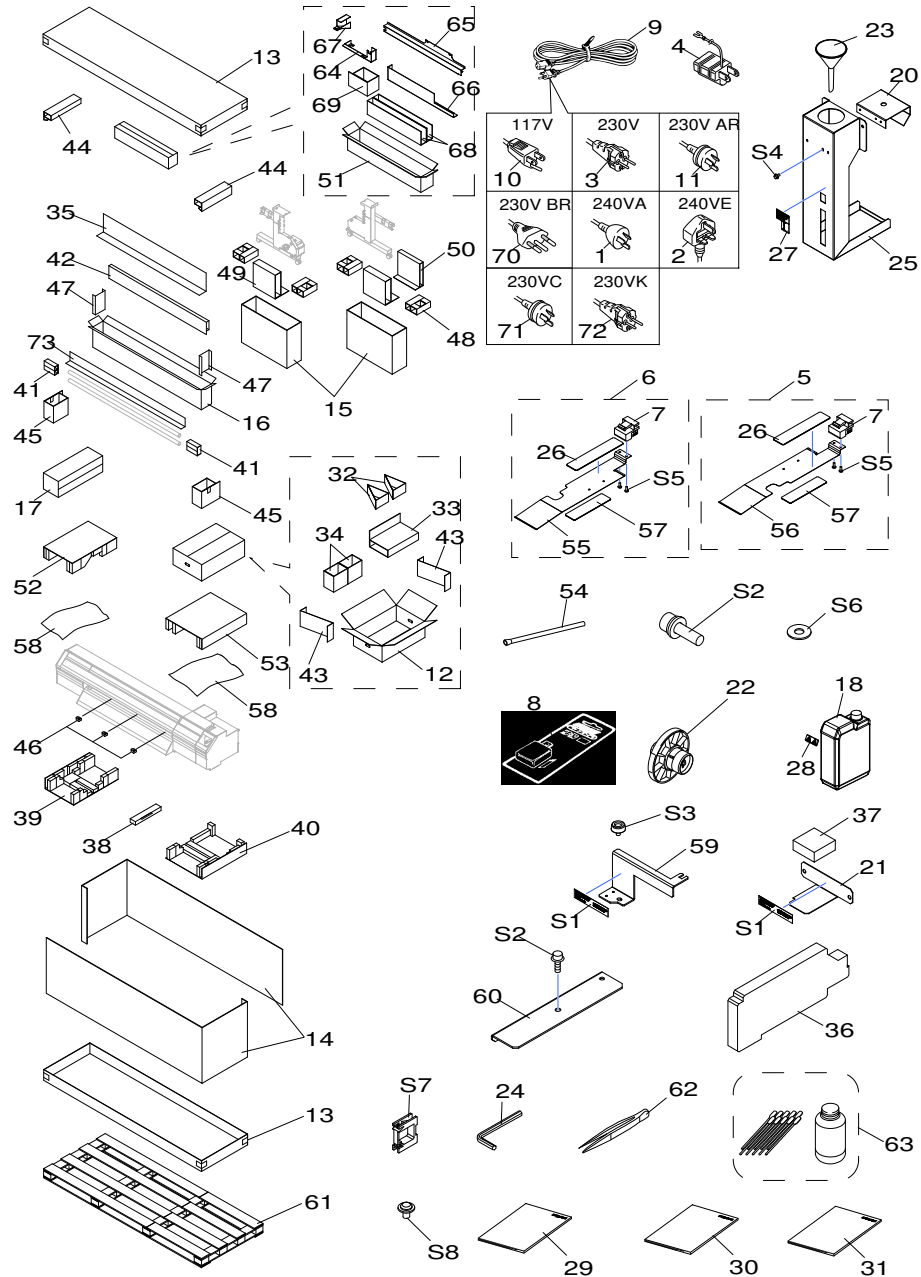


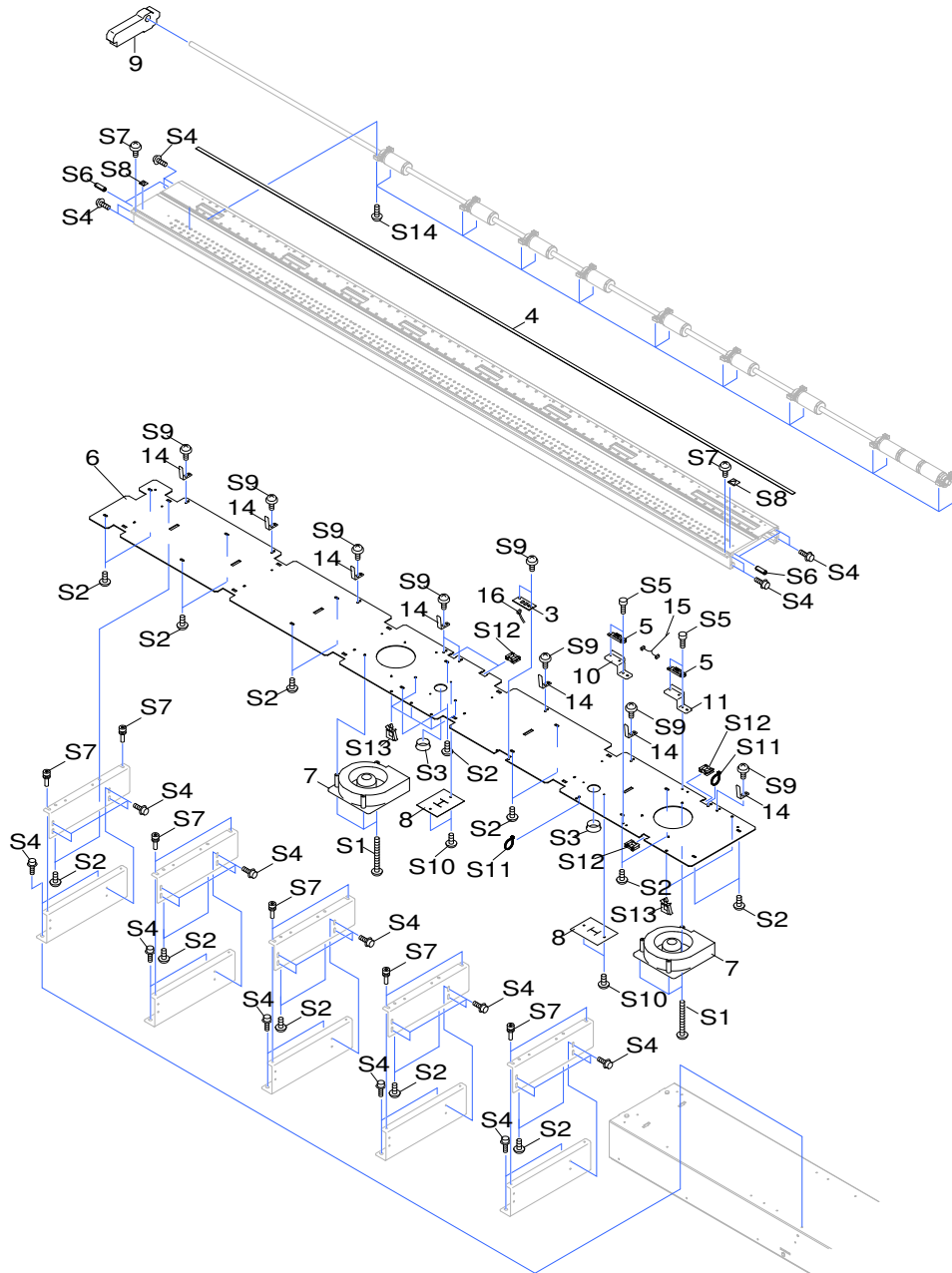
Pos	Code	Description
1	23495124	AC CORD 3ASL100 240VA 10A SAA
2	13499111	AC CORD H05VV-F 240VE 10A S
3	23495125	AC-CORD H05VV 230V 10A S
4	13499209	ADAPTER PLUG (100V)
5	6702029020	ASSY,MEDIA CLAMP R XR-640
6	6702029030	ASSY,MEDIA CLAMP L XR-640
7	1000015117	BASE,CLAMP MEDIA SP-300_01
7	22845112	BASE,MEDIA CLAMP SP-300
8	11849102	BLADE,OLFA AUTO CUTTER XB10
9	1000005832	CABLE-AC,100V 15A 2.5M 3P
10	1000005833	CABLE-AC,117V 15A 2.5M 3P
11	1000006097	CABLE-AC,3P 230VAR 2.5M TW
12	1000001639	CARTON,ACCESSORY XC-540
13	1000003566	CARTON,COVER XJ-640
14	1000003567	CARTON,SLEEVE XJ-640
15	1000009822	CARTON,STAND XR-640
16	1000003571	CARTON,STAND STAY XJ-640
17	1000009825	CARTON,VKIT XR-640
18	11369122	CASE,PE BOTTLE 5-038-03
20	1000001535	COVER,BOTTLE INK XC-540
21	1000001603	COVER,INK TRASH XC-540
22	21995106	FLANGE,GUIDE 2 PNS-70
23	12139657	GUIDE,INK FUNNEL PE 6-316-03
24	22565682	HEXAGONAL WRENCH 5
25	1000001534	HOLDER,BOTTLE INK XC-540
26	1000003017	LABEL,CLAMP MEDIA XC-540#LA991
27	22535393	LABEL,DRAIN BOTTLE FJ-540 #LA501
28	1000001099	LABEL,HARMFUL FIRE #LA915
29	1000009570	MANUAL,INS JP XR-640
29	1000009571	MANUAL,INS EN XR-640
30	1000009568	MANUAL,USE JP XR-640
30	1000009569	MANUAL,USE EN XR-640
30	1000009575	MANUAL,USE SP XR-640
31	1000009572	MANUAL,USE2 JP XR-640
31	1000009573	MANUAL,USE2 EN XR-640
32	1000009823	PAD,ACCESSORY XR-640
33	1000001642	PAD,ACCESSORY B XC-540
34	1000001641	PAD,ACCESSORY S XC-540
35	1000003573	PAD,DANCER XJ-640
36	1000008644	PAD,DUMMY CARTRIDGE VS-640



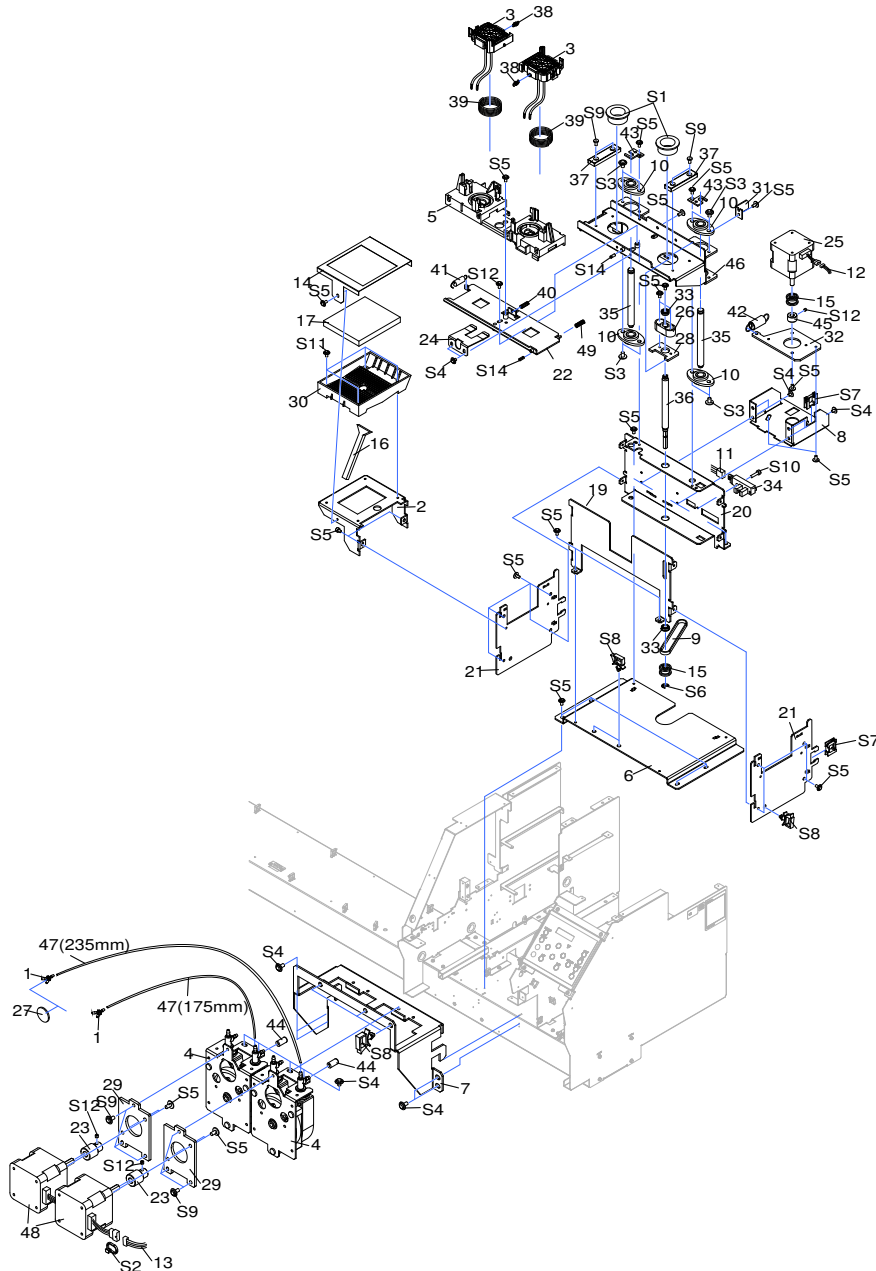
Pos	Code	Description
37	1000001604	PAD,INK TRASH XC-540
38	1000009818	PAD,L-CENTER XR-640
39	1000009816	PAD,L-LEFT XR-640
40	1000009817	PAD,L-RIGHT XR-640
41	1000006874	PAD,PIPE FEEDER SHAFT VS-640
42	1000003572	PAD,SLIDER XJ-640
43	1000001640	PAD,SPACER ACCESSORY XC-540
44	1000009824	PAD,SPACER A XR-640
45	1000009826	PAD,SPACER B XR-640
46	1000009828	PAD,SPACER RAIL XR-640
47	1000003558	PAD,SPACER STAND STAY XJ-740
48	1000009821	PAD,STAND BASE XR-640
49	1000009820	PAD,STAND GUARD XR-640
50	1000009819	PAD,STAND GUARD XR-640
51	1000009862	CARTON,CABLE COVER XR-640
52	1000009814	PAD,U-LEFT XR-640
53	1000009815	PAD,U-RIGHT XR-640
54	22155133	PIPE,TOOL D9*L150 FJ-540
55	1000001523	PLATE,CLAMP MEDIA L XC-540
56	1000001524	PLATE,CLAMP MEDIA R XC-540
57	1000006810	SHEET,CLAMP MEDIA VS-640
57	1000015598	SHEET,CLAMP MEDIA VS-640
58	1000003861	SHEET,MIRROR XJ-740
59	1000009663	STOPPER,CARRIAGE XR-640
60	1000003635	STOPPER,PIPE FEEDER XJ-740
61	1000003781	TRAY,SKID XJ-640
62	12569656	TWEEZERS PTS-01
63	22085118	KIT,CLEANING(SL)
63	6701409310	KIT,CLEANING(ESL5) 100ML
64	1000009858	COVER,CABLE A XR-640
65	1000009856	COVER,CABLE B XR-640
66	1000009857	COVER,CABLE C XR-640
67	1000009859	COVER,CABLE D XR-640
68	1000009863	PAD,CABLE COVER A XR-640
69	1000009864	PAD,CABLE COVER B XR-640
70	1000006571	CABLE-AC,3P 117/230V BR 2.5M
71	13439801	CABLE-AC 3P CHINA 10A250V S
72	1000010999	CABLE-AC, H05VV 230V 10A KC
73	1000011861	PAD,SUPPORT FEEDER SHAFT XR-640
S1	31279201	LABEL,REPACKAGE #LA16



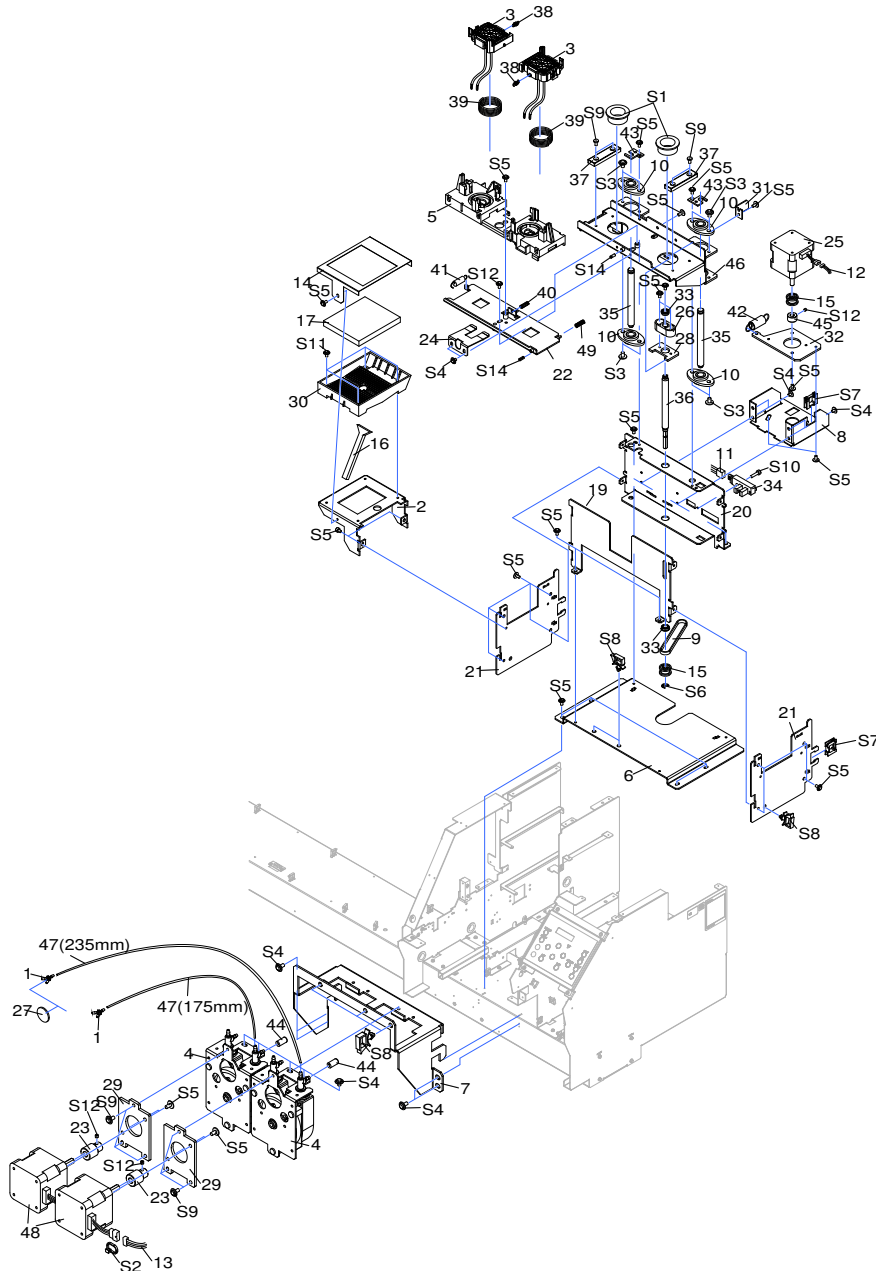
Pos	Code	Description
S2	31049157	SCREW,CAP M6*20 3CBC+PW+SW
S3	31139104	SCREW,PLAPOINT M4*6 BK FE
S4	31049169AS	SCREW SET,CAP M4*8 3CBC+PW 20PCS
S5	31229103AS	SCREW SET,TRUSS M2*6 NI 100 PCS
S6	31249220AS	WASHER SET,PLAIN 6.5*16*1 NI 100PCS
S7	31409702	SADDLE SET,LOCKING WIRE LES-1010 20P
S8	31289109AS	CUPSCREW SET,M3*4 NI 100 PCS



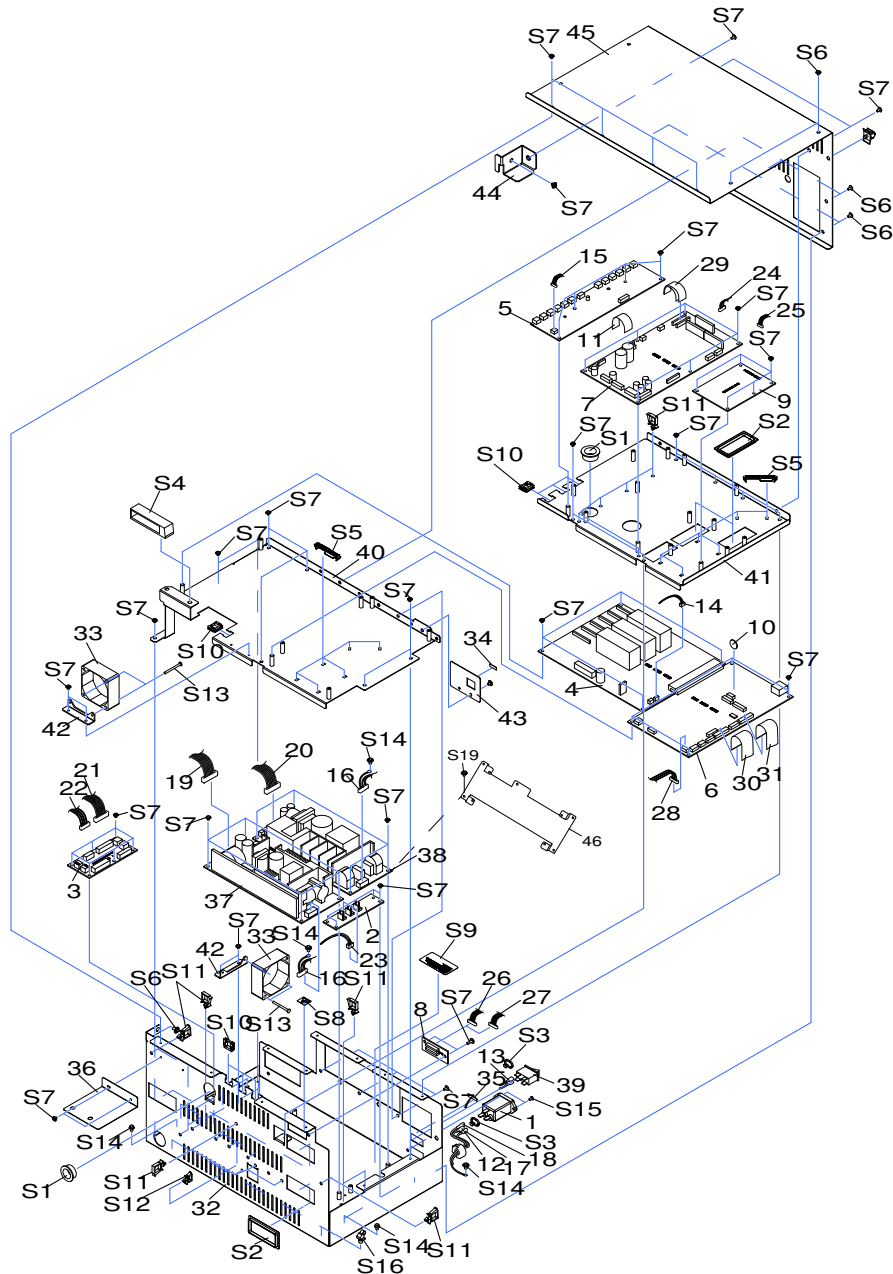
Pos	Code	Description
3	W7003113B0	ASSY,FAN JUNCTION BOARD XC-540
3	W7007313B0	ASSY,FAN JUNCTION BOARD XJ-740
3	W701568230	ASSY,FAN JUNCTION BOARD LEC-540
3	W701778240	ASSY,FAN JUNCTION BOARD FH-740
3	W7020282B0	ASSY,FAN JUNCTION XR-640
4	1000009646	PAD,CUTTER XR-640
5	15099115	SENSOR-INTERRUPTER GP2A25NJ
6	1000003673	PLATE,SHUTTER BED XJ-640
7	1000000764	FAN,A35577-55ROL
8	21625103	SHUTTER,HEATER CORD SP-300
9	1000001567	SHUTTER,BED XC-540
10	1000001493	STAY,P-SENSOR XC-540
11	1000002064	STAY,P-SENSOR B XC-540
14	1000001576	SPRING,PRE HEATER XC-540
15	1000001692	CABLE-ASSY,PAPER-SENS XC-540
16	1000003699	CABLE-ASSY,FAN JUNCTION XJ-640
S1	31239112	SCREW SET,W-SEMS M3*45 3CBC 50 PCS.
S2	31019703	SCREW,BINDING P-TIGHT M3*8 3C 100P
S3	31029101	BUSH,NB-19
S4	31049169AS	SCREW SET,CAP M4*8 3CBC+PW 20PCS
S5	31049170AS	SCREW SET,CAP M3*8 NI 50 PCS.
S6	31119904	PIN,SPRING 2.5*8 SUS STRAIGHT 50 PCS
S7	31179106	SCREW,JACK UP SP-540V
S8	31279106	LABEL,CAUTION HOT SURF NO.778
S9	31289109AS	CUPSCREW SET,M3*4 NI 100 PCS
S10	31299102AS	RIVET SET,NYLON P2655B 20 PCS.
S11	31329601AS	CLAMP SET,INSULOK T-18S 100 PCS.
S12	31409702	SADDLE SET,LOCKING WIRE LES-1010 20P
S13	31409811AS	SADDLE SET,LOCKING WIRE LWS-1211Z 20P
S14	31289112AS	CUPSCREW SET,M3*10 NI 100 PCS.



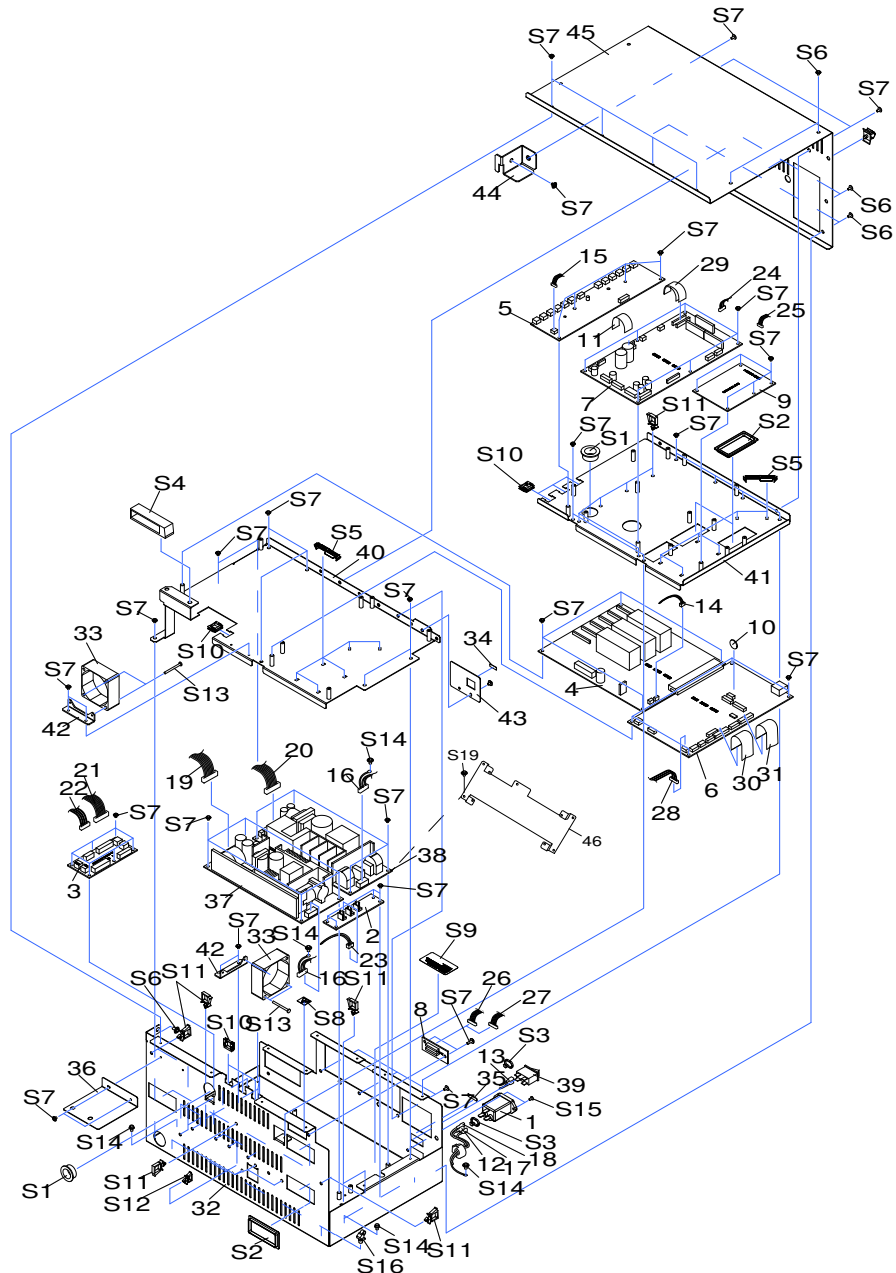
Pos	Code	Description
1	1000002679	ADAPTER,JUNCTION VPY306
2	1000009002	ARM,SERGE MIST FH-740
3	6702029010	ASSY,CAP TOP XR-640
4	6700319010	ASSY,PUMP SUB XC-540
5	1000006521	BASE,BACK-UP CAP VS-640
5	6702029040	ASSY,BASE CAP UNIT XR-640
6	1000008989	BASE,BOTTOM CAP FH-740
7	1000004588	BASE,NEW PUMP LEC-300
8	1000001588	BASE,T-MOTOR CAP XC-540
9	21925137	BELT,166P2M4-530
10	12529101	BUSH,80FL-08
11	1000006943	CABLE-ASSY,CAP SENS LEC-540
12	1000001695	CABLE-ASSY,CAP-M XC-540
13	1000009578	CABLE-ASSY,PUMP-M XR-640
14	1000009014	COVER,SERGE MIST FH-740
15	22565406	DRIVE PULLEY
16	22275122	FILTER(M),INNER SERGEMIST SJ-540
17	1000000415	FILTER(M),SERGE MIST 3 SJ-540
18	1000008993	FRAME,BUCK-UP FH-740
19	1000009000	FRAME,FRONT CAP FH-740
20	1000008992	FRAME,MAIN CAP FH-740
21	1000008990	FRAME,SIDE CAP FH-740
21	1000010228	FRAME,SIDE CAP XR-640
22	1000008999	FRAME,UNDER BACK-UP FH-740
22	1000010041	FRAME,UNDER BACK-UP XR-640
23	1000006751	GEAR,S14S5(B12)
24	1000009001	HOLDER,BACK-UP FH-740
24	1000010039	HOLDER,BACK-UP XR-640
25	1000018516	MOTOR,103-593-1041
25	22435106	MOTOR,103-593-1041
26	21575126	NUT,TABLE FJ-540
27	1000009052	PAD,INK FUNNEL FH-740
28	22055542	PLATE,NUT FJ-540
29	1000006750	PLATE,P-MOTOR VS-640
29	1000015185	PLATE,P-MOTOR VS-640
30	22055537	PLATE,SERGE MIST FJ-540
31	1000001440	PLATE,SHUTTER TABLE CAP XC-540
32	1000001607	PLATE,T-MOTOR XC-540
33	11889107	R-BEARING,D10S6(B3FL)
34	1000006689	SENSOR-INTERRUPTER,EE-SX4009-P1



Pos	Code	Description
35	1000001591	SHAFT,GUIDE TABLE XC-540
36	22155957	SHAFT,SCREW M8 FJ-540
37	22185103	SLIDER,1 TUC-6070
38	1000006524	SPRING,CAP FRONT VS-640
38	1000015181	SPRING,CAP FRONT VS-640
39	1000007551	SPRING,CAP VS-640_01
39	1000015182	SPRING,CAP VS-640_01
40	22175520	SPRING,HEAD ADJUST 500 FJ-540
41	22175521	SPRING,PINCH 930 FJ-540
42	22175324	SPRING,TABLE MOTOR FJ-540
43	1000008991	STOPPER,G-SHAFT FH-740
44	1000002019	STOPPER,PUMP XC-540
45	1000001594	STOPPER,T-MOTOR CAP XC-540
46	1000008988	TABLE,CAP-CASE FH-740
47	1000008754	ASSY,TUBING BK 2.2FAI 300MM LEJ-640
48	1000007733	MOTOR,XS-5208-064
48	1000018514	MOTOR,103-5208-85542
49	22175520	SPRING,HEAD ADJUST 500 FJ-540
S1	31029101	BUSH,NB-19
S2	31329601AS	CLAMP SET,INSULOK T-18S 100 PCS.
S3	31289111AS	CUPSCREW SET, M4*6 NI 100 PCS.
S4	31289109AS	CUPSCREW SET,M3*4 NI 100 PCS
S5	31289102AS	CUPSCREW SET,M3*6 NI 50 PCS.
S6	31149703AS	RING SET,E-RING ETW-4 100 PCS.
S7	31409702	SADDLE SET,LOCKING WIRE LES-1010 20P
S8	3000000560	SADDLE,LOCKING WIRE LWS-0711Z_TH
S8	31409801AS	SADDLE,LOCKING WIRE LWS-0711Z 20P
S9	31019116AS	SCREW SET,BINDING M3*6 3CBC 100 PCS
S10	31049171AS	SCREW SET,CAP M3*12 NI 50 PCS.
S11	31089110AS	SCREW SET,PAN M3*4 NI+PW 100 PCS
S12	31199701AS	SCREW SET,SET WP M3*3 NI 20 PCS
S13	31019703	SCREW,BINDING P-TIGHT M3*8 3C 100P
S14	3000000203	SET-SCREW,FP 3*8 NI SOFT LOCK

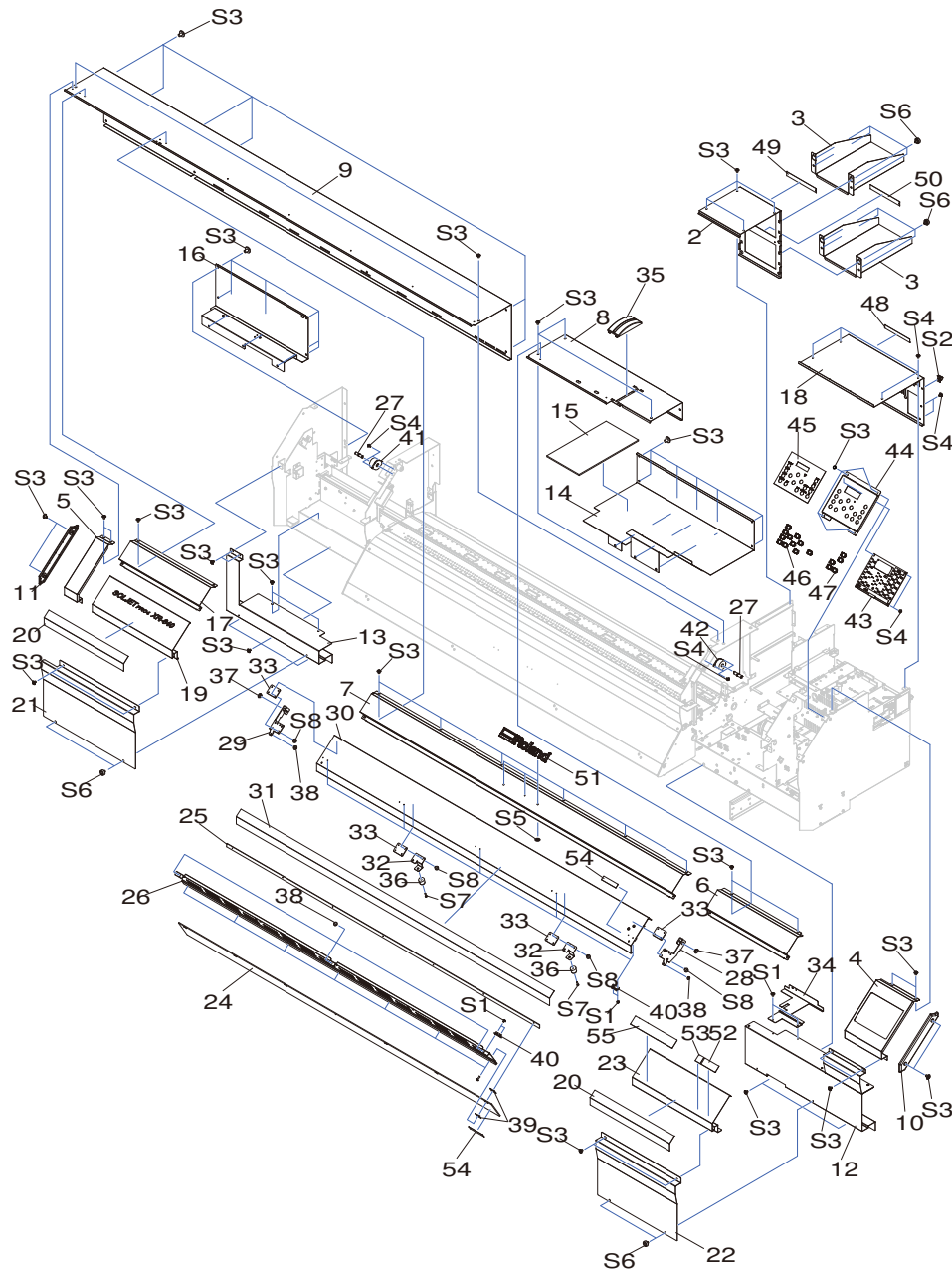


Pos	Code	Description
1	1000009724	INLET,5120.0007.0
2	W700311440	ASSY,AC JUNCTION BOARD XC-540
3	W702028260	ASSY,DC JUNCTION XR-640
4	6701778600	ASSY,HEAD BOARD FH-740
5	W701778410	ASSY,INK TANK BOARD FH-740
6	6702029000	ASSY,MAIN BOARD XR-640
7	6702028100	ASSY,SERVO BOARD XR-640
8	W702028240	ASSY,TU JUNCTION BOARD XR-640
9	W700311421	ASSY,HEATER BOARD XC-540
10	15009101	BATTERY CR2032
11	23475201	CABLE,CARD 6P1 255L BB FJ-540
12	1000009408	CABLE-ASSY,GND FH-740
13	1000009585	CABLE-ASSY,POWER-AC-JUNC XR-640
14	1000001688	CABLE-ASSY,HEAD FAN XC-540
15	1000008351	CABLE-ASSY,INK SERIAL LEF-12
16	1000009409	CABLE-ASSY,POWER-AC-DC FH-740
17	1000009406	CABLE-ASSY,POWER-AC-L FH-740
18	1000009407	CABLE-ASSY,POWER-AC-N FH-740
19	1000001674	CABLE-ASSY,POWER-DC-A XC-540
20	1000001673	CABLE-ASSY,POWER-DC-B XC-540
21	1000001675	CABLE-ASSY,POWER-HEAD XC-540
22	1000001676	CABLE-ASSY,POWER-SERVO XC-540
23	1000009586	CABLE-ASSY,POWER-DRYER XR-640
24	1000001677	CABLE-ASSY,POWER-HEATER XC-540
25	1000001681	CABLE-ASSY,HEATER SERIAL XC-540
26	1000001682	CABLE-ASSY,TU CONTROL XC-540
27	1000001704	CABLE-ASSY,POWER-TU XC-540
28	23505844	CABLE-ASSY CUT-CAR SENS CJ-540
29	1000000620	CABLE-CARD 26P1 950L BB HIGH-V
30	1000001900	CABLE-CARD,25P1 250L BB HIGH-V
31	23475196	CABLE CARD 24P1 850L BB FJ-540
32	1000009636	CHASSIS,XR-640
32	1000020344	CHASSIS,2 XR-640
33	1000006174	FAN,9A0624H414
34	1000002682	LABEL,LAN VP-540#LA964
35	22535117	LABEL,POWER CM-500 NO.893
36	1000007890	PLATE,FLEX CHASSIS LEJ-640
37	1000000538	POWER UNIT,ZWD225PAF-0524/J
38	1000000097	POWER UNIT,ZWS240PAF-36/J
38	1000019480	POWER UNIT,ZWS240BP-48(41)



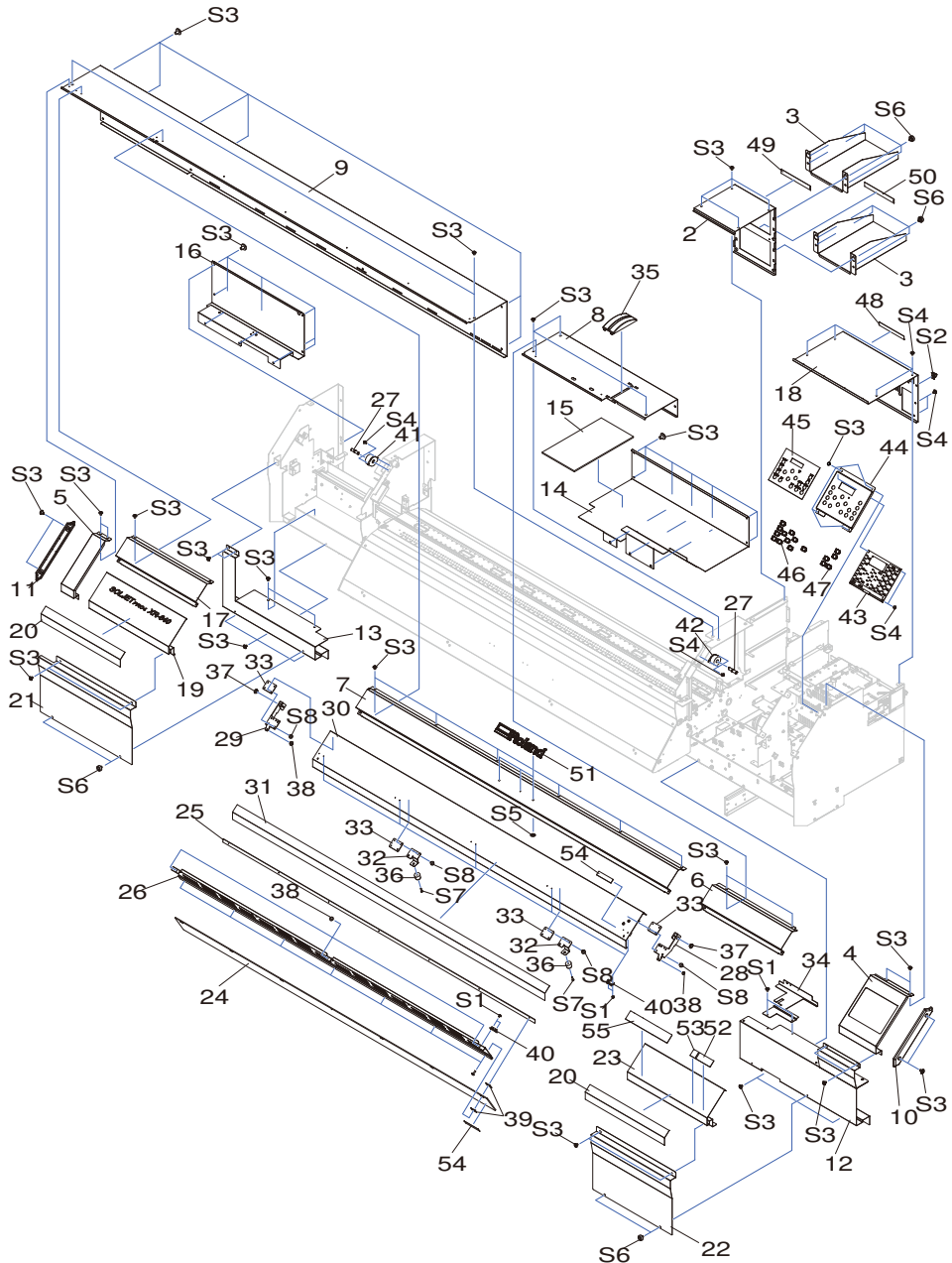
Pos	Code	Description
39	13129171	POWER-SW AJ8201B
40	1000009662	STAY,BOARD 2F XR-640
41	1000009656	STAY,BOARD 3F XR-640
41	1000010302	STAY,BOARD 3F XR-640_01
42	22715327	STAY,CHASSIS FAN FJ-540
43	1000009704	COVER,LAN XR-640
44	1000009833	PLATE,CHASSIS COVER XR-640
45	1000009787	COVER,CHASSIS XR-640
46	1000020302	BRACKET,PLATE D-30 SV
S1	31029101	BUSH,NB-19
S2	31029106	BUSH,SQUARE SB-6025
S3	31329601AS	CLAMP SET,INSULOK T-18S 100 PCS.
S4	31379101	CLAMP,FLAT CABLE FCS-50P
S5	3000000033	CLAMP,WIRE PLESS RFC-45VO
S6	31289102AS	CUPSCREW SET,M3*6 NI 50 PCS.
S7	31289109AS	CUPSCREW SET,M3*4 NI 100 PCS
S8	31279121	LABEL,FLASH-LIGHTING NO.E-582
S9	31279191	LABEL,WARNING FUSE REPLACE #347
S10	31409702	SADDLE SET,LOCKING WIRE LES-1010 20P
S11	31409811AS	SADDLE SET,LOCKING WIRE LWS-1211Z 20P
S12	3000000560	SADDLE,LOCKING WIRE LWS-0711Z_TH
S12	31409801AS	SADDLE,LOCKING WIRE LWS-0711Z 20P
S13	31019124	SCREW SET,BINDING M3*35 NI 50 PCS
S14	31289111AS	CUPSCREW SET, M4*6 NI 100 PCS.
S15	31089110AS	SCREW SET,PAN M3*4 NI+PW 100 PCS
S16	31329501AS	CLAMP SET,PUSH MOUNT RT30SSF5 20P
S17	31289107	CUPSCREW SET,M3*12 NI 100 PCS
S18	31129107AS	PIPE SET,POLYCA 3*6*5 50 PCS
S19	31289102AS	CUPSCREW SET,M3*6 NI 50 PCS.

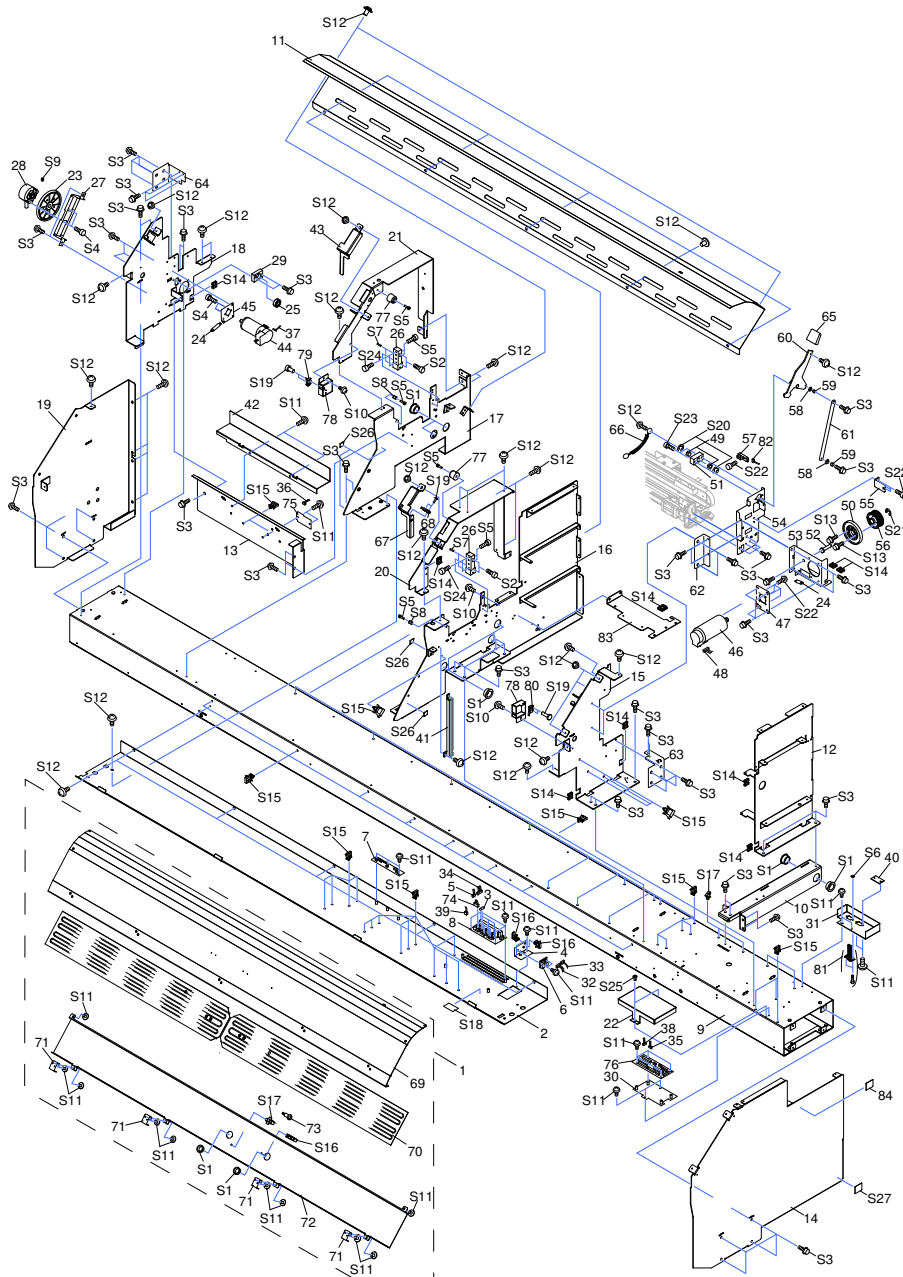




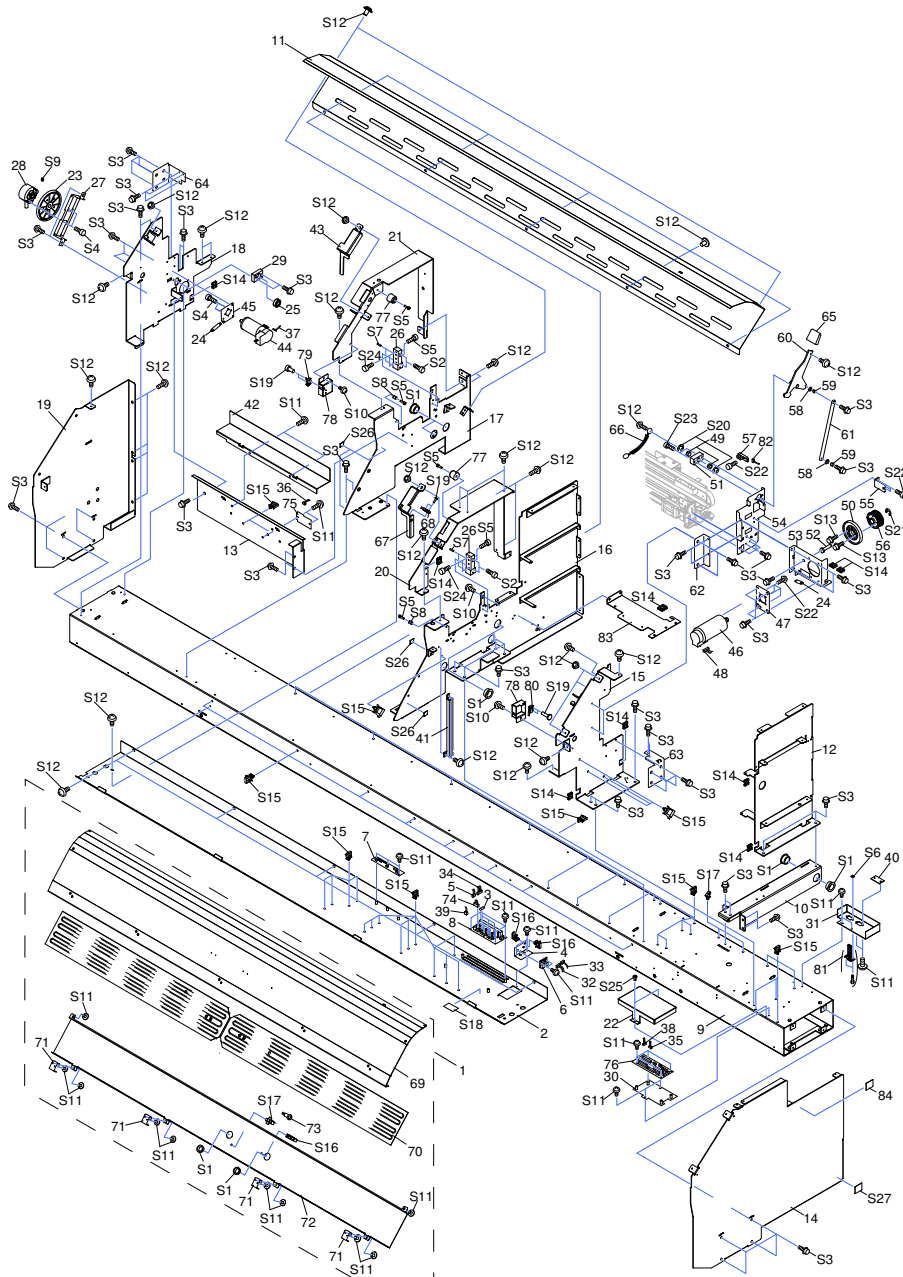
Pos	Code	Description
2	100009653	COVER,I/C HOLDER XR-640
3	100009654	COVER,440CC I/C XR-640
4	100009664	COVER,PANEL SUS XR-640
4	100018622	COVER,PANEL SUS 2 XR-640
5	100009665	COVER,L SUS XR-640
5	100018623	COVER,L SUS 2 XR-640
6	100009666	COVER,RAIL FRONT R XR-640
6	100018624	COVER,RAIL FRONT R 2 XR-640
7	100009667	COVER,RAIL FRONT M XR-640
7	100018625	COVER,RAIL FRONT M 2 XR-640
8	100009668	COVER,TOP R XR-640
9	100009669	COVER,RAIL XR-640
10	100009670	COVER,SIDE R XR-640
11	100009671	COVER,SIDE L XR-640
12	100009672	COVER,I-S R XR-640
13	100009674	COVER,I-S L XR-640
14	100009688	COVER,CHASSIS UNDER XR-640
15	100009692	PAD,I/C UNDER XR-640
16	100009693	COVER,BACK XR-640
17	100009706	COVER,RAIL FRONT L XR-640
17	100018626	COVER,RAIL FRONT L 2 XR-640
18	100009787	COVER,CHASSIS XR-640
19	100009707	COVER,FRONT L XR-640
20	100009709	PANEL,COVER FRONT SUS XR-640
20	100018627	PANEL,COVER FRONT SUS 2 XR-640
21	100009675	COVER,MAINTENANCE L XR-640
22	100009673	COVER,MAINTENANCE R XR-640
23	100009705	COVER,FRONT R XR-640
24	100009761	PLATE,COVER F XR-640
25	100009762	HOLDER,COVER F XR-640
26	100009763	COVER,F UNDER XR-640
27	100009772	SHAFT,COVER DAMPER XR-640
28	100009764	ARM,COVER F R XR-640
29	100009765	ARM,COVER F L XR-640
30	100009766	COVER,FRONT M XR-640
31	100009767	PANEL,COVER FRONT SUS M XR-640
31	100018628	PANEL,COVER FRONT SUS M 2 XR-640
32	100009768	STAY,F UNDER STOPPER XR-640
33	100009769	PLATE,ARM UNDER XR-640
34	100009013	COVER,WIPE SENSOR FH-740

Pos	Code	Description
35	100001600	ESCUTCHEON,XC-540
36	12359113	ABSORBER TK-2320
37	1000018503	BUSH,80F-1006
37	12159563	BUSH,80F-1006
38	12239406	CUSHION,TM-96-6
39	1000020064	WASHER,COVER FJ-50TH
39	21425110	WASHER,COVER FJ-50
40	22325106	HINGE,001
41	1000009770	DAMPER,OWHF-10-3.0NLW
42	1000009771	DAMPER,OWHF-10-3.0NRW
43	W702028270	ASSY,PANEL XR-640
44	1000001565	PLATE,COVER PANEL XC-540
45	1000001578	SHEET,PANEL XC-540
46	1000001029	KEY TOP,D14 DG AJ-1000
47	1000000111	KEY TOP,D14 WH AJ-1000
48	1000009754	LABEL,USE ECO-SOL MAX2#LA1407
49	1000009755	LABEL,SET INK 1 XR-640#LA1404
50	1000009756	LABEL,SET INK 2 XR-640#LA1405
51	1000000953	LABEL,EMBLEM LOGO ROLAND
52	1000004160	LABEL, REFLECTION XC-540#LA1041
53	1000003489	LABEL,MARK ECO#LA1014
54	1000009387	LABEL, WARNING CARRIAGE#LA1365
54	1000019933	LABEL, CAUTION CARRIAGE THA#LA3324
55	1000006358	LABEL,CAUTION LEC-330#LA1149
55	1000019934	LABEL, CAUTION LEC-330 THA#LA3325
S1	31289109AS	CUPSCREW SET,M3*4 NI 100 PCS
S2	31379111	CLAMP,CABLE CKS-13-H
S3	31289111AS	CUPSCREW SET, M4*6 NI 100 PCS.
S4	31289102AS	CUPSCREW SET,M3*6 NI 50 PCS.
S5	31149601	RING SET,PUSH-ON CS CSTW-3 100 PCS
S6	31139104	SCREW,PLAPOINT M4*6 BK FE
S7	31049174AS	SCREW SET,CAP M4*15 NI 20 PCS.
S8	31049169AS	SCREW SET,CAP M4*8 3CBC+PW 20PCS

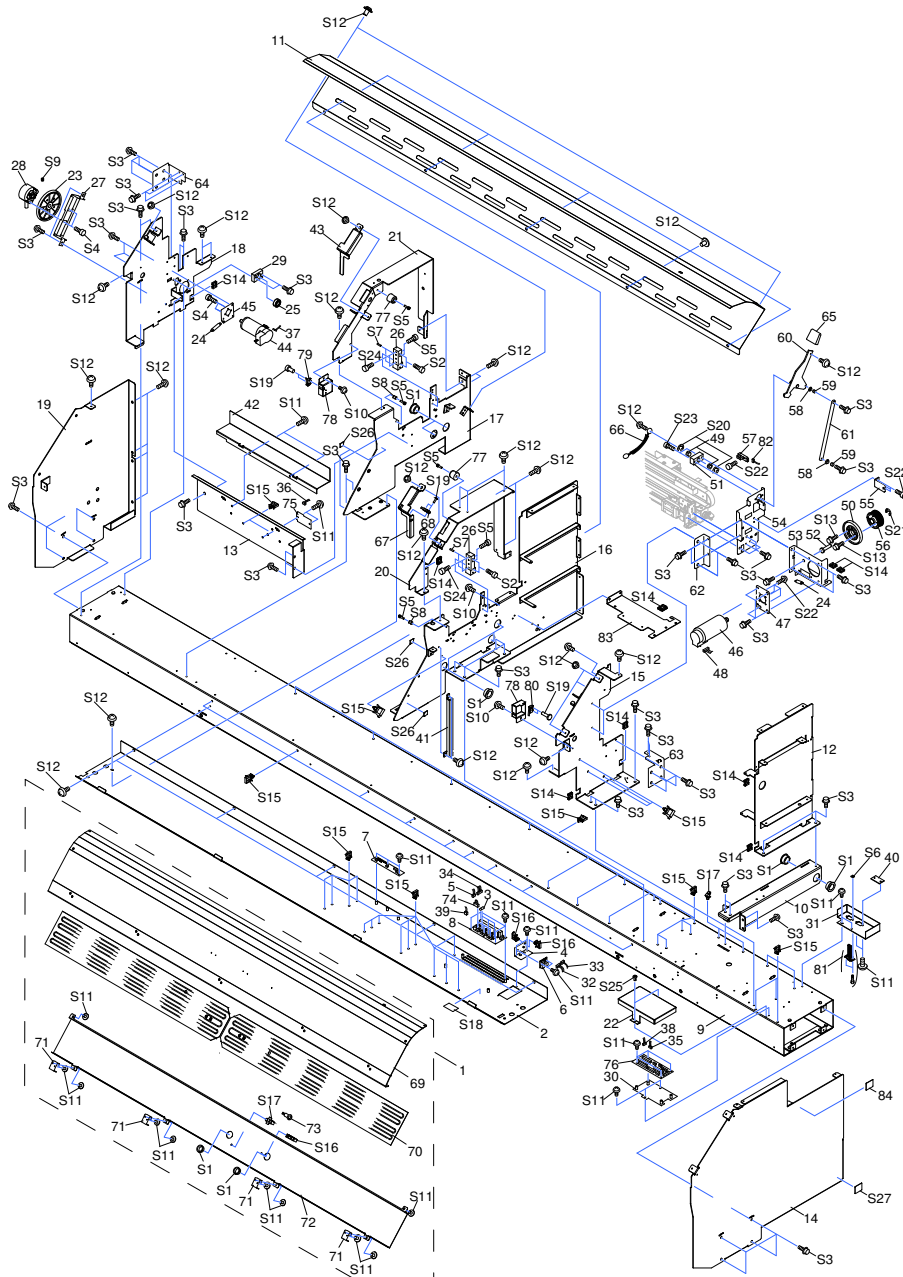




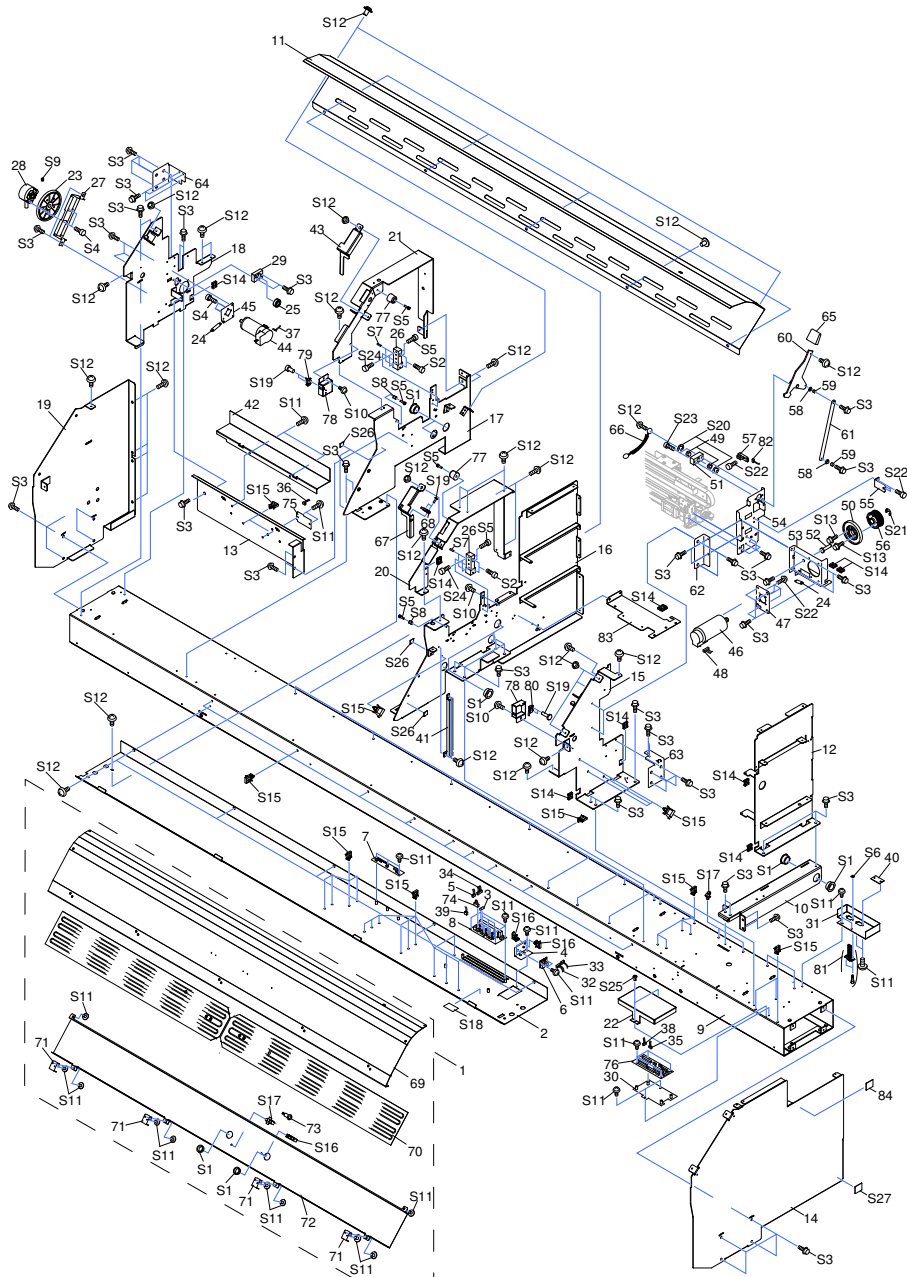
Pos	Code	Description
1	1000003674	ASSY,APRON F HEATER XJ-640
2	1000003675	APRON,F UNDER XJ-640
3	12559105	FUSE,5X20 021706.3MXP 6.3A/250V
4	1000001599	STAY,EXT JB XC-540
5	1000001708	CABLE-ASSY,THERM JUNCTION XC-540
6	6700311300	ASSY,EXT JUNCTION BOARD 2 XC-540
7	W700311430	ASSY,THERMISTOR JUNC BOARD XC-540
8	W700311411	ASSY,HEATER CONTROL BOARD XC-540
9	1000009637	BASE,BOTTOM XR-640
10	1000009639	STAY,FRAME I/C XR-640
11	1000009650	APRON,B XR-640
12	1000009652	FRAME,INKCARTRIDGE STAY XR-640
13	1000009661	PLATE,AUTOCUT JOINT XR-640
14	1000009679	FRAME,SIDE R XR-640
15	1000010542	FRAME,SCAN MOTOR XR-640_01
16	1000009681	FRAME,MIDDLE R XR-640
17	1000009682	FRAME,MIDDLE L XR-640
18	1000010543	FRAME,FEED MOTOR XR-640_01
19	1000009684	FRAME,SIDE L XR-640
20	1000009685	SUPPORT,FRAME R XR-640
21	1000009686	SUPPORT,FRAME L XR-640
22	1000009703	COVER,MOTOSENS XR-640
23	21685128	GEAR H300 S10(B6C16POM)
24	22175157	SPRING,C P-ROLLER CM-500
25	22175870	BEARING 10-19ZZ
26	22355808	BASE,RAIL CJ-540
27	22715466	STAY,FA-CODER SP-540V
28	25095120	GRIT ENCODER TS5217N561 FJ-540
29	1000001444	HOUSING,R-BEARING FRAME XC-540
30	1000001562	STAY,MOTOSENS XC-540
31	1000001598	STAY,D-SUB CONNECTOR XC-540
31	1000020286	STAY,D-SUB CONNECTOR LEC-330
32	1000001678	CABLE-ASSY,OP.DRYER CONTROL XC-540
33	1000001679	CABLE-ASSY,POWER-BLOWER XC-540
34	1000001680	CABLE-ASSY,HEATER CONTROL XC-540
35	1000001689	CABLE-ASSY,3-COVER SW XC-540
36	1000003700	CABLE-ASSY,G-ENCODER XJ-640
37	1000003701	CABLE-ASSY,FEED-M XJ-640
38	1000003702	CABLE-ASSY,SW JUNCTION XJ-640
39	1000003707	CABLE-ASSY,HEATER XJ-740



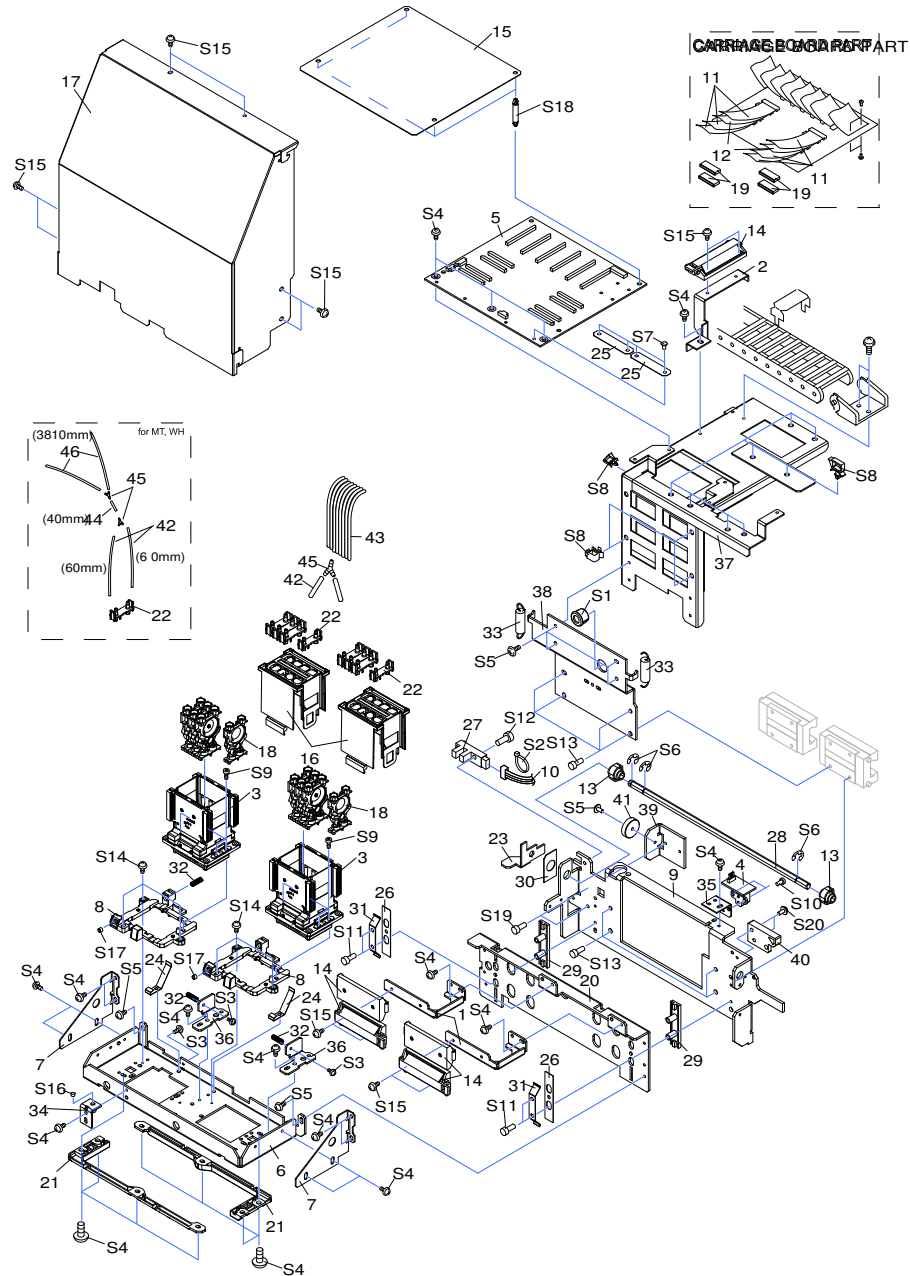
Pos	Code	Description
40	1000004917	STAY,D-SUB CONNECTOR LEC-300
41	1000009760	COVER,INT SW CODE XR-640
42	1000009788	COVER,FEED MOTOR XR-640
43	1000009810	GUIDE,U PLATE XR-640
44	6700319020	ASSY,FEED MOTOR XC-540
45	21995124	FLANGE,MOTOR FEED FJ-540
46	6700049030	ASSY,SCAN MOTOR SJ-1045EX
47	1000001559	FLANGE,MOTOR SCAN XC-540
48	1000003930	CABLE-ASSY,SCAN-M XC-540_01
49	1000018503	BUSH,80F-1006
49	12159563	BUSH,80F-1006
50	21685149	GEAR,H235S20(B8)T2
51	22035161	STAND,LEVER FJ-500
52	1000001480	SHAFT,DRIVE PULLEY XC-540
53	1000001513	BASE,SCAN MOTOR XC-540
54	1000001514	FRAME,DRIVE PULLEY XC-540
55	1000001569	STAY,SHAFT PULLEY XC-540
56	6700319030	ASSY,PULLEY XC-540
57	1000006689	SENSOR-INTERRUPTER,EE-SX4009-P1
58	1000018512	BUSH,80F-0603
58	12159573	BUSH,80F-0603
59	1000012953	COLLAR,LEVER FJ-540
59	21745109	COLLAR,LEVER FJ-540
60	1000001536	LEVER,CAM PINCH XC-540
61	1000001537	PLATE,LEVER LINK XC-540
62	1000001557	STAY,FRAME SCAN MOTOR XC-540
63	1000001563	STAY,RAIL GUIDE R XC-540
64	1000001564	STAY,RAIL GUIDE L XC-540
65	1000001601	KNOB,XC-540
65	1000015118	KNOB,XC-540_01
66	1000009107	CABLE-ASSY,ESD LEJ-640
67	1000009690	COVER,INT SW XR-640
68	1000009577	CABLE-ASSY,F-COVER SW XR-640
69	1000004063	APRON,FRONT XJ-640
70	1000004079	DRYER,HEATER XJ-640
71	1000002468	PLATE,APRON F BACK XC-540
72	1000004064	PLATE,HEATER COVER XJ-640
73	1000004077	THERMISTOR 103AT2 L700 XJ-740
74	1000004056	CABLE-ASSY,230V SELECTOR XJ-740
74	1000004057	CABLE-ASSY,117V SELECTOR XJ-740



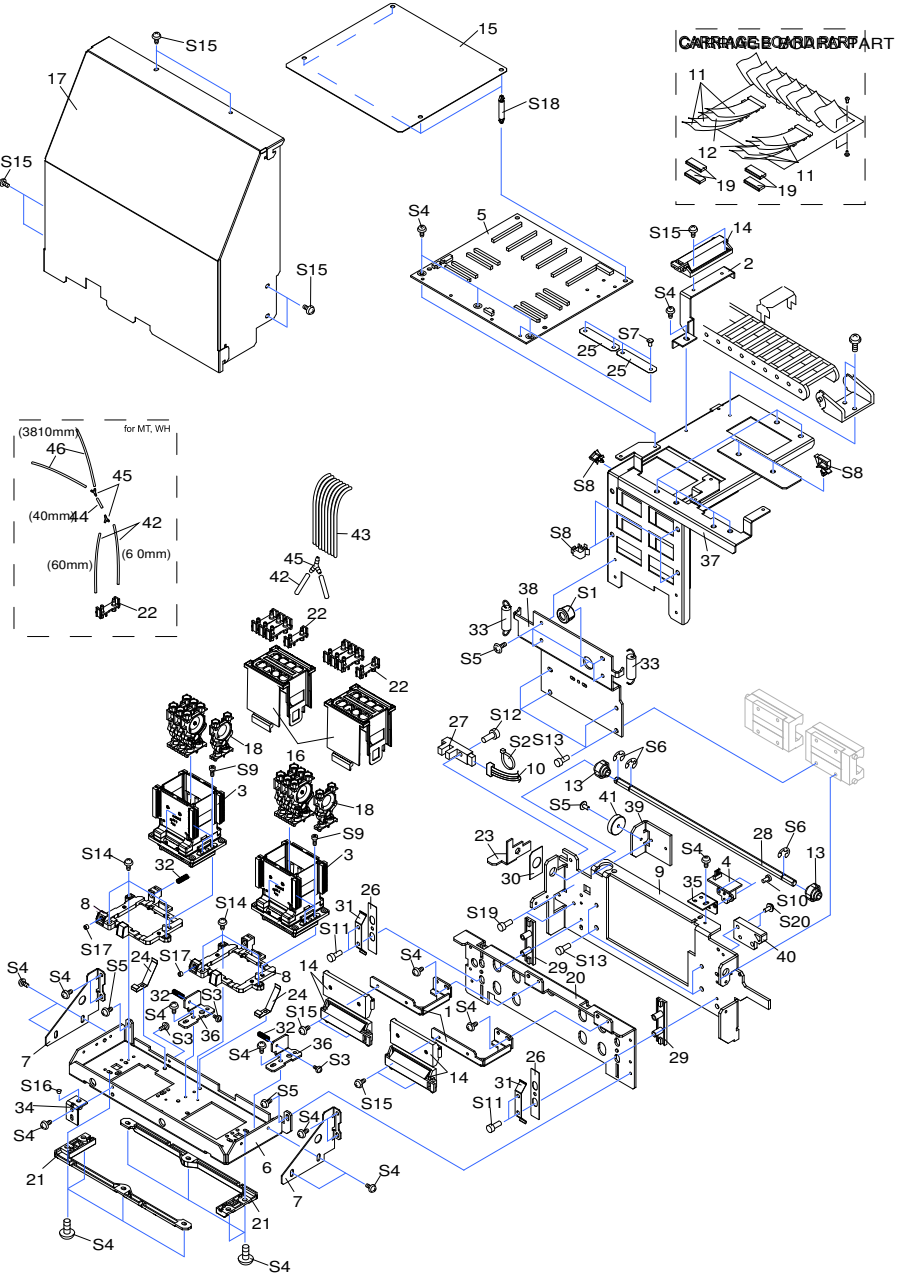
Pos	Code	Description
75	W700311391	ASSY,GRIT ENCODER BOARD XC-540
75	W700731390	ASSY,GRIT ENCODER BOARD XJ-740
75	W701778210	ASSY,GRIT ENCODER BOARD FH-740
75	W702028290	ASSY,GRIT ENCODER BOARD XR-640
76	W7020282A0	ASSY,MOTSSENS JUNCTION XR-640
77	12359113	ABSORBER TK-2320
78	1000010544	COVER,I-S SW XR-640_01
79	1000009579	CABLE-ASSY,M-COVER SW XR-640
80	1000001702	CABLE-ASSY,M-COVER SW XC-540
81	1000001706	CABLE-ASSY,TU IF INT XC-540
82	1000006942	CABLE-ASSY,PINCH SENS LEC-540
83	1000009638	STAY,CHOKE VALVE XR-640
84	1000013174	LABEL, INDONESIA JPN#LA2043(for Indonesia only)
S1	31029101	BUSH,NB-19
S2	3000000423	CAP-SCREW,4*25 3CBC 100PCS
S2	31049137AS	SCREW SET,CAP M4*25 3CBC 20 PCS
S3	31049169AS	SCREW SET,CAP M4*8 3CBC+PW 20PCS
S4	31049170AS	SCREW SET,CAP M3*8 NI 50 PCS.
S5	31049174AS	SCREW SET,CAP M4*15 NI 20 PCS.
S6	31109601	NUT SET,SQUARE M3*6*1.6 FE NI 100PCS
S7	31119904	PIN,SPRING 2.5*8 SUS STRAIGHT 50 PCS
S8	31129102	PIPE SET,POLYCA 4*8*10 20PCS
S9	31199701AS	SCREW SET,SET WP M3*3 NI 20 PCS
S10	31289102AS	CUPSCREW SET,M3*6 NI 50 PCS.
S11	31289109AS	CUPSCREW SET,M3*4 NI 100 PCS
S12	31289111AS	CUPSCREW SET, M4*6 NI 100 PCS.
S13	31289112AS	CUPSCREW SET,M3*10 NI 100 PCS.
S14	31409702	SADDLE SET,LOCKING WIRE LES-1010 20P
S15	31409811AS	SADDLE SET,LOCKING WIRE LWS-1211Z 20P
S16	3000000560	SADDLE,LOCKING WIRE LWS-0711Z_TH
S16	31409801AS	SADDLE,LOCKING WIRE LWS-0711Z 20P
S17	31329501AS	CLAMP SET,PUSH MOUNT RT30SSF5 20P
S18	31279191	LABEL,WARNING FUSE REPLACE #347
S19	31019149	SCREW SET,BINDING M2.3*8 3CBC 100PCS
S20	3000000558	RING,E ETW-7 SUS_TH
S20	31149705	RING SET,E-RING ETW-7 SUS 50PCS
S21	31149704AS	RING SET,E-RING ETW-6 SUS 100 PCS
S22	31049173AS	SCREW SET,CAP M4*10 NI 50 PCS.
S23	31049175AS	SCREW SET,CAP M4*20 NI 20 PCS.
S24	3000000198	SOCKET,FLANGE 4*15 NI



Pos	Code	Description
S25	31299102AS	RIVET SET,NYLON P2655B 20 PCS.
S26	31279106	LABEL,CAUTION HOT SURF NO.778
S27	31279121	LABEL,FLASH-LIGHTING NO.E-582

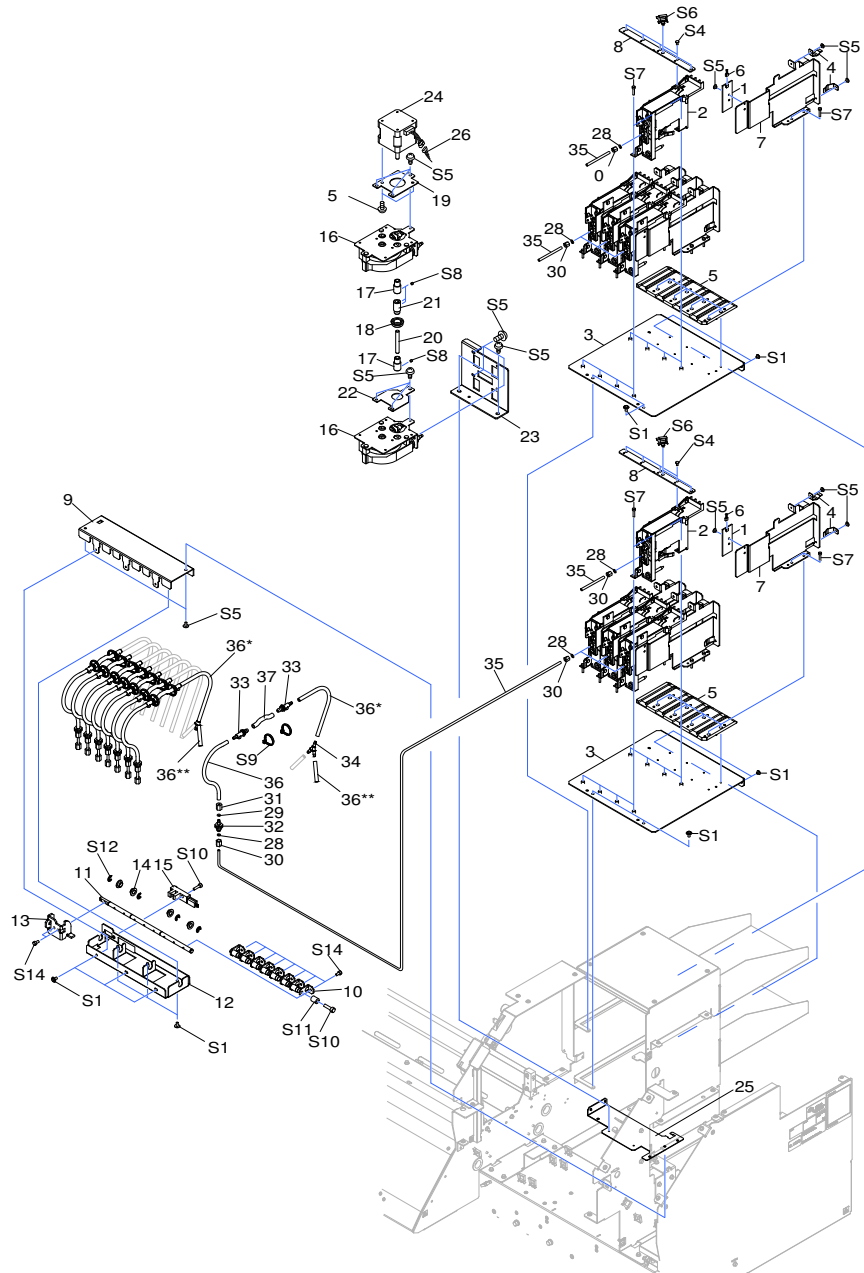


Pos	Code	Description
1	1000009782	ADAPTER,FLEX HEAD XR-640
2	1000001550	ADAPTER,STAY HOLDER XC-540
3	6701409010	ASSY,HEAD INKJET VS-640
4	W700311380	ASSY,LINEAR ENCODER BOARD XC-540
4	W702028280	ASSY,LINEAR ENCODER XR-640
5	W702028210	ASSY,PRINT CARRIAGE XR-640
6	1000009781	BASE,CARRIAGE AL XR-640
7	1000009784	BASE,CARRIAGE SIDE AL XR-640
8	1000008922	BASE,HEAD FH-740
9	1000009641	BASE,HOLDER CARRIGE XR-640
10	1000008942	CABLE-ASSY,HEAD U/D SENS FH-740
11	1000008944	CABLE-CARD,29P1 430L BB HIGH-V
12	1000008945	CABLE-CARD,29P1 430L BBR HIGH-V
13	1000015115	CAM,CARRIAGE FJ-540_02
13	21775103	CAM,CARRIAGE FJ-540
14	11769118	CLAMP,FCM2-S6-14
15	1000009004	COVER,CARRIAGE BOARD FH-740
16	1000006528	COVER,HEAD INKJET VS-640
17	1000009804	COVER,PRINT CARRIAGE XR-640
17	1000013796	COVER,PRINT CARRIAGE XR-640_01
18	1000013784	DAMPER,INK IHP XR-640
18	1000016472	DAMPER,INK IHP2 XR-640
19	12399351	FILTER(E) FRC-40-12-6.5 FJ-540
20	1000009783	FRAME,CARRIAGE U/D XR-640
21	1000008923	GUIDE,CARRIAGE CAP FH-740
22	1000006529	JOINT,HEAD VS-640
23	1000002587	LEVER,CARRIAGE VP-540
23	1000016620	LEVER,CARRIAGE VP-540_02
24	1000006531	PLATE,GND VS-640
25	1000009005	PLATE,HOLD FLEX FH-740
26	22055548	PLATE,SLIDER CARRIAGE FJ-540
27	1000006689	SENSOR-INTERRUPTER,EE-SX4009-P1
28	1000008974	SHAFT,HEXAGON CARRIAGE FH-740
29	1000015113	SLIDER,CARRIAGE FJ-540_02
29	22185127	SLIDER,CARRIAGE FJ-540
30	1000002623	SPACER,U/D LEVER VP-540
31	22175159	SPRING,CARRIAGE SIDE FJ-50
32	22175520	SPRING,HEAD ADJUST 500 FJ-540
33	22625109	SPRING,PULL CARRIAGE 3500 FJ-540
34	1000008997	STAY,ALIGN HEAD FH-740

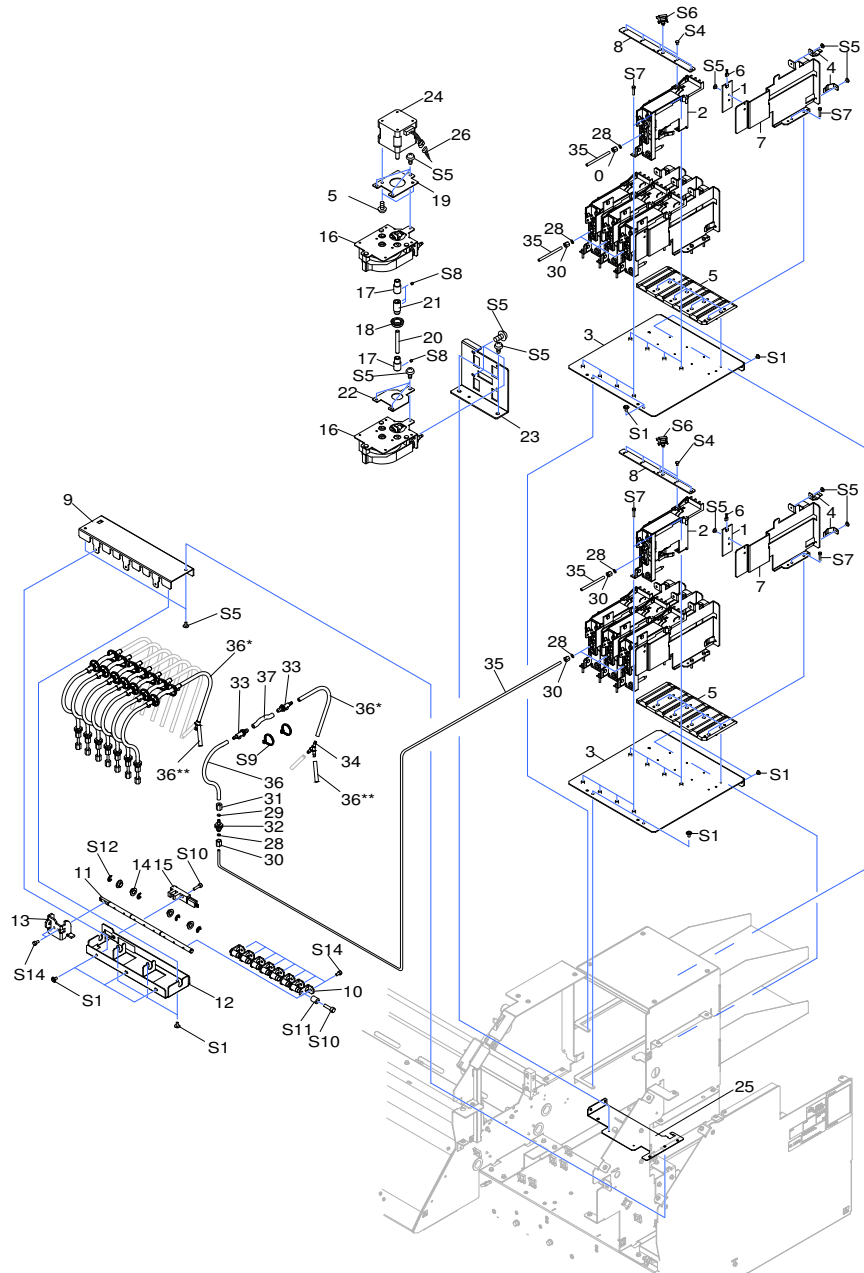


Pos	Code	Description
35	1000000417	STAY,ENCORDER SENSOR SP-540V
36	1000009054	STAY,HEAD SPRING FH-740
37	1000008976	STAY,HOLDER CARRIAGE BOARD FH-740
38	1000008966	SUPPORT,CARRIAGE BOARD FH-740
39	1000009640	ADAPTER,CARRIGE L XR-640
40	21345105	LOCK,CJ-500
41	1000011928	MAGNET,SMF-2144
41	22395112	MAGNET,CJ-540
42	1000000406	ASSY,TUBING 3*300MM IS-1000
43	1000009698	ASSY,TUBING 3*3770MM XR-640
44	1000004121	ASSY,TUBING 3*95MM BU-1
45	1000002679	ADAPTER,JUNCTION VPY306
46	1000010268	ASSY,TUBING 3*3810MM
S1	31029105	BUSH,NB-8
S2	31329601AS	CLAMP SET,INSULOK T-18S 100 PCS.
S3	31289108AS	CUPSCREW SET, M3*8 NI 100 PCS.
S4	31289109AS	CUPSCREW SET,M3*4 NI 100 PCS
S5	31289102AS	CUPSCREW SET,M3*6 NI 50 PCS.
S6	31149703AS	RING SET,E-RING ETW-4 100 PCS.
S7	31299102AS	RIVET SET,NYLON P2655B 20 PCS.
S8	31409801AS	SADDLE,LOCKING WIRE LWS-0711Z 20P
S9	31679902AS	SCREW SET C-SEMS M2*8 NI 100 PCS
S10	31019148AS	SCREW SET,BINDING M2.6*4 NI 100 PCS
S11	31799103	SCREW SET,CAP M3*15 NI 20PCS
S12	31049173AS	SCREW SET,CAP M4*10 NI 50 PCS.
S13	31049169AS	SCREW SET,CAP M4*8 3CBC+PW 20PCS
S14	31089121AS	SCREW SET,PAN M2.3*8 NI+PW 100PCS
S15	31089110AS	SCREW SET,PAN M3*4 NI+PW 100 PCS
S16	31199905AS	SCRW SET,SET CONE M3*16 NI 20 PCS
S17	31199902	SCREW,SET MARUSAKI M3*8 NI
S18	3000000032	SPACER,WPCS-19S-4.0
S19	31049142AS	SCREW SET,CAP M3*6 NI MEC 20 PCS
S20	31239125AS	SCREW SET,W-SEMS M3*8 SUS 50 PCS.

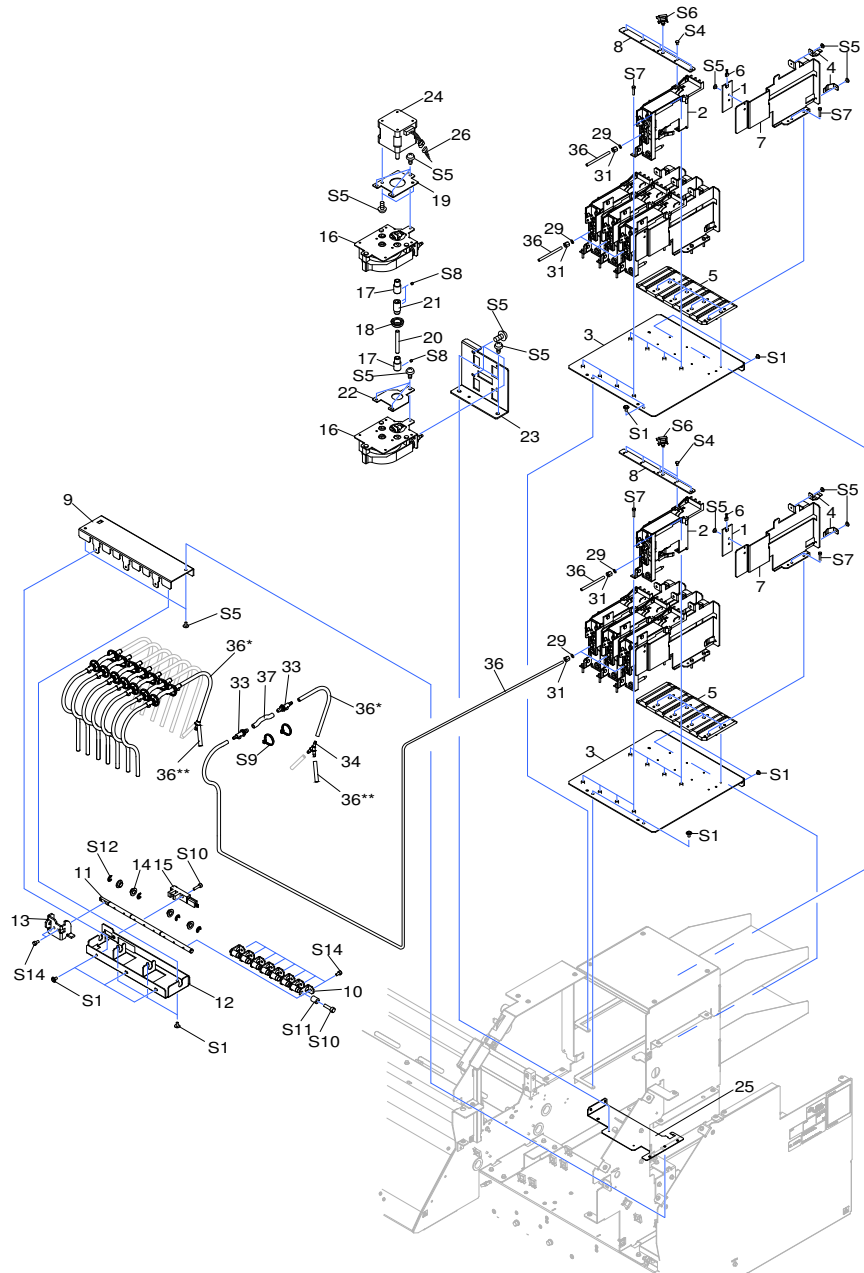




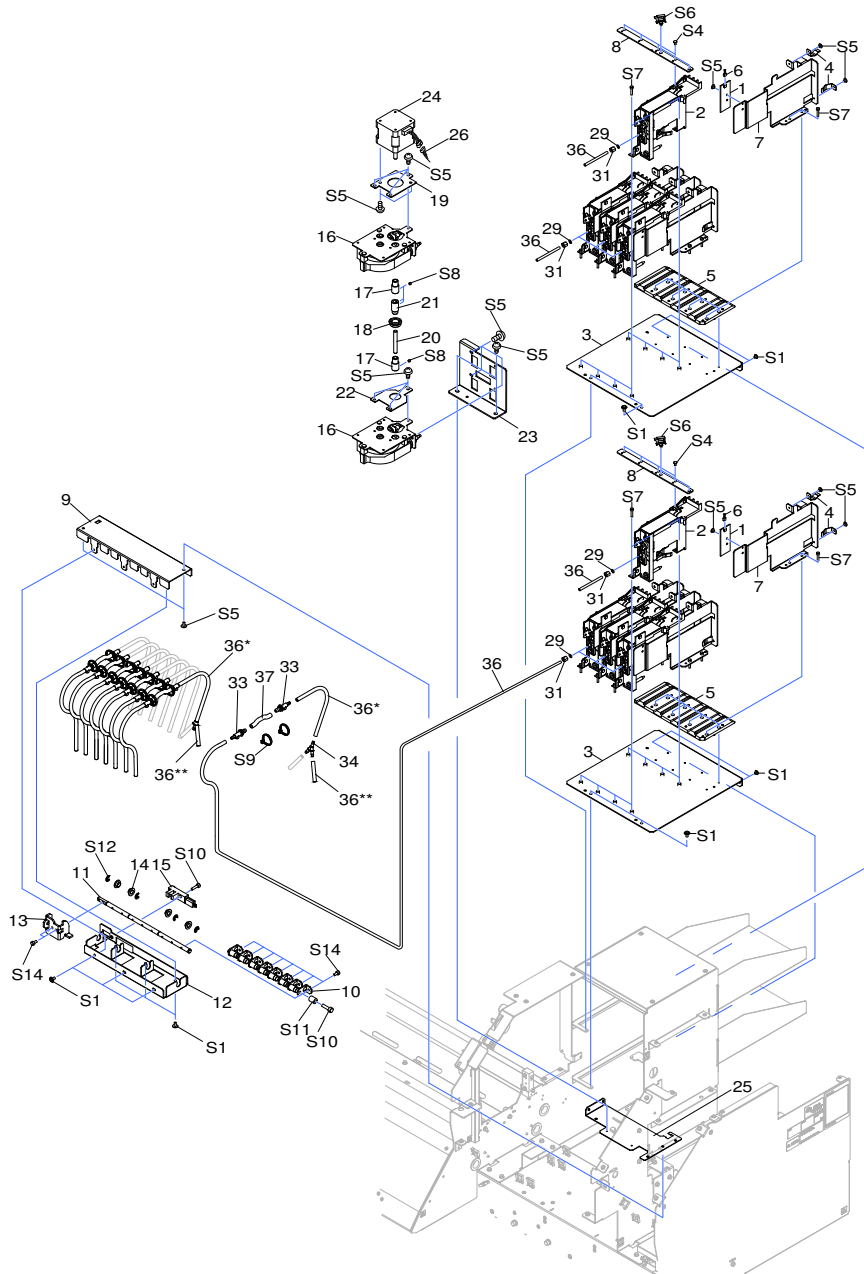
Pos	Code	Description
1	W700311520	ASSY,CARTRIDGE IC BOARD XC-540
1	W700900130	ASSY,CARTRIDGE IC LEC-300
1	W701778420	ASSY,CARTRIDGE IC BOARD FH-740
2	6700980300	ASSY,HOLDER I/C RS-540
3	1000009254	BASE,INKCARTRIDGE2 FH-740
4	22625103	SPRING,PRESS CARTRIDGE SP-300
5	1000008566	PLATE,IC VS-640
6	1000008940	CABLE-ASSY,CARTRIDGE IC FH-740
7	1000009012	PLATE,HOLDER IC FH-740
8	1000009045	PLATE,INK JOINT FH-740
9	1000006908	STAY,TUBE VALVE VS-640
10	1000006909	ARM,TUBE VALVE VS-640
11	1000006910	SHAFT,TUBE VALVE VS-640
12	1000006932	SUPPORT,TUBE VALVE VS-640
12	1000011852	SUPPORT,TUBE VALVE 2 VS-640
13	1000006911	LEVER,TUBE VALVE VS-640
14	1000018512	BUSH,80F-0603
14	12159573	BUSH,80F-0603
15	1000006689	SENSOR-INTERRUPTER,EE-SX4009-P1
16	6701219010	ASSY,CIRCULATING PUMP LEC-330
17	1000012988	GEAR,S10B20
17	21685122	GEAR,S10S20
18	22175815	BEARING F8-16ZZ
19	1000001585	PLATE,P-MOTOR XC-540
19	1000020054	PLATE,P-MOTOR XC-540TH
20	1000002563	SHAFT,PUMP VP-540
21	1000002564	COUPLING,PUMP VP-540
22	1000002595	PLATE,P-BEARING VP-540
23	1000006201	STAY,PUMP ASSY LEC-330
24	1000007733	MOTOR,XS-5208-064
24	1000018514	MOTOR,103-5208-85542
25	1000009638	STAY,CHOKE VALVE XR-640
26	1000009578	CABLE-ASSY,PUMP-M XR-640
28	11659149	HOLDER,RING O 2FAI FJ-50
29	11659249	HOLDER,RING O 3FAI FJ-540
30	11909133	ADAPTER,SCREW 2FAI FJ-50
31	11909167	ADAPTER,SCREW 3FAI FJ-540
32	1000001589	ADAPTER,TUBE 2-3FAI XC-540
33	1000006327	ADAPTER,TUBE 3-4 LEC-330
33	1000015119	ADAPTER,TUBE 3-4 LEC-330_01



Pos	Code	Description
34	1000002679	ADAPTER,JUNCTION VPY306
35	22805572	ASSY,TUBING 2*80MM SP-540V
36	1000002756	ASSY,TUBING 3*610MM FP-740
37	1000007022	ASSY,TUBING 6*42MM VS-640
S1	31289102AS	CUPSCREW SET,M3*6 NI 50 PCS.
S2	31409702	SADDLE SET,LOCKING WIRE LES-1010 20P
S3	31019703	SCREW,BINDING P-TIGHT M3*8 3C 100P
S4	31019801	SCREW,BINDING S-TIGHT M3*6 3C 100PCS
S5	31289109AS	CUPSCREW SET,M3*4 NI 100 PCS
S6	3000000560	SADDLE,LOCKING WIRE LWS-0711Z_TH
S6	31409801AS	SADDLE,LOCKING WIRE LWS-0711Z 20P
S7	31289112AS	CUPSCREW SET,M3*10 NI 100 PCS.
S8	31199701AS	SCREW SET,SET WP M3*3 NI 20 PCS
S9	31329601AS	CLAMP SET,INSULOK T-18S 100 PCS.
S10	31049174AS	SCREW SET,CAP M4*15 NI 20 PCS.
S11	31129102	PIPE SET,POLYCA 4*8*10 20PCS
S12	31149703AS	RING SET,E-RING ETW-4 100 PCS.
S13	31049171AS	SCREW SET,CAP M3*12 NI 50 PCS.
S14	31049142AS	SCREW SET,CAP M3*6 NI MEC 20 PCS

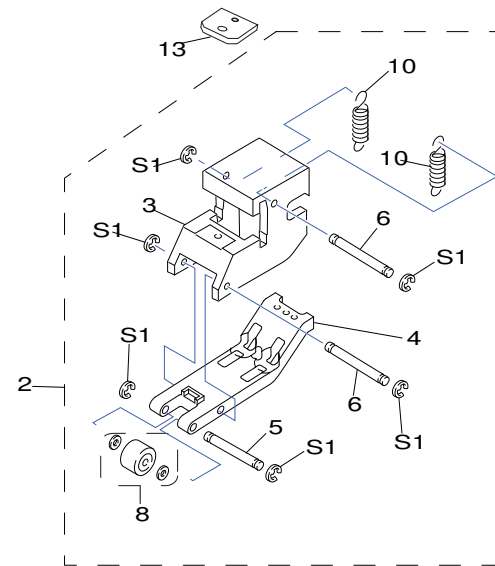
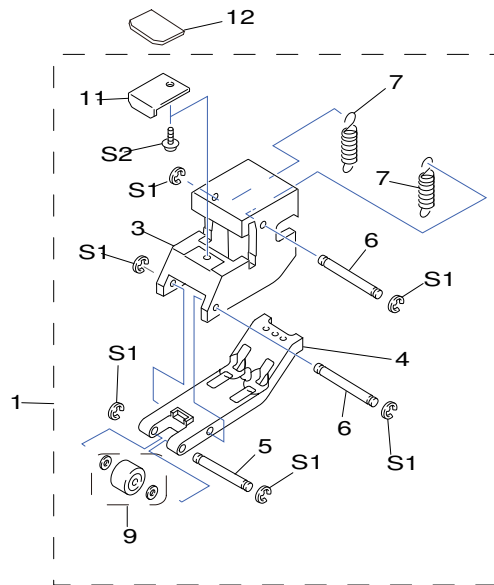


Pos	Code	Description
1	W700311520	ASSY,CARTRIDGE IC BOARD XC-540
1	W700900130	ASSY,CARTRIDGE IC LEC-300
1	W701778420	ASSY,CARTRIDGE IC BOARD FH-740
2	6702450280	ASSY,HOLDER I/C LEF-20
3	1000009254	BASE,INKCARTRIDGE2 FH-740
4	22625103	SPRING,PRESS CARTRIDGE SP-300
5	1000008566	PLATE,IC VS-640
6	1000008940	CABLE-ASSY,CARTRIDGE IC FH-740
7	1000009012	PLATE,HOLDER IC FH-740
8	1000009045	PLATE,INK JOINT FH-740
9	1000006908	STAY,TUBE VALVE VS-640
10	1000006909	ARM,TUBE VALVE VS-640
11	1000006910	SHAFT,TUBE VALVE VS-640
12	1000006932	SUPPORT,TUBE VALVE VS-640
12	1000011852	SUPPORT,TUBE VALVE 2 VS-640
13	1000006911	LEVER,TUBE VALVE VS-640
14	1000018512	BUSH,80F-0603
14	12159573	BUSH,80F-0603
15	1000006689	SENSOR-INTERRUPTER,EE-SX4009-P1
16	6701219010	ASSY,CIRCULATING PUMP LEC-330
17	1000012988	GEAR,S10B20
17	21685122	GEAR,S10S20
18	22175815	BEARING F8-16ZZ
19	1000001585	PLATE,P-MOTOR XC-540
19	1000020054	PLATE,P-MOTOR XC-540TH
20	1000002563	SHAFT,PUMP VP-540
21	1000002564	COUPLING,PUMP VP-540
22	1000002595	PLATE,P-BEARING VP-540
23	1000006201	STAY,PUMP ASSY LEC-330
24	1000007733	MOTOR,XS-5208-064
24	1000018514	MOTOR,103-5208-85542
25	1000009638	STAY,CHOKE VALVE XR-640
26	1000009578	CABLE-ASSY,PUMP-M XR-640
29	11659249	HOLDER,RING O 3FAI FJ-540
31	11909167	ADAPTER,SCREW 3FAI FJ-540
33	1000006327	ADAPTER,TUBE 3-4 LEC-330
33	1000015119	ADAPTER,TUBE 3-4 LEC-330_01
34	1000002679	ADAPTER,JUNCTION VPY306
36	22805578	ASSY,TUBING 3*1000MM SP-540V
37	1000007022	ASSY,TUBING 6*42MM VS-640

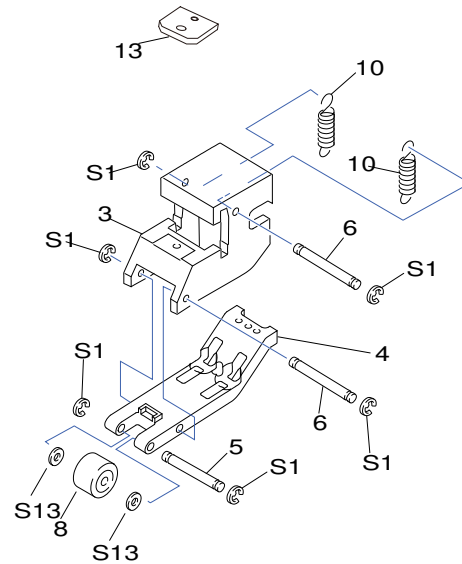
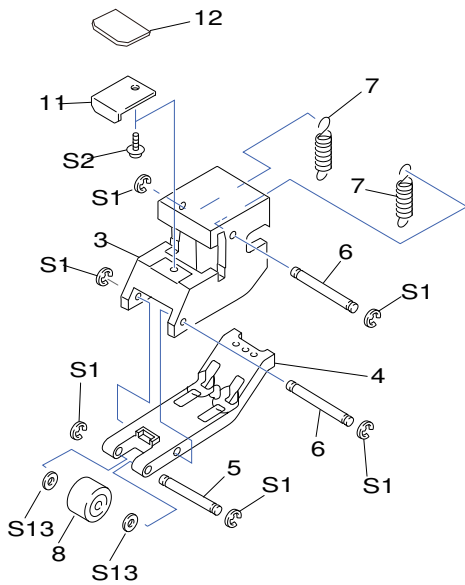


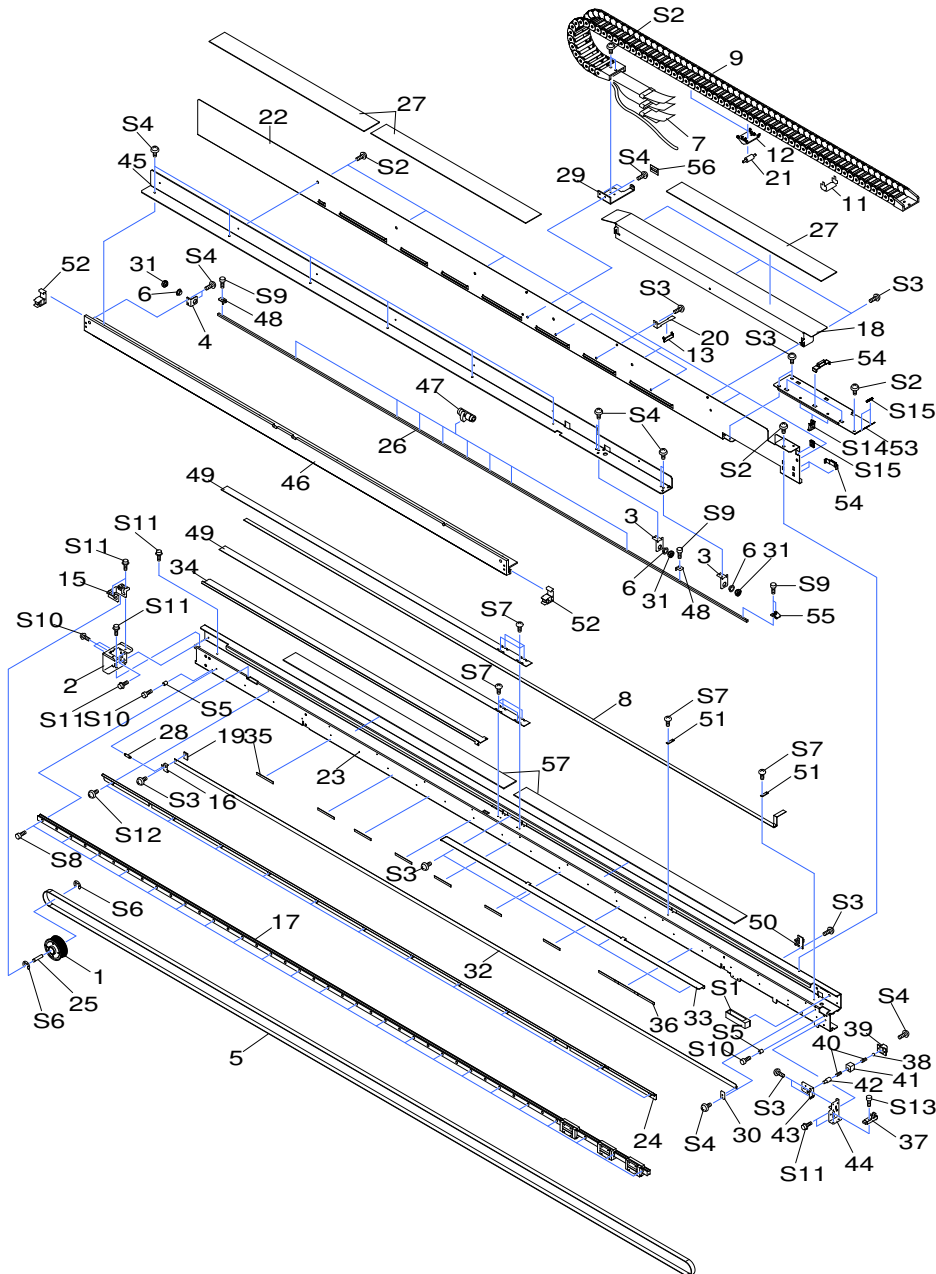
Pos	Code	Description
S1	31289102AS	CUPSCREW SET,M3*6 NI 50 PCS.
S2	31409702	SADDLE SET,LOCKING WIRE LES-1010 20P
S3	31019703	SCREW,BINDING P-TIGHT M3*8 3C 100P
S4	31019801	SCREW,BINDING S-TIGHT M3*6 3C 100PCS
S5	31289109AS	CUPSCREW SET,M3*4 NI 100 PCS
S6	3000000560	SADDLE,LOCKING WIRE LWS-0711Z_TH
S6	31409801AS	SADDLE,LOCKING WIRE LWS-0711Z 20P
S7	31289112AS	CUPSCREW SET,M3*10 NI 100 PCS.
S8	31199701AS	SCREW SET,SET WP M3*3 NI 20 PCS
S9	31329601AS	CLAMP SET,INSULOK T-18S 100 PCS.
S10	31049174AS	SCREW SET,CAP M4*15 NI 20 PCS.
S11	31129102	PIPE SET,POLYCA 4*8*10 20PCS
S12	31149703AS	RING SET,E-RING ETW-4 100 PCS.
S14	31049142AS	SCREW SET,CAP M3*6 NI MEC 20 PCS

Pos	Code	Description
1	22805483	CJ-540 PINCH ROLLER L ASSY
2	22805482	CJ-540 PINCH ROLLER C ASSY
3	22115765	FRAME,P-ROLLER CJ-500
4	22145458	LEVER,P-ROLLER CJ-540
5	1000020050	SHAFT,1 GRX-400TH
5	22145831	PIN NO.1 (214-831)
6	1000020051	SHAFT,2 GRX-400TH
6	22145832	PIN NO.2 214-832
7	22175105	PINCH ROLL SPRING
8	21565103	P-ROLLER FD16S4(B10) TYPE2
8	6000003823	ASSY,P-ROLLER FD16S4(B10) TYPE 2_01
9	21565102	P-ROLLER TD16S4(B10) TYPE2
9	6000003824	ASSY,P-ROLLER TD16S4(B10) TYPE 2_01
10	22175157	SPRING,C P-ROLLER CM-500
11	22715332	STAY,SENSOR P-ROLLER CJ-540
12	1000015280	PLATE,P-ROLLER t1.0 XR-640
13	1000015281	PLATE,P-ROLLER t2.6 XR-640
S1	31149702AS	RING SET,E-RING ETW-3 100 PCS.
S2	31239102AS	SCREW SET,W-SEMS M3*8 3CBC 100 PCS
S3	31249211AS	WASHER SET,PLAIN 4.3*7*0.5 NI 100P

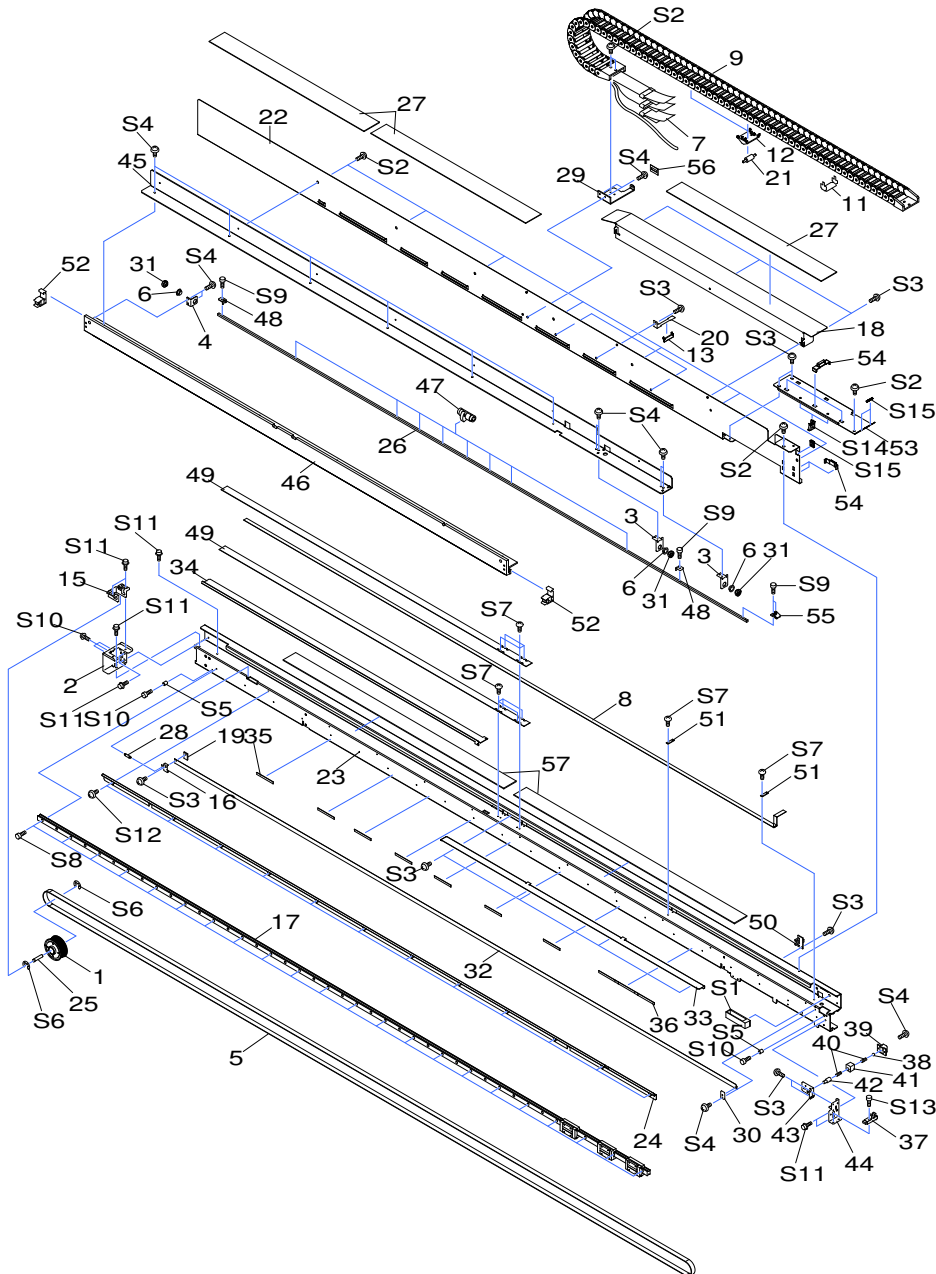


Pos	Code	Description
1	22805483	CJ-540 PINCH ROLLER L ASSY
2	22805482	CJ-540 PINCH ROLLER C ASSY
3	22115765	FRAME,P-ROLLER CJ-500
4	22145458	LEVER,P-ROLLER CJ-540
5	1000020050	SHAFT,1 GRX-400TH
5	22145831	PIN NO.1 (214-831)
6	1000020051	SHAFT,2 GRX-400TH
6	22145832	PIN NO.2 214-832
7	22175105	PINCH ROLL SPRING
8	1000015305	P-ROLLER,FD16S4(B10) TYPE5
10	22175157	SPRING,C P-ROLLER CM-500
11	22715332	STAY,SENSOR P-ROLLER CJ-540
12	1000015280	PLATE,P-ROLLER t1.0 XR-640
13	1000015281	PLATE,P-ROLLER t2.6 XR-640
S1	31149702AS	RING SET,E-RING ETW-3 100 PCS.
S2	31239102AS	SCREW SET,W-SEMS M3*8 3CBC 100 PCS
S3	31249211AS	WASHER SET,PLAIN 4.3*7*0.5 NI 100P





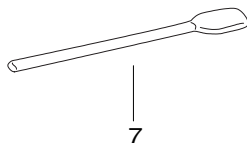
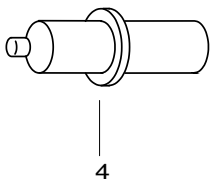
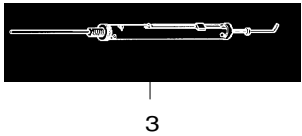
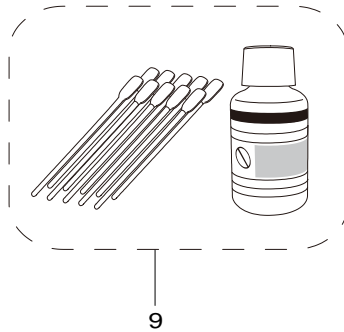
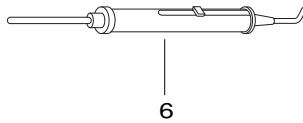
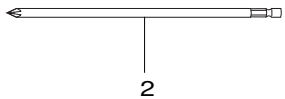
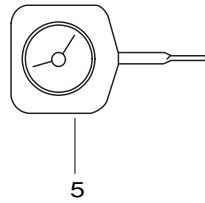
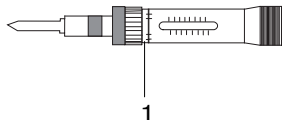
Pos	Code	Description
1	6700319030	ASSY,PULLEY XC-540
2	1000001556	BASE,IDLE PULLEY XC-540
3	1000001533	BASE,SHAFT SQUARE R XC-540
4	1000001590	BASE,SHAFT SQUARE L XC-540
5	1000003688	BELT,150S2M2754LW-C
6	1000018504	BUSH,SHAFT OILES 80F-1206
6	12159508	BUSH,SHAFT OILES 80F-1206
7	1000003783	CABLE-CARD,36P1 3300L BB HIGH-V
8	1000006947	CABLE-CARD,12P1 2950L BB HIGH-V
8	1000013163	CABLE-CARD,12P1 50U 2950L BB HIGH-V
9	1000003685	COVER,TKP0180-2B R100-090
10	1000004149	FILTER(E),FRC-40-12-1.7-013
11	22135602	GUIDE,CABLE FJ-500
12	1000000387	GUIDE,CABLE POM AJ-1000
13	1000001566	GUIDE,TUBE XC-540
14	21655247	HOLDER,CABLE SJ-740
15	1000001555	HOLDER,IDLE PULLEY XC-540
16	21655131	HOLDER,LINEAR SCALE CJ-70
17	1000009565	L-BEARING,LWES15C3R2560EG17
17	1000014333	L-BEARING,SSR15XW1GGE/W2GE+2560L(B)
18	1000003609	PLATE,GUIDE CABLEVEYOR XJ-740
19	22055316	PLATE,LINEAR SCALE CJ-70
20	1000001568	PLATE,TUBE GUIDE XC-540
21	21565105	P-ROLLER FD8S3(B15L30)
22	1000009642	RAIL,CABLE XR-640
23	1000009643	RAIL,GUIDE XR-640
24	1000009785	RAIL,LINEAR SCALE XR-640
25	1000001479	SHAFT,IDLE PULLEY XC-540
26	1000009563	SHAFT,SQUARE XR-640
27	1000003693	SHEET,RAIL CABLE XJ-640
28	22175122	SPRING,BACK UP PNC-960
29	1000003639	STAY,TUBE XJ-740
30	22135441	STOPPER,LINEAR SCALE FJ-540
31	22135365	STOPPER,SHAFT SQUARE CX-24
32	1000003691	SHEET,LINEAR SCALE XJ-640
33	1000009647	SUPPORT,CABLE XR-640
34	1000009648	GUIDE,LINER SCALE XR-640
35	22535387	LABEL,G-ROLLER 50 CJ-540 #LA486
36	22535388	LABEL,G-ROLLER 170 CJ-540 #LA487
37	1000006689	SENSOR-INTERRUPTER,EE-SX4009-P1

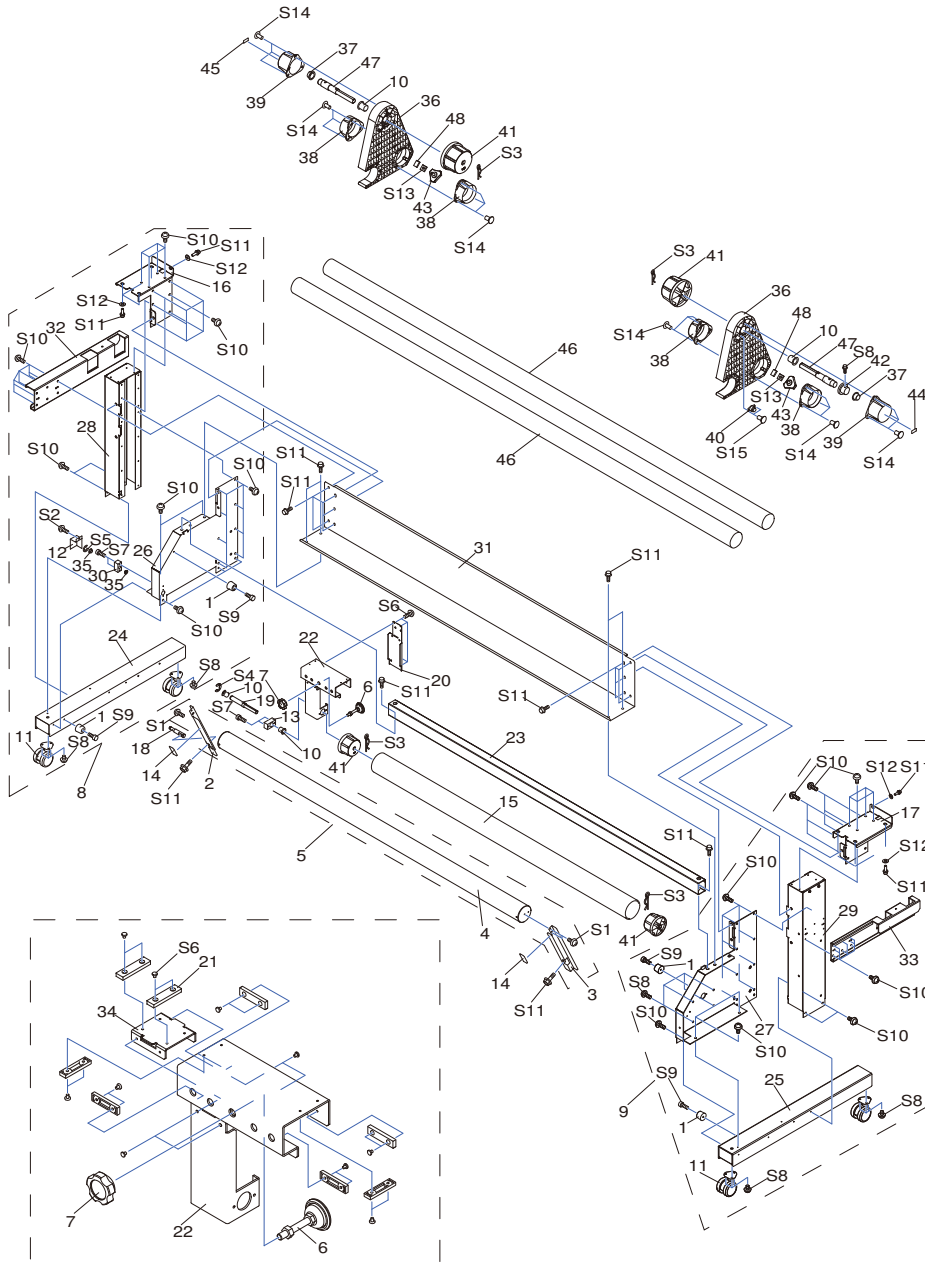


Pos	Code	Description
38	11869103	BALL,4MM
39	1000016171	CASE,LOCK CJ-70_02
39	21365103	CASE,LOCK CJ-70
40	22175134	SPRING,A CJ-70
41	1000016170	SLIDER,LOCK CJ-70_02
41	22185101	SLIDER,LOCK CJ-70
42	1000012944	SHAFT,LOCK CJ-70
42	22295117	SHAFT,LOCK CJ-70
43	1000001511	PLATE,LOCK XC-540
44	1000001512	STAY,LOCK XC-540
45	1000009644	FRAME,RAIL PINCHROLL XR-640
46	1000009553	RAIL,PINCHROLL XR-640
47	21775101	CAM,SHAFT P-ROLLER CJ-500
48	22785105	SUPPORT,SHAFT SQUARE FJ-540
49	1000009651	GUIDE,CABLE FLEX-CUT XR-640
50	W702028220	ASSY,CUT ORG BOARD XR-640
50	W702028221	ASSY,CUT ORG BOARD XR-640_01
51	W7020282C0	ASSY,PLATE BOARD XR-640
52	1000001522	ADAPTER,MEDIA CLAMP XC-540
53	1000009773	PLATE,CABLE GUIDE XR-640
54	1000003293	GUIDE,TUBE TYPE3 VP-540
55	1000001538	LEVER,SHAFT XC-540
56	1000020064	WASHER,COVER FJ-50TH
56	21425110	WASHER,COVER FJ-50
57	1000015289	SHEET,RAIL FLEX-CUT XR-640
S1	31379101	CLAMP,FLAT CABLE FCS-50P
S2	31289111AS	CUPSCREW SET,M4*6 NI 100 PCS.
S3	31289109AS	CUPSCREW SET,M3*4 NI 100 PCS
S4	31289102AS	CUPSCREW SET,M3*6 NI 50 PCS.
S5	31129102	PIPE SET,POLYCA 4*8*10 20PCS
S6	31149704AS	RING SET,E-RING ETW-6 SUS 100 PCS
S7	31299102AS	RIVET SET,NYLON P2655B 20 PCS.
S8	31049155AS	SCREW SET,CAP M3*12 BC+PW 20 PCS.
S9	31049142AS	SCREW SET,CAP M3*6 NI MEC 20 PCS
S10	31049174AS	SCREW SET,CAP M4*15 NI 20 PCS.
S11	31049169AS	SCREW SET,CAP M4*8 3CBC+PW 20PCS
S12	31239103AS	SCREW SET,W-SEMS M3*8 NI+PW 50 PCS
S13	31049173AS	SCREW SET,CAP M4*10 NI 50 PCS.
S14	31409811AS	SADDLE SET,LOCKING WIRE LWS-1211Z 20P
S15	31409702	SADDLE SET,LOCKING WIRE LES-1010 20P

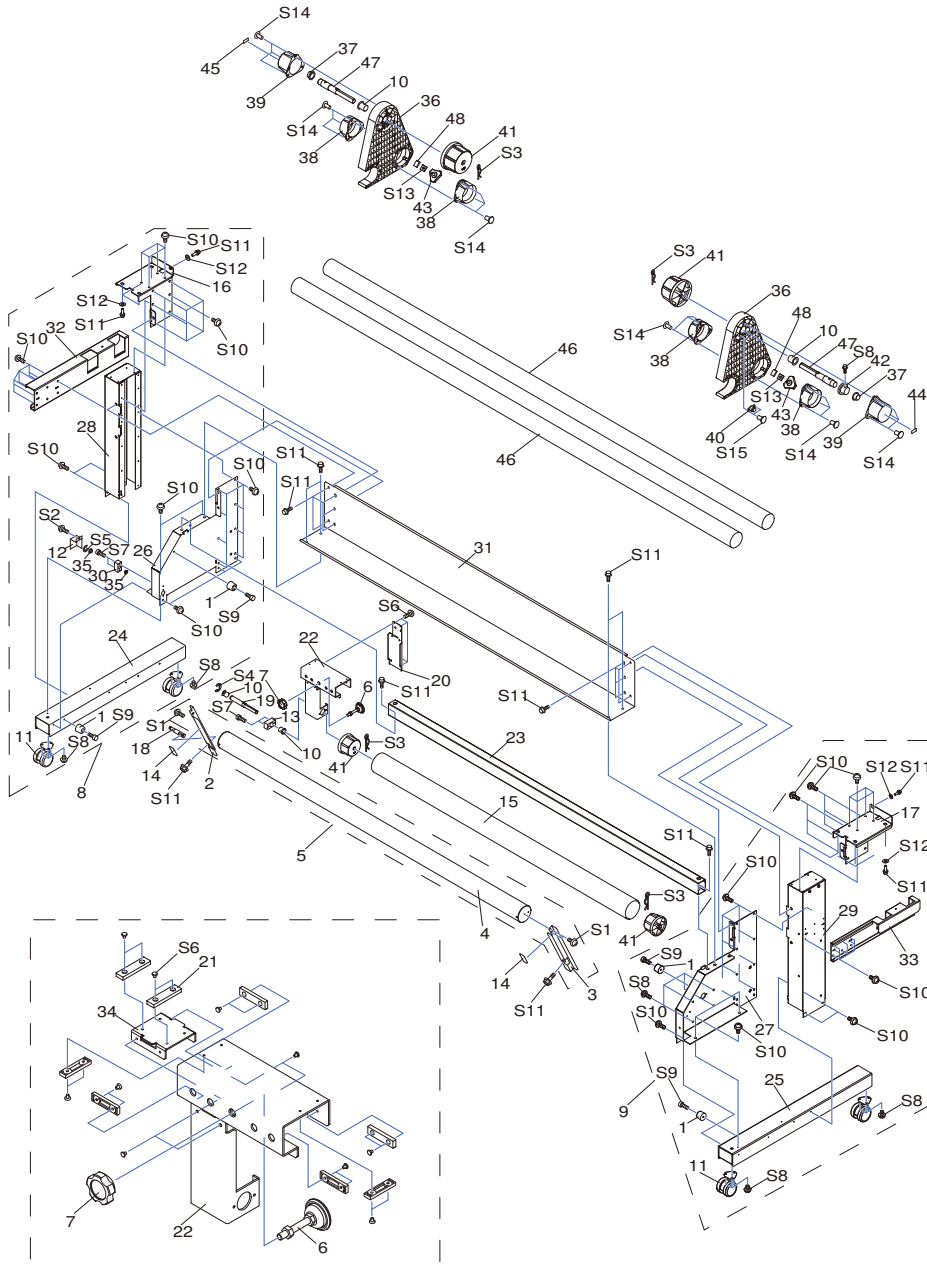


Pos	Code	Description
1	ST-056	TORQUE DRIVER N6
2	1000005463	TOOL,BIT PHILLIPS NO.1 L150MM ST-107
3	ST-002	TENSION GAUGE 300GF/300CN
4	ST-006	WHITE DUMMY PEN
5	ST-013	DIAL TENSION METER DT-100
6	ST-001	TENSION GAUGE 2000GF/2000CN
7	1000003138	SET,CLEANER STICK TX712A 10PCS.
7	1000007172	CLEANER SET,STICK TX712A 100PCS
7	ST-037	CLEAN STICK TX712A
8	21755107	CLEANING LIQUID(SL) 500ML
8	6702419050	CLEANING LIQUID(ESL5) 500ML
9	22085118	KIT,CLEANING(SL)
9	6701409310	KIT,CLEANING(ESL5) 100ML

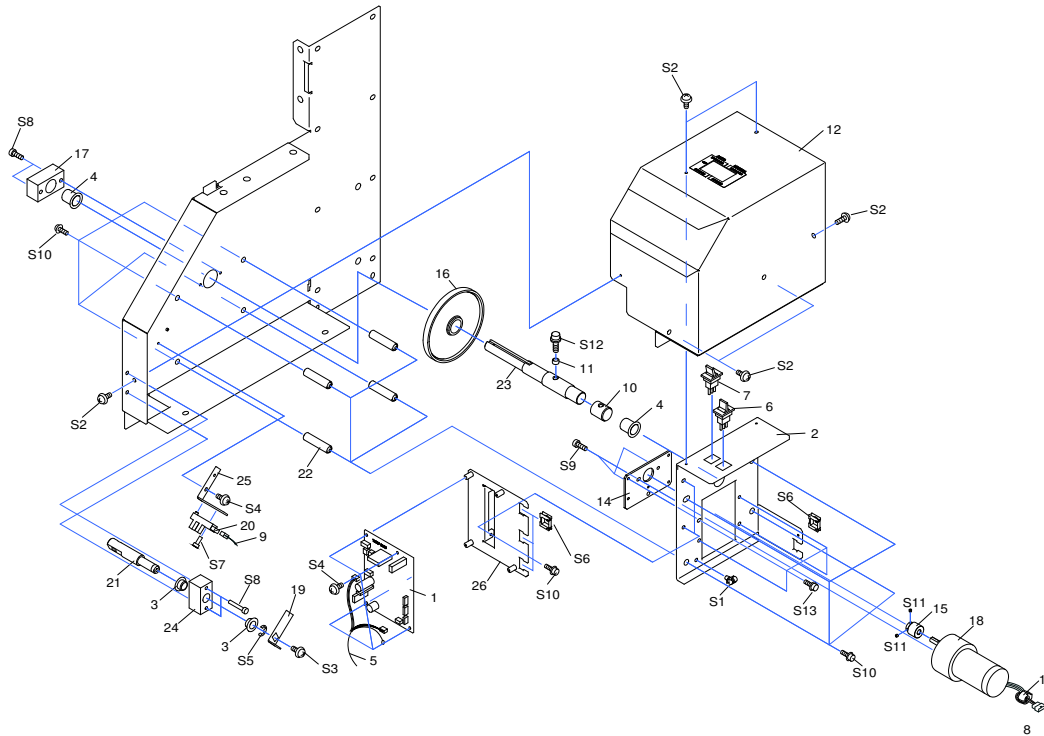




Pos	Code	Description
1	11879108	ABSORBER TK-3225
2	100002464	ARM,DANCER L XC-540
3	100002463	ARM,DANCER R XC-540
4	100003072	ASSY,DANCER BAR TU2-64
5	100003695	ASSY,DANCER BAR XJ-640
6	100009795	ADJUSTER,S-M3 M8X35
7	100009796	KNOB,KGN-2-M8
8	100003648	ASSY,STAND LEG L XJ-740
9	100003647	ASSY,STAND LEG R XJ-740
10	100001352	BUSH,80F-1620
10	100018502	BUSH,80F-1620
11	100003892	CASTER,STAND XJ-740
12	100001470	COVER,TU L XC-540
13	100001592	HOUSING,80F-1620 XC-540
14	22535347	LABEL,CAUTION PINCH-2 #LA423
15	100003696	PIPE,TAKE UP XJ-640
16	100003889	PLATE,STAND L XJ-740
17	100003888	PLATE,STAND R XJ-740
18	100001455	SHAFT,DANCER XC-540
19	100001458	SHAFT,TU SLIDER XC-540
20	100009657	SLIDER,HOLDER PLATE XR-640
21	22185103	SLIDER,1 TUC-6070
22	100009659	SLIDER,ARM XR-640
23	100003068	SLIDER,RAIL TU2-64
24	100002511	STAND,BASE L XC-540
25	100002507	STAND,BASE R XC-540
26	100002512	STAND,FRAME TU L XC-540
27	100002508	STAND,FRAME TU R XC-540
28	100003887	STAND,LEG L XJ-740
29	100003886	STAND,LEG R XJ-740
30	22035196	STAND,LEVER SP-300
31	100003679	STAND,STAY XJ-640
32	100003891	STAY,GUIDE MEDIA L XJ-740
33	100003890	STAY,GUIDE MEDIA R XJ-740
34	100009658	SLIDER,UNDER PLATE XR-640
35	100018503	BUSH,80F-1006
35	12159563	BUSH,80F-1006
36	100004718	BASE,FEEDER RS-540
37	100001068	BUSH,80F-1610
38	100004720	BUSH,FEEDER R RS-540

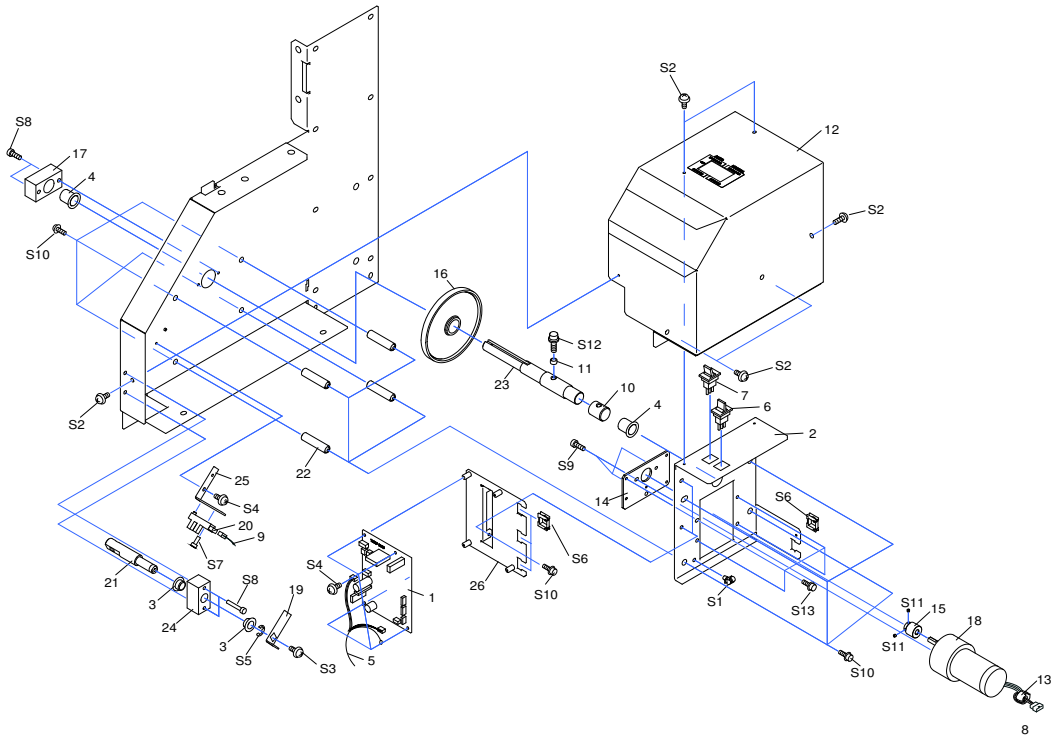


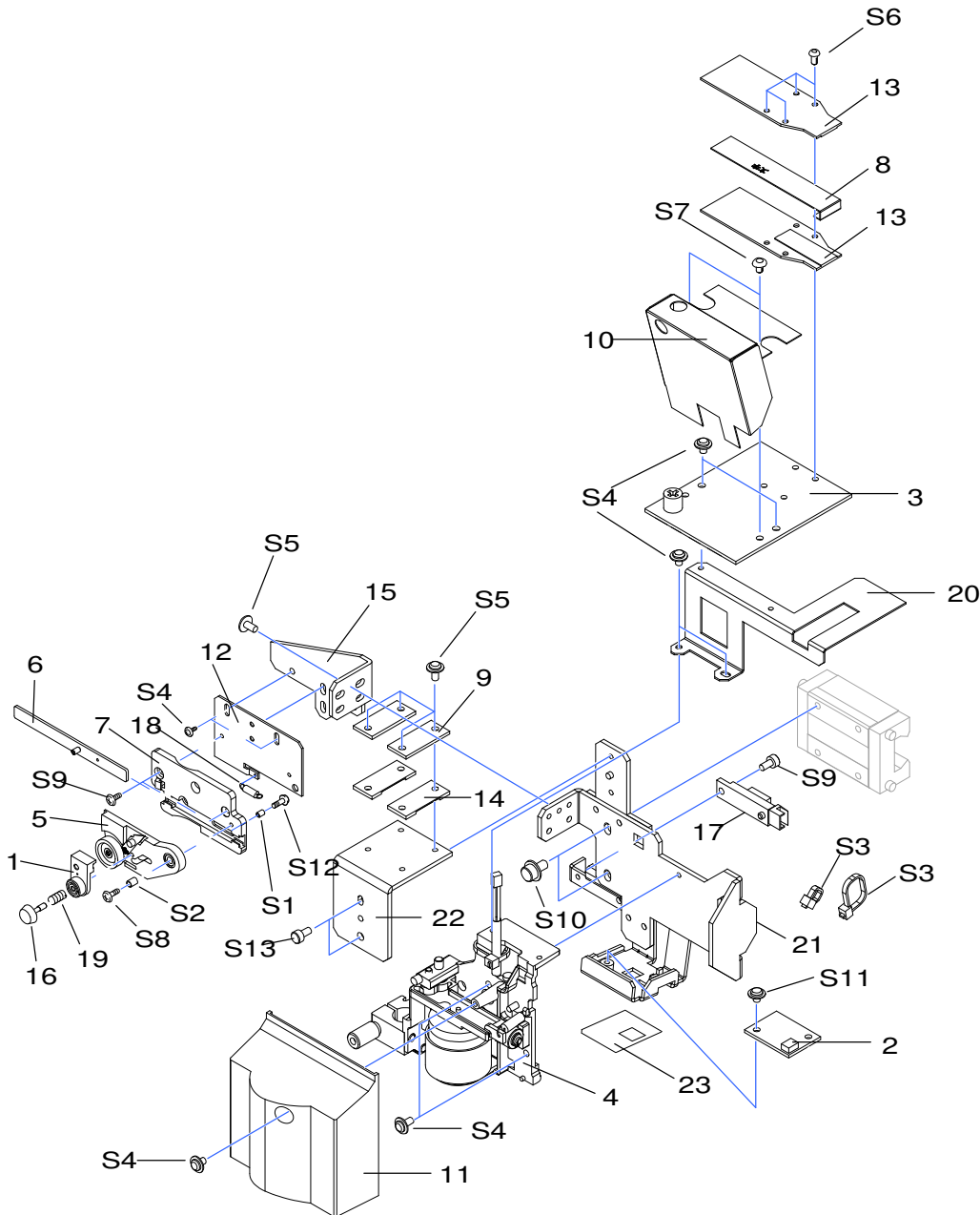
Pos	Code	Description
39	1000004719	COVER,FEEDER RS-540
40	1000004734	DAMPER,FRT-C2-301G1
41	1000001584	FLANGE,GUIDE 3 XC-540
42	1000004722	GEAR,S32(B5M0.8) RS-540
43	1000003545	KNOB,BOLT 117-10313
44	1000001090	LABEL,CLAMP L AJ-1000#LA913
45	1000001089	LABEL,CLAMP R AJ-1000#LA912
46	1000003692	PIPE,FEEDER SHAFT XJ-640
47	1000004721	SHAFT,FEEDER RS-540
48	1000005480	SPACER,BASE FEEDER RS-540
S1	31289111AS	CUPSCREW SET, M4*6 NI 100 PCS.
S2	31289109AS	CUPSCREW SET,M3*4 NI 100 PCS
S3	31119701	PIN,SNAP M14 SUS
S4	31149707AS	RING SET,E-RING ETW-12 SUS 20 PCS
S5	3000000558	RING,E ETW-7 SUS_TH
S5	31149705	RING SET,E-RING ETW-7 SUS 50PCS
S6	31019115AS	SCREW SET,BINDING M3*4 3CBC 100 PCS
S7	3000000423	CAP-SCREW,4*25 3CBC 100PCS
S7	31049137AS	SCREW SET,CAP M4*25 3CBC 20 PCS
S8	31049169AS	SCREW SET,CAP M4*8 3CBC+PW 20PCS
S9	31799110AS	SCREW SET,CAP M5*20 NI 20PCS.
S10	31239106AS	SCREW SET,W-SEMS M4*8 3CBC 50 PCS
S11	31049157	SCREW,CAP M6*20 3CBC+PW+SW
S12	31249220AS	WASHER SET,PLAIN 6.5*16*1 NI 100PCS
S13	3000000110	NUT SET,SQUARE M6*11*3 3C 50PCS
S14	3000000124	SCREW SET,BIND P-TIGHT4*12 3CBC 50PCS
S15	31019703	SCREW,BINDING P-TIGHT M3*8 3C 100P



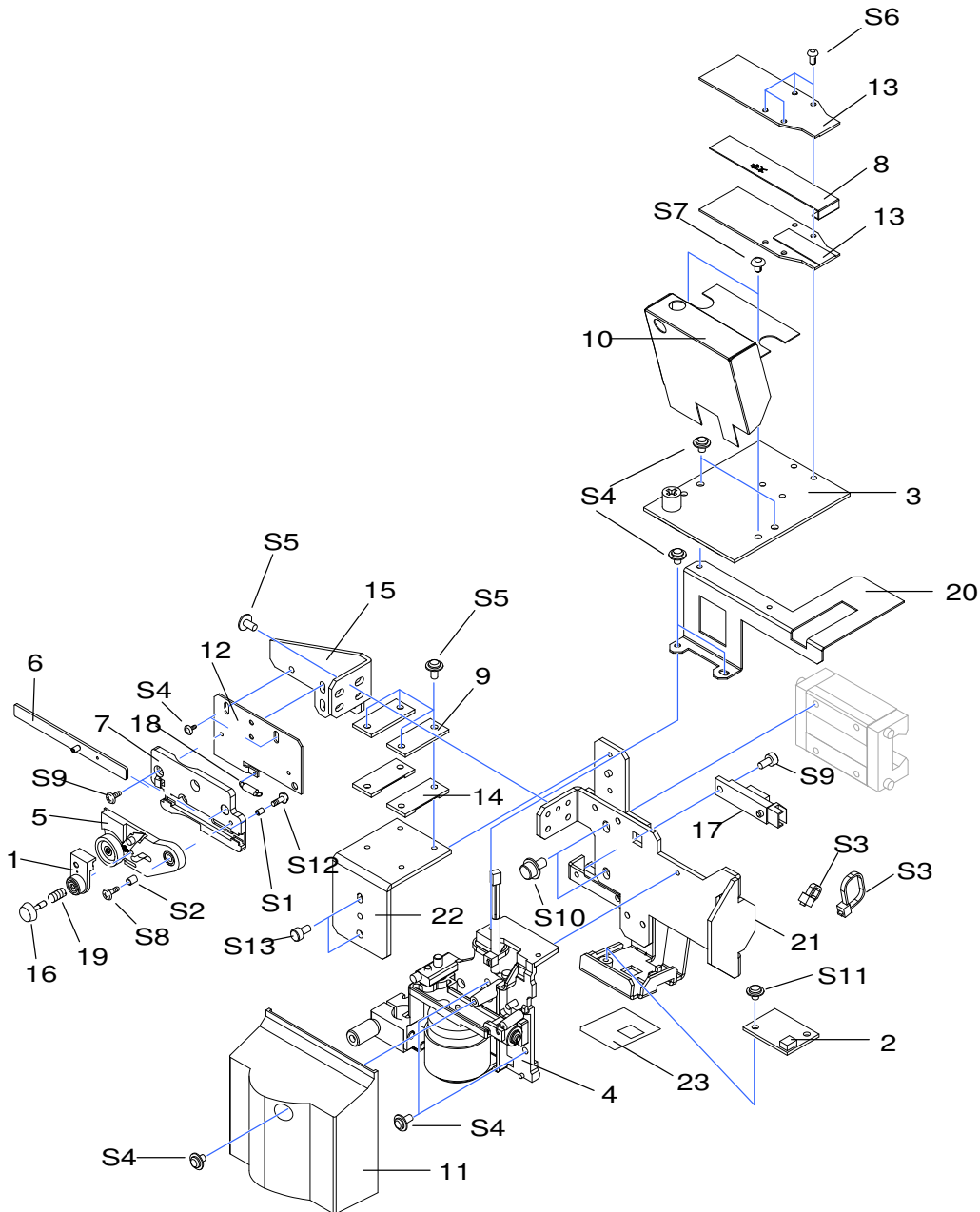
Pos	Code	Description
1	6700311200	ASSY,TAKEUP BOARD XC-540
2	1000001446	BASE,TU MOTOR XC-540
3	1000018503	BUSH,80F-1006
3	12159563	BUSH,80F-1006
4	1000001352	BUSH,80F-1620
4	1000018502	BUSH,80F-1620
5	1000001707	CABLE-ASSY,TU IF EXT XC-540
6	1000001710	CABLE-ASSY,TU MANUAL SW XC-540
7	1000001711	CABLE-ASSY,TU MODE SEL SW XC-540
8	1000003785	CABLE-ASSY,TUMTR RELAY XJ-740
9	1000006945	CABLE-ASSY,TU SENS LEC-540
10	1000003654	CAP,COVER TU XJ-740
11	1000001593	COLLAR,TU XC-540
12	1000001469	COVER,TU R XC-540
13	12399353	FILTER(E) TFT-081813N F-540
14	1000001443	FLANGE,TU MOTOR XC-540
15	1000001441	GEAR,S14.4(B12M0.8) XC-540
16	1000001442	GEAR,S96(B8M0.8) XC-540
17	1000001592	HOUSING,80F-1620 XC-540
18	1000001402	MOTOR,DME37K50G-128
19	1000001456	PLATE,SENSOR DANCER XC-540
20	1000006689	SENSOR-INTERRUPTER,EE-SX4009-P1
21	1000001455	SHAFT,DANCER XC-540
22	1000001445	SHAFT,SPACER TU XC-540
23	1000001447	SHAFT,TU XC-540
24	22035196	STAND,LEVER SP-300
25	1000001467	STAY,DANCER SENS XC-540
26	1000001468	STAY,TU BOARD XC-540
S1	31329501AS	CLAMP SET,PUSH MOUNT RT30SSF5 20P
S2	31289105AS	CUPSCREW SET, M3*6 3CBC 100 PCS
S3	31289111AS	CUPSCREW SET, M4*6 NI 100 PCS.
S4	31289109AS	CUPSCREW SET,M3*4 NI 100 PCS
S5	3000000558	RING,E ETW-7 SUS_TH
S5	31149705	RING SET,E-RING ETW-7 SUS 50PCS
S6	31409702	SADDLE SET,LOCKING WIRE LES-1010 20P
S7	31049173AS	SCREW SET,CAP M4*10 NI 50 PCS.
S8	3000000423	CAP-SCREW,4*25 3CBC 100PCS
S8	31049137AS	SCREW SET,CAP M4*25 3CBC 20 PCS
S9	31799107	SCREW SET,CAP M4*6 NI 20PCS
S10	31049169AS	SCREW SET,CAP M4*8 3CBC+PW 20PCS

Pos	Code	Description
S11	31199701AS	SCREW SET,SET WP M3*3 NI 20 PCS
S12	31049157	SCREW,CAP M6*20 3CBC+PW+SW
S13	31069104	SCREW,CAP M4*6+FL NI

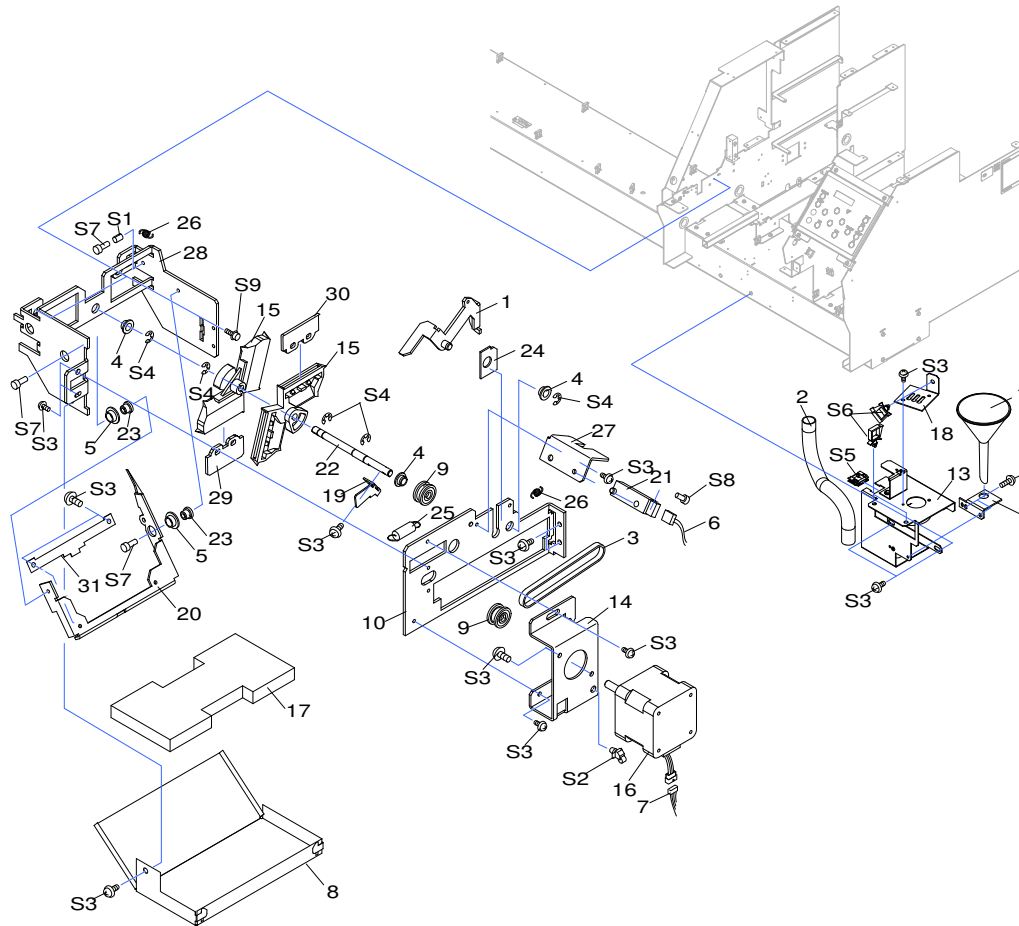




Pos	Code	Description
1	22805292	ASSY,CLAMP BLADE SV CM-500
2	W702028230	ASSY,CROP SENSOR BOARD XR-640
3	W702028250	ASSY,CUT CARRIAGE BOARD XR-640
3	W702028251	ASSY,CUT CARRIAGE BOARD XR-640_01
4	6702021501	ASSY,CUT CARRIAGE SUB XR-640_01
4	6702021502	ASSY,CUT CARRIAGE SUB XR-640_02
5	22805291	ASSY,HOLDER BLADE SV CM-500
6	22805396	ASSY,PLATE CAM SLIDE FJ-500
7	1000009694	BASE,CUTTER XR-640
8	1000006947	CABLE-CARD,12P1 2950L BB HIGH-V
8	1000013163	CABLE-CARD,12P1 50U 2950L BB HIGH-V
9	1000020055	COVER,BELT HOLDER EGX-600TH
9	22025646	COVER,BELT HOLDER EGX-600
10	1000009649	COVER,CARRIGE BOARD XR-640
10	1000013435	COVER,CARRIAGE BOARD2 XR-640
11	22025404	COVER,CARRIAGE CX-24
12	22115798	FRAME,CUTTER FJ-500
13	1000009651	GUIDE,CABLE FLEX-CUT XR-640
14	1000015114	HOLDER,BELT EGX-600_01
14	21655232	HOLDER,BELT EGX-600
15	1000003020	HOLDER,CUTTER 2 XC-540
16	21495115	SCREW,BLADE SET CM-500
17	15099115	SENSOR-INTERRUPTER GP2A25NJ
18	1000012947	SPRING,BLADE UP CM-500
18	22175154	SPRING,BLADE UP CM-500
19	1000012948	SPRING,SCREW CM-500
19	22175155	SPRING,SCREW CM-500
20	1000001475	STAY,CUT CARRIAGE BOARD XC-540
21	1000009660	STAY,CUT CARRIAGE HOLD XR-640
22	1000001477	STAY,HOLDER BELT XC-540
23	1000009137	SHEET,FILTER CROP VS-640
S1	31029801AS	BUSH SET,ROLL 2*4 3C100PCS
S2	31029803AS	BUSH SET,ROLL 3*5 3C 20PCS.
S3	31329601AS	CLAMP SET,INSULOK T-18S 100 PCS.
S4	31289109AS	CUPSCREW SET,M3*4 NI 100 PCS
S5	31289102AS	CUPSCREW SET,M3*6 NI 50 PCS.
S6	31299102AS	RIVET SET,NYLON P2655B 20 PCS.
S7	31159901AS	RIVET SET,NYLON P3045W 20 PCS.
S8	31019118AS	SCREW SET,BINDING M3*10 3CBC 100PCS
S9	31019116AS	SCREW SET,BINDING M3*6 3CBC 100 PCS



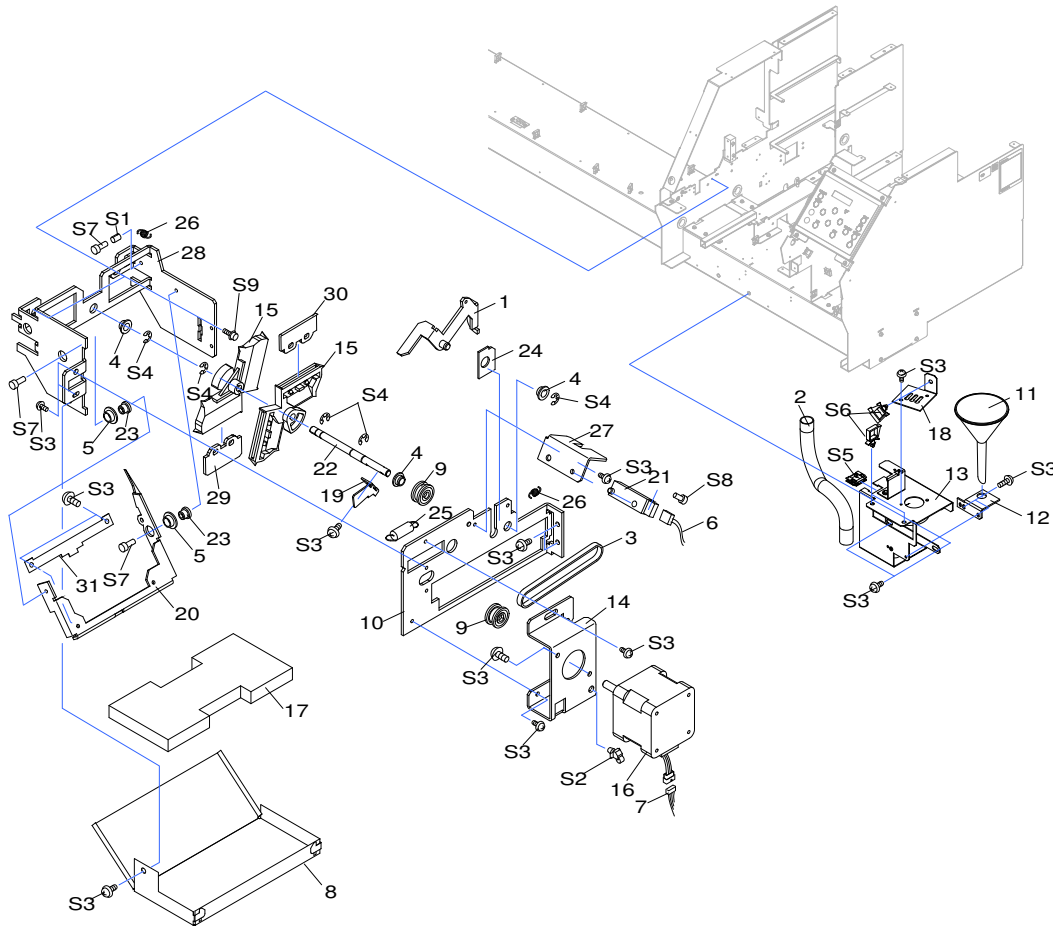
Pos	Code	Description
S10	31049169AS	SCREW SET,CAP M4*8 3CBC+PW 20PCS
S11	31089110AS	SCREW SET,PAN M3*4 NI+PW 100 PCS
S12	31229103AS	SCREW SET,TRUSS M2*6 NI 100 PCS
S13	31049142AS	SCREW SET,CAP M3*6 NI MEC 20 PCS

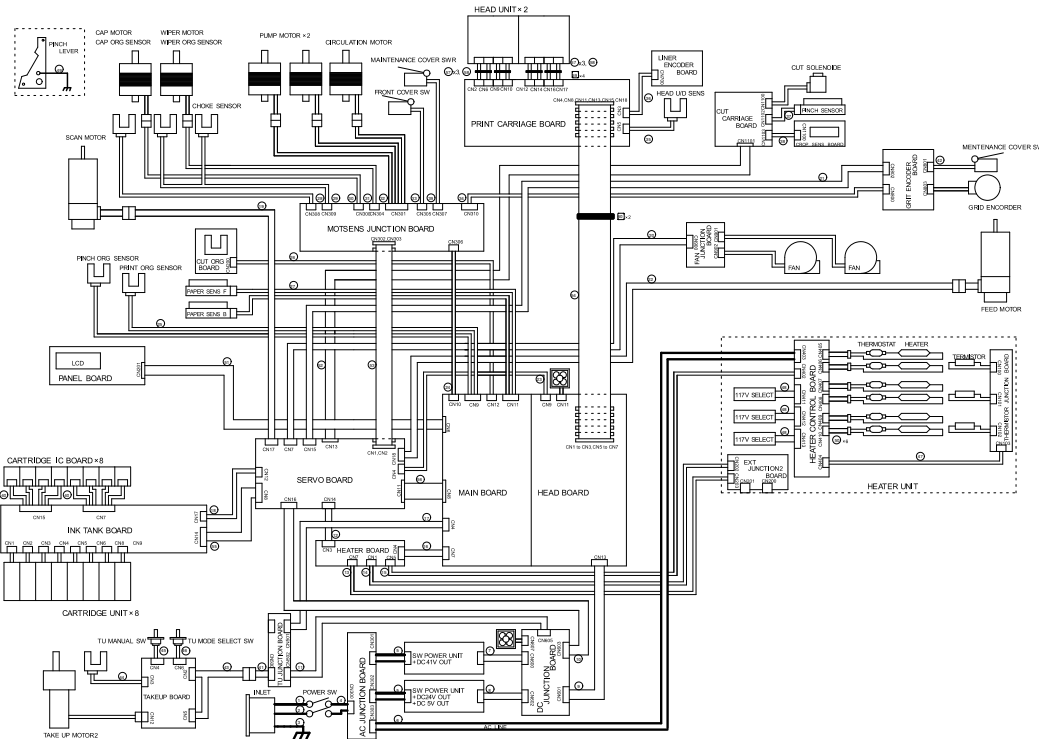


Pos	Code	Description
1	1000009369	ARM,WIPER CAM VS-640_01
2	1000002870	ASSY,TUBING DRAIN 300MM XC-540
3	1000006725	BELT,172P2M4-530
4	1000000796	BUSH,80F-0503
4	1000018501	BUSH,80F-0503
5	1000018512	BUSH,80F-0603
5	12159573	BUSH,80F-0603
6	1000009576	CABLE-ASSY,WIPER SENS XR-640
7	1000001696	CABLE-ASSY,WIPER-M XC-540
8	1000006754	COVER,WIPE UNDER VS-640
9	22565406	DRIVE PULLEY
10	1000009368	FRAME,WIPER VS-640_01
11	12139657	GUIDE,INK FUNNEL PE 6-316-03
12	1000001528	HOLDER,GUIDE INK TRASH XC-540
13	1000009003	HOLDER,INK TRASH FH-740
14	1000006723	HOLDER,WIPE MOTOR VS-640
14	1000019620	HOLDER,WIPE MOTOR VS-640TH
15	1000006519	HOLDER,WIPER VS-640
16	1000018516	MOTOR,103-593-1041
16	22435106	MOTOR,103-593-1041
17	1000006755	PAD,WIPE VS-640
18	1000001596	PLATE,INK TRASH XC-540
19	1000006726	PLATE,SENS WIPER VS-640
20	1000006738	PLATE,WIPE SCRAPER VS-640
21	1000006689	SENSOR-INTERRUPTER,EE-SX4009-P1
22	1000006735	SHAFT,WIPER VS-640
22	1000019621	SHAFT,WIPER VS-640TH
23	22165178	SPACER,6FAI FJ-50
24	1000009370	SPACER,ARM WIPER VS-640_01
25	22175521	SPRING,PINCH 930 FJ-540
26	1000006518	SPRING,SCRAPER VS-640
27	1000006724	STAY,WIPE SENSOR VS-640
28	1000006720	STAY,WIPER SCRAPER VS-640
29	1000006736	WIPER,HEAD FELT VS-640
30	1000006517	WIPER,HEAD VS-640
31	1000006737	WIPER,SCRAPER VS-640
S1	31029803AS	BUSH SET,ROLL 3*5 3C 20PCS.
S2	31329501AS	CLAMP SET,PUSH MOUNT RT30SSF5 20P
S3	31289109AS	CUPSCREW SET,M3*4 NI 100 PCS
S4	31149703AS	RING SET,E-RING ETW-4 100 PCS.

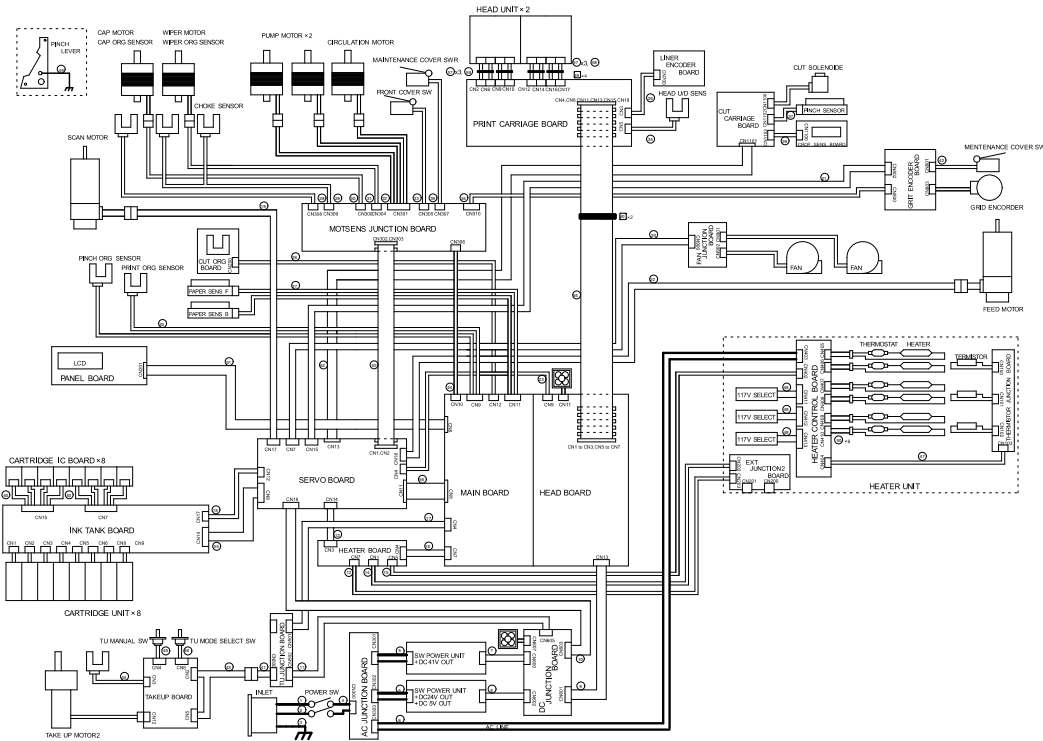


Pos	Code	Description
S5	31409702	SADDLE SET,LOCKING WIRE LES-1010 20P
S6	31409811AS	SADDLE SET,LOCKING WIRE LWS-1211Z 20P
S7	31049170AS	SCREW SET,CAP M3*8 NI 50 PCS.
S8	31049173AS	SCREW SET,CAP M4*10 NI 50 PCS.
S9	31049169AS	SCREW SET,CAP M4*8 3CBC+PW 20PCS





Pos	Code	Description
1	100009406	CABLE-ASSY,POWER-AC-L FH-740
2	100009407	CABLE-ASSY,POWER-AC-N FH-740
3	100009408	CABLE-ASSY,GND FH-740
4	100009585	CABLE-ASSY,POWER-AC-JUNC XR-640
5	100009409	CABLE-ASSY,POWER-AC-DC FH-740
6	100009586	CABLE-ASSY,POWER-DRYER XR-640
7	100001673	CABLE-ASSY,POWER-DC-B XC-540
8	100001674	CABLE-ASSY,POWER-DC-A XC-540
9	100001675	CABLE-ASSY,POWER-HEAD XC-540
10	100001676	CABLE-ASSY,POWER-SERVO XC-540
11	100001704	CABLE-ASSY,POWER-TU XC-540
12	100001677	CABLE-ASSY,POWER-HEATER XC-540
13	100001678	CABLE-ASSY,OP.DRYER CONTROL XC-540
14	100001679	CABLE-ASSY,POWER-BLOWER XC-540
15	100001680	CABLE-ASSY,HEATER CONTROL XC-540
16	100001681	CABLE-ASSY,HEATER SERIAL XC-540
17	100001682	CABLE-ASSY,TU CONTROL XC-540
18	100008351	CABLE-ASSY,INK SERIAL LEF-12
19	100003930	CABLE-ASSY,SCAN-M XC-540_01
20	100003699	CABLE-ASSY,FAN JUNCTION XJ-640
21	100003700	CABLE-ASSY,G-ENCODER XJ-640
22	100003701	CABLE-ASSY,FEED-M XJ-640
23	100001688	CABLE-ASSY,HEAD FAN XC-540
24	100001689	CABLE-ASSY,3-COVER SW XC-540
25	100006942	CABLE-ASSY,PINCH SENS LEC-540
26	23505844	CABLE-ASSY CUT-CAR SENS CJ-540
27	100001692	CABLE-ASSY,PAPER-SENS XC-540
28	100006943	CABLE-ASSY,CAP SENS LEC-540
29	100009576	CABLE-ASSY,WIPER SENS XR-640
30	100001695	CABLE-ASSY,CAP-M XC-540
31	100001696	CABLE-ASSY,WIPER-M XC-540
32	100009578	CABLE-ASSY,PUMP-M XR-640
33	100009577	CABLE-ASSY,F-COVER SW XR-640
34	100003702	CABLE-ASSY,SW JUNCTION XJ-640
35	100008942	CABLE-ASSY,HEAD U/D SENS FH-740
37	100003019	CABLE-ASSY,PINCH SENS XC-540_01
38	100001423	CABLE-ASSY,CROP SENS XC-540
39	100009579	CABLE-ASSY,M-COVER SW XR-640
40	100008940	CABLE-ASSY,CARTRIDGE IC FH-740
41	100001706	CABLE-ASSY,TU IF INT XC-540



Pos	Code	Description
42	100001702	CABLE-ASSY,M-COVER SW XC-540
43	100001707	CABLE-ASSY,TU IF EXT XC-540
44	1000006945	CABLE-ASSY,TU SENS LEC-540
45	100001710	CABLE-ASSY,TU MANUAL SW XC-540
46	100001711	CABLE-ASSY,TU MODE SEL SW XC-540
47	100001708	CABLE-ASSY,THERM JUNCTION XC-540
48	100004056	CABLE-ASSY,230V SELECTOR XJ-740
48	100004057	CABLE-ASSY,117V SELECTOR XJ-740
49	1000009107	CABLE-ASSY,ESD LEJ-640
50	1000003707	CABLE-ASSY,HEATER XJ-740
51	23475196	CABLE CARD 24P1 850L BB FJ-540
52	1000006947	CABLE-CARD,12P1 2950L BB HIGH-V
52	1000013163	CABLE-CARD,12P1 50U 2950L BB HIGH-V
53	1000000620	CABLE-CARD 26P1 950L BB HIGH-V
54	1000003783	CABLE-CARD,36P1 3300L BB HIGH-V
55	23475201	CABLE,CARD 6P1 255L BB FJ-540
56	100001900	CABLE-CARD,25P1 250L BB HIGH-V
57	1000008944	CABLE-CARD,29P1 430L BB HIGH-V
58	1000008945	CABLE-CARD,29P1 430L BBR HIGH-V
59	12399351	FILTER(E) FRC-40-12-6.5 FJ-540
60	1000004149	FILTER(E),FRC-40-12-1.7-013