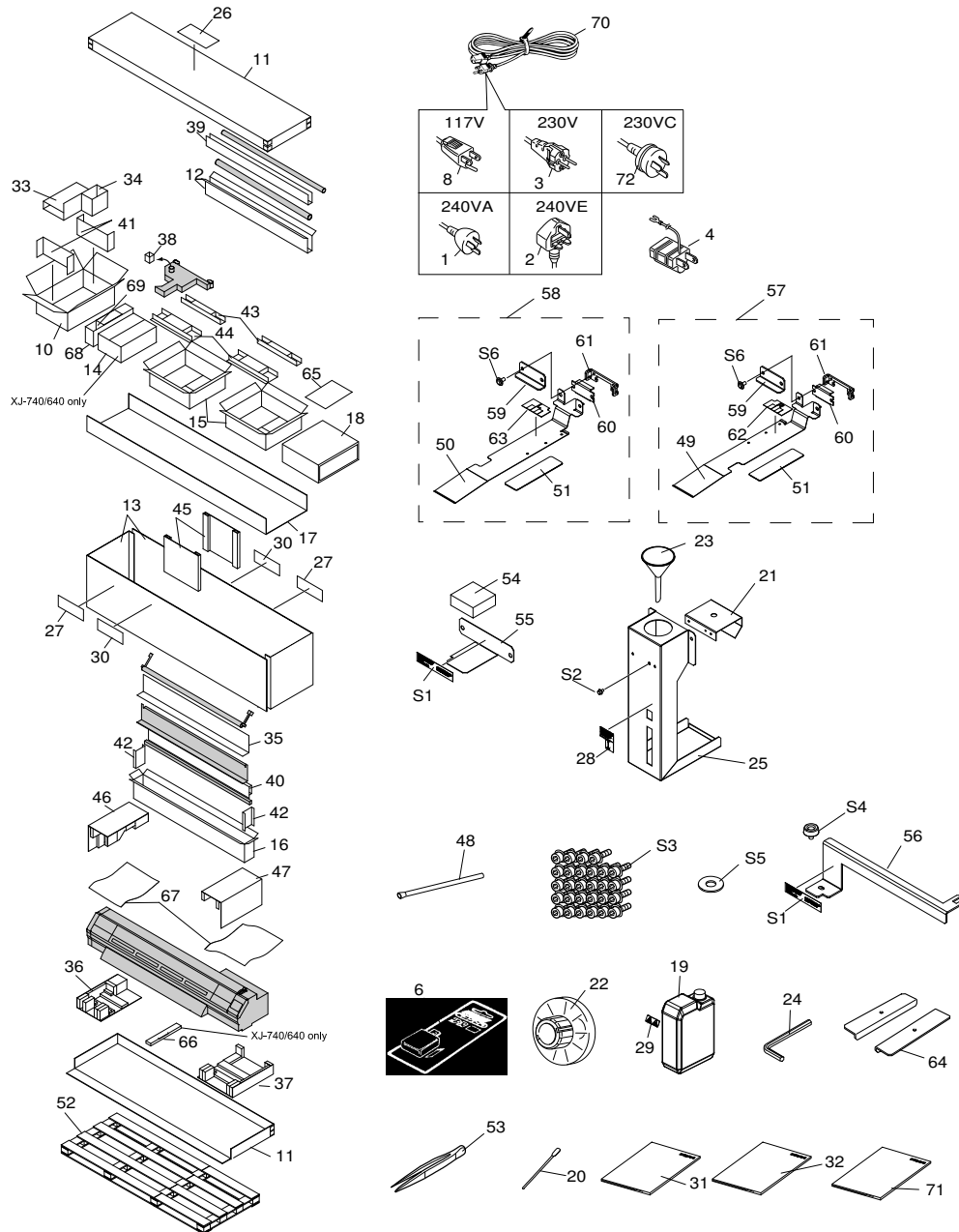
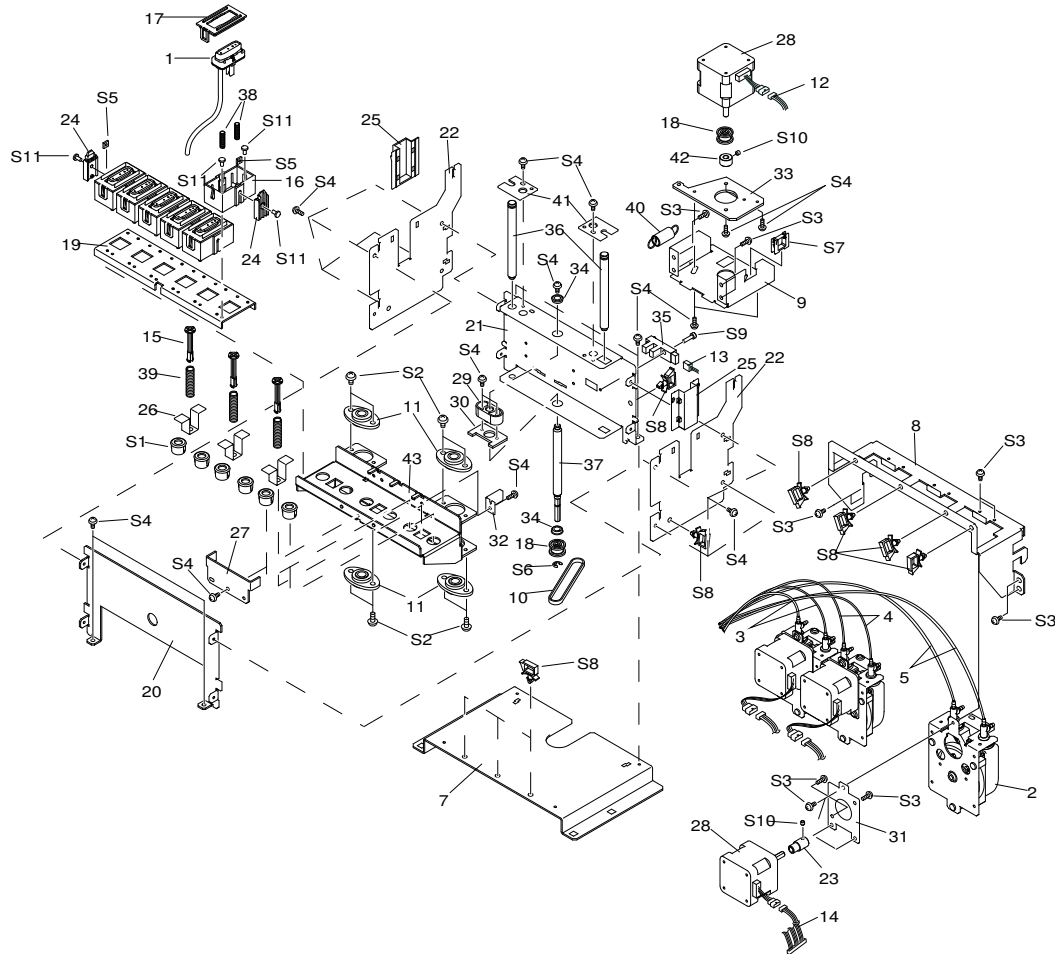


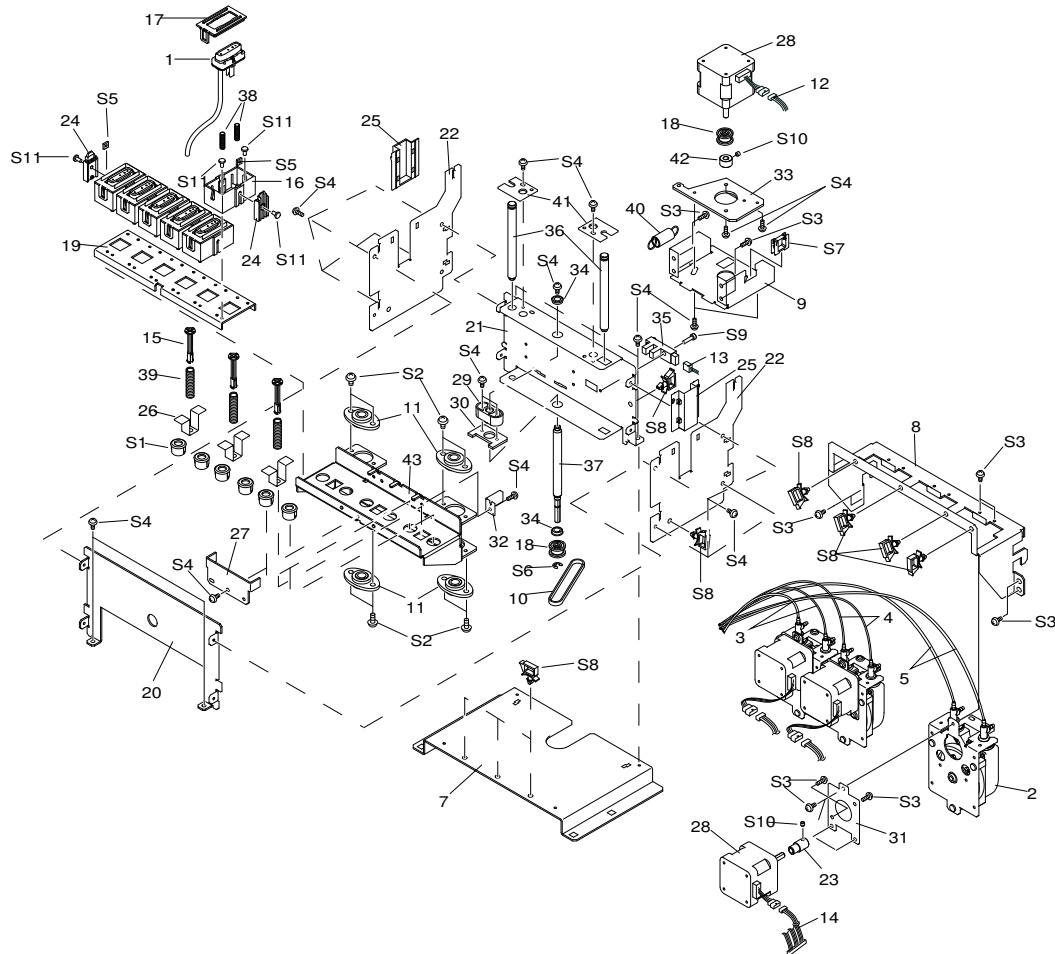
Pos	Code	Description
1	23495124	AC CORD 3ASL100 240VA 10A SAA
2	13499111	AC CORD H05VV-F 240VE 10A S
3	23495125	AC-CORD H05VV 230V 10A S
4	13499209	ADAPTER PLUG (100V)
6	11849102	BLADE,OLFA AUTO CUTTER XB10
8	1000005833	CABLE-AC,117V 15A 2.5M 3P
10	1000001639	CARTON,ACCESSORY XC-540
11	1000001627	CARTON,COVER XC-540
12	1000003574	CARTON,SHAFT SHEET XJ-540
13	1000001628	CARTON,SLEEVE XC-540
15	1000001635	CARTON,STAND L/R XC-540
16	1000001645	CARTON,STAND STAY XC-540
17	1000001629	CARTON,STAND XC-540
18	1000003561	CARTON,VKIT XJ-740
19	11369122	CASE,PE BOTTLE 5-038-03
20	1000003138	SET,CLEANER STICK TX712A 10PCS.
20	1000007172	CLEANER SET,STICK TX712A 100PCS
20	ST-037	CLEAN STICK TX712A
21	1000001535	COVER,BOTTLE INK XC-540
22	21995106	FLANGE,GUIDE 2 PNS-70
23	12139657	GUIDE,INK FUNNEL PE 6-316-03
24	22565682	HEXAGONAL WRENCH 5
25	1000001534	HOLDER,BOTTLE INK XC-540
26	22535532	LABEL,CARTON CARE #LA762
27	1000003540	LABEL,CARTON XJ-540#LA1018
28	22535393	LABEL,DRAIN BOTTLE FJ-540 #LA501
29	1000001099	LABEL,HARMFUL FIRE #LA915
30	22535357	LABEL,USE FORKLIFT #LA435
31	1000003532	MANUAL,INS JP XJ-740
31	1000003533	MANUAL,INS EN XJ-740
32	1000003534	MANUAL,USE JP XJ-740
32	1000003535	MANUAL,USE EN XJ-740
33	1000001642	PAD,ACCESSORY B XC-540
34	1000001641	PAD,ACCESSORY S XC-540
35	1000001648	PAD,DANCER XC-540
36	1000001631	PAD,L-LEFT XC-540
37	1000001632	PAD,L-RIGHT XC-540
38	1000001638	PAD,SHAFT GUARD XC-540
39	1000003575	PAD,SHAFT SHEET XJ-540
40	1000001647	PAD,SLIDER XC-540



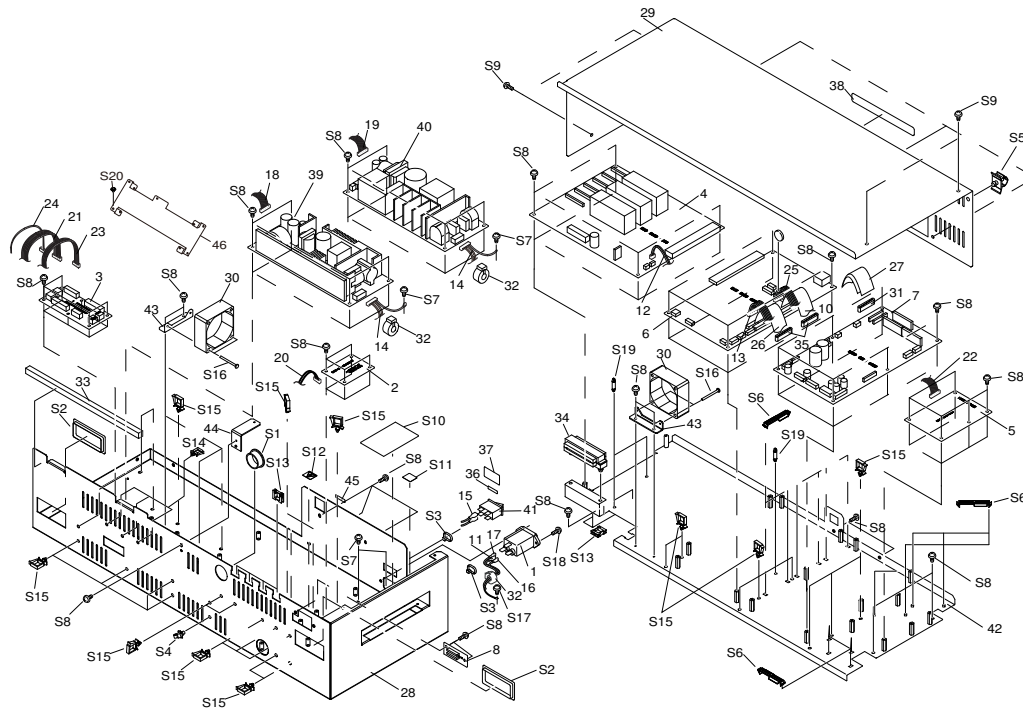
Pos	Code	Description
41	100001640	PAD,SPACER ACCESSORY XC-540
42	1000003558	PAD,SPACER STAND STAY XJ-740
43	1000001637	PAD,STAND L/R BASE XC-540
44	1000003554	PAD,STAND L/R TOP XJ-740
45	1000003551	PAD,SUPPORT STAND XJ-740
46	1000003552	PAD,U-LEFT XJ-740
47	1000003553	PAD,U-RIGHT XJ-740
48	22155133	PIPE,TOOL D9*L150 FJ-540
49	1000003624	SPRING,CLAMP MEDIA R XJ-740
50	1000003625	SPRING,CLAMP MEDIA L XJ-740
51	1000001602	SHEET,CLAMP MEDIA XC-540
52	1000001626	TRAY,SKID XC-540
53	12569656	TWEEZERS PTS-01
54	1000001604	PAD,INK TRASH XC-540
55	1000001603	COVER,INK TRASH XC-540
56	1000003641	STOPPER,CARRIAGE XJ-740
57	6700739030	ASSY,MEDIA CLAMP R XJ-740
58	6700739020	ASSY,MEDIA CLAMP L XJ-740
59	1000003626	PLATE,CLAMP MEDIA XJ-740
60	22395118	MAGNET,SM-911S NEO1854
61	1000003649	HOLDER,CLAMP MEDIA XJ-740
62	1000003650	LABEL,CLAMP R XJ-740#LA1024
62	1000019502	LABEL,CLAMP R XJ-740#LA3307
63	1000003651	LABEL,CLAMP L XJ-740#LA1023
63	1000019501	LABEL,CLAMP L XJ-740#LA3306
64	1000003635	STOPPER,PIPE FEEDER XJ-740
65	1000003536	STICKER,REP JP/EN XJ-740
67	1000003861	SHEET,MIRROR XJ-740
68	1000003562	CARTON,FEEDER XJ-740
69	1000003563	PAD,FEEDER XJ-740
70	1000005832	CABLE-AC,100V 15A 2.5M 3P
71	26015490	MANUAL,USE JP VERSAWORKS
71	26015491	MANUAL,USE EN VERSAWORKS
72	13439801	CABLE-AC 3P CHINA 10A250V S
S1	31279201	LABEL,REPACKAGE #LA16
S2	31049169AS	SCREW SET,CAP M4*8 3CBC+PW 20PCS
S3	31049157	SCREW,CAP M6*20 3CBC+PW+SW
S4	31139104	SCREW,PLAPOINT M4*6 BK FE
S5	31249220AS	WASHER SET,PLAIN 6.5*16*1 NI 100PCS
S6	31289102AS	CUPSCREW SET,M3*6 NI 50 PCS.



Pos	Code	Description
1	100002794	ASSY,CAP-TOP XC-540
1	100004546	ASSY,CAP-TOP 2 XC-540
1	600002355	ASSY,CAP-TOP MAX3
2	6700319010	ASSY,PUMP SUB XC-540
3	100002422	ASSY,TUBING 2*150MM XC-540
4	100002423	ASSY,TUBING 2*210MM XC-540
5	100002424	ASSY,TUBING 2*310MM XC-540
7	100001437	BASE,BOTTOM CAP XC-540
8	100001587	BASE,NEW PUMP XC-540
9	100001588	BASE,T-MOTOR CAP XC-540
10	21925137	BELT,166P2M4-530
11	12529101	BUSH,80FL-08
12	100001695	CABLE-ASSY,CAP-M XC-540
13	100001693	CABLE-ASSY,CAP-SENS XC-540
14	100001697	CABLE-ASSY,PUMP-M XC-540
15	22335146	CAP,TABLE SPRING FJ-540
16	21365121	CASE,CAP TOP FJ-540
17	1000015301	COVER,CAP-CASE LEJ-640
17	22025671	COVER,CAP CASE FJ-540
18	22565406	DRIVE PULLEY
19	100001433	FRAME,BACK-UP XC-540
20	100001438	FRAME,FRONT CAP XC-540
21	100001435	FRAME,MAIN CAP XC-540
22	100001436	FRAME,SIDE CAP XC-540
23	1000012988	GEAR,S10B20
23	21685122	GEAR,S10S20
24	22135616	GUIDE,CAP CASE FJ-540
25	22135614	GUIDE,SIDE FRAME FJ-540
26	21655246	HOLDER,T-SPRING FJ-540
27	100001439	HOOK,CAP-CASE XC-540
28	1000018516	MOTOR,103-593-1041
28	22435106	MOTOR,103-593-1041
29	21575126	NUT,TABLE FJ-540
30	22055542	PLATE,NUT FJ-540
31	100001585	PLATE,P-MOTOR XC-540
31	1000020054	PLATE,P-MOTOR XC-540TH
32	100001440	PLATE,SHUTTER TABLE CAP XC-540
33	100001607	PLATE,T-MOTOR XC-540
34	11889107	R-BEARING,D10S6(B3FL)
35	15229506	SENSOR INTERRUPTER,GP1A05A5

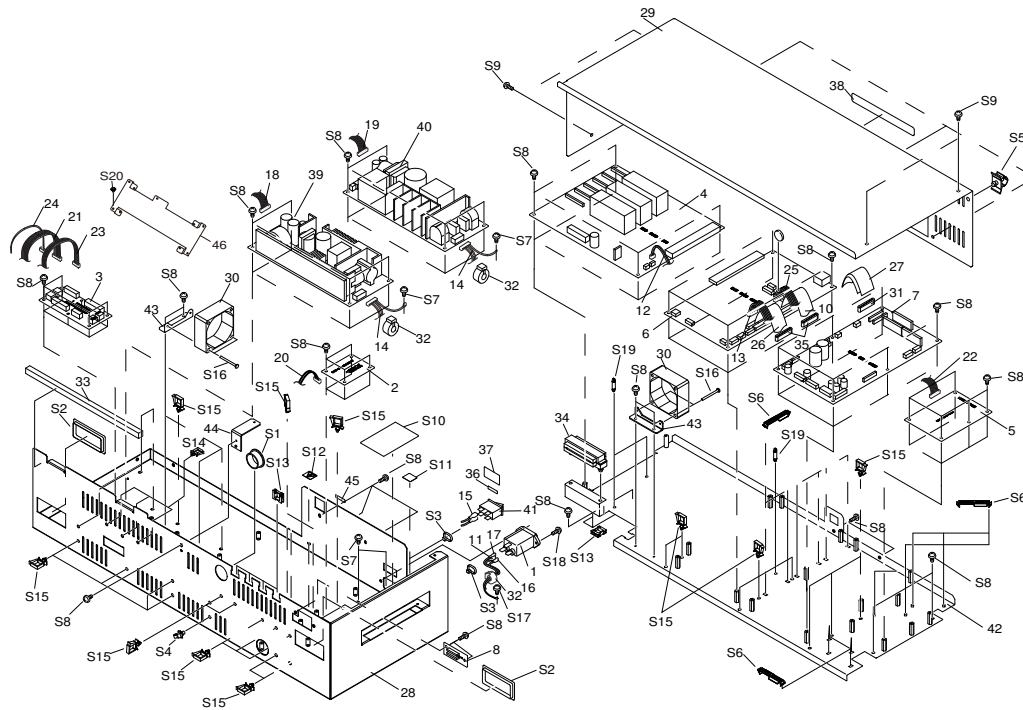


Pos	Code	Description
36	100001591	SHAFT,GUIDE TABLE XC-540
37	22155957	SHAFT,SCREW M8 FJ-540
38	22175334	SPRING,CAP HEAD FJ-540
39	22175326	SPRING,TABLE FJ-540
40	22175324	SPRING,TABLE MOTOR FJ-540
41	100001608	STOPPER,G-SHAFT XC-540
42	100001594	STOPPER,T-MOTOR CAP XC-540
43	100001434	TABLE,CAP-CASE XC-540
S1	31029105	BUSH,NB-8
S2	31289111AS	CUPSCREW SET, M4*6 NI 100 PCS.
S3	31289109AS	CUPSCREW SET,M3*4 NI 100 PCS
S4	31289102AS	CUPSCREW SET,M3*6 NI 50 PCS.
S5	31109601	NUT SET,SQUARE M3*6*1.6 FE NI 100PCS
S6	31149703AS	RING SET,E-RING ETW-4 100 PCS.
S7	31409702	SADDLE SET,LOCKING WIRE LES-1010 20P
S8	3000000560	SADDLE,LOCKING WIRE LWS-0711Z_TH
S8	31409801AS	SADDLE,LOCKING WIRE LWS-0711Z 20P
S9	31049171AS	SCREW SET,CAP M3*12 NI 50 PCS.
S10	31199701AS	SCREW SET,SET WP M3*3 NI 20 PCS
S11	31019116AS	SCREW SET,BINDING M3*6 3CBC 100 PCS

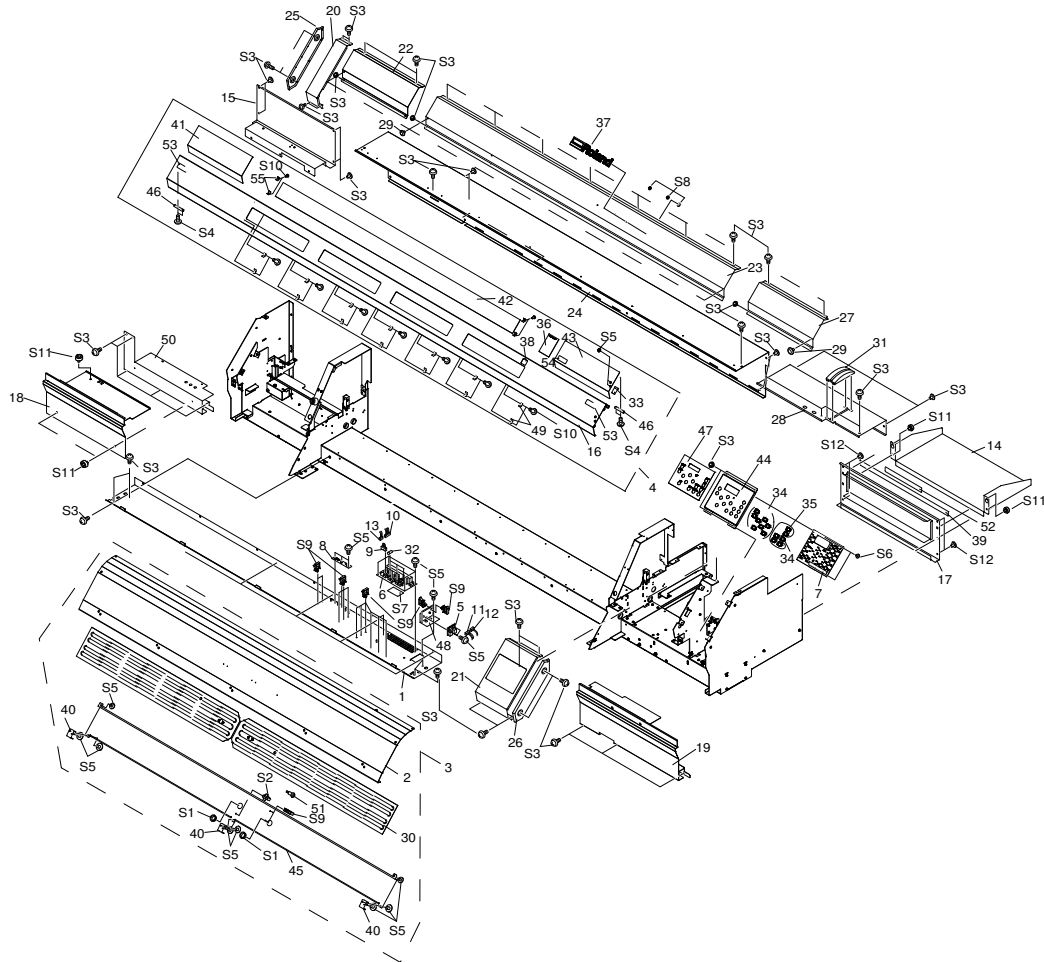


Pos	Code	Description
1	13429701	AC INLET SUP-J15G-E
2	W700311440	ASSY,AC JUNCTION BOARD XC-540
3	W700731360	ASSY,DC JUNCTION BOARD XJ-740
4	6700731100	ASSY,HEAD BOARD XJ-740
5	W700311421	ASSY,HEATER BOARD XC-540
6	6700739040	ASSY,MAIN BOARD XJ-740
6	6700909030	ASSY,MAIN BOARD LEC-300
6	6701779010	ASSY,MAIN BOARD LEJ-640
6	6702029000	ASSY,MAIN BOARD XR-640
7	6700731000	ASSY, SERVO BOARD XJ-740
8	W700731340	ASSY,TU JUNCTION BOARD XJ-740
9	15009101	BATTERY CR2032
10	23475196	CABLE CARD 24P1 850L BB FJ-540
11	1000000574	CABLE-ASSY GND AJ-1000
12	1000001688	CABLE-ASSY,HEAD FAN XC-540
13	1000001681	CABLE-ASSY,HEATER SERIAL XC-540
14	1000004054	CABLE-ASSY,POWER-AC-DC XJ-740
15	1000001670	CABLE-ASSY,POWER-AC-JUNCTION XC-540
16	1000001668	CABLE-ASSY,POWER-AC-L XC-540
17	1000001669	CABLE-ASSY,POWER-AC-N XC-540
18	1000001674	CABLE-ASSY,POWER-DC-A XC-540
19	1000001673	CABLE-ASSY,POWER-DC-B XC-540
20	1000001672	CABLE-ASSY,POWER-DRYER XC-540
21	1000001675	CABLE-ASSY,POWER-HEAD XC-540
22	1000001677	CABLE-ASSY,POWER-HEATER XC-540
23	1000001676	CABLE-ASSY,POWER-SERVO XC-540
24	1000001704	CABLE-ASSY,POWER-TU XC-540
25	1000001682	CABLE-ASSY,TU CONTROL XC-540
26	1000001900	CABLE-CARD,25P1 250L BB HIGH-V
27	1000001898	CABLE-CARD,26P1 880L BB HIGH-V
28	1000003968	CHASSIS,XC-540_01
29	1000003969	COVER,CHASSIS XC-540_01
30	1000000012	FAN,109R0624H459
31	12399351	FILTER(E) FRC-40-12-6.5 FJ-540
32	12399353	FILTER(E) TFT-081813N F-540
33	1000003820	FILTER(E),CHASSIS SHIELD XJ-740
34	1000001748	FILTER(E),EFC-40-S
35	12399331	FILTER(E),FPC-31-12
36	22535117	LABEL,POWER CM-500 NO.893
37	1000002107	LABEL,READ MANUAL XC-540#LA955

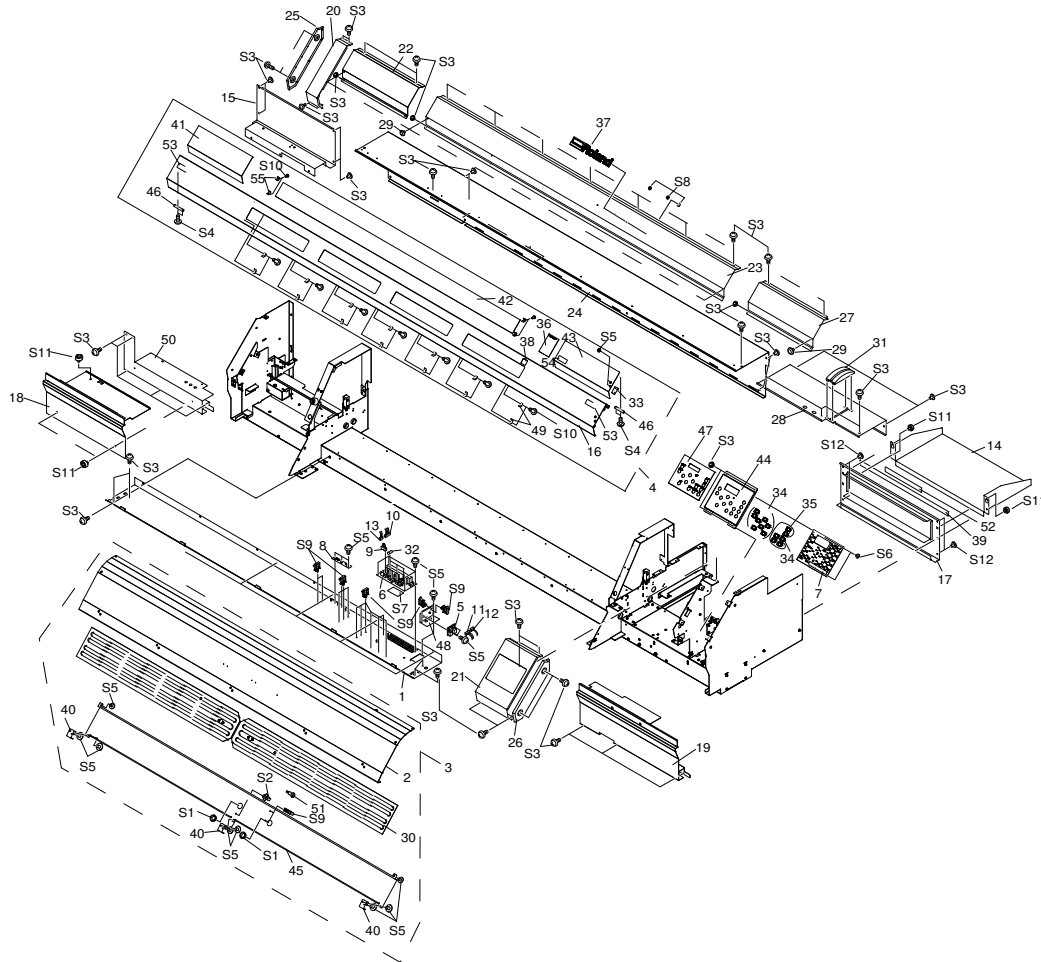




Pos	Code	Description
38	1000001620	LABEL,USE ECO-SOL MAX#LA924
39	1000000538	POWER UNIT,ZWD225PAF-0524/J
40	1000000097	POWER UNIT,ZWS240PAF-36/J
40	1000019480	POWER UNIT,ZWS240BP-48(41)
41	13129171	POWER-SW AJ8201B
42	1000001549	STAY,BOARD XC-540
43	22715327	STAY,CHASSIS FAN FJ-540
44	1000001605	STAY,COVER CHASSIS XC-540
45	1000002682	LABEL,LAN VP-540#LA964
46	1000020302	BRACKET,PLATE D-30 SV
S1	31029101	BUSH,NB-19
S2	31029106	BUSH,SQUARE SB-6025
S3	31329601AS	CLAMP SET,INSULOK T-18S 100 PCS.
S4	31329501AS	CLAMP SET,PUSH MOUNT RT30SSF5 20P
S5	31379111	CLAMP,CABLE CKS-13-H
S6	3000000033	CLAMP,WIRE PLESS RFC-45VO
S7	31289111AS	CUPSCREW SET, M4*6 NI 100 PCS.
S8	31289109AS	CUPSCREW SET,M3*4 NI 100 PCS
S9	31289102AS	CUPSCREW SET,M3*6 NI 50 PCS.
S10	1000013740	LABEL,CAUTION VOLTAGE#LA2135
S10	22535257	LABEL,CAUTION VOLTAGE #LA167
S11	31279116	LABEL,EARTH MARK-1 NO.E-580
S12	31279121	LABEL,FLASH-LIGHTING NO.E-582
S13	31409702	SADDLE SET,LOCKING WIRE LES-1010 20P
S14	3000000560	SADDLE,LOCKING WIRE LWS-0711Z_TH
S14	31409801AS	SADDLE,LOCKING WIRE LWS-0711Z 20P
S15	31409811AS	SADDLE SET,LOCKING WIRE LWS-1211Z 20P
S16	31019124	SCREW SET,BINDING M3*35 NI 50 PCS
S17	31019161	SCREW SET,BINDING M4*8 NI ETW 20PCS
S18	31169103AS	SCREW SET,FLAT M3*6 3CBC 100 PCS
S19	31209118	SPACER SET,WPCS-12S-4.0 20PCS
S20	31289102AS	CUPSCREW SET,M3*6 NI 50 PCS.

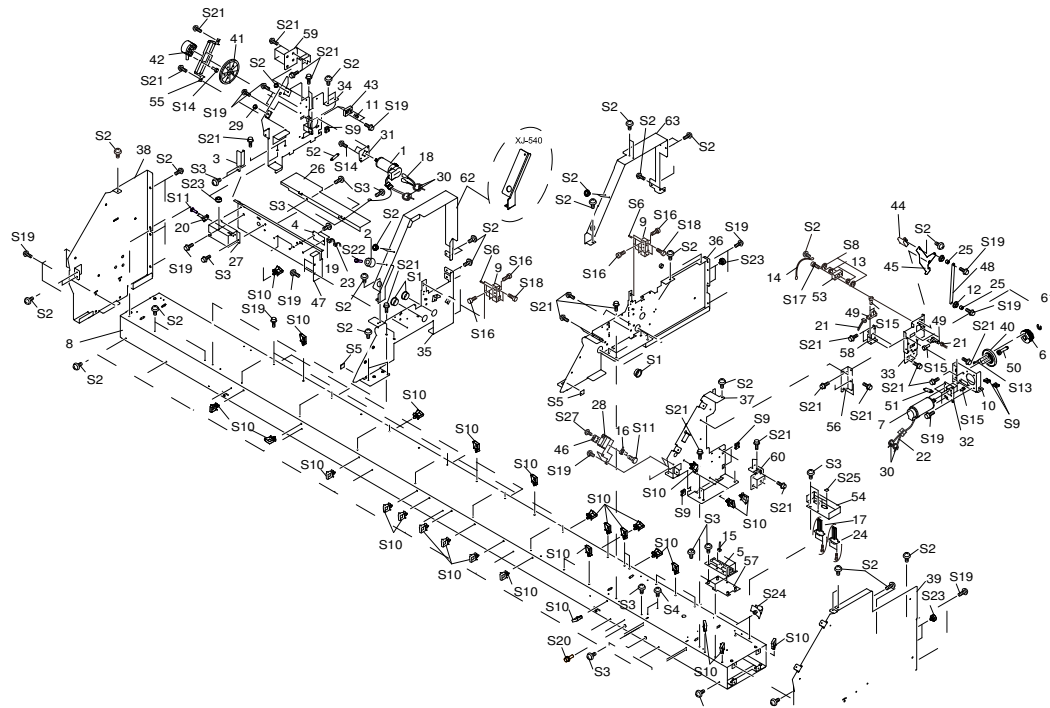


Pos	Code	Description
1	100001517	APRON,F UNDER XC-540
2	100002465	APRON,FRONT XC-540
3	100001616	ASSY,APRON F HEATER XC-540
4	100003667	ASSY,COVER F XJ-540
5	6700311300	ASSY,EXT JUNCTION BOARD 2 XC-540
5	W700311450	ASSY,EXT JUNCTION BOARD XC-540
6	W700311411	ASSY,HEATER CONTROL BOARD XC-540
7	W700731370	ASSY,PANEL BOARD XJ-740
8	W700311430	ASSY,THERMISTOR JUNC BOARD XC-540
9	100002043	CABLE-ASSY,230V SELECTOR XC-540
9	100002044	CABLE-ASSY,117V SELECTOR XC-540
10	100001680	CABLE-ASSY,HEATER CONTROL XC-540
11	100001678	CABLE-ASSY,OP.DRYER CONTROL XC-540
12	100001679	CABLE-ASSY,POWER-BLOWER XC-540
13	100001708	CABLE-ASSY,THERM JUNCTION XC-540
14	100001472	COVER,440CC I/C XC-540
15	100001505	COVER,BACK XC-540
16	100004073	COVER,FRONT XJ-540
17	100001539	COVER,I/C PCM XC-540
18	100001503	COVER,I/S L XC-540
19	100001502	COVER,I/S R XC-540
20	100001501	COVER,L SUS XC-540
21	100001500	COVER,PANEL SUS XC-540
23	100001499	COVER,RAIL F SUS XC-540
24	100003666	COVER,RAIL XJ-540
25	W700310000	COVER,SIDE L XC-540
26	W700310001	COVER,SIDE R XC-540
27	100001496	COVER,TOP F SUS XC-540
28	100001497	COVER,TOP R XC-540
29	12239406	CUSHION,TM-96-6
30	100002466	DRYER,HEATER XC-540
31	100001600	ESCUTCHEON,XC-540
32	12559105	FUSE,5X20 021706.3MXP 6.3A/250V
33	100002474	HOOK,INTERLOCK SW XC-540
34	100001029	KEY TOP,D14 DG AJ-1000
35	1000000111	KEY TOP,D14 WH AJ-1000
36	100004067	LABEL,CAUTION XJ#LA1025
37	1000000953	LABEL,EMBLEM LOGO ROLAND
38	100003489	LABEL,MARK ECO#LA1014
39	100001625	LABEL,SET INK XC-540#LA923

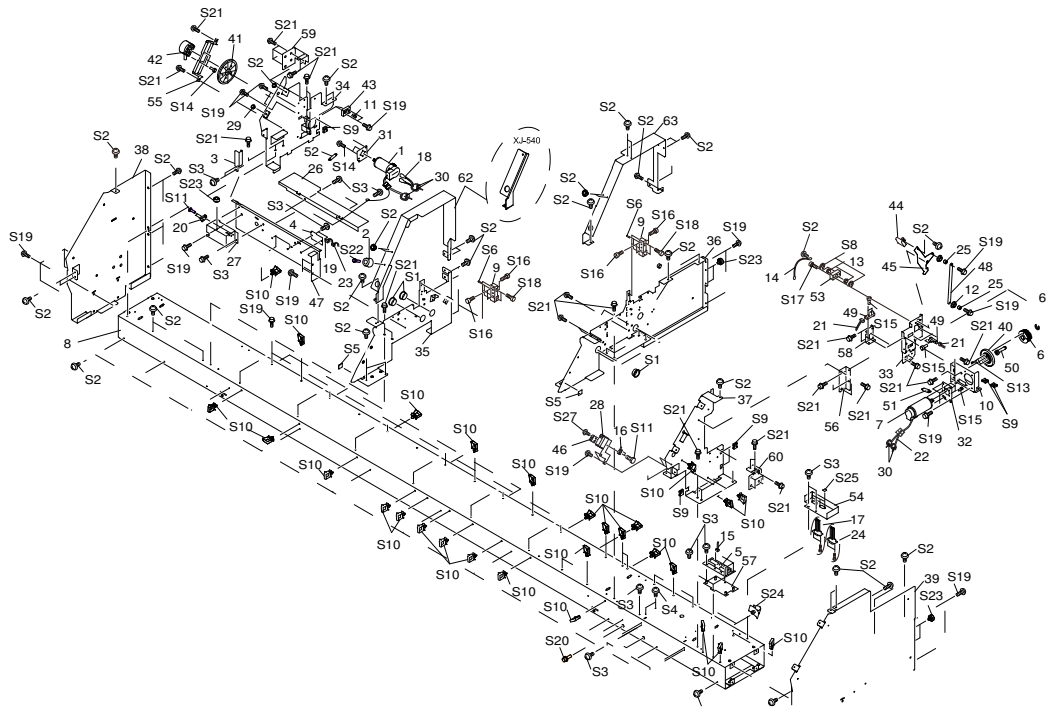


Pos	Code	Description
40	1000002468	PLATE, APRON F BACK XC-540
41	1000004074	PLATE, COVER FRONT LEFT XJ-540
42	1000002472	PLATE, COVER FRONT XC-540
43	1000004068	PLATE, COVER FRONT RIGHT XJ-740
44	1000001565	PLATE, COVER PANEL XC-540
45	1000002469	PLATE, HEATER COVER XC-540
46	1000002471	SHAFT, COVER FRONT XC-540
47	1000003640	SHEET, PANEL XJ-740
48	1000001599	STAY, EXT JB XC-540
49	1000002473	SUPPORT, COVER FRONT XC-540
50	1000001504	SUPPORT, COVER I/S L XC-540
51	1000002467	THERMISTOR 103AT2 L430
52	1000001620	LABEL, USE ECO-SOL MAX#LA924
53	22535286	LABEL, CAUTION COVER #LA265
54	1000004160	LABEL, REFLECTION XC-540#LA1041
55	1000005233	STOPPER, ACRYLIC PLATE LEC-300
S1	31029101	BUSH, NB-19
S2	31329501AS	CLAMP SET, PUSH MOUNT RT30SSF5 20P
S3	31289111AS	CUPSCREW SET, M4*6 NI 100 PCS.
S4	31289111AS	CUPSCREW SET, M4*6 NI 100 PCS.
S5	31289109AS	CUPSCREW SET, M3*4 NI 100 PCS
S6	31289102AS	CUPSCREW SET, M3*6 NI 50 PCS.
S7	31279191	LABEL, WARNING FUSE REPLACE #347
S8	31149601	RING SET, PUSH-ON CS CSTW-3 100 PCS
S9	31409811AS	SADDLE SET, LOCKING WIRE LWS-1211Z 20P
S10	31019703	SCREW, BINDING P-TIGHT M3*8 3C 100P
S11	31139104	SCREW, PLAPOINT M4*6 BK FE
S12	31049169AS	SCREW SET, CAP M4*8 3CBC+PW 20PCS

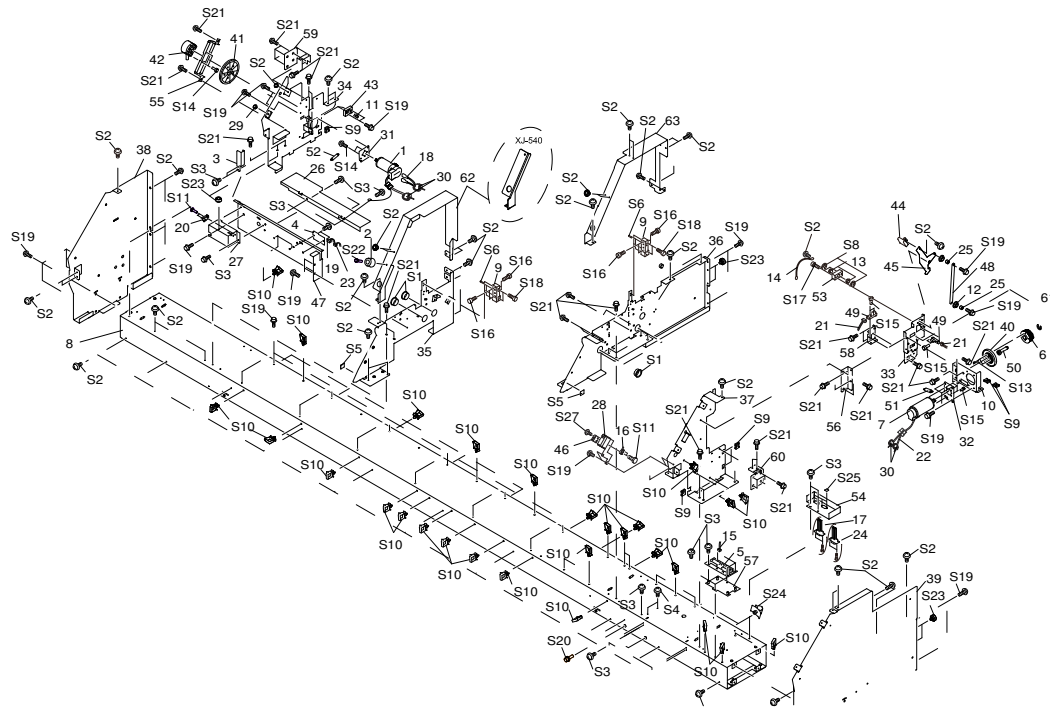




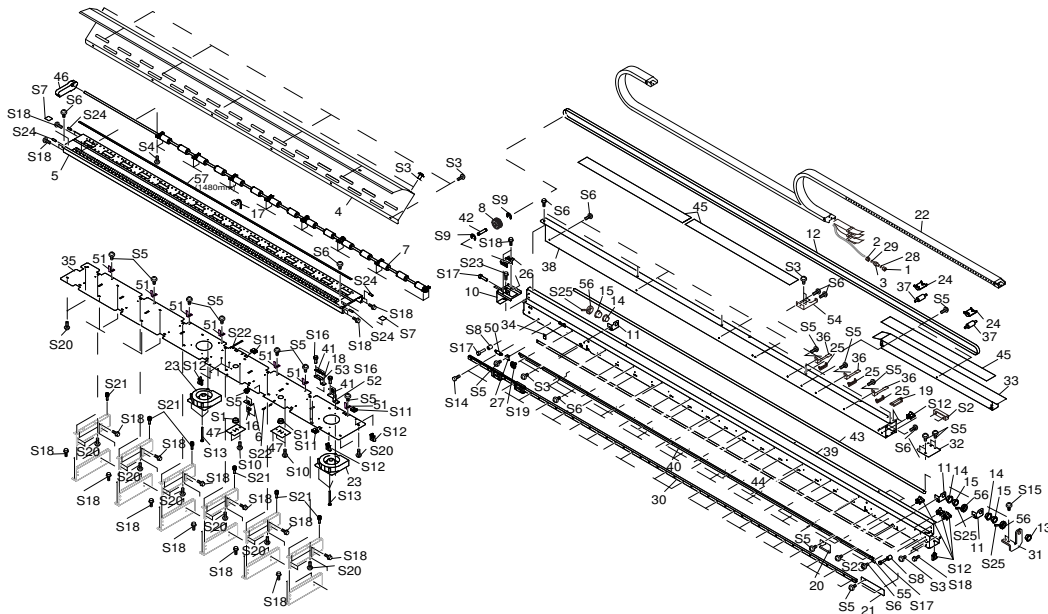
Pos	Code	Description
1	6700739010	ASSY,FEED MOTOR XJ-740
2	11879108	ABSORBER TK-3225
4	W700731390	ASSY,GRIT ENCODER BOARD XJ-740
5	W7007313A0	ASSY,MOTSENS JUNCTION BOARD XJ-740
6	6700319030	ASSY,PULLEY XC-540
7	6700049030	ASSY,SCAN MOTOR SJ-1045EX
8	1000001426	BASE,BOTTOM XC-540
9	22355807	BASE,RAIL FJ-540
10	1000001513	BASE,SCAN MOTOR XC-540
11	22175870	BEARING 10-19ZZ
12	1000018512	BUSH,80F-0603
12	12159573	BUSH,80F-0603
13	1000018503	BUSH,80F-1006
13	12159563	BUSH,80F-1006
14	1000009107	CABLE-ASSY,ESD LEJ-640
15	1000001689	CABLE-ASSY,3-COVER SW XC-540
16	1000001698	CABLE-ASSY,F-COVER SW XC-540
17	1000001706	CABLE-ASSY,TU IF INT XC-540
18	1000001687	CABLE-ASSY,FEED-M XC-540
19	1000001686	CABLE-ASSY,G-ENCODER XC-540
20	1000001702	CABLE-ASSY,M-COVER SW XC-540
21	1000001690	CABLE-ASSY,PINCH-ORG XC-540
22	1000003930	CABLE-ASSY,SCAN-M XC-540_01
23	1000001699	CABLE-ASSY,SW JUNCTION XC-540
24	1000001712	CABLE-ASSY,FD IF INT XC-540
25	1000012953	COLLAR,LEVER FJ-540
25	21745109	COLLAR,LEVER FJ-540
26	1000001553	COVER,FEED MOTOR XC-540
27	1000001552	COVER,I/S SW XC-540
28	1000001526	COVER,INT SW XC-540
29	12239406	CUSHION,TM-96-6
30	12399353	FILTER(E) TFT-081813N F-540
31	21995124	FLANGE,MOTOR FEED FJ-540
32	1000001559	FLANGE,MOTOR SCAN XC-540
33	1000003601	FRAME,DRIVE PULLEY XJ-740
34	1000001431	FRAME,FEED MOTOR XC-540
35	1000003608	FRAME,MIDDLE L XJ-740
36	1000003607	FRAME,MIDDLE R XJ-740
37	1000003605	FRAME,SCAN MOTOR XJ-740
38	1000001430	FRAME,SIDE L XC-540



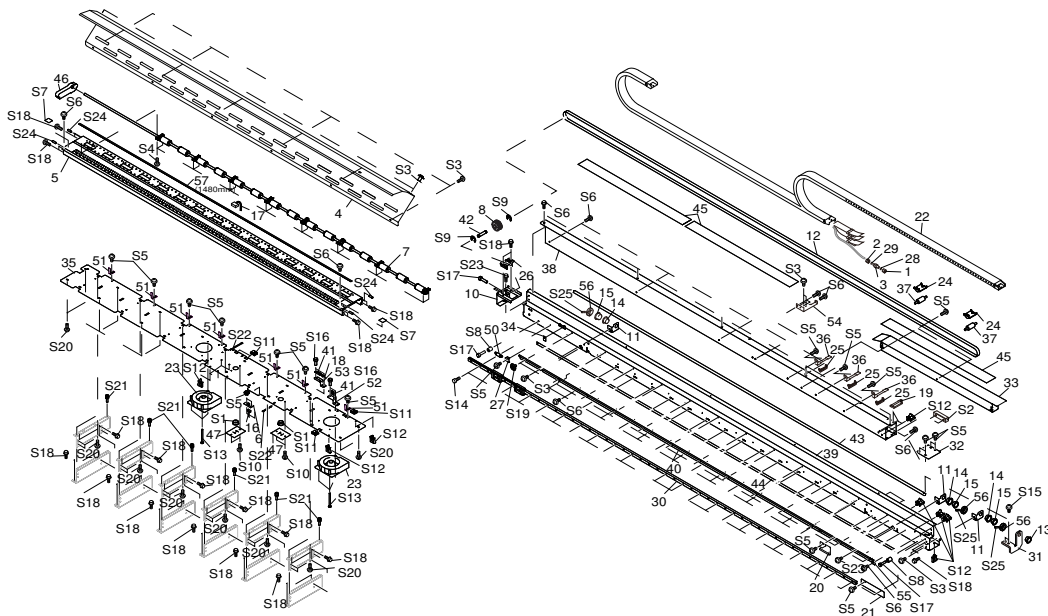
Pos	Code	Description
39	100001429	FRAME,SIDE R XC-540
40	21685149	GEAR,H235S20(B8)T2
41	21685119	GEAR,S300S10 FJ-540
42	25095120	GRIT ENCODER TS5217N561 FJ-540
43	100001444	HOUSING,R-BEARING FRAME XC-540
44	100001601	KNOB,XC-540
44	100015118	KNOB,XC-540_01
45	100001536	LEVER,CAM PINCH XC-540
46	12399102	MAGNET CATCHER TL-105
47	100001551	PLATE,AUTOCUT JOINT XC-540
48	1000003602	PLATE,LEVER LINK XJ-740
49	15229506	SENSOR INTERRUPTER,GP1A05A5
50	1000001480	SHAFT,DRIVE PULLEY XC-540
51	22175157	SPRING,C P-ROLLER CM-500
52	22175521	SPRING,PINCH 930 FJ-540
53	22035161	STAND,LEVER FJ-500
54	100001598	STAY,D-SUB CONNECTOR XC-540
54	1000020286	STAY,D-SUB CONNECTOR LEC-330
55	22715466	STAY,FA-CODER SP-540V
56	100001557	STAY,FRAME SCAN MOTOR XC-540
57	100001562	STAY,MOTOSENS XC-540
58	1000003611	STAY,ORIGIN SENS XJ-740
59	100001564	STAY,RAIL GUIDE L XC-540
60	1000003604	STAY,RAIL GUIDE R XJ-740
61	1000001569	STAY,SHAFT PULLEY XC-540
62	1000003669	SUPPORT,FRAME L SHORT XJ-540
63	1000003642	SUPPORT,FRAME R XJ-740
S1	31029101	BUSH,NB-19
S2	31289111AS	CUPSCREW SET, M4*6 NI 100 PCS.
S3	31289109AS	CUPSCREW SET,M3*4 NI 100 PCS
S4	31289102AS	CUPSCREW SET,M3*6 NI 50 PCS.
S5	31279106	LABEL,CAUTION HOT SURF NO.778
S6	31119904	PIN,SPRING 2.5*8 SUS STRAIGHT 50 PCS
S7	31149704AS	RING SET,E-RING ETW-6 SUS 100 PCS
S8	3000000558	RING,E ETW-7 SUS_TH
S8	31149705	RING SET,E-RING ETW-7 SUS 50PCS
S9	31409702	SADDLE SET,LOCKING WIRE LES-1010 20P
S10	31409811AS	SADDLE SET,LOCKING WIRE LWS-1211Z 20P
S11	31019149	SCREW SET,BINDING M2.3*8 3CBC 100PCS
S13	31049171AS	SCREW SET,CAP M3*12 NI 50 PCS.



Pos	Code	Description
S14	31049170AS	SCREW SET,CAP M3*8 NI 50 PCS.
S15	31049173AS	SCREW SET,CAP M4*10 NI 50 PCS.
S16	31049174AS	SCREW SET,CAP M4*15 NI 20 PCS.
S17	31049175AS	SCREW SET,CAP M4*20 NI 20 PCS.
S18	3000000423	CAP-SCREW,4*25 3CBC 100PCS
S18	31049137AS	SCREW SET,CAP M4*25 3CBC 20 PCS
S19	31049169AS	SCREW SET,CAP M4*8 3CBC+PW 20PCS
S20	31049157	SCREW,CAP M6*20 3CBC+PW+SW
S21	31069104	SCREW,CAP M4*6+FL NI
S22	31799110AS	SCREW SET,CAP M5*20 NI 20PCS.
S23	31139104	SCREW,PLAPOINT M4*6 BK FE
S24	31379111	CLAMP,CABLE CKS-13-H
S25	31109601	NUT SET,SQUARE M3*6*1.6 FE NI 100PCS
S27	31019115AS	SCREW SET,BINDING M3*4 3CBC 100 PCS

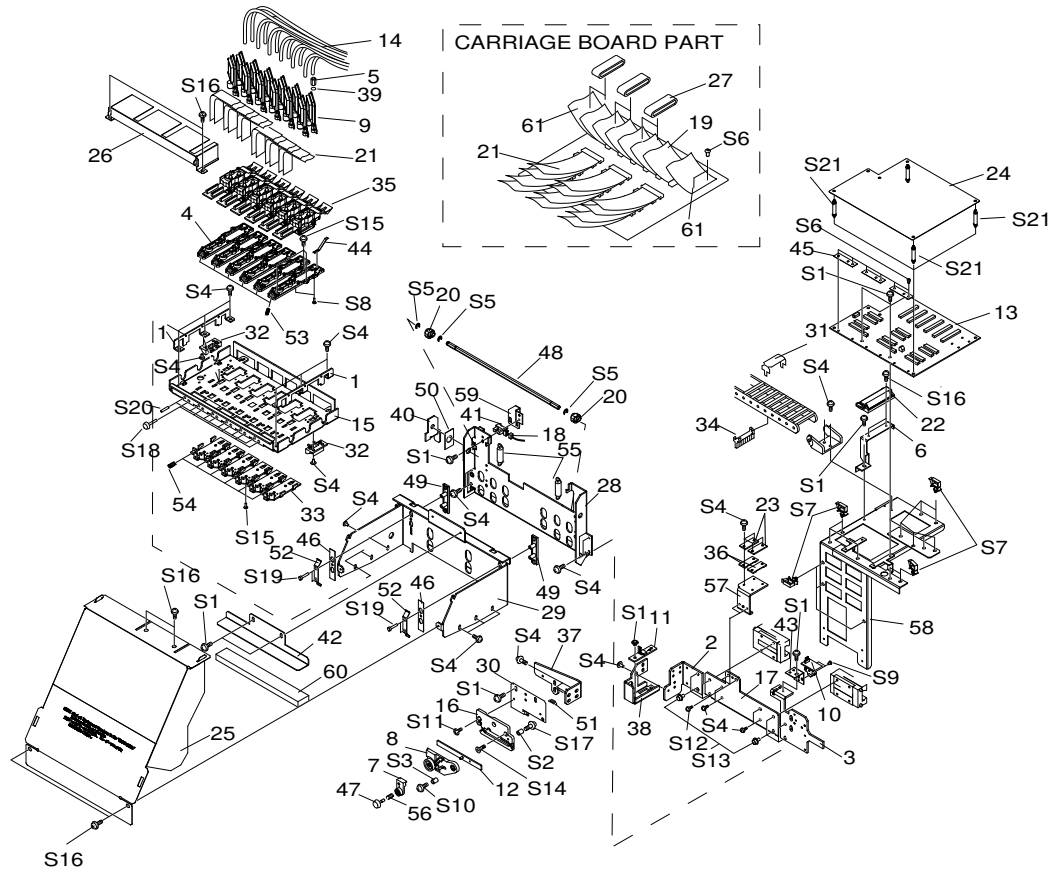


Pos	Code	Description
1	11909133	ADAPTER,SCREW 2FAI FJ-50
2	11909167	ADAPTER,SCREW 3FAI FJ-540
3	1000001589	ADAPTER,TUBE 2-3FAI XC-540
4	1000001521	APRON,B XC-540
5	1000003659	ASSY,BED HEATER XJ-540
6	W7007313B0	ASSY,FAN JUNCTION BOARD XJ-740
7	6700710090	ASSY,GRIT SHAFT XJ-540
8	6700319030	ASSY,PULLEY XC-540
10	1000003600	BASE,IDLE PULLEY XJ-740
11	1000003657	BASE,SHAFT SQUARE XJ-740
12	1000001902	BELT,150S2M2500LW-C
13	1000018512	BUSH,80F-0603
13	12159573	BUSH,80F-0603
14	12529104	BUSH,80F-1410
15	1000001068	BUSH,80F-1610
16	1000001685	CABLE-ASSY,FAN JUNCTION XC-540
18	1000001692	CABLE-ASSY,PAPER-SENS XC-540
19	11769118	CLAMP,FCM2-S6-14
20	1000003636	COVER,RAIL UNDER L XJ-740
21	1000003637	COVER,RAIL UNDER R XJ-740
22	1000001425	COVER,TKP0180-2B R100-084
23	1000000764	FAN,A35577-55ROL
24	1000000387	GUIDE,CABLE POM AJ-1000
25	1000001566	GUIDE,TUBE XC-540
26	1000001555	HOLDER,IDLE PULLEY XC-540
27	21655131	HOLDER,LINEAR SCALE CJ-70
28	11659149	HOLDER,RING O 2FAI FJ-50
29	11659249	HOLDER,RING O 3FAI FJ-540
30	21895153	L-BEARING SSR15XW2UE+2320LY
31	1000003598	LEVER,SHAFT XJ-740
32	1000003787	PLATE,FLEX COVER XJ-740
33	1000001560	PLATE,GUIDE CABLE VEYOR XC-540
34	22055316	PLATE,LINEAR SCALE CJ-70
35	1000001492	PLATE,SHUTTER BED XC-540
36	1000001568	PLATE,TUBE GUIDE XC-540
37	21565105	P-ROLLER FD8S3(B15L30)
38	1000003661	RAIL,CABLE XJ-540
39	1000003660	RAIL,GUIDE XJ-540
40	1000003663	RAIL,LINEAR SCALE XJ-540
41	15099115	SENSOR-INTERRUPTER GP2A25NJ

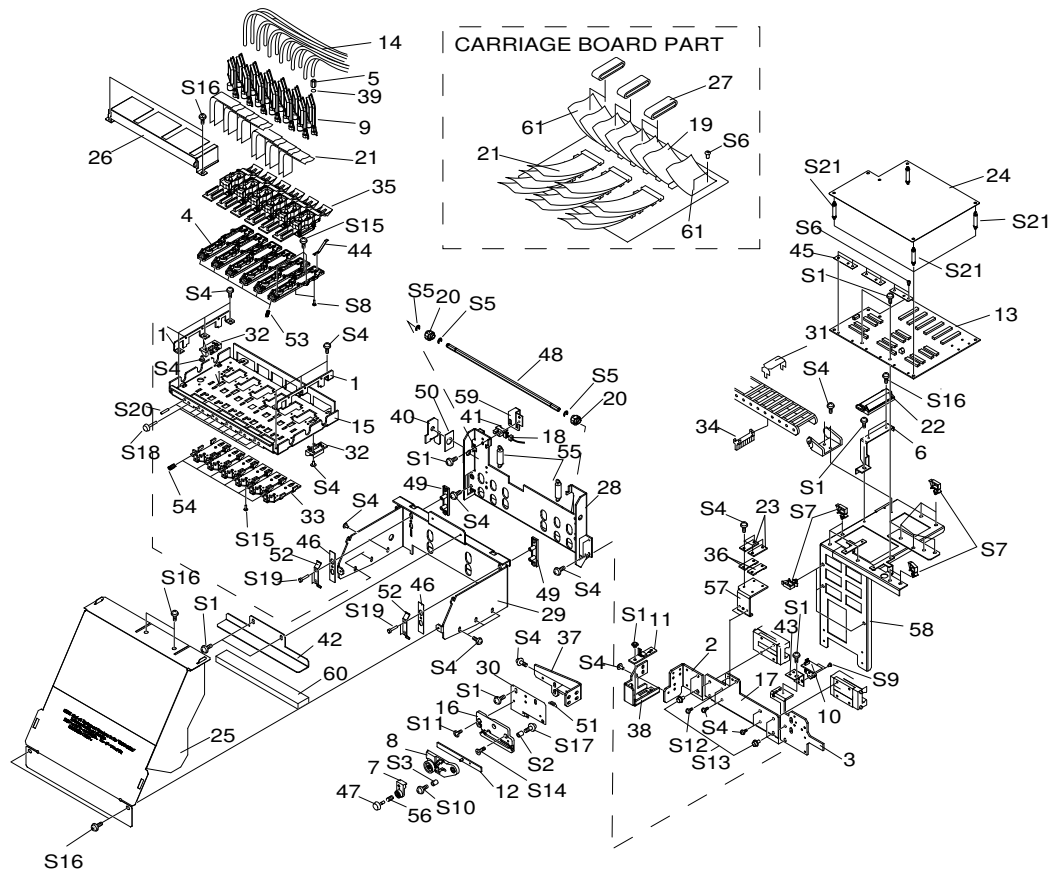


Pos	Code	Description
42	1000001479	SHAFT,IDLE PULLEY XC-540
43	1000003662	SHAFT,SQUARE XJ-540
44	1000003665	SHEET,LINEAR SCALE XJ-540
45	21475141	SHEET,RAIL CABLE FJ-540
46	1000001567	SHUTTER,BED XC-540
47	21625103	SHUTTER,HEATER CORD SP-300
50	22175122	SPRING,BACK UP PNC-960
51	1000001576	SPRING,PRE HEATER XC-540
52	1000002064	STAY,P-SENSOR B XC-540
53	1000001493	STAY,P-SENSOR XC-540
54	1000001541	STAY,TUBE XC-540
55	22135441	STOPPER,LINEAR SCALE FJ-540
56	1000003612	STOPPER,SHAFT SQUARE XJ-740
57	31549107	TAPE,REFLECTION FNS 50 8*10M
S1	31029101	BUSH,NB-19
S2	31379101	CLAMP,FLAT CABLE FCS-50P
S3	31289111AS	CUPSCREW SET, M4*6 NI 100 PCS.
S4	31289112AS	CUPSCREW SET,M3*10 NI 100 PCS.
S5	31289109AS	CUPSCREW SET,M3*4 NI 100 PCS
S6	31289102AS	CUPSCREW SET,M3*6 NI 50 PCS.
S7	31279106	LABEL,CAUTION HOT SURF NO.778
S8	31129102	PIPE SET,POLYCA 4*8*10 20PCS
S9	31149704AS	RING SET,E-RING ETW-6 SUS 100 PCS
S10	31299102AS	RIVET SET,NYLON P2655B 20 PCS.
S11	31409702	SADDLE SET,LOCKING WIRE LES-1010 20P
S12	31409811AS	SADDLE SET,LOCKING WIRE LWS-1211Z 20P
S13	31019124	SCREW SET,BINDING M3*35 NI 50 PCS
S14	31049155AS	SCREW SET,CAP M3*12 BC+PW 20 PCS.
S15	31049142AS	SCREW SET,CAP M3*6 NI MEC 20 PCS
S16	31049170AS	SCREW SET,CAP M3*8 NI 50 PCS.
S17	31049174AS	SCREW SET,CAP M4*15 NI 20 PCS.
S18	31049169AS	SCREW SET,CAP M4*8 3CBC+PW 20PCS
S19	31239103AS	SCREW SET,W-SEMS M3*8 NI+PW 50 PCS
S20	31019703	SCREW,BINDING P-TIGHT M3*8 3C 100P
S21	31179106	SCREW,JACK UP SP-540V
S22	31329601AS	CLAMP SET,INSULOK T-18S 100 PCS.
S23	31069104	SCREW,CAP M4*6+FL NI
S24	31119904	PIN,SPRING 2.5*8 SUS STRAIGHT 50 PCS
S25	31199704AS	SCREW SET,SET WP M3*8 NI 20 PCS

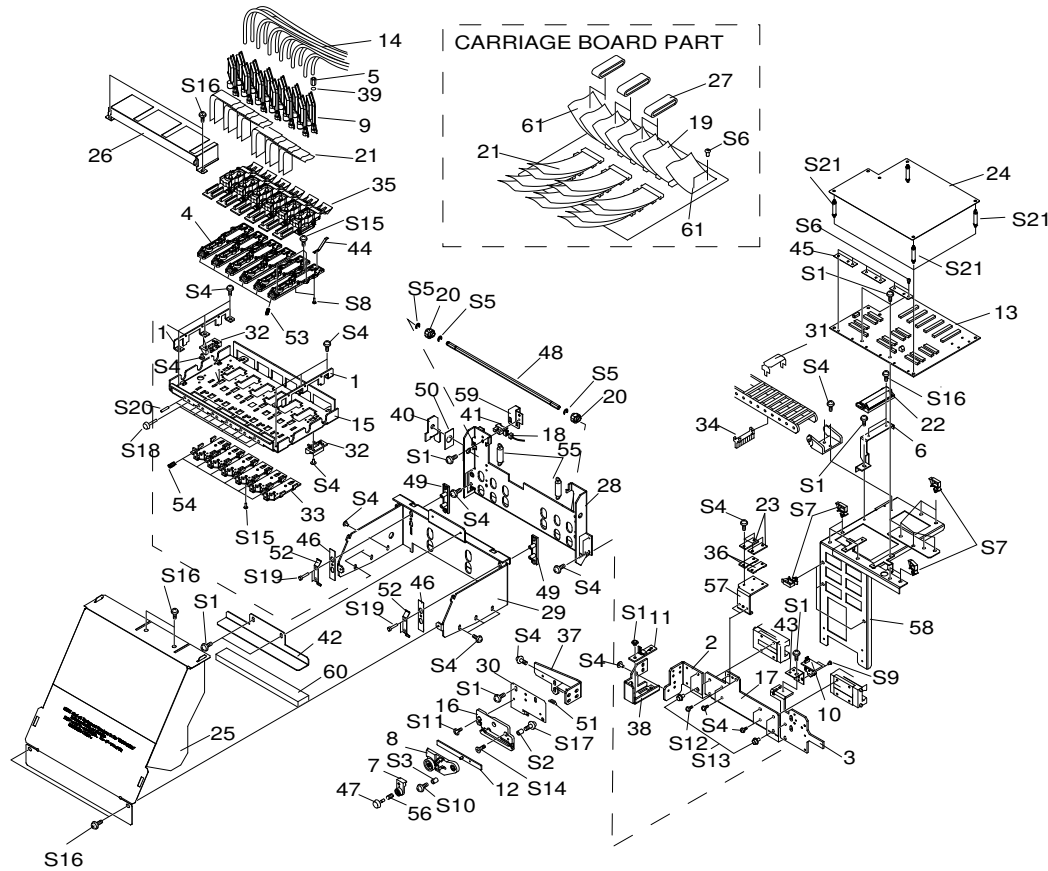




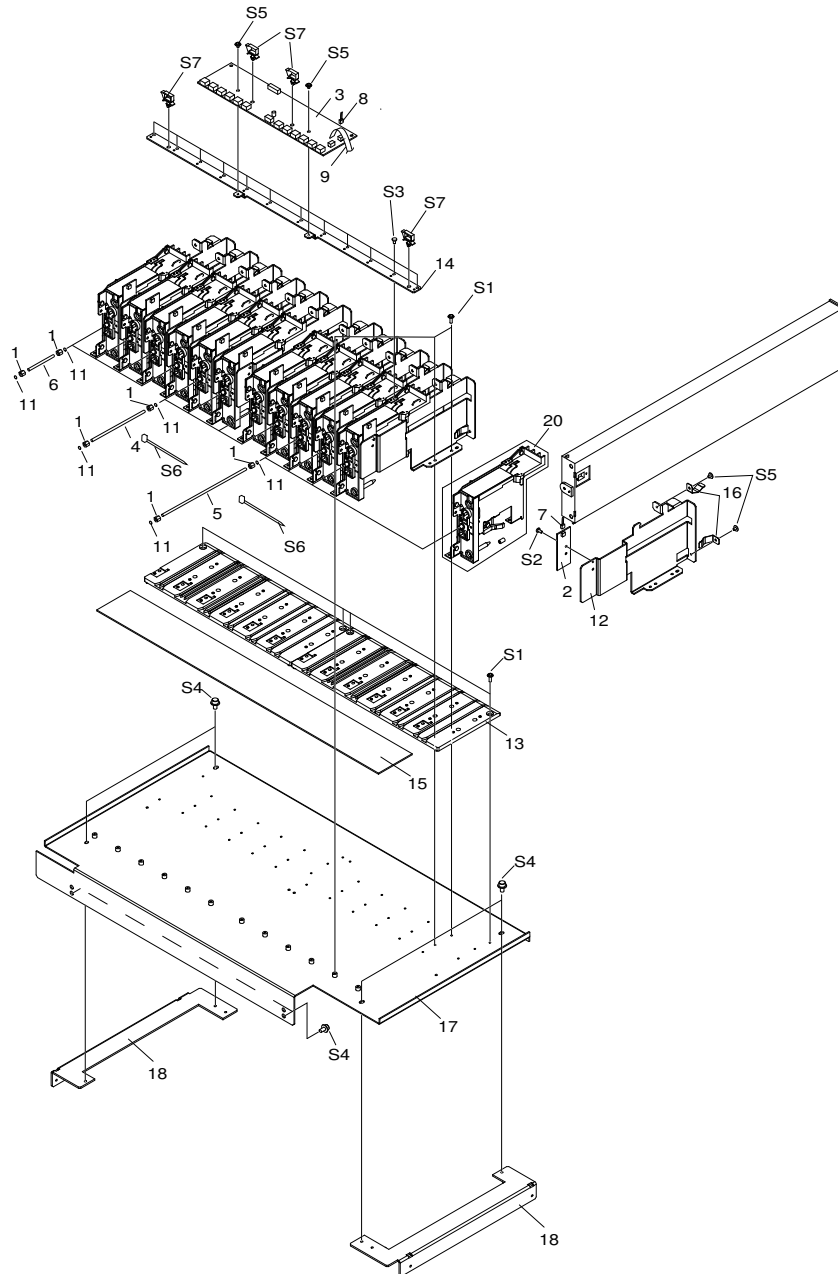
Pos	Code	Description
1	100001461	ADAPTER,BASE CARRIAGE XC-540
2	1000003621	ADAPTER,CARRIAGE L XJ-740
3	1000001453	ADAPTER,CARRIAGE R XC-540
4	21905166	ADAPTER,HEAD FJ-540
5	11909167	ADAPTER,SCREW 3FAI FJ-540
6	1000001550	ADAPTER,STAY HOLDER XC-540
7	22805292	ASSY,CLAMP BLADE SV CM-500
8	22805291	ASSY,HOLDER BLADE SV CM-500
9	6085393800	ASSY,INK DAMPER L 3FAI 4 SJ-1000
10	6700049050	ASSY,LINEAR ENC BOARD SERVICE 2
10	W700311380	ASSY,LINEAR ENCODER BOARD XC-540
10	W700731380	ASSY,LINEAR ENCODER BOARD XJ-740
11	W7007313D0	ASSY,PAPERSIDE SENS BOARD XJ-740
12	22805396	ASSY,PLATE CAM SLIDE FJ-500
13	W700731310	ASSY,PRINT CARRIAGE BOARD XJ-740
14	1000002061	ASSY,TUBING 3*2170MM XC-540
15	1000001448	BASE,CARRIAGE AL XC-540
16	22355656	BASE,CUTTER CM-500
17	1000003618	BASE,HOLDER CARRIAGE XJ-740
18	1000001700	CABLE-ASSY,HEAD U/D SENS XC-540
18	1000017250	CABLE-ASSY,HEAD U/D SENS SV XC-540
19	23475198	CABLE-CARD 36P1 2940L BB
20	1000015115	CAM,CARRIAGE FJ-540_02
20	21775103	CAM,CARRIAGE FJ-540
21	23475232	CARD CABLE,21P1 385L BB HIGH-V
22	11769118	CLAMP,FCM2-S6-14
23	1000020055	COVER,BELT HOLDER EGX-600TH
23	22025646	COVER,BELT HOLDER EGX-600
24	1000001520	COVER,CARRIAGE BOARD XC-540
25	1000002258	COVER,CARRIAGE XC-540_01
26	1000001529	COVER,HEAD BOARD XC-540
27	12399352	FILTER(E) FRC-45-12-6.5
28	1000003619	FRAME,CARRIAGE BASE XJ-740
29	1000003620	FRAME,CARRIAGE U/D XJ-740
30	22115798	FRAME,CUTTER FJ-500
31	22135602	GUIDE,CABLE FJ-500
32	22135618	GUIDE,CARRIAGE CAP FJ-540
33	22135440	GUIDE,HEAD AL FJ-540
34	1000001566	GUIDE,TUBE XC-540
35	1000002201	ASSY,HEAD INKJET SOL XC-540



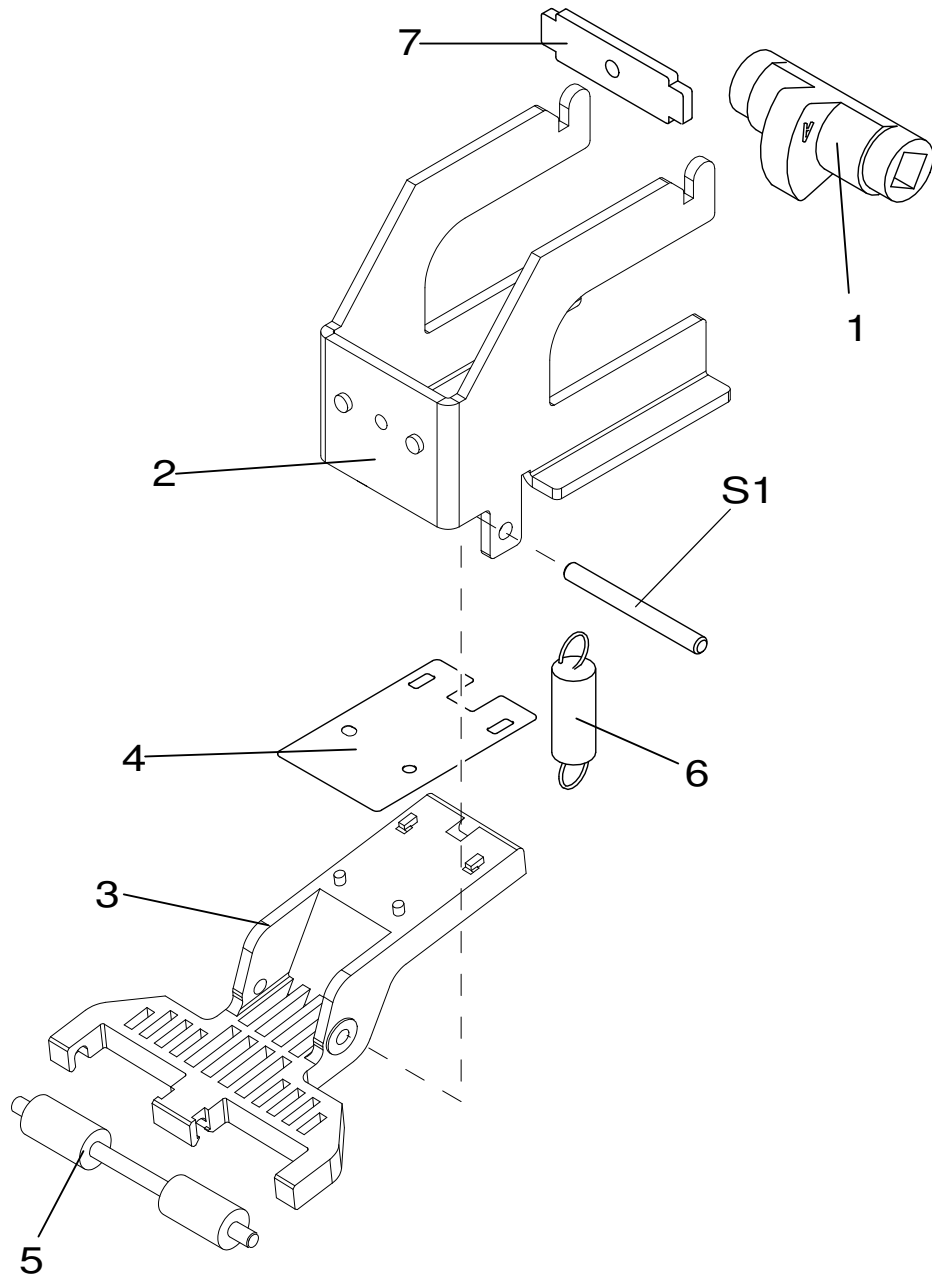
Pos	Code	Description
35	6000005213	ASSY,HEAD INKJET SOL XC-540 SV2
36	1000015114	HOLDER,BELT EGX-600_01
36	21655232	HOLDER,BELT EGX-600
37	1000003622	HOLDER,CUTTER XJ-740
38	1000003623	HOLDER,PAPER SENSOR XJ-740
39	11659249	HOLDER,RING O 3FAI FJ-540
40	1000001465	LEVER,CARRIAGE XC-540
41	1000011069	SENSOR-INTERRUPTER,OJ-535S-A5
41	15229705	PHOTO INTERRUPTER GP1A71A1
42	1000001454	PLATE,DAMPER XC-540
43	22055557	PLATE,ENC SENS FJ-540
44	22055547	PLATE,GND FJ-540
45	22055486	PLATE,HOLD FILTER W11 CX-500
46	22055548	PLATE,SLIDER CARRIAGE FJ-540
47	21495115	SCREW,BLADE SET CM-500
48	22155960	SHAFT,HEXAGON CARRIAGE FJ-540
49	1000015113	SLIDER,CARRIAGE FJ-540_02
49	22185127	SLIDER,CARRIAGE FJ-540
50	22165216	SPACER,UD LEVER FJ-540
51	1000012947	SPRING,BLADE UP CM-500
51	22175154	SPRING,BLADE UP CM-500
52	1000014902	SPRING,CARRIAGE SIDE FJ-50
52	22175159	SPRING,CARRIAGE SIDE FJ-50
53	22175520	SPRING,HEAD ADJUST 500 FJ-540
54	22175519	SPRING,HEAD PRESS 500 FJ-540
55	22625109	SPRING,PULL CARRIAGE 3500 FJ-540
56	1000012948	SPRING,SCREW CM-500
56	22175155	SPRING,SCREW CM-500
57	1000003617	STAY,HOLDER BELT XJ-740
58	1000001452	STAY,HOLDER CARRIAGE XC-540
59	1000001466	STAY,SENSOR CARRIAGE XC-540
60	1000001597	SUPPORT,DAMPER XC-540
61	21655248	HOLDER,CABLE FJ-540
S1	31289109AS	CUPSCREW SET,M3*4 NI 100 PCS
S2	31029801AS	BUSH SET,ROLL 2*4 3C100PCS
S3	31029803AS	BUSH SET,ROLL 3*5 3C 20PCS.
S4	31289102AS	CUPSCREW SET,M3*6 NI 50 PCS.
S5	31149703AS	RING SET,E-RING ETW-4 100 PCS.
S6	31299102AS	RIVET SET,NYLON P2655B 20 PCS.
S7	3000000560	SADDLE,LOCKING WIRE LWS-0711Z_TH



Pos	Code	Description
S7	31409801AS	SADDLE,LOCKING WIRE LWS-0711Z 20P
S8	31679902AS	SCREW SET C-SEMS M2*8 NI 100 PCS
S9	31019148AS	SCREW SET,BINDING M2.6*4 NI 100 PCS
S10	31019118AS	SCREW SET,BINDING M3*10 3CBC 100PCS
S11	31019116AS	SCREW SET,BINDING M3*6 3CBC 100 PCS
S12	31049142AS	SCREW SET,CAP M3*6 NI MEC 20 PCS
S13	31049169AS	SCREW SET,CAP M4*8 3CBC+PW 20PCS
S14	31169103AS	SCREW SET,FLAT M3*6 3CBC 100 PCS
S15	31089121AS	SCREW SET,PAN M2.3*8 NI+PW 100PCS
S16	31089110AS	SCREW SET,PAN M3*4 NI+PW 100 PCS
S17	31229103AS	SCREW SET,TRUSS M2*6 NI 100 PCS
S18	31179908AS	SCREW SET,UREA M3*20 N-1 WH 50PCS
S19	31799103	SCREW SET,CAP M3*15 NI 20PCS
S20	31199905AS	SCRW SET,SET CONE M3*16 NI 20 PCS
S21	3000000032	SPACER,WPCS-19S-4.0



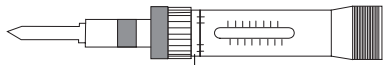
Pos	Code	Description
1	11909133	ADAPTER,SCREW 2FAI FJ-50
2	W700311520	ASSY,CARTRIDGE IC BOARD XC-540
3	W700311511	ASSY,INK TANK BOARD XC-540
4	1000002058	ASSY,TUBING 2*1100MM XC-540
5	1000002059	ASSY,TUBING 2*1300MM XC-540
6	1000002060	ASSY,TUBING 2*900MM XC-540
7	1000001703	CABLE-ASSY,INK CARTRIDGE XC-540
8	1000001683	CABLE-ASSY,INK SERIAL XC-540
9	1000001899	CABLE-CARD,6P1 420L BB HIGH-V
10	11659218	HOLDER,IC SC-500
11	11659149	HOLDER,RING O 2FAI FJ-50
12	1000001473	PLATE,HOLDER I/C XC-540
13	1000001580	PLATE,INK CMCM XC-540
14	1000001509	PLATE,INK JOINT XC-540
15	21475141	SHEET,RAIL CABLE FJ-540
16	22625103	SPRING,PRESS CARTRIDGE SP-300
17	1000001471	STAND,INK CARTRIDGE XC-540
18	1000001542	STAY,I/C XC-540
19	21435109	TUBE,SILICONE 3*5*8 FJ-540
20	6700980300	ASSY,HOLDER I/C RS-540
S1	31289112AS	CUPSCREW SET,M3*10 NI 100 PCS.
S2	31019116AS	SCREW SET,BINDING M3*6 3CBC 100 PCS
S3	31019801	SCREW,BINDING S-TIGHT M3*6 3C 100PCS
S4	31049169AS	SCREW SET,CAP M4*8 3CBC+PW 20PCS
S5	31289109AS	CUPSCREW SET,M3*4 NI 100 PCS
S6	31329601AS	CLAMP SET,INSULOK T-18S 100 PCS.
S7	3000000560	SADDLE,LOCKING WIRE LWS-0711Z_TH
S7	31409801AS	SADDLE,LOCKING WIRE LWS-0711Z 20P



Pos	Code	Description
1	21775105	CAM,PINCH ROLLER SHAFT SJ-1000
2	1000003610	FRAME,PINCH XJ-740
3	1000003615	LEVER,PINCH XJ-740
4	1000003652	PLATE,LEVER PINCH XJ-740
5	1000003616	P-ROLLER,FD8S3(B15B15L60)
6	1000000900	SPRING,PINCH 2000 AJ-1000
7	22715260	STAY,PINCH SPRING 2 FJ-500
S1	31119108	PIN,PARALLEL 3*30 SUS H7



Pos	Code	Description
1	ST-056	TORQUE DRIVER N6
2	ST-001	TENSION GAUGE 2000GF/2000CN
3	1000003138	SET,CLEANER STICK TX712A 10PCS.
3	1000007172	CLEANER SET,STICK TX712A 100PCS
3	ST-037	CLEAN STICK TX712A
4	21755107	CLEANING LIQUID(SL) 500ML
4	6702419050	CLEANING LIQUID(ESL5) 500ML
5	22085118	KIT,CLEANING(SL)
5	6701409310	KIT,CLEANING(ESL5) 100ML



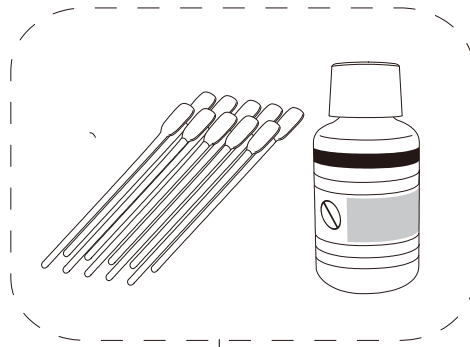
1



4



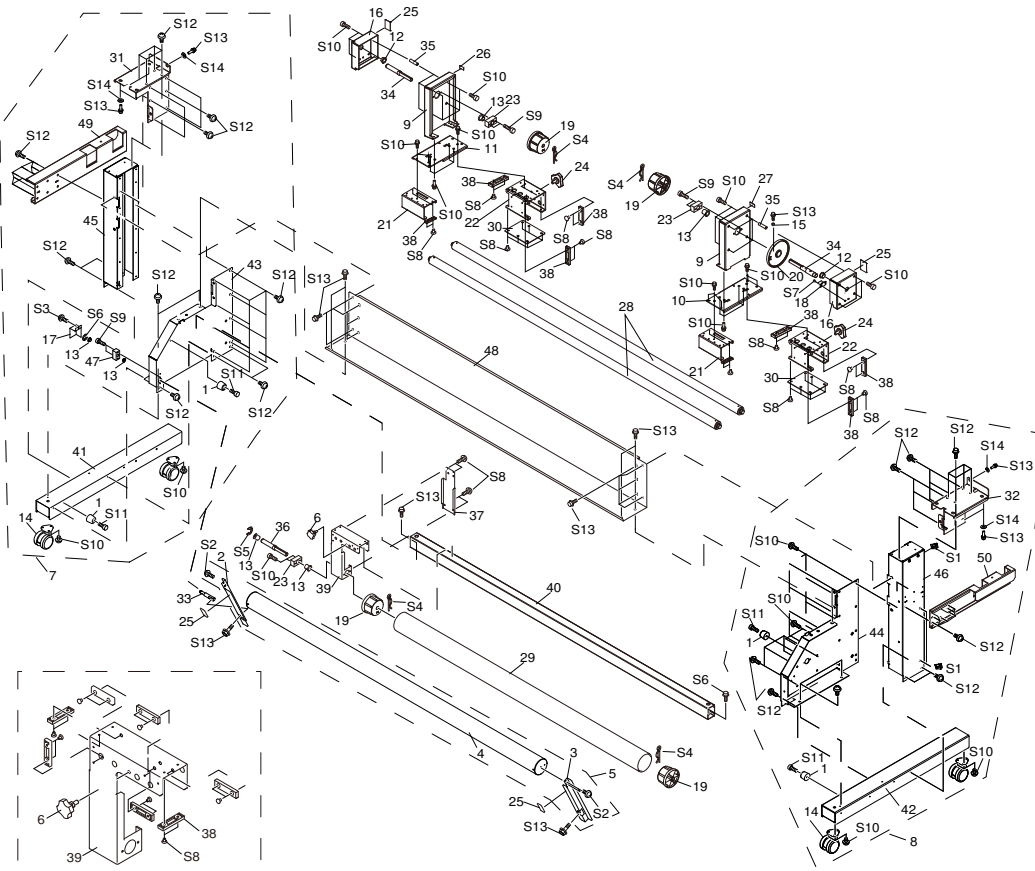
2



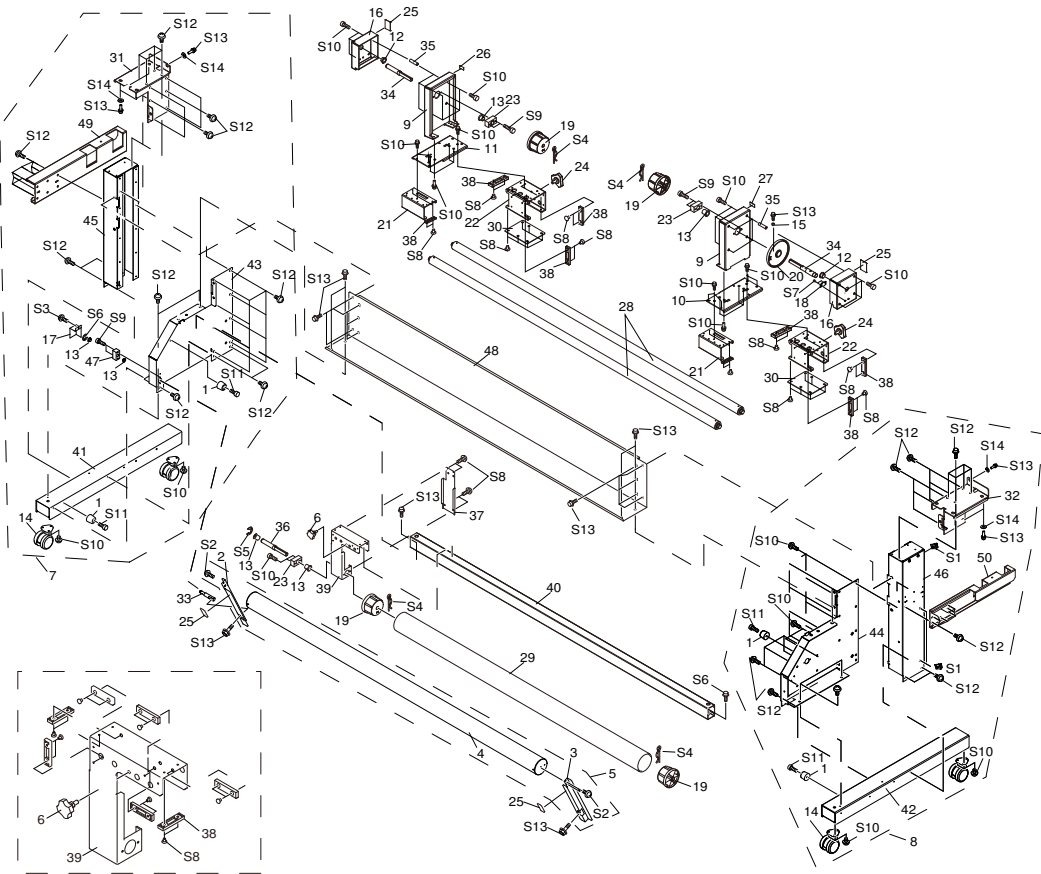
5



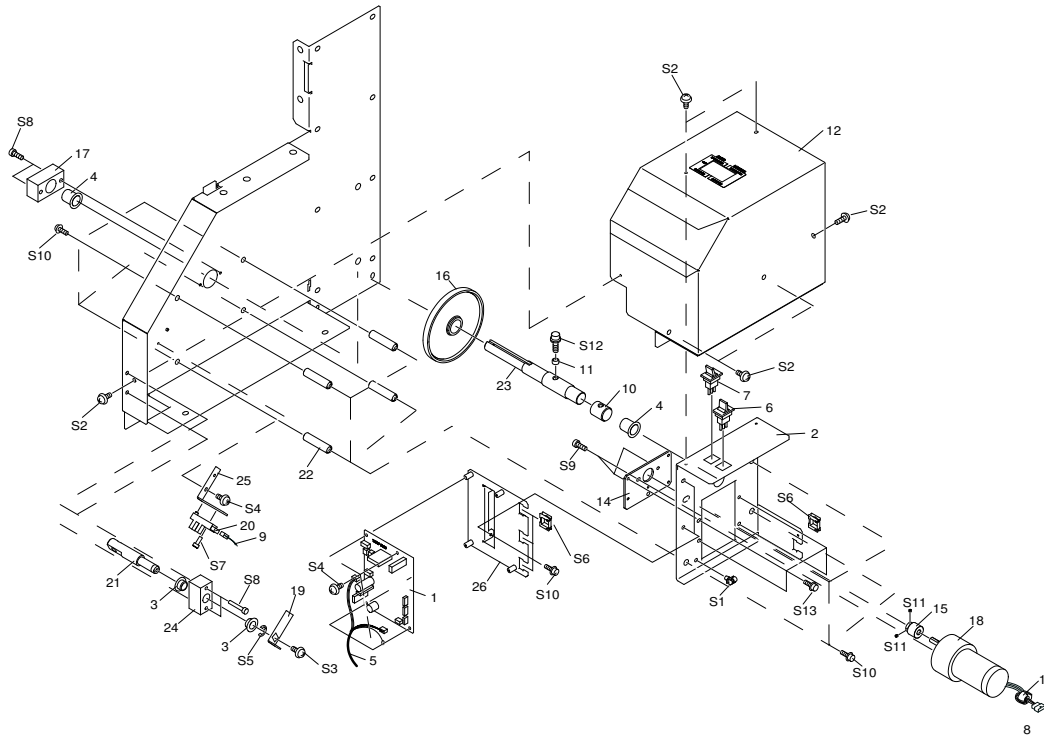
3



Pos	Code	Description
1	11879108	ABSORBER TK-3225
2	100002464	ARM,DANCER L XC-540
3	100002463	ARM,DANCER R XC-540
4	100002462	DANCER BAR XC-540
5	100001610	ASSY,DANCER BAR XC-540
6	22805230	ASSY,SCREW TUC-6070
7	100003648	ASSY,STAND LEG L XJ-740
8	100003647	ASSY,STAND LEG R XJ-740
9	100003628	BASE,FEEDER XJ-740
10	100003658	BASE,SLIDER L XJ-740
11	100003633	BASE,SLIDER R XJ-740
12	100001068	BUSH,80F-1610
13	100001352	BUSH,80F-1620
13	1000018502	BUSH,80F-1620
14	100003892	CASTER,STAND XJ-740
15	100001593	COLLAR,TU XC-540
16	100003629	COVER,FEEDER XJ-740
17	100001470	COVER,TU L XC-540
18	100003546	DAMPER,FRT-G2-101G3
19	100001584	FLANGE,GUIDE 3 XC-540
20	100001442	GEAR,S96(B8M0.8) XC-540
21	100003634	HOLDER,SLIDER F XJ-740
22	100003630	HOLDER,SLIDER R XJ-740
23	100001592	HOUSING,80F-1620 XC-540
24	100003545	KNOB,BOLT 117-10313
25	22535347	LABEL,CAUTION PINCH-2 #LA423
26	100001090	LABEL,CLAMP L AJ-1000#LA913
27	100001089	LABEL,CLAMP R AJ-1000#LA912
28	100003668	PIPE,FEEDER SHAFT XJ-540
29	100001457	PIPE,TAKE UP XC-540
30	100003631	PLATE,SLIDER XJ-740
31	100003889	PLATE,STAND L XJ-740
32	100003888	PLATE,STAND R XJ-740
33	100001455	SHAFT,DANCER XC-540
34	100003653	SHAFT,FEEDER XJ-740
35	100001445	SHAFT,SPACER TU XC-540
36	100001458	SHAFT,TU SLIDER XC-540
37	100001460	SILDER,HOLDER PLATE XC-540
38	22185103	SLIDER,1 TUC-6070
39	100003047	SLIDER,ARM TUC-2

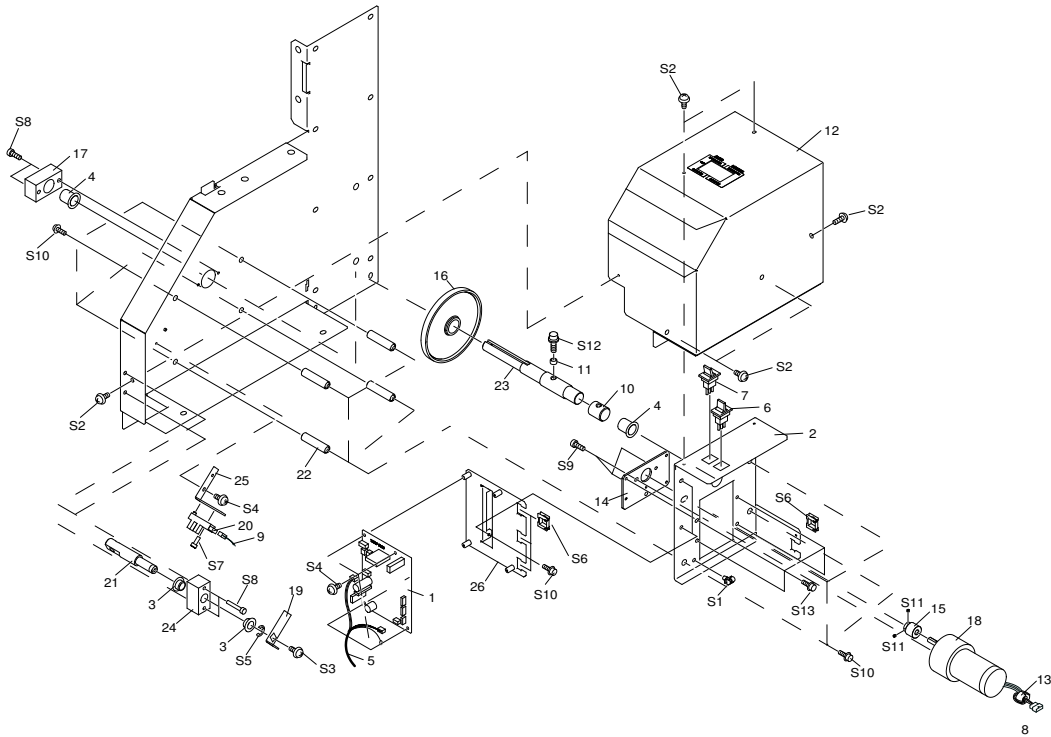


Pos	Code	Description
40	1000001463	SLIDER,RAIL XC-540
41	1000002511	STAND,BASE L XC-540
42	1000002507	STAND,BASE R XC-540
43	1000002512	STAND,FRAME TU L XC-540
44	1000002508	STAND,FRAME TU R XC-540
45	1000003887	STAND,LEG L XJ-740
46	1000003886	STAND,LEG R XJ-740
47	22035196	STAND,LEVER SP-300
48	1000001462	STAND,STAY XC-540
49	1000003891	STAY,GUIDE MEDIA L XJ-740
50	1000003890	STAY,GUIDE MEDIA R XJ-740
S1	31379111	CLAMP,CABLE CKS-13-H
S2	31289111AS	CUPSCREW SET, M4*6 NI 100 PCS.
S3	31289109AS	CUPSCREW SET,M3*4 NI 100 PCS
S4	31119701	PIN,SNAP M14 SUS
S5	31149707AS	RING SET,E-RING ETW-12 SUS 20 PCS
S6	3000000558	RING,E ETW-7 SUS_TH
S6	31149705	RING SET,E-RING ETW-7 SUS 50PCS
S7	31019169	SCREW SET,BINDING M2*4 NI 100 PCS.
S8	31019115AS	SCREW SET,BINDING M3*4 3CBC 100 PCS
S9	3000000423	CAP-SCREW,4*25 3CBC 100PCS
S9	31049137AS	SCREW SET,CAP M4*25 3CBC 20 PCS
S10	31049169AS	SCREW SET,CAP M4*8 3CBC+PW 20PCS
S11	31799110AS	SCREW SET,CAP M5*20 NI 20PCS.
S12	31239106AS	SCREW SET,W-SEMS M4*8 3CBC 50 PCS
S13	31049157	SCREW,CAP M6*20 3CBC+PW+SW
S14	31249220AS	WASHER SET,PLAIN 6.5*16*1 NI 100PCS

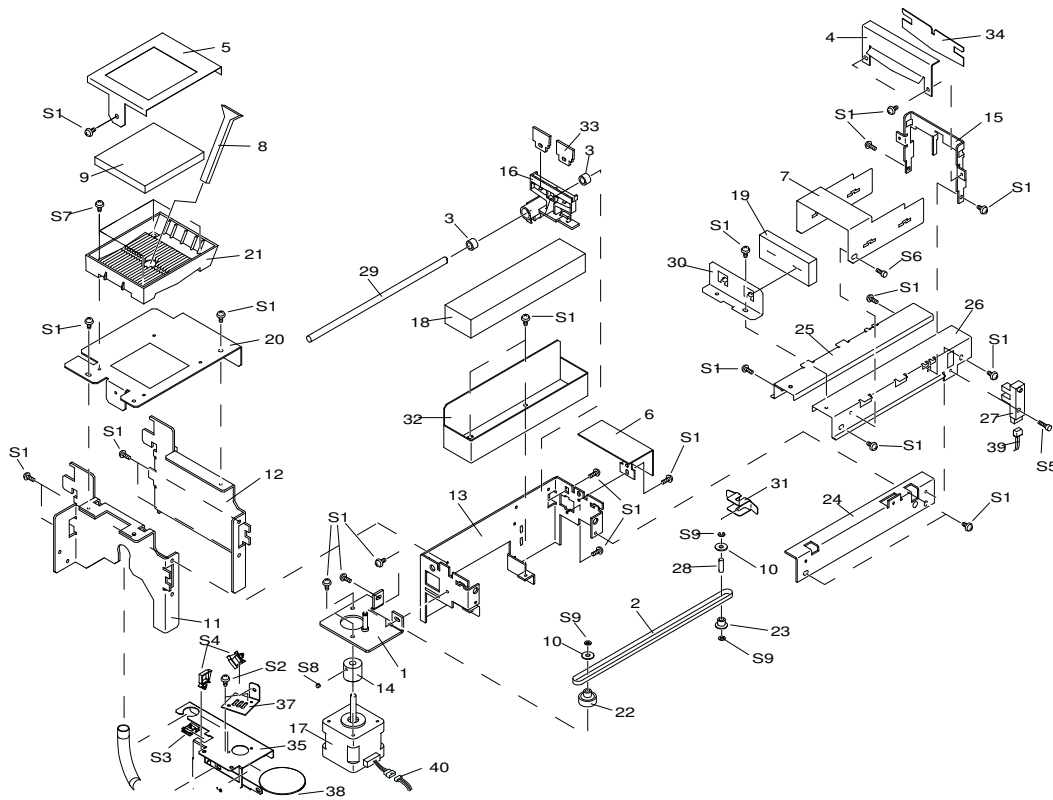


Pos	Code	Description
1	6700311200	ASSY,TAKEUP BOARD XC-540
2	1000001446	BASE,TU MOTOR XC-540
3	1000018503	BUSH,80F-1006
3	12159563	BUSH,80F-1006
4	1000001352	BUSH,80F-1620
4	1000018502	BUSH,80F-1620
5	1000001707	CABLE-ASSY,TU IF EXT XC-540
6	1000001710	CABLE-ASSY,TU MANUAL SW XC-540
7	1000001711	CABLE-ASSY,TU MODE SEL SW XC-540
8	1000003785	CABLE-ASSY,TUMTR RELAY XJ-740
9	1000001705	CABLE-ASSY,TU-SENS XC-540
10	1000003654	CAP,COVER TU XJ-740
11	1000001593	COLLAR,TU XC-540
12	1000001469	COVER,TU R XC-540
13	12399353	FILTER(E) TFT-081813N F-540
14	1000001443	FLANGE,TU MOTOR XC-540
15	1000001441	GEAR,S14.4(B12M0.8) XC-540
16	1000001442	GEAR,S96(B8M0.8) XC-540
17	1000001592	HOUSING,80F-1620 XC-540
18	1000001402	MOTOR,DME37K50G-128
19	1000001456	PLATE,SENSOR DANCER XC-540
20	15229506	SENSOR INTERRUPTER,GP1A05A5
21	1000001455	SHAFT,DANCER XC-540
22	1000001445	SHAFT,SPACER TU XC-540
23	1000001447	SHAFT,TU XC-540
24	22035196	STAND,LEVER SP-300
25	1000001467	STAY,DANCER SENS XC-540
26	1000001468	STAY,TU BOARD XC-540
S1	31329501AS	CLAMP SET,PUSH MOUNT RT30SSF5 20P
S2	31289105AS	CUPSCREW SET, M3*6 3CBC 100 PCS
S3	31289111AS	CUPSCREW SET, M4*6 NI 100 PCS.
S4	31289109AS	CUPSCREW SET,M3*4 NI 100 PCS
S5	3000000558	RING,E ETW-7 SUS_TH
S5	31149705	RING SET,E-RING ETW-7 SUS 50PCS
S6	31409702	SADDLE SET,LOCKING WIRE LES-1010 20P
S7	31049173AS	SCREW SET,CAP M4*10 NI 50 PCS.
S8	3000000423	CAP-SCREW,4*25 3CBC 100PCS
S8	31049137AS	SCREW SET,CAP M4*25 3CBC 20 PCS
S9	31799107	SCREW SET,CAP M4*6 NI 20PCS
S10	31049169AS	SCREW SET,CAP M4*8 3CBC+PW 20PCS

Pos	Code	Description
S11	31199701AS	SCREW SET,SET WP M3*3 NI 20 PCS
S12	31049157	SCREW,CAP M6*20 3CBC+PW+SW
S13	31069104	SCREW,CAP M4*6+FL NI

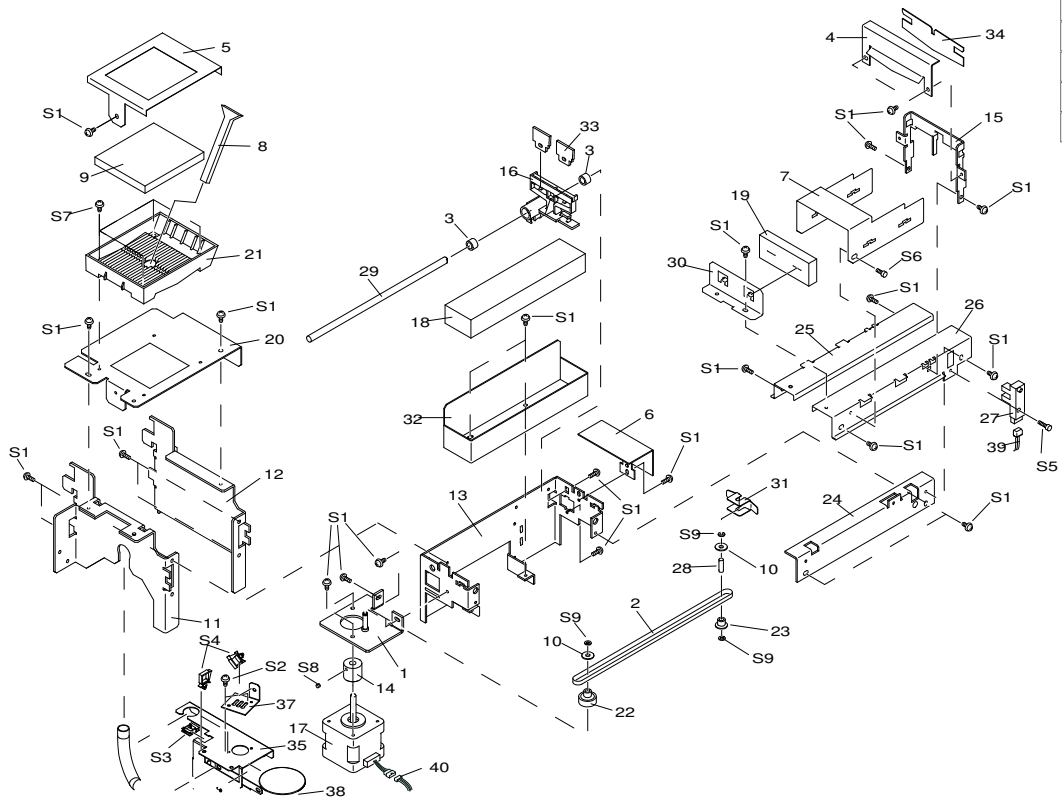


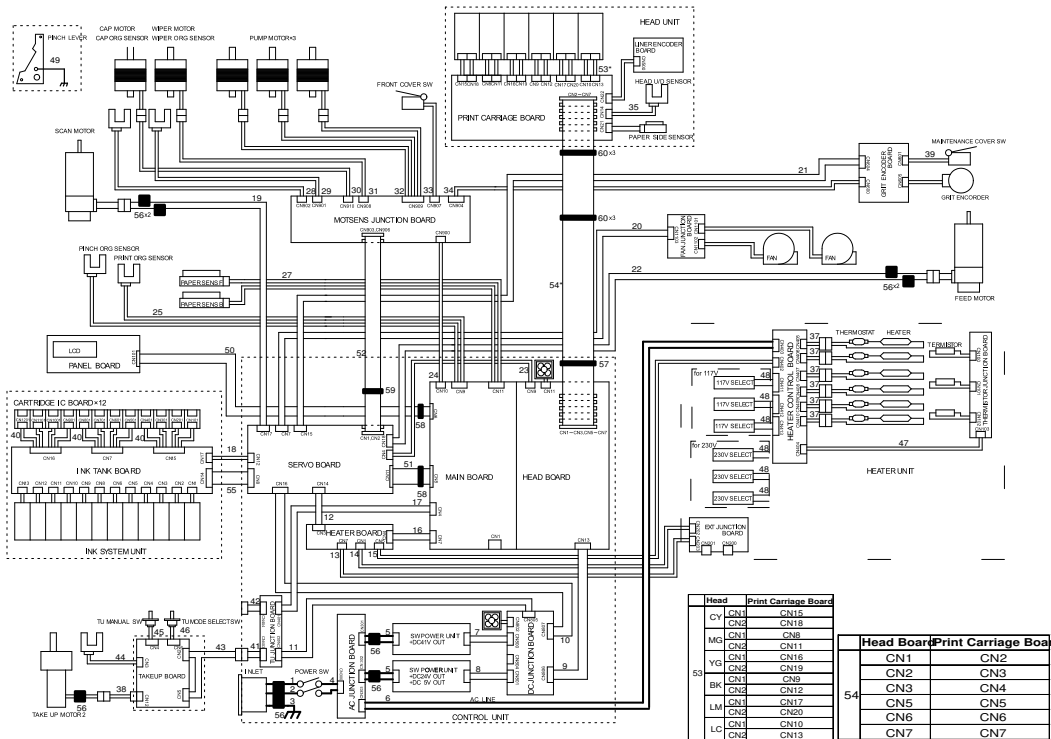




Pos	Code	Description
1	1000001487	BASE,WIPER MOTOR XC-540
2	11929138	BELT,408P2M4-530
3	12159536	BUSH,B-S6-17
4	1000001595	COVER,SCRAPER XC-540
5	1000001609	COVER,SERGE MIST XC-540
6	1000001606	COVER,WIPE R XC-540
7	1000001491	COVER,WIPE XC-540
8	22275122	FILTER(M),INNER SERGEMIST SJ-540
9	1000000415	FILTER(M),SERGE MIST 3 SJ-540
10	21995104	FLANGE,PULLEY STX-7
11	1000001481	FRAME,FLUSH F XC-540
12	1000001482	FRAME,FLUSH R XC-540
13	1000001483	FRAME,WIPER XC-540
14	21685144	GEAR,S53S5(B15) FJ-540
15	1000001488	HOLDER,SCRAPER XC-540
16	21655245	HOLDER,WIPER FJ-540
17	1000018516	MOTOR,103-593-1041
17	22435106	MOTOR,103-593-1041
18	1000001508	PAD,WIPE TRAY XC-540
19	21545159	PAD,WIPE F SJ-540
20	1000001510	PLATE,FLUSH XC-540
21	22055537	PLATE,SERGE MIST FJ-540
22	21975124	PULLEY,T14P2S4 + GEAR,S53
23	21975123	PULLEY,WD6.94S9
24	1000001485	RAIL,GUIDE WIPER XC-540
25	1000001490	RAIL,WIPER L XC-540
26	1000001486	RAIL,WIPER R XC-540
27	15229506	SENSOR INTERRUPTER,GP1A05A5
28	1000004034	SHAFT,WIPE PULLEY XC-540
29	22155961	SHAFT,WIPER FJ-540
30	1000001489	SHUTTER,WIPE F XC-540
31	22175140	SPRING,TENSIONER STX-7
32	1000001484	TRAY,WIPE XC-540
33	1000003390	WIPER,HEAD FOR SOLINK
34	1000001658	WIPER,SCRAPER XC-540
35	1000001527	HOLDER,INK TRASH XC-540
36	1000001528	HOLDER,GUIDE INK TRASH XC-540
37	1000001596	PLATE,INK TRASH XC-540
38	12139657	GUIDE,INK FUNNEL PE 6-316-03
39	1000001694	CABLE-ASSY,WIPER-SENS XC-540

Pos	Code	Description
40	1000001696	CABLE-ASSY,WIPER-M XC-540
41	1000002870	ASSY,TUBING DRAIN 300MM XC-540
S1	31289102AS	CUPSCREW SET,M3*6 NI 50 PCS.
S2	31289109AS	CUPSCREW SET,M3*4 NI 100 PCS
S3	31409702	SADDLE SET,LOCKING WIRE LES-1010 20P
S4	31409811AS	SADDLE SET,LOCKING WIRE LWS-1211Z 20P
S5	31049171AS	SCREW SET,CAP M3*12 NI 50 PCS.
S6	31049170AS	SCREW SET,CAP M3*8 NI 50 PCS.
S7	31089110AS	SCREW SET,PAN M3*4 NI+PW 100 PCS
S8	31199701AS	SCREW SET,SET WP M3*3 NI 20 PCS
S9	31249952	WASHER SET,POLYSLIDER 2.6*5*.5 CUT 20PCS



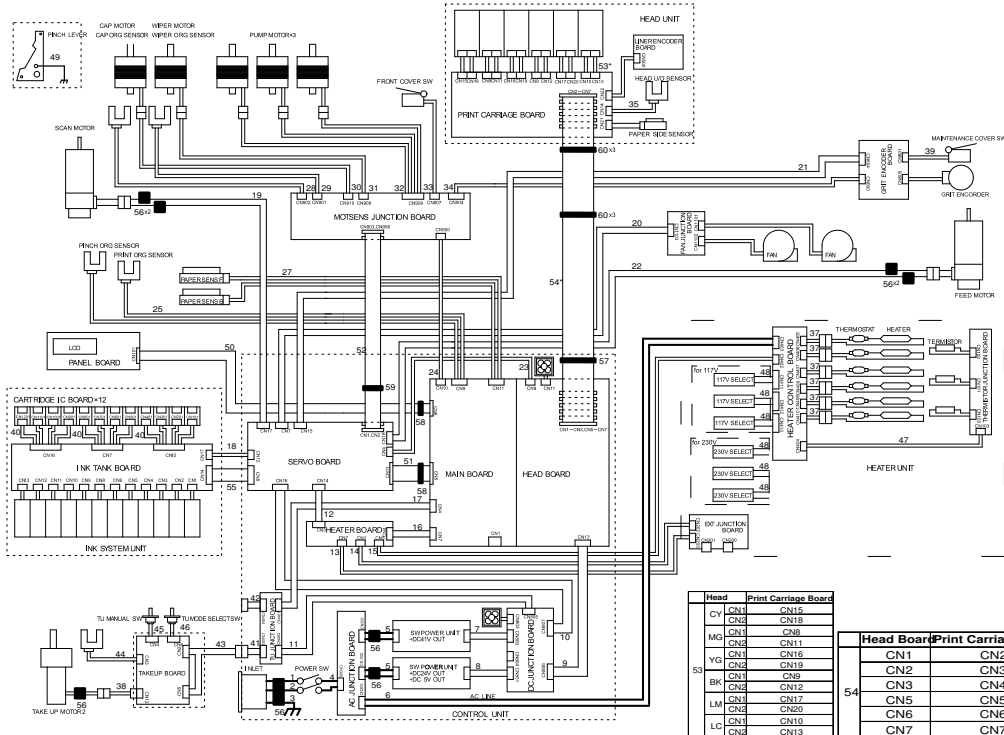


Head	Print Carriage Board
CY CN1	CN15
CN2	CN18
MG CN1	CN8
CN2	CN11
YG CN1	CN16
CN2	CN19
LM CN1	CN9
CN2	CN12
BK CN1	CN17
CN2	CN20
LC CN1	CN10
CN2	CN13

Head Board	Print Carriage Board
54 CN1	CN1
CN2	CN3
CN3	CN4
CN4	CN5
CN5	CN6
CN6	CN7

Pos	Code	Description
1	100001668	CABLE-ASSY,POWER-AC-L XC-540
2	100001669	CABLE-ASSY,POWER-AC-N XC-540
3	100000574	CABLE-ASSY GND AJ-1000
4	100001670	CABLE-ASSY,POWER-AC-JUNCTION XC-540
5	100004054	CABLE-ASSY,POWER-AC-DC XJ-740
6	100001672	CABLE-ASSY,POWER-DRYER XC-540
7	100001673	CABLE-ASSY,POWER-DC-B XC-540
8	100001674	CABLE-ASSY,POWER-DC-A XC-540
9	100001675	CABLE-ASSY,POWER-HEAD XC-540
10	100001676	CABLE-ASSY,POWER-SERVO XC-540
11	100001704	CABLE-ASSY,POWER-TU XC-540
12	100001677	CABLE-ASSY,POWER-HEATER XC-540
13	100001678	CABLE-ASSY,OP.DRYER CONTROL XC-540
14	100001679	CABLE-ASSY,POWER-BLOWER XC-540
15	100001680	CABLE-ASSY,HEATER CONTROL XC-540
16	100001681	CABLE-ASSY,HEATER SERIAL XC-540
17	100001682	CABLE-ASSY,TU CONTROL XC-540
18	100001683	CABLE-ASSY,INK SERIAL XC-540
19	100001684	CABLE-ASSY,SCAN-M XC-540
20	100001685	CABLE-ASSY,FAN JUNCTION XC-540
21	100001686	CABLE-ASSY,G-ENCODER XC-540
22	100001687	CABLE-ASSY,FEED-M XC-540
23	100001688	CABLE-ASSY,HEAD FAN XC-540
24	100001689	CABLE-ASSY,3-COVER SW XC-540
25	100001690	CABLE-ASSY,PINCH-ORG XC-540
27	100001692	CABLE-ASSY,PAPER-SENS XC-540
28	100001693	CABLE-ASSY,CAP-SENS XC-540
29	100001694	CABLE-ASSY,WIPER-SENS XC-540
30	100001695	CABLE-ASSY,CAP-M XC-540
31	100001696	CABLE-ASSY,WIPER-M XC-540
32	100001697	CABLE-ASSY,PUMP-M XC-540
33	100001698	CABLE-ASSY,F-COVER SW XC-540
34	100001699	CABLE-ASSY,SW JUNCTION XC-540
35	100001700	CABLE-ASSY,HEAD U/D SENS XC-540
37	1000003707	CABLE-ASSY,HEATER XJ-740
38	1000003785	CABLE-ASSY,TUMTR RELAY XJ-740
39	100001702	CABLE-ASSY,M-COVER SW XC-540
40	100001703	CABLE-ASSY,INK CARTRIDGE XC-540
41	100001706	CABLE-ASSY,TU IF INT XC-540
42	100001712	CABLE-ASSY,FD IF INT XC-540



Head	Print Carriage Board
CY CN1	CN15
CN2	CN18
MG CN1	CN8
CN2	CN11
YG CN1	CN16
CN2	CN19
BK CN1	CN9
CN2	CN12
LM CN1	CN17
CN2	CN20
LC CN1	CN10
CN2	CN13

Head Board	Print Carriage Board
CN1	CN2
CN2	CN3
CN3	CN4
CN4	CN5
CN5	CN6
CN6	CN7

Pos	Code	Description
43	1000001707	CABLE-ASSY,TU IF EXT XC-540
44	1000001705	CABLE-ASSY,TU-SENS XC-540
45	1000001710	CABLE-ASSY,TU MANUAL SW XC-540
46	1000001711	CABLE-ASSY,TU MODE SEL SW XC-540
47	1000001708	CABLE-ASSY,THERM JUNCTION XC-540
48	1000004056	CABLE-ASSY,230V SELECTOR XJ-740
48	1000004057	CABLE-ASSY,117V SELECTOR XJ-740
49	1000009107	CABLE-ASSY,ESD LEJ-640
50	23475196	CABLE CARD 24P1 850L BB FJ-540
51	1000001900	CABLE-CARD,25P1 250L BB HIGH-V
52	1000001898	CABLE-CARD,26P1 880L BB HIGH-V
53	23475232	CARD CABLE,21P1 385L BB HIGH-V
54	23475198	CABLE-CARD 36P1 2940L BB
55	1000001899	CABLE-CARD,6P1 420L BB HIGH-V
56	12399353	FILTER(E) TFT-081813N F-540
57	1000001748	FILTER(E),EFC-40-S
58	12399331	FILTER(E),FPC-31-12
59	12399351	FILTER(E) FRC-40-12-6.5 FJ-540
60	12399352	FILTER(E) FRC-45-12-6.5