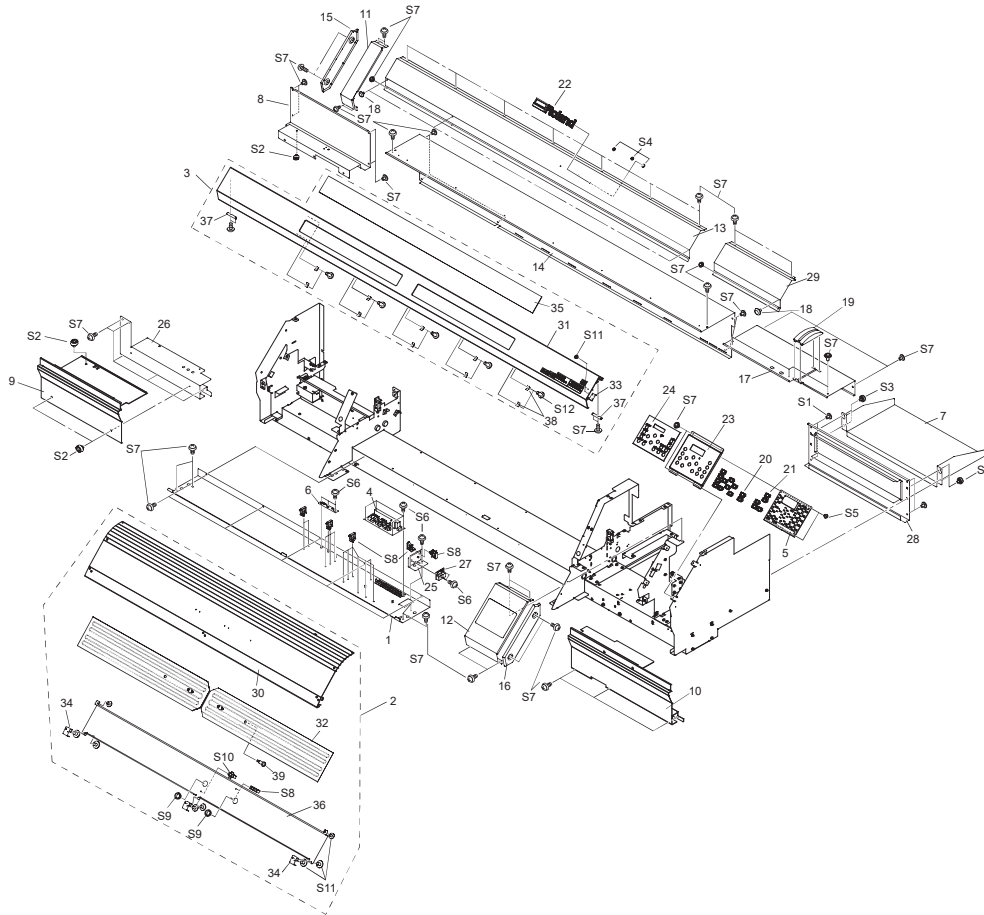


1 Structure & Spare Parts

1-1 COVER



PARTS LIST -Main Parts-

Parts No.	Parts Name
1	1000001517 APRON,F UNDER XC-540
2	1000001616 ASSY,APRON F HEATER XC-540
3	1000001614 ASSY,COVER F XC-540
4	W700311411 ASSY,HEATER CONTROL BOARD XC-540
5	W700311370 ASSY,PANEL BOARD XC-540
6	W700311430 ASSY,THERMISTOR JUNC BOARD XC-540
7	1000001472 COVER,440CC I/C XC-540
8	1000001505 COVER,BACK XC-540
9	1000001503 COVER,I/S L XC-540
10	1000001502 COVER,I/S R XC-540
11	1000001501 COVER,L SUS XC-540
12	1000001500 COVER,PANEL SUS XC-540
13	1000001499 COVER,RAIL F SUS XC-540
14	1000001498 COVER,RAIL XC-540
15	W700310000 COVER,SIDE L XC-540
16	W700310001 COVER,SIDE R XC-540
17	1000001497 COVER,TOP R XC-540
18	12239406 CUSHION,TM-96-6
19	1000001600 ESCUTCHEON,XC-540
20	1000001029 KEY TOP,D14 DG AJ-1000
21	1000000111 KEY TOP,D14 WH AJ-1000
22	1000000953 LABEL,EMBLEM LOGO ROLAND
23	1000001565 PLATE,COVER PANEL XC-540
24	1000001578 SHEET,PANEL XC-540
25	1000001599 STAY,EXT JB XC-540
26	1000001504 SUPPORT,COVER I/S L XC-540
27	W700311450 ASSY,EXT JUNCTION BOARD XC-540

PARTS LIST -Supplemental Parts-

Parts No.	Parts Name
28	1000001539 COVER,I/C PCM XC-540
29	1000001496 COVER, TOP F SUS XC-540
30	1000002465 APRON,FRONT XC-540
31	1000002470 COVER,FRONT APRON XC-540
32	1000002466 DRYER,HEATER XC-540
33	1000002474 HOOK,INTERLOCK SW XC-540
34	1000002468 PLATE,APRON F BACK XC-540
35	1000002472 PLATE,COVER FRONT XC-540
36	1000002469 PLATE,HEATER COVER XC-540
37	1000002471 SHAFT,COVER FRONT XC-540
38	1000002473 SUPPORT,COVER FRONT XC-540
39	1000002467 THERMISTOR 103AT2 L430

PARTS LIST -Supplemental Parts-

Parts No.	Parts Name
S1	31049169 SCREW SET,CAP M4*8 3CBC+PW 20PCS
S2	31139103 PLAPOINT,FE4*6 WH
S3	31139104 SCREW,PLAPOINT M4*6 BK FE
S4	31149601 RING SET,PUSH-ON CS CSTW-3 100 PCS
S5	31289102 CUPSCREW SET,M3*6 NI 50 PCS.
S6	31289109 CUPSCREW SET,M3*4 NI 100 PCS.
S7	31289111 CUPSCREW SET, M4*6 NI 100 PCS.
S8	31409811 SADDLE,LOCKING WIRE LWS-1211Z 20PCS
S9	31029101 BUSH,NB-19
S10	31329501 CLAMP SET,PUSH MOUNT RT30SSF5 20P
S11	31289109 CUPSCREW SET,M3*4 NI 100 PCS.
S12	31019703 SCREW,BINDING P-TIGHT 3*8BC 100P

1-2 FRAME

PARTS LIST -Main Parts-

	Parts No.	Parts Name
1	11909133	ADAPTER,SCREW 2FAI FJ-50
2	11909167	ADAPTER,SCREW 3FAI FJ-540
3	1000001589	ADAPTER,TUBE 2-3FAI XC-540
4	1000001521	APRON,B XC-540
5	1000001615	ASSY,BED HEATER XC-540
6	W7003113B0	ASSY,FAN JUNCTION BOARD XC-540
7	W700311320	ASSY,CUT ORG BOARD XC-540
8	6700310330	ASSY,GRIT SHAFT XC-540
9	W7003113C0	ASSY,PLATE BOARD XC-540
10	1000002061	ASSY,TUBING 3*2170MM XC-540
11	11869103	BALL,4MM
12	1000001426	BASE,BOTTOM XC-540
13	1000001556	BASE,IDLE PULLEY XC-540
14	1000001522	ADAPTER,MEDIA CLAMP XC-540
15	1000001590	BASE,SHAFT SQUARE L XC-540
16	1000001533	BASE,SHAFT SQUARE R XC-540
17	1000001902	BELT,150S2M2500LW-C
18	12159508	BUSH,SHAFT OILES 80F-1206
19	1000001897	CABLE-CARD,12P1 2610L BB HIGH-V
20	21365103	CASE,LOCK CJ-70
21	1000001554	COVER,RAIL UNDER XC-540
22	1000001425	COVER,TKP0180-2B R100-084
23	1000000764	FAN,A35577-55ROL
24	1000000387	GUIDE,CABLE POM AJ-1000
25	22135656	GUIDE,FLEXIBLE CABLE CJ-440
26	1000001558	GUIDE,LINEAR SCALE XC-540
27	1000001566	GUIDE,TUBE XC-540
28	1000001555	HOLDER,IDLE PULLEY XC-540
29	21655131	HOLDER,LINEAR SCALE CJ-70
30	11659149	HOLDER,RING O 2FAI FJ-50
31	11659249	HOLDER,RING O 3FAI FJ-540
32	21895152	L-BEARING LWES15C3R2320QE
33	1000001538	LEVER,SHAFT XC-540
34	22635116	PAD,CUTTER CJ-540
35	1000001560	PLATE,GUIDE CABLE VEYOR XC-540
36	22055316	PLATE,LINEAR SCALE CJ-70
37	1000001511	PLATE,LOCK XC-540
38	1000001492	PLATE,SHUTTER BED XC-540
39	21565105	P-ROLLER FD8S3(B15L30)
40	1000001540	RAIL,CABLE XC-540
41	1000001464	RAIL,GUIDE XC-540
42	1000001901	RAIL,LINEAR SCALE XC-540
43	1000001353	RAIL,PINCHROLL XC-540
44	15099115	SENSOR-INTERRUPTER GP2A25NJ
45	1000001479	SHAFT,IDLE PULLEY XC-540
46	22295117	SHAFT,LOCK CJ-70
47	1000001532	SHAFT,SQUARE XC-540
48	22665275	SHEET,LINEAR SCALE FJ-540
49	21475141	SHEET,RAIL CABLE FJ-540
50	1000001567	SHUTTER,BED XC-540

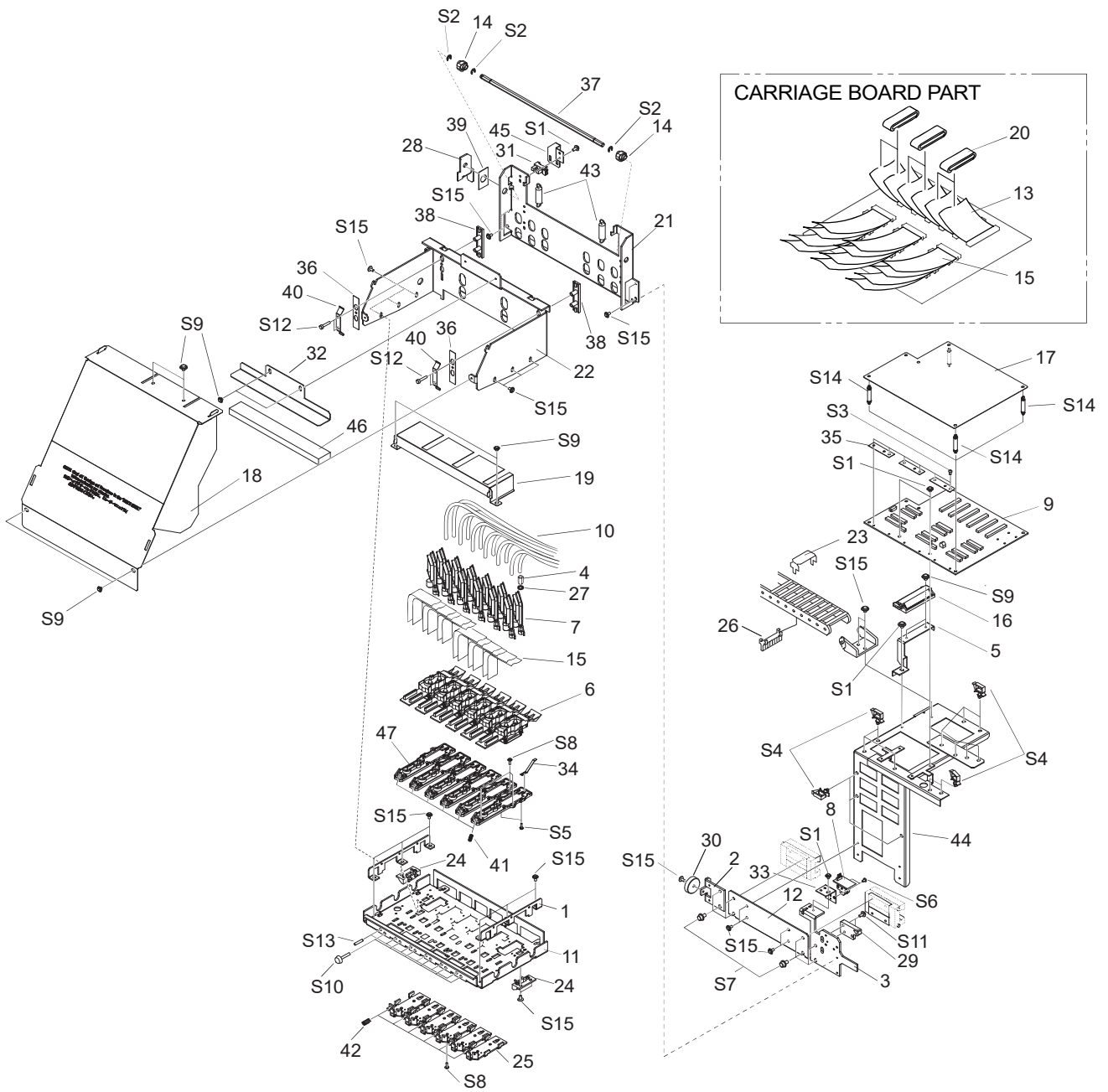
PARTS LIST -Main Parts-

	Parts No.	Parts Name
51	21625103	SHUTTER,HEATER CORD SP-300
52	22185101	SLIDER,LOCK CJ-70
53	1000001516	SPACER,BED LOWER XC-540
54	22175134	SPRING,A CJ-70
55	22175122	SPRING,BACK UP PNC-960
56	1000001576	SPRING,PRE HEATER XC-540
57	1000001512	STAY,LOCK XC-540
58	1000002064	STAY,P-SENSOR B XC-540
59	1000001493	STAY,P-SENSOR XC-540
60	1000001541	STAY,TUBE XC-540
61	22135441	STOPPER,LINEAR SCALE FJ-540
62	22135365	STOPPER,SHAFT SQUARE CX-24
63	22785115	SUPPORT,CABLE SP-540V
64	22785105	SUPPORT,SHAFT SQUARE FJ-540
65	1000001568	PLATE,TUBE GUIDE XC-540
66	1000001515	SPACER,BED UPPER XC-540
67	6700319030	ASSY,PULLEY XC-540
68	1000001531	FRAME,RAIL PINCHROLL XC-540

PARTS LIST -Supplemental Parts-

	Parts No.	Parts Name
S1	31029101	BUSH,NB-19
S2	31379111	CLAMP,CABLE CKS-13-H
S3	31379101	CLAMP,FLAT CABLE FCS-50P
S4	31289111	CUPSCREW SET, M4*6 NI 100 PCS.
S5	31289112	CUPSCREW SET,M3*10 NI 100 PCS.
S6	31289109	CUPSCREW SET,M3*4 NI 100 PCS.
S7	31289102	CUPSCREW SET,M3*6 NI 50 PCS.
S8	31279106	LABEL,CAUTION HOT SURF NO.778
S9	31129102	PIPE,POLYCA 4*8*10
S10	31149704	RING SET,E-RING ETW-6 SUS 100 PCS
S11	31299102	RIVET SET,NYLON P2655B 20 PCS.
S12	31409702	SADDLE,LOCKING EDGE LES-1010
S13	31409811	SADDLE,LOCKING WIRE LWS-1211Z 20PCS
S14	31019124	SCREW SET,BINDING M3*35 NI 50 PCS
S15	31049155	SCREW SET,CAP M3*12 BC+PW 20 PCS.
S17	31049142	SCREW SET,CAP M3*6 NI MEC 20 PCS
S18	31049170	SCREW SET,CAP M3*8 NI 50 PCS.
S19	31049174	SCREW SET,CAP M4*15 NI 20 PCS.
S20	31049169	SCREW SET,CAP M4*8 3CBC+PW 20PCS
S21	31239103	SCREW SET,W-SEMS M3*8 NI+PW 50 PCS
S22	31019703	SCREW,BINDING P-TIGHT 3*8BC 100P
S23	31179106	SCREW,JACK UP SP-540V

1-3 HEAD CARRIAGE



1-3 HEAD CARRIADGE

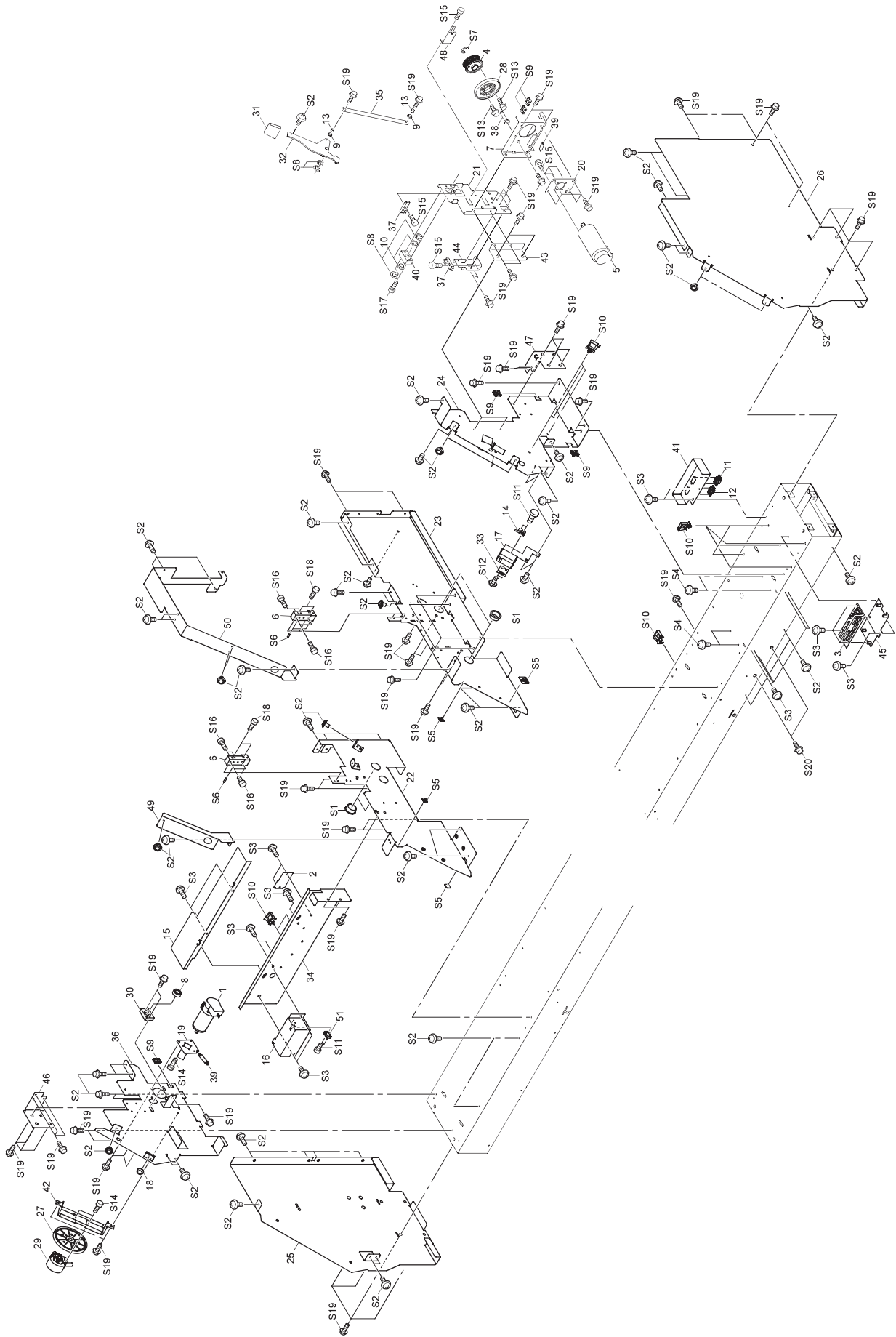
PARTS LIST -Main Parts-

	Parts No.	Parts Name
1	1000001461	ADAPTER,BASE CARRIAGE XC-540
2	1000001478	ADAPTER,CARRIAGE L XC-540
3	1000001453	ADAPTER,CARRIAGE R XC-540
4	11909167	ADAPTER,SCREW 3FAI FJ-540
5	1000001550	ADAPTER,STAY HOLDER XC-540
6	22805470	ASSY,HEAD INKJET SOL SJ-540
7	6085393800	ASSY,INK DAMPER L 3FAI 4 SJ-1000
8	W700311380	ASSY,LINEAR ENCODER BOARD XC-540
9	W700311310	ASSY,PRINT CARRIAGE BOARD XC-540
10	1000002061	ASSY,TUBING 3*2170MM XC-540
11	1000001448	BASE,CARRIAGE AL XC-540
12	1000001451	BASE,HOLDER CARRIAGE XC-540
13	23475198	CABLE-CARD 36P1 2940L BB
14	21775103	CAM,CARRIAGE FJ-540
15	23475232	CARD CABLE,21P1 385L BB HIGH-V
16	11769118	CLAMP,FCM2-S6-14
17	1000001520	COVER,CARRIAGE BOARD XC-540
18	1000001530	COVER,CARRIAGE XC-540
19	1000001529	COVER,HEAD BOARD XC-540
20	12399352	FILTER(E) FRC-45-12-6.5
21	1000001449	FRAME,CARRIAGE BASE XC-540
22	1000001450	FRAME,CARRIAGE U/D XC-540
23	22135602	GUIDE,CABLE FJ-500
24	22135618	GUIDE,CARRIAGE CAP FJ-540
25	22135440	GUIDE,HEAD AL FJ-540
26	1000001566	GUIDE,TUBE XC-540
27	11659249	HOLDER,RING O 3FAI FJ-540
28	1000001465	LEVER,CARRIAGE XC-540
29	21345105	LOCK,CJ-500
30	22395112	MAGNET,CJ-540
31	15229705	PHOTO INTERRUPTER GP1A71A1
32	1000001454	PLATE,DAMPER XC-540
33	22055557	PLATE,ENC SENS FJ-540
34	22055547	PLATE,GND FJ-540
35	22055486	PLATE,HOLD FILTER W11 CX-500
36	22055548	PLATE,SLIDER CARRIAGE FJ-540
37	22155960	SHAFT,HEXAGON CARRIAGE FJ-540
38	22185127	SLIDER,CARRIAGE FJ-540
39	22165216	SPACER,UD LEVER FJ-540
40	22175159	SPRING,CARRIAGE SIDE FJ-50
41	22175520	SPRING,HEAD ADJUST 500 FJ-540
42	22175519	SPRING,HEAD PRESS 500 FJ-540
43	22625109	SPRING,PULL CARRIAGE 3500 FJ-540
44	1000001452	STAY,HOLDER CARRIAGE XC-540
45	1000001466	STAY,SENSOR CARRIAGE XC-540
46	1000001597	SUPPORT,DAMPER XC-540
47	21905166	ADAPTER,HEAD FJ-540

PARTS LIST -Supplemental Parts-

	Parts No.	Parts Name
S1	31289109	CUPSCREW SET,M3*4 NI 100 PCS.
S2	31149703	RING SET,E-RING ETW-4 100 PCS.
S3	31299102	RIVET SET,NYLON P2655B 20 PCS.
S4	31409801	SADDLE,LOCKING WIRE LWS-0711Z 20
S5	31679902	SCREW SET C-SEMS M2*8 NI 100 PCS
S6	31019148	SCREW SET,BINDING M2.6*4 NI 100 PCS
S7	31049169	SCREW SET,CAP M4*8 3CBC+PW 20PCS
S8	31089121	SCREW SET,PAN M2.3*8 NI+PW 100PCS
S9	31089110	SCREW SET,PAN M3*4 NI+PW 100 PCS
S10	31179908	SCREW SET,UREA M3*20 N-1 WH 50PCS
S11	31239102	SCREW SET,W-SEMS M3*8 3CBC 100 PCS
S12	31799103	SCREW,CAP M3*15 NI
S13	31199905	SCRW SET,SET CONE M3*16 NI 20 PCS
S14	3000000032	SPACER,WPCS-19S-4.0
S15	31289102	CUPSCREW SET,M3*6 NI 50 PCS.

1-4 DRIVE UNIT



1-4 DRIVE UNIT

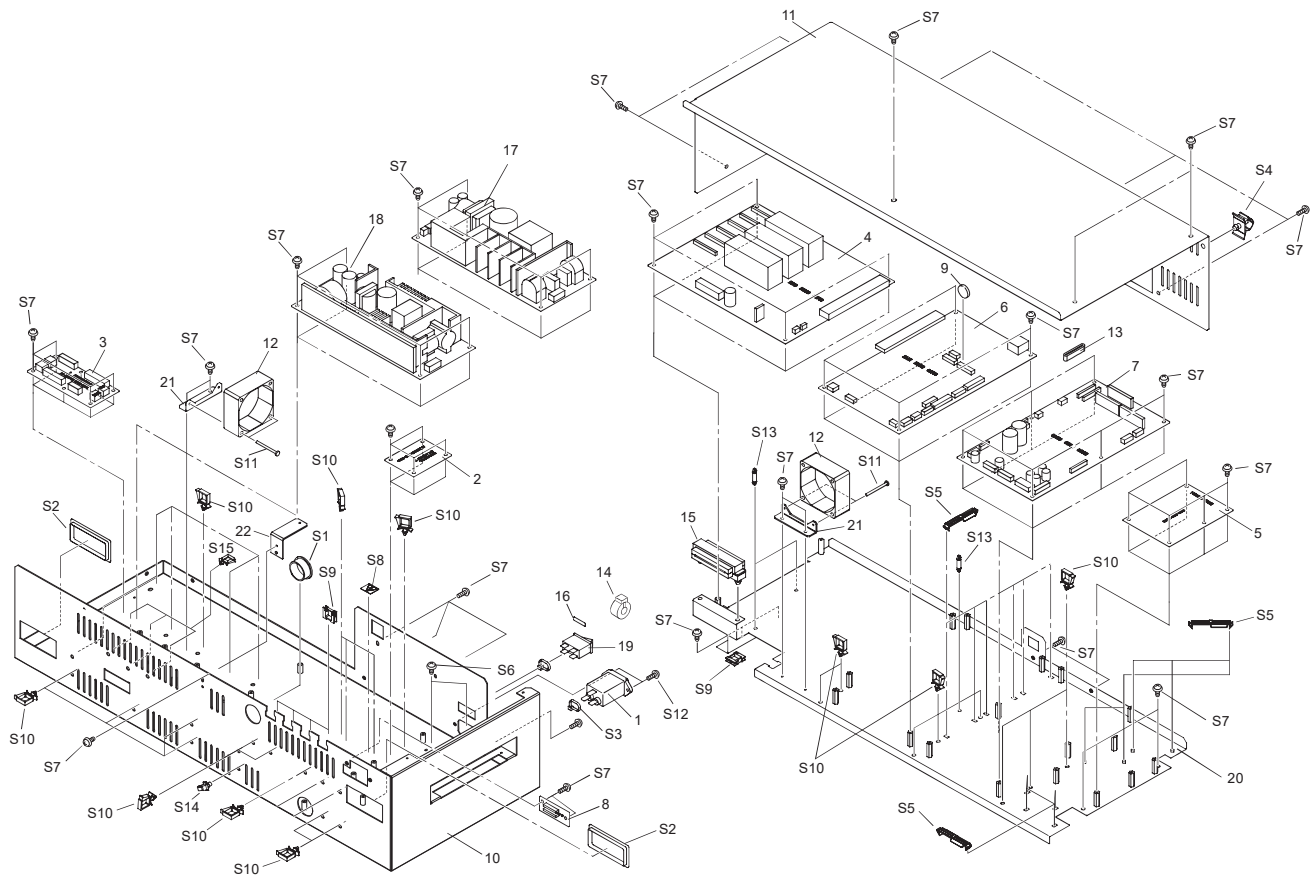
PARTS LIST -Main Parts-

	Parts No.	Parts Name
1	6700319020	ASSY,FEED MOTOR XC-540
2	W700311391	ASSY,GRIT ENCODER BOARD XC-540
3	W7003113A1	ASSY,MOTSSENS JUNCTION BOARD XC-540
4	6700319030	ASSY,PULLEY XC-540
5	6700049030	ASSY,SCAN MOTOR SJ-1045EX
6	22355808	BASE,RAIL CJ-540
7	1000001513	BASE,SCAN MOTOR XC-540
8	22175870	BEARING 10-19ZZ
9	12159573	BUSH,80F-0603
10	12159563	BUSH,80F-1006
11	1000001712	CABLE-ASSY,FD IF INT XC-540
12	1000001706	CABLE-ASSY,TU IF INT XC-540
13	21745109	COLLAR,LEVER FJ-540
14	1000001698	CABLE-ASSY,F-COVER SW XC-540
15	1000001553	COVER,FEED MOTOR XC-540
16	1000001552	COVER,I/S SW XC-540
17	1000001526	COVER,INT SW XC-540
18	12239406	CUSHION,TM-96-6
19	21995124	FLANGE,MOTOR FEED FJ-540
20	1000001559	FLANGE,MOTOR SCAN XC-540
21	1000001514	FRAME,DRIVE PULLEY XC-540
22	1000001428	FRAME,MIDDLE L XC-540
23	1000001427	FRAME,MIDDLE R XC-540
24	1000001432	FRAME,SCAN MOTOR XC-540
25	1000001430	FRAME,SIDE L XC-540
26	1000001429	FRAME,SIDE R XC-540
27	21685128	GEAR H300 S10(B6C16POM)
28	21685149	GEAR,H235S20(B8)T2
29	25095120	GRIT ENCODER TS5217N561 FJ-540
30	1000001444	HOUSING,R-BEARING FRAME XC-540
31	1000001601	KNOB,XC-540
32	1000001536	LEVER,CAM PINCH XC-540
33	12399102	MAGNET CATCHER TL-105
34	1000001551	PLATE,AUTOCUT JOINT XC-540
35	1000001537	PLATE,LEVER LINK XC-540
36	1000001431	FRAME,FEED MOTOR XC-540
37	15229506	SENSOR INTERRUPTER,GP1A05A5
38	1000001480	SHAFT,DRIVE PULLEY XC-540
39	22175157	SPRING,C P-ROLLER CM-500
40	22035161	STAND,LEVER FJ-500
41	1000001598	STAY,D-SUB CONNECTOR XC-540
42	22715466	STAY,FA-CODER SP-540V
43	1000001557	STAY,FRAME SCAN MOTOR XC-540
44	1000001512	STAY,LOCK XC-540
45	1000001562	STAY,MOTOSSENS XC-540
46	1000001564	STAY,RAIL GUIDE L XC-540
47	1000001563	STAY,RAIL GUIDE R XC-540
48	1000001569	STAY,SHAFT PULLEY XC-540
49	1000001495	SUPPORT,FRAME L XC-540
50	1000001494	SUPPORT,FRAME R XC-540
51	1000001702	CABLE-ASSY,M-COVER SW XC-540

PARTS LIST -Supplemental Parts-

	Parts No.	Parts Name
S1	31029101	BUSH,NB-19
S2	31289111	CUPSCREW SET, M4*6 NI 100 PCS.
S3	31289109	CUPSCREW SET,M3*4 NI 100 PCS.
S4	31289102	CUPSCREW SET,M3*6 NI 50 PCS.
S5	31279106	LABEL,CAUTION HOT SURF NO.778
S6	31119904	PIN,SPRING 2.5*8 SUS STRAIGHT 50 PCS
S7	31149704	RING SET,E-RING ETW-6 SUS 100 PCS
S8	31149705	RING,E ETW-7 SUS
S9	31409702	SADDLE,LOCKING EDGE LES-1010
S10	31409811	SADDLE,LOCKING WIRE LWS-1211Z 20PCS
S11	31019149	SCREW SET,BINDING M2.3*8 3C 100PCS
S12	31019142	SCREW SET,BINDING M3*4 NI 100PCS.
S13	31049171	SCREW SET,CAP M3*12 NI 50 PCS.
S14	31049170	SCREW SET,CAP M3*8 NI 50 PCS.
S15	31049173	SCREW SET,CAP M4*10 NI 50 PCS.
S16	31049174	SCREW SET,CAP M4*15 NI 20 PCS.
S17	31049175	SCREW SET,CAP M4*20 NI 20 PCS.
S18	31049137	SCREW SET,CAP M4*25 3CBC 20 PCS
S19	31049169	SCREW SET,CAP M4*8 3CBC+PW 20PCS
S20	31049157	SCREW,CAP M6*20 BC+PW+SW

1-5 CHASSIS



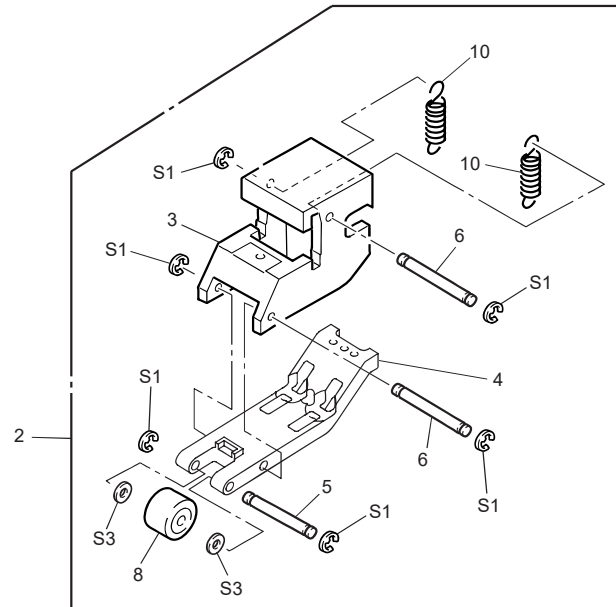
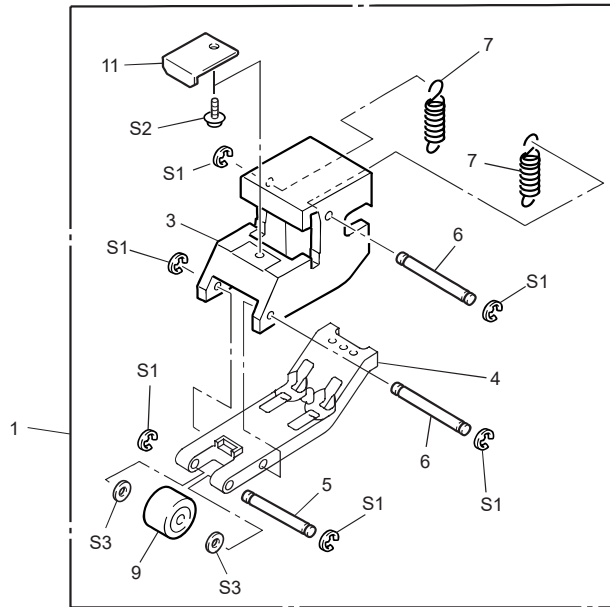
PARTS LIST -Main Parts-

Parts No.	Parts Name
1	13429701 AC INLET SUP-J15G-E
2	W700311440 ASSY,AC JUNCTION BOARD XC-540
3	W700311360 ASSY,DC JUNCTION BOARD XC-540
4	6700311110 ASSY,HEAD BOARD XC-540
5	W700311421 ASSY,HEATER BOARD XC-540
6	6700319050 ASSY,MAIN BOARD XC-540
7	6700311000 ASSY,SERVO BOARD XC-540
8	W700311341 ASSY,TU JUNCTION BOARD XC-540
9	15009101 BATTERY CR2032
10	1000001506 CHASSIS,XC-540
11	1000001507 COVER,CHASSIS XC-540
12	1000000012 FAN,109R0624H459
13	12399351 FILTER(E) FRC-40-12-6.5 FJ-540
14	12399353 FILTER(E) TFT-081813N F-540
15	1000001748 FILTER(E),EFC-40-S
16	22535117 LABEL,POWER CM-500 NO.893
17	1000000538 POWER UNIT,ZWD225PAF-0524/J
18	1000000097 POWER UNIT,ZWS240PAF-36/J
19	13129171 POWER-SW AJ8201B
20	1000001549 STAY,BOARD XC-540
21	22715327 STAY,CHASSIS FAN FJ-540
22	1000001605 STAY,COVER CHASSIS XC-540

PARTS LIST -Supplemental Parts-

Parts No.	Parts Name
S1	31029101 BUSH,NB-19
S2	31029106 BUSH,SQUARE SB-6025
S3	31329601 CLAMP SET,INSULOK T-18S 100 PCS.
S4	31379111 CLAMP,CABLE CKS-13-H
S5	3000000033 CLAMP,WIRE PLESS RFC-45VO
S6	31289111 CUPSCREW SET, M4*6 NI 100 PCS.
S7	31289109 CUPSCREW SET,M3*4 NI 100 PCS.
S8	31279121 LABEL,FLASH-LIGHTING NO.E-582
S9	31409702 SADDLE,LOCKING EDGE LES-1010
S10	31409811 SADDLE,LOCKING WIRE LWS-1211Z 20PCS
S11	31019124 SCREW SET,BINDING M3*35 NI 50 PCS
S12	31019161 SCREW SET,BINDING M4*8 NI ETW 20PCS
S13	31209118 SPACER,WPCS-12S-4.0
S14	31329501 CLAMP SET,PUSH MOUNT RT30SSF5 20P
S15	31409801 SADDLE,LOCKING WIRE LWS-0711Z 20

1-6 PINCHROLLER



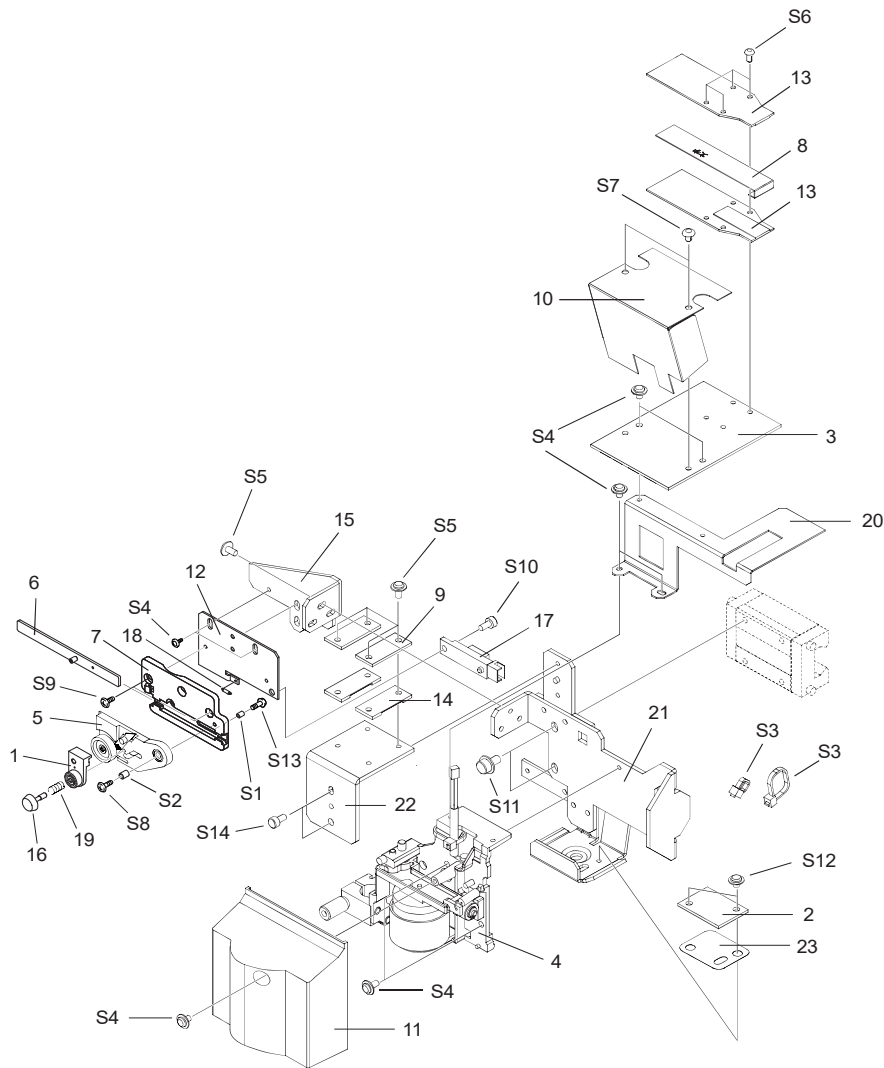
PARTS LIST -Main Parts-

	Parts No.	Parts Name
1	22805483	ASS'Y,P-ROLLER L/R CJ-540
2	22805482	ASS'Y,P-ROLLER M CJ-540
3	22115765	FRAME,P-ROLLER CJ-500
4	22145458	LEVER,P-ROLLER CJ-540
5	22145831	PIN NO.1 (214-831)
6	22145832	PIN NO.2 214-832
7	22175105	PINCH ROLL SPRING
8	21565103	P-ROLLER FD16S4(B10) TYPE2
9	21565102	P-ROLLER TD16S4(B10) TYPE2
10	22175157	SPRING,C P-ROLLER CM-500
11	22715332	STAY,SENSOR P-ROLLER CJ-540

PARTS LIST -Supplemental Parts-

	Parts No.	Parts Name
S1	31149702AS	RING SET,E-RING ETW-3 100 PCS.
S2	31239102AS	SCREW SET,W-SEMS M3*8 BC 100 PCS.
S3	31249211AS	WASHER SET,PLAIN 4.3*7*0.5 C 100PCS.

1-7 TOOL CARRIADGE



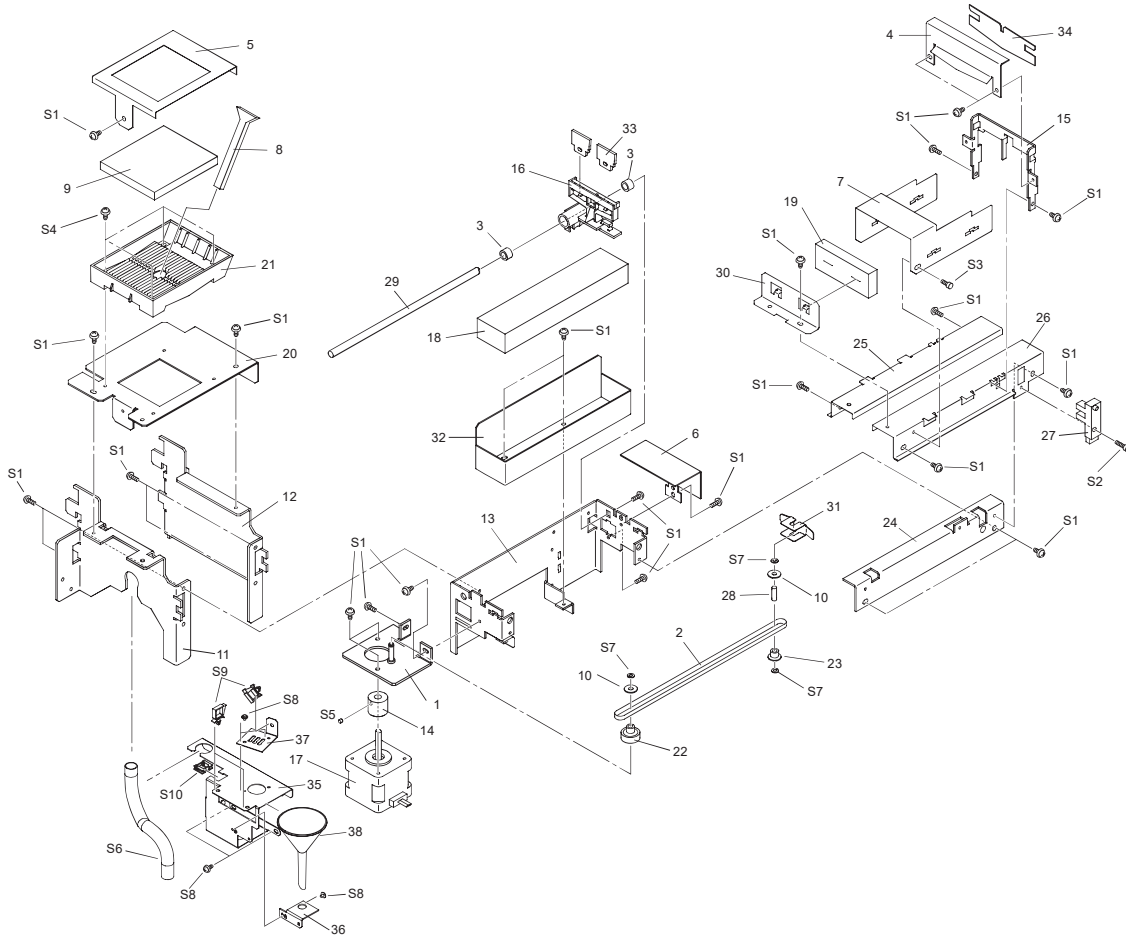
PARTS LIST -Main Parts-

	Parts No.	Parts Name
1	22805292	ASSY,CLAMP BLADE CM-500
2	W700311330	ASSY,CROP SENS BOARD XC-540
3	W700311350	ASSY,CUT CARRIAGE BOARD XC-540
4	6700310360	ASSY,CUT CARRIAGE XC-540
5	22805291	ASSY,HOLDER BLADE CM-500
6	22805396	ASSY,PLATE CAM SLIDE FJ-500
7	22355656	BASE,CUTTER CM-500
8	1000001897	CABLE-CARD,12P1 2610L BB HIGH-V
9	22025646	COVER,BELT HOLDER EGX-600
10	22025956	COVER,CARRIAGE BOARD CJ-540
11	22025404	COVER,CARRIAGE CX-24
12	22115799	FRAME,CARRIAGE FJ-500
13	22135656	GUIDE,FLEXIBLE CABLE CJ-540
14	21655232	HOLDER,BELT EGX-600
15	1000001474	HOLDER,CUTTER XC-540
16	21495115	SCREW,BLADE SET CM-500
17	15229505	SENSOR INTERRUPTER GP2A25
18	22175154	SPRING,BLADE UP CM-500
19	22175155	SPRING,SCREW CM-500
20	1000001475	STAY,CUT CARRIAGE BOARD XC-540
21	1000001476	STAY,CUT CARRIAGE HOLD XC-540
22	1000001477	STAY,HOLDER BELT XC-540
23	21475148	SHEET,CROP SENSOR FILTER CJ-500

PARTS LIST -Supplemental Parts-

	Parts No.	Parts Name
S1	31029801	BUSH SET,ROLL 2*4 100PCS
S2	31029803	BUSH SET,ROLL 3*5 20 PCS.
S3	31329601	CLAMP SET,INSULOK T-18S 100 PCS.
S4	31289109	CUPSCREW SET,M3*4 NI 100 PCS.
S5	31289102	CUPSCREW SET,M3*6 NI 50 PCS.
S6	31299102	RIVET SET,NYLON P2655B 20 PCS.
S7	31159901	RIVET SET,NYLON P3045W 20 PCS.
S8	31019118	SCREW SET,BINDING M3*10 3CBC 100PCS
S9	31019116	SCREW SET,BINDING M3*6 3CBC 100 PCS
S10	31049105	SCREW SET,CAP M3*6 3CBC 20 PCS
S11	31049169	SCREW SET,CAP M4*8 3CBC+PW 20PCS
S12	31089110	SCREW SET,PAN M3*4 NI+PW 100 PCS
S13	31229103	SCREW SET,TRUSS M2*6 NI 100 PCS
S14	31049142	SCREW SET,CAP M3*6 NI MEC 20 PCS

1-8 WIPE SYSTEM



PARTS LIST -Main Parts-

	Parts No.	Parts Name
1	1000001487	BASE,WIPER MOTOR XC-540
2	11929138	BELT,408P2M4-530
3	12159536	BUSH,B-S6-17
4	1000001595	COVER,SCRAPER XC-540
5	1000001609	COVER,SERGE MIST XC-540
6	1000001606	COVER,WIPE R XC-540
7	1000001491	COVER,WIPE XC-540
8	22275122	FILTER(M),INNER SERGEMIST SJ-540
9	1000000415	FILTER(M),SERGE MIST 3 SJ-540
10	21995104	FLANGE,PULLEY STX-7
11	1000001481	FRAME,FLUSH F XC-540
12	1000001482	FRAME,FLUSH R XC-540
13	1000001483	FRAME,WIPER XC-540
14	21685144	GEAR,S53S5(B15) FJ-540
15	1000001488	HOLDER,SCRAPER XC-540
16	21655245	HOLDER,WIPER FJ-540
17	22435106	MOTOR,103-593-1041
18	1000001508	PAD,WIPE TRAY XC-540
19	21545159	PAD,WIPE F SJ-540
20	1000001510	PLATE,FLUSH XC-540
21	22055537	PLATE,SERGE MIST FJ-540
22	21975124	PULLEY,T14P2S4 + GEAR,S53
23	21975123	PULLEY,WD6.94S9
24	1000001485	RAIL,GUIDE WIPER XC-540
25	1000001490	RAIL,WIPER L XC-540
26	1000001486	RAIL,WIPER R XC-540

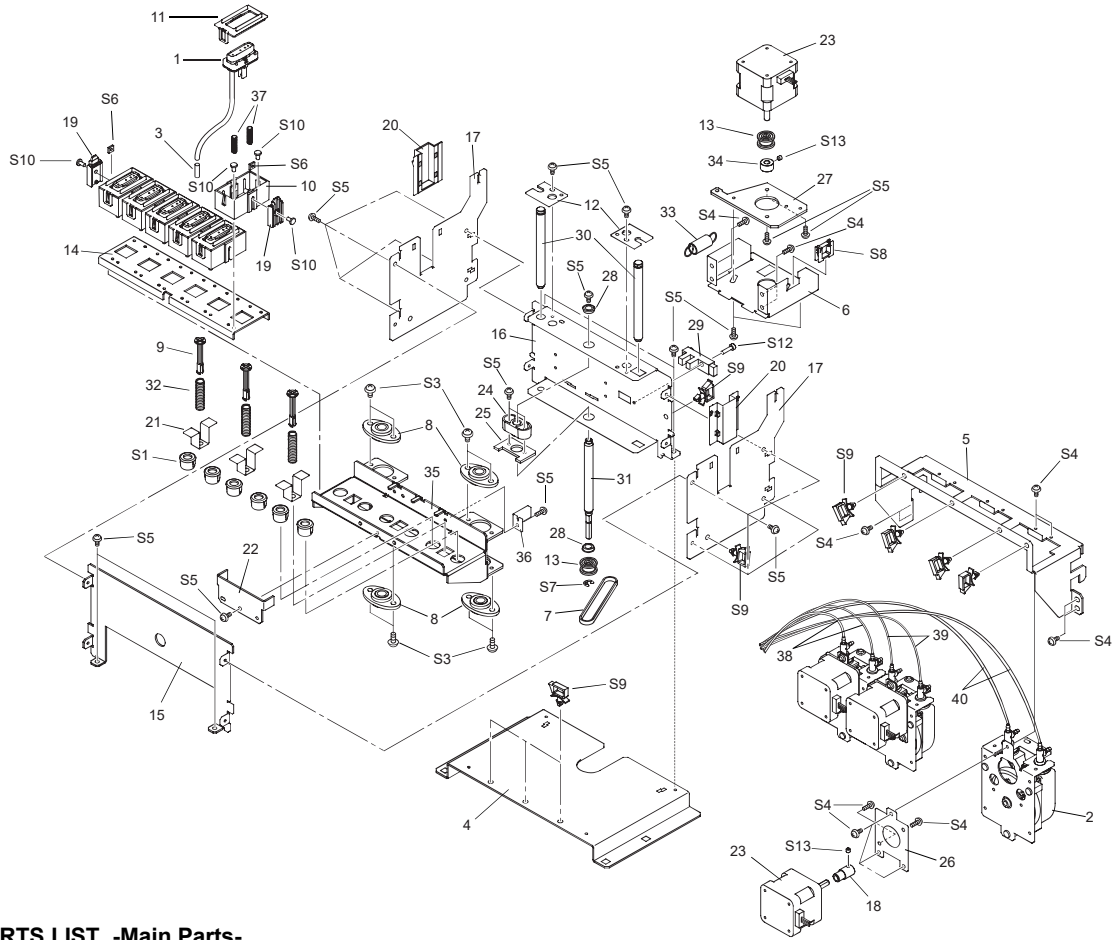
PARTS LIST -Main Parts-

	Parts No.	Parts Name
27	15229506	SENSOR INTERRUPTER,GP1A05A5
28	22295132	SHAFT,IDLE PULLEY STX-7
29	22155961	SHAFT,WIPER FJ-540
30	1000001489	SHUTTER,WIPE F XC-540
31	22175140	SPRING,TENSIONER STX-7
32	1000001484	TRAY,WIPE XC-540
33	11379105	WIPER,HEAD ASP FJ-50
34	1000001658	WIPER,SCRAPER XC-540
35	1000001527	HOLDER,INK TRASH XC-540
36	1000001528	HOLDER,GUIDE INK TRASH XC-540
37	1000001596	PLATE,INK TRASH XC-540
38	12139657	GUIDE,INK FUNNEL PE 6-316-03

PARTS LIST -Supplemental Parts-

	Parts No.	Parts Name
S1	31289102	CUPSCREW SET,M3*6 NI 50 PCS.
S2	31049171	SCREW SET,CAP M3*12 NI 50 PCS.
S3	31049170	SCREW SET,CAP M3*8 NI 50 PCS.
S4	31089110	SCREW SET,PAN M3*4 NI+PW 100 PCS
S5	31199701	SCREW SET,SET WP M3*3 NI 20 PCS
S6	1000001066	TUBE,SILICONE 12*16 50M
S7	31249951	WASHER,POLYSLIDER 3*6*0.5 CUT
S8	31289109	CUPSCREW SET,M3*4 NI 100 PCS.
S9	31409811	SADDLE,LOCKING WIRE LWS-1211Z 20PCS
S10	31409702	SADDLE,LOCKING EDGE LES-1010

1-9 CAP SYSTEM



PARTS LIST -Main Parts-

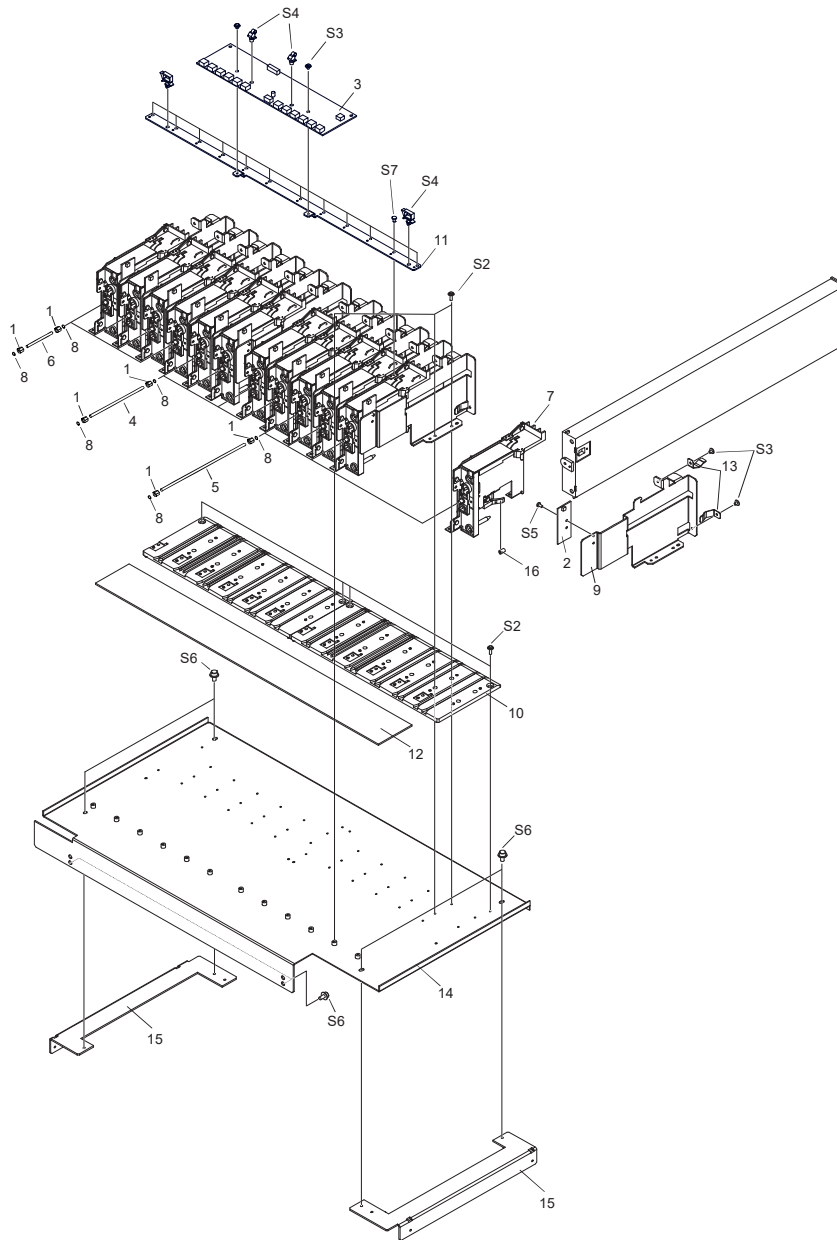
Parts No.	Parts Name
1	12809448 ASSY,CAP-TOP FJ-540
2	6700319010 ASSY,PUMP SUB XC-540
3	22805572 ASSY,TUBING 2*80MM SP-540V
4	1000001437 BASE,BOTTOM CAP XC-540
5	1000001587 BASE,NEW PUMP XC-540
6	1000001588 BASE,T-MOTOR CAP XC-540
7	21925137 BELT,166P2M4-530
8	12529101 BUSH,80FL-08
9	22335146 CAP,TABLE SPRING FJ-540
10	21365121 CASE,CAP TOP FJ-540
11	22025671 COVER,CAP CASE FJ-540
12	1000001608 STOPPER,G-SHAFT XC-540
13	22565406 DRIVE PULLEY
14	1000001433 FRAME,BACK-UP XC-540
15	1000001438 FRAME,FRONT CAP XC-540
16	1000001435 FRAME,MAIN CAP XC-540
17	1000001436 FRAME,SIDE CAP XC-540
18	21685122 GEAR,S10S20
19	22135616 GUIDE,CAP CASE FJ-540
20	22135614 GUIDE,SIDE FRAME FJ-540
21	21655246 HOLDER,T-SPRING FJ-540
22	1000001439 HOOK,CAP-CASE XC-540
23	22435106 MOTOR,103-593-1041
24	21575126 NUT,TABLE FJ-540
25	22055542 PLATE,NUT FJ-540
26	1000001585 PLATE,P-MOTOR XC-540
27	1000001607 PLATE,T-MOTOR XC-540

Parts No.	Parts Name
28	11889107 R-BEARING,D10S6(B3FL)
29	15229506 SENSOR INTERRUPTER,GP1A05A5
30	1000001591 SHAFT,GUIDE TABLE XC-540
31	22155957 SHAFT,SCREW M8 FJ-540
32	22175326 SPRING,TABLE FJ-540
33	22175324 SPRING,TABLE MOTOR FJ-540
34	1000001594 STOPPER,T-MOTOR CAP XC-540
35	1000001434 TABLE,CAP-CASE XC-540
36	1000001440 PLATE,SHUTTER TABLE CAP XC-540
37	22175334 SPRING,CAP HEAD FJ-540
38	1000002422 ASSY,TUBING 2*150MM XC-540
39	1000002423 ASSY,TUBING 2*210MM XC-540
40	1000002424 ASSY,TUBING 2*310MM XC-540

PARTS LIST -Supplemental Parts-

Parts No.	Parts Name
S1	31029105 BUSH,NB-8
S3	31289111 CUPSCREW SET, M4*6 NI 100 PCS.
S4	31289109 CUPSCREW SET,M3*4 NI 100 PCS.
S5	31289102 CUPSCREW SET,M3*6 NI 50 PCS.
S6	31109601 NUT SET,SQUARE M3*6*1.6 FE NI 100PCS
S7	31149703 RING SET,E-RING ETW-4 100 PCS.
S8	31409702 SADDLE,LOCKING EDGE LES-1010
S9	31409801 SADDLE,LOCKING WIRE LWS-0711Z 20
S10	31019103 SCREW SET,BINDING M3*6 C 100 PCS.
S12	31049171 SCREW SET,CAP M3*12 NI 50 PCS.
S13	31199701 SCREW SET,SET WP M3*3 NI 20 PCS

1-10 INK SYSTEM



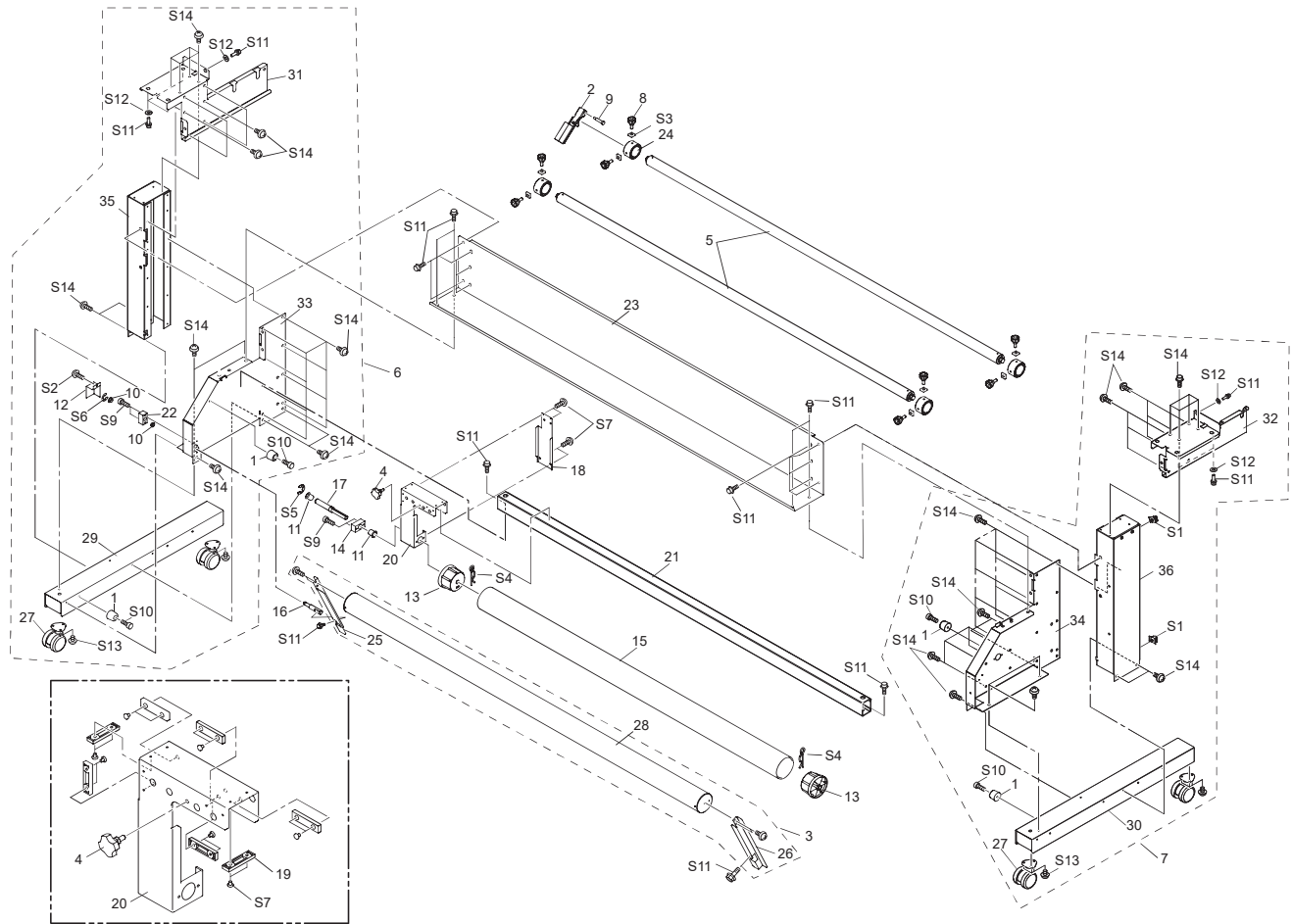
PARTS LIST -Main Parts-

Parts No.	Parts Name
1	11909133 ADAPTER,SCREW 2FAI FJ-50
2	W700311520 ASSY,CARTRIDGE IC BOARD XC-540
3	W700311511 ASSY,INK TANK BOARD XC-540
4	1000002058 ASSY,TUBING 2*1100MM XC-540
5	1000002059 ASSY,TUBING 2*1300MM XC-540
6	1000002060 ASSY,TUBING 2*900MM XC-540
7	11659218 HOLDER,IC SC-500
8	11659149 HOLDER,RING O 2FAI FJ-50
9	1000001473 PLATE,HOLDER I/C XC-540
10	1000001580 PLATE,INK CMCM XC-540
11	1000001509 PLATE,INK JOINT XC-540
12	21475141 SHEET,RAIL CABLE FJ-540
13	22625103 SPRING,PRESS CARTRIDGE SP-300
14	1000001471 STAND,INK CARTRIDGE XC-540
15	1000001542 STAY,I/C XC-540
16	21435109 TUBE,SILICONE 3*5*8 FJ-540

PARTS LIST -Supplemental Parts-

Parts No.	Parts Name
S2	31289112 CUPSCREW SET,M3*10 NI 100 PCS.
S3	31289109 CUPSCREW SET,M3*4 NI 100 PCS.
S4	31409801 SADDLE,LOCKING WIRE LWS-0711Z 20
S5	31019103 SCREW SET,BINDING M3*6 C 100 PCS.
S6	31049169 SCREW SET,CAP M4*8 3CBC+PW 20PCS
S7	31019801 SCREW,BINDING S-TIGHT M3*6 3C

1-11 STAND & TU



PARTS LIST -Main Parts-

	Parts No.	Parts Name
1	11879108	ABSORBER TK-3225
2	7498804000	ASSY BRAKE PNS-501
3	1000001610	ASSY,DANCER BAR XC-540
4	22805230	ASSY,SCREW TUC-6070
5	1000001611	ASSY,SHAFT SHEET XC-540
6	1000001613	ASSY,STAND LEG L XC-540
7	1000001612	ASSY,STAND LEG R XC-540
8	6811509000	ASSY STOPPER SCREW PNS-501
9	21815106	BOLT,SHOULDER PNS-501
10	12159563	BUSH,80F-1006
11	1000001352	BUSH,80F-1620
12	1000001470	COVER,TU L XC-540
13	1000001584	FLANGE,GUIDE 3 XC-540
14	1000001592	HOUSING,80F-1620 XC-540
15	1000001457	PIPE,TAKE UP XC-540
16	1000001455	SHAFT,DANCER XC-540
17	1000001458	SHAFT,TU SLIDER XC-540
18	1000001460	SILDER,HOLDER PLATE XC-540
19	22185103	SLIDER,1 TUC-6070
20	1000001459	SLIDER,ARM XC-540
21	1000001463	SLIDER,RAIL XC-540
22	22035196	STAND,LEVER SP-300
23	1000001462	STAND,STAY XC-540
24	1000001579	STOPPER,SHAFT POM XC-540
25	1000002464	ARM,DANCER L XC-540
26	1000002463	ARM,DANCER R XC-540

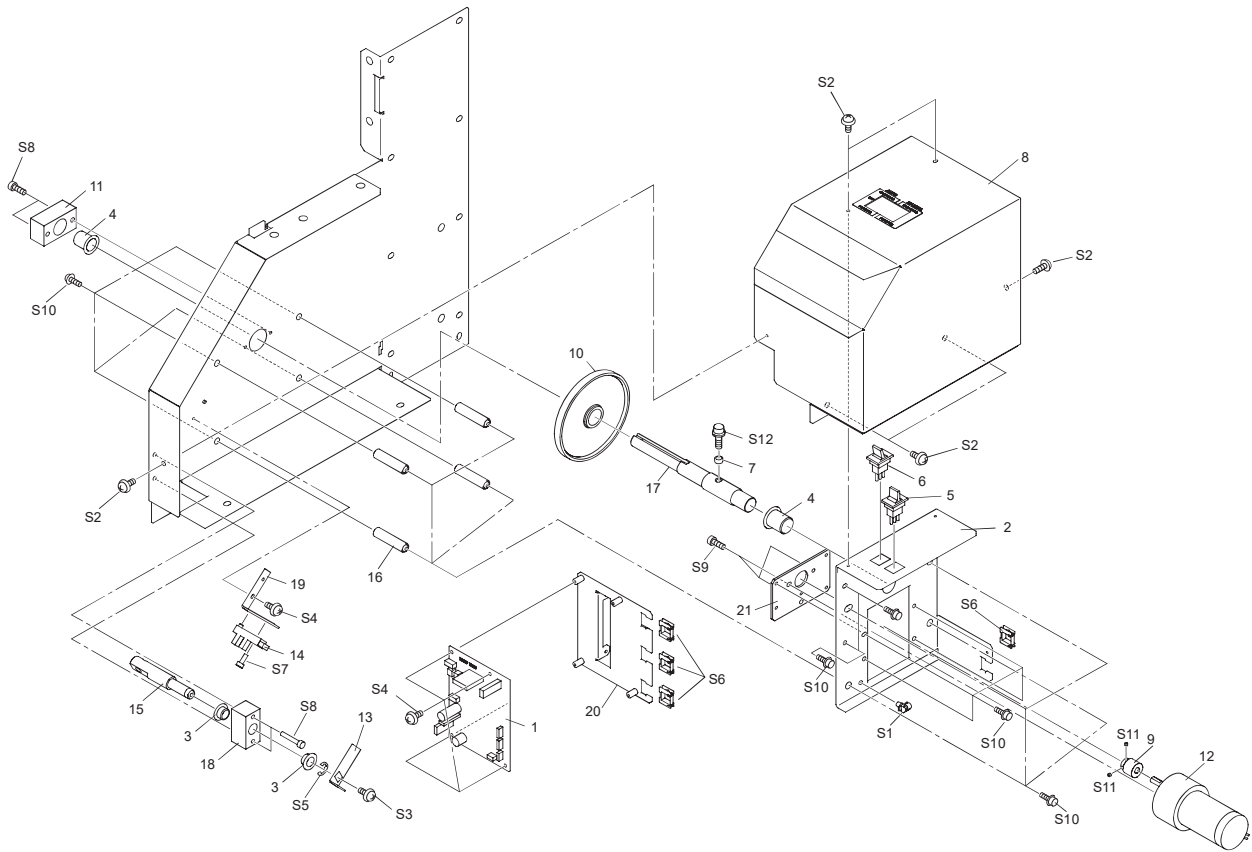
PARTS LIST -Main Parts-

	Parts No.	Parts Name
27	1000002515	CASTER,STAND XC-540
28	1000002462	DANCER BAR XC-540
29	1000002511	STAND,BASE L XC-540
30	1000002507	STAND,BASE R XC-540
31	1000002514	STAND,FRAME STAY L XC-540
32	1000002510	STAND,FRAME STAY R XC-540
33	1000002512	STAND,FRAME TU L XC-540
34	1000002508	STAND,FRAME TU R XC-540
35	1000002513	STAND,LEG L XC-540
36	1000002509	STAND,LEG R XC-540

PARTS LIST -Supplemental Parts-

	Parts No.	Parts Name
S1	31379111	CLAMP,CABLE CKS-13-H
S2	31289109	CUPSCREW SET,M3*4 NI 100 PCS.
S3	3000000036	NUT,SQUARE M5 8.5*8.5*2.3 3C
S4	31119701	PIN,SNAP M14 SUS
S5	31149707	RING SET,E-RING ETW-12 SUS 20 PCS
S6	31149705	RING,E ETW-7 SUS
S7	31019115	SCREW SET,BINDING M3*4 3CBC 100 PCS
S9	31049137	SCREW SET,CAP M4*25 3CBC 20 PCS
S10	31799110	SCREW SET,CAP M5*20 NI 20PCS.
S11	31049157	SCREW,CAP M6*20 BC+PW+SW
S12	31249220	WASHER SET,PLAIN 6.5*16*1 NI 100PCS
S13	31049169	SCREW SET,CAP M4*8 3CBC+PW 20PCS
S14	31239106	SCREW SET,W-SEMS M4*8 3CBC 50 PCS

1-12 TU CONTROLLER



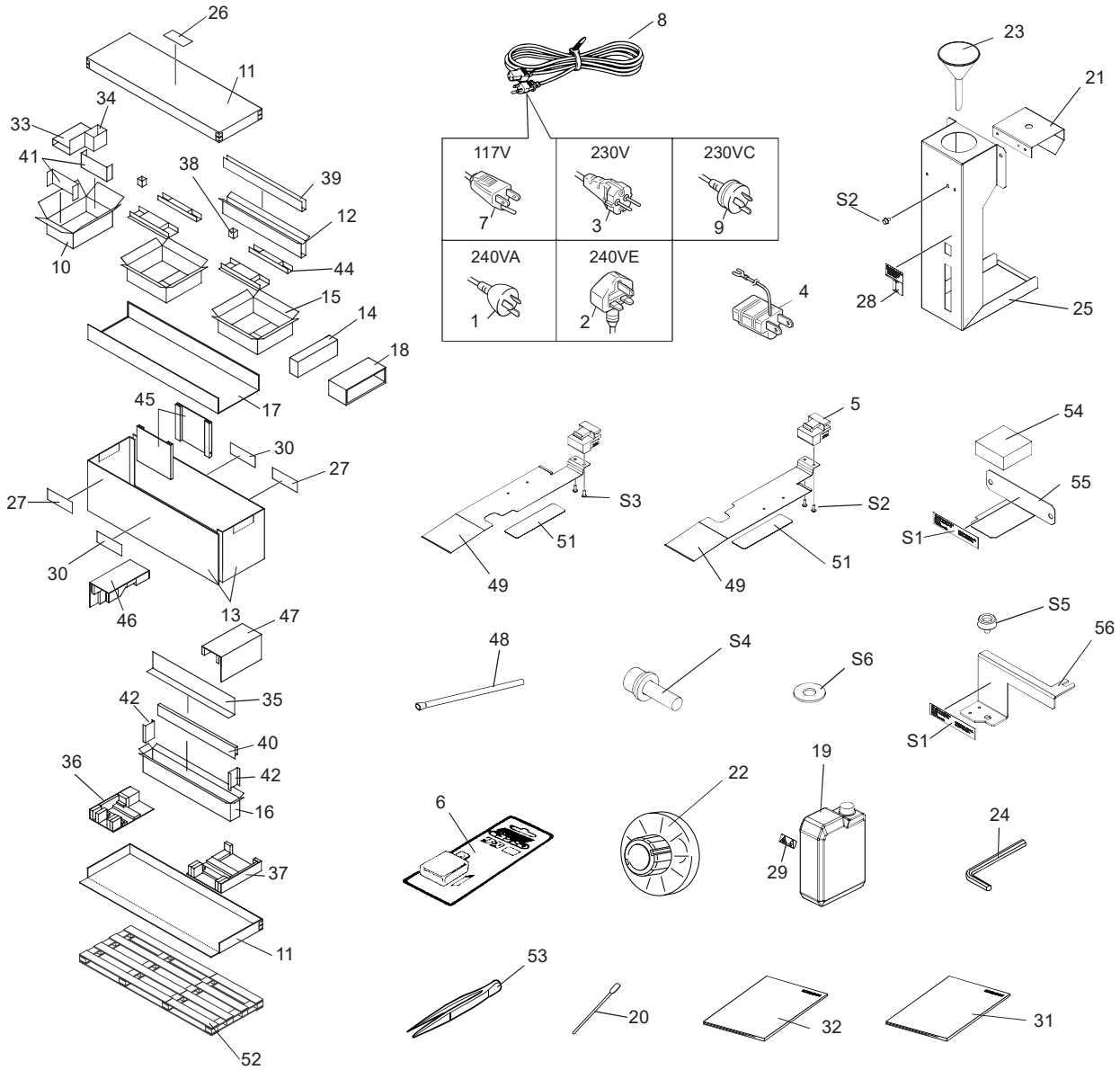
PARTS LIST -Main Parts-

	Parts No.	Parts Name
1	6700311200	ASSY,TAKEUP BOARD XC-540
2	1000001446	BASE,TU MOTOR XC-540
3	12159563	BUSH,80F-1006
4	1000001352	BUSH,80F-1620
5	1000001710	CABLE-ASSY,TU MANUAL SW XC-540
6	1000001711	CABLE-ASSY,TU MODE SEL SW XC-540
7	1000001593	COLLAR,TU XC-540
8	1000001469	COVER,TU R XC-540
9	1000001441	GEAR,S14.4(B12M0.8) XC-540
10	1000001442	GEAR,S96(B8M0.8) XC-540
11	1000001592	HOUSING,80F-1620 XC-540
12	1000001402	MOTOR,DME37K50G-128
13	1000001456	PLATE,SENSOR DANCER XC-540
14	15229506	SENSOR INTERRUPTER,GP1A05A5
15	1000001455	SHAFT,DANCER XC-540
16	1000001445	SHAFT,SPACER TU XC-540
17	1000001447	SHAFT,TU XC-540
18	22035196	STAND,LEVER SP-300
19	1000001467	STAY,DANCER SENS XC-540
20	1000001468	STAY,TU BOARD XC-540
21	1000001443	FLANGE,TU MOTOR XC-540

PARTS LIST -Supplemental Parts-

	Parts No.	Parts Name
S1	31329501	CLAMP SET,PUSH MOUNT RT30SSF5 20P
S2	31289105	CUPSCREW SET, M3*6 3CBC 100 PCS
S3	31289111	CUPSCREW SET, M4*6 NI 100 PCS.
S4	31289109	CUPSCREW SET,M3*4 NI 100 PCS.
S5	31149705	RING,E ETW-7 SUS
S6	31409702	SADDLE,LOCKING EDGE LES-1010
S7	31049173	SCREW SET,CAP M4*10 NI 50 PCS.
S8	31049137	SCREW SET,CAP M4*25 3CBC 20 PCS
S9	31799107	SCREW SET,CAP M4*6NI 20pcs
S10	31049169	SCREW SET,CAP M4*8 3CBC+PW 20PCS
S11	31199701	SCREW SET,SET WP M3*3 NI 20 PCS
S12	31049157	SCREW,CAP M6*20 BC+PW+SW

1-13 ACCESSORIES



1-13 ACCESSORIES

PARTS LIST -Main Parts-

	Parts No.	Parts Name
1	23495124	AC CORD 3ASL100 240VA 10A SAA
2	13499111	AC CORD H05VV-F 240VE 10A S
3	23495125	AC-CORD H05VV 230V 10A S
4	13499209	ADAPTER PLUG (100V)
5	22845112	BASE,MEDIA CLAMP SP-300
6	11849102	BLADE,OLFA AUTO CUTTER XB10
7	13499109	AC CORD SJT 117V 10A 3PVC
8	13499102	CABLE-AC 100/117V 15A 2.5M 3P
9	13439801	CABLE-AC 3P CHINA 10A250V S
10	1000001639	CARTON,ACCESSORY XC-540
11	1000001627	CARTON,COVER XC-540
12	1000001643	CARTON,SHAFT SHEET XC-540
13	1000001628	CARTON,SLEEVE XC-540
14	1000001650	CARTON,SPACER XC-540
15	1000001635	CARTON,STAND L/R XC-540
16	1000001645	CARTON,STAND STAY XC-540
17	1000001629	CARTON,STAND XC-540
18	1000001649	CARTON,VKIT XC-540
19	11369122	CASE,PE BOTTLE 5-038-03
20	11759105	CLEANER,STICK TX712A
21	1000001535	COVER,BOTTLE INK XC-540
22	21995112	FLANGE,GUIDE PNS-501
23	12139657	GUIDE,INK FUNNEL PE 6-316-03
24	22565682	HEXAGONAL WRENCH 5
25	1000001534	HOLDER,BOTTLE INK XC-540
26	22535532	LABEL,CARTON CARE#LA7622
27	1000001623	LABEL,CARTON XC-540#LA930
28	22535393	LABEL,DRAIN BOTTLE FJ-540 #LA501
29	1000001099	LABEL,HARMFUL FIRE #LA915
30	22535357	LABEL,USE FORKLIFT #LA435
31	1000001406	MANUAL,INS EN XC-540
	1000001404	MANUAL,INS JP XC-540
32	1000001405	MANUAL,USE EN XC-540
	1000001403	MANUAL,USE JP XC-540
33	1000001642	PAD,ACCESSORY B XC-540
34	1000001641	PAD,ACCESSORY S XC-540
35	1000001648	PAD,DANCER XC-540
36	1000001631	PAD,L-LEFT XC-540
37	1000001632	PAD,L-RIGHT XC-540
38	1000001638	PAD,SHAFT GUARD XC-540
39	1000001644	PAD,SHAFT SHEET XC-540
40	1000001647	PAD,SLIDER XC-540
41	1000001640	PAD,SPACER ACCESSORY XC-540
42	1000001646	PAD,SPACER STAND STAY XC-540
43	1000001637	PAD,STAND L/R BASE XC-540
44	1000001636	PAD,STAND L/R TOP XC-540
45	1000001630	PAD,SUPPORT STAND XC-540
46	1000001633	PAD,U-LEFT XC-540
47	1000001634	PAD,U-RIGHT XC-540
48	22155133	PIPE,TOOL D9*L150 FJ-540
49	1000001523	PLATE,CLAMP MEDIA L XC-540
50	1000001524	PLATE,CLAMP MEDIA R XC-540
51	1000001602	SHEET,CLAMP MEDIA XC-540

52	1000001626	TRAY,SKID XC-540
53	12569656	TWEEZERS PTS-01
54	1000001604	PAD,INK TRASH XC-540
55	1000001603	COVER,INK TRASH XC-540
56	1000001561	STOPPER,CARRIAGE XC-540

PARTS LIST -Supplemental Parts-

	Parts No.	Parts Name
S1	31279201	LABEL,REPACKAGE #LA16
S2	31049169	SCREW SET,CAP M4*8 3CBC+PW 20PCS
S3	31229103	SCREW SET,TRUSS M2*6 NI 100 PCS
S4	31049157	SCREW,CAP M6*20 BC+PW+SW
S5	31139104	SCREW,PLAPOINT M4*6 BK FE
S6	31249220	WASHER SET,PLAIN 6.5*16*1 NI 100PCS