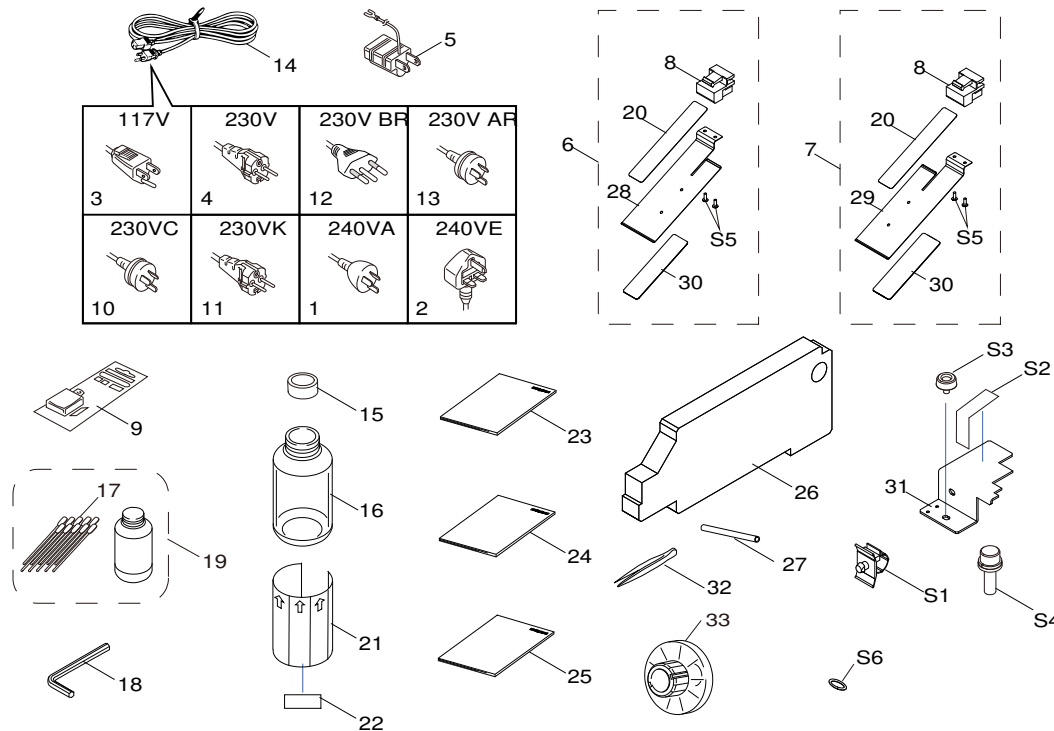
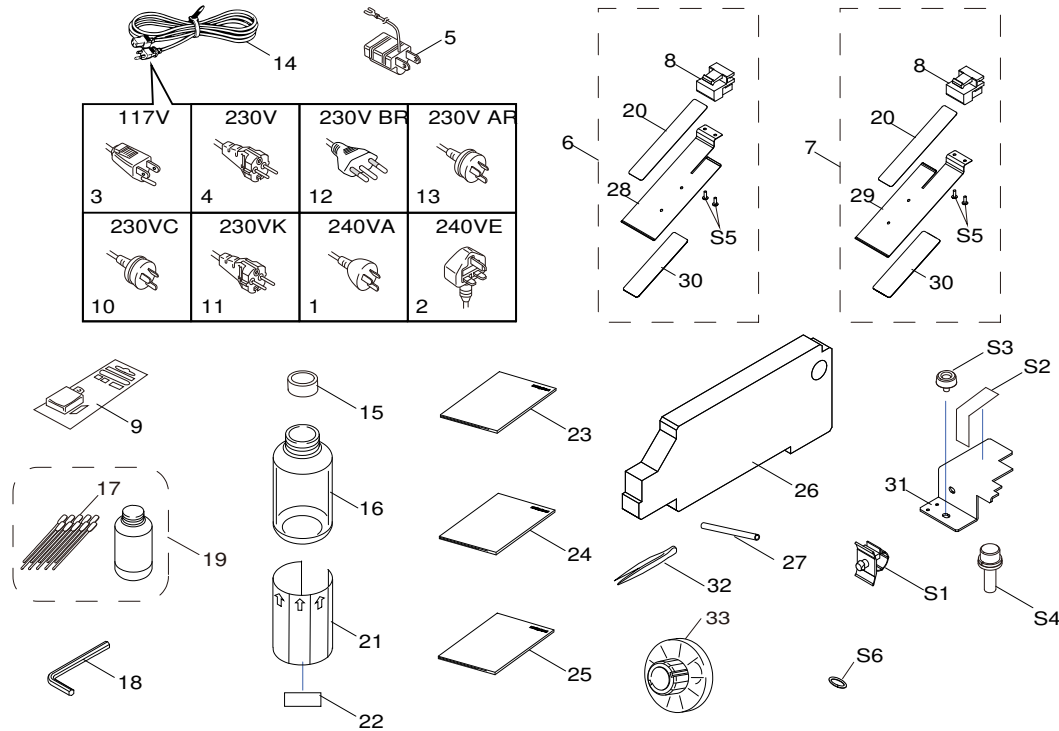


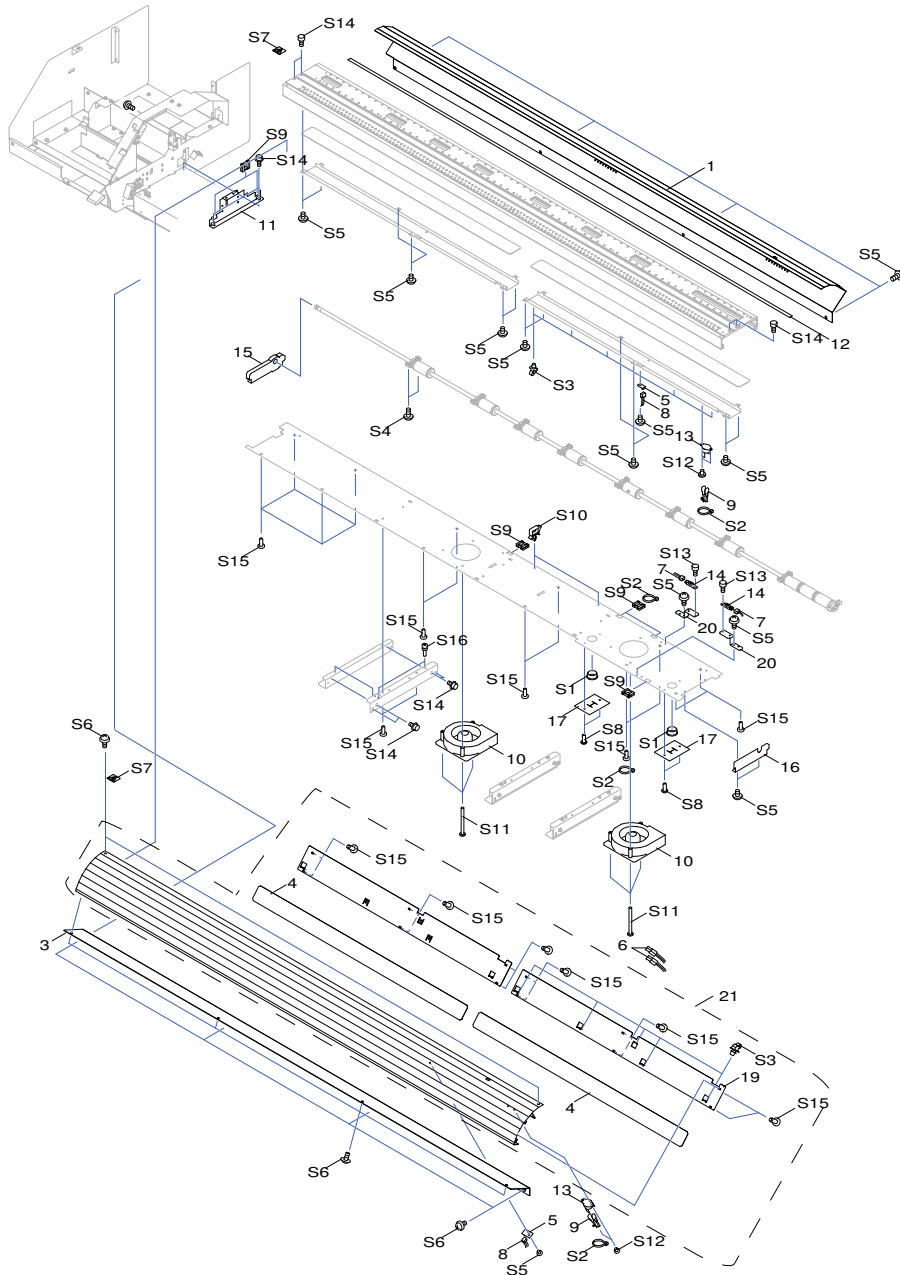
Pos	Code	Description
1	1000011045	CARTON,COVER VS-300I
2	1000011046	CARTON,SLEEVE VS-300I
4	1000011031	CARTON,STAND LEG VS-640I
5	1000011047	CARTON,STAND VS-300I
6	1000011029	CARTON,TRAY ARM VS-640I
7	22535532	LABEL,CARTON CARE #LA762
8	1000010708	LABEL,CARTON VS-300I#LA1558
8	1000012463	LABEL,CARTON VS-300I#LA1844
9	1000011024	PAD,CENTER VS-640I
10	1000011033	PAD,FEEDER VS-640I
11	1000011020	PAD,L-LEFT VS-640I
12	1000011021	PAD,L-RIGHT VS-640I
13	1000011034	PAD,PIPE FEEDER SHAFT VS-640I
14	21545178	PAD,RAIL SPACER SP-300
16	1000011032	PAD,STAND LEG VS-640I
17	1000011028	PAD,SUPPORT VS-640I
18	1000011030	PAD,TRAY ARM VS-640I
19	1000011022	PAD,U-LEFT VS-640I
20	1000011023	PAD,U-RIGHT VS-640I
21	1000011037	PAD,VKIT VS-640I
23	1000011048	TRAY,SKID VS-300I
23	1000014071	TRAY,SKID VS-300I
23	1000019079	TRAY,SKID SV VS-300I



Pos	Code	Description
1	23495124	AC CORD 3ASL100 240VA 10A SAA
2	13499111	AC CORD H05VV-F 240VE 10A S
3	13499109	AC CORD SJT 117V 10A 3PVC
4	23495125	AC-CORD H05VV 230V 10A S
5	13499209	ADAPTER PLUG (100V)
6	6701409060	ASSY,MEDIA CLAMP L LONG VS-640
7	6701409050	ASSY,MEDIA CLAMP R LONG VS-640
8	1000015117	BASE,CLAMP MEDIA SP-300_01
8	22845112	BASE,MEDIA CLAMP SP-300
9	11849102	BLADE,OLFA AUTO CUTTER XB10
10	13439801	CABLE-AC 3P CHINA 10A250V S
11	1000010999	CABLE-AC, H05VV 230V 10A KC
12	1000006571	CABLE-AC,3P 117/230V BR 2.5M
13	1000006097	CABLE-AC,3P 230VAR 2.5M TW
14	23495117	CABLE-AC,VCTF 100V 12A 3P-S
15	22335143	CAP,EPDM
16	11369115	CASE,PP BOTTLE
17	1000003138	SET,CLEANER STICK TX712A 10PCS.
17	1000007172	CLEANER SET,STICK TX712A 100PCS
17	ST-037	CLEAN STICK TX712A
18	22565682	HEXAGONAL WRENCH 5
19	22085118	KIT,CLEANING(SL)
19	6701409310	KIT,CLEANING(ESL5) 100ML
20	1000003017	LABEL,CLAMP MEDIA XC-540#LA991
21	22535144	LABEL,DRAIN BOTTLE #LA29
22	1000001099	LABEL,HARMFUL FIRE #LA915
23	1000010539	MANUAL,INS JP VS-640I
23	1000010540	MANUAL,INS EN VS-640I
24	1000010537	MANUAL,USE JP VS-640I
24	1000010538	MANUAL,USE EN VS-640I
25	1000011613	MANUAL,USE2 JP VS-640I
25	1000011614	MANUAL,USE2 EN VS-640I
26	1000008644	PAD,DUMMY CARTRIDGE VS-640
27	22155133	PIPE,TOOL D9*L150 FJ-540
28	22055691	PLATE,LONG CLAMP MEDIA L SP-540V
29	22055693	PLATE,LONG CLAMP MEDIA R SP-540V
30	1000006810	SHEET,CLAMP MEDIA VS-640
30	1000015598	SHEET,CLAMP MEDIA VS-640
31	1000010614	STOPPER,CARRIAGE VS-640I
32	12569656	TWEEZERS PTS-01

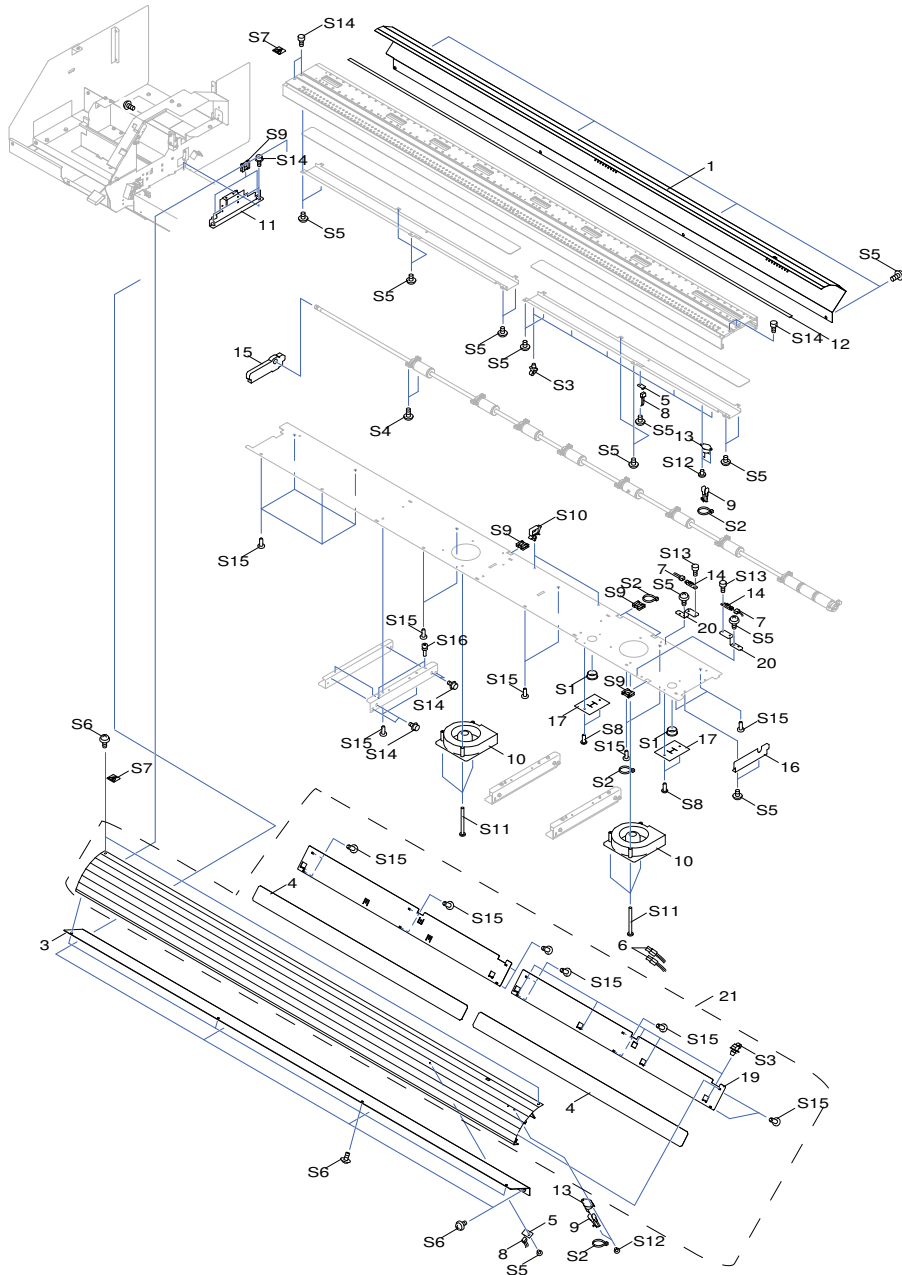
Pos	Code	Description
33	21995106	FLANGE,GUIDE 2 PNS-70
S1	31379111	CLAMP,CABLE CKS-13-H
S2	31279201	LABEL,REPACKAGE #LA16
S3	31139103	PLAPOINT,FE4*6 WH
S4	31049157	SCREW,CAP M6*20 3CBC+PW+SW
S5	31229103AS	SCREW SET,TRUSS M2*6 NI 100 PCS
S6	31249220AS	WASHER SET,PLAIN 6.5*16*1 NI 100PCS

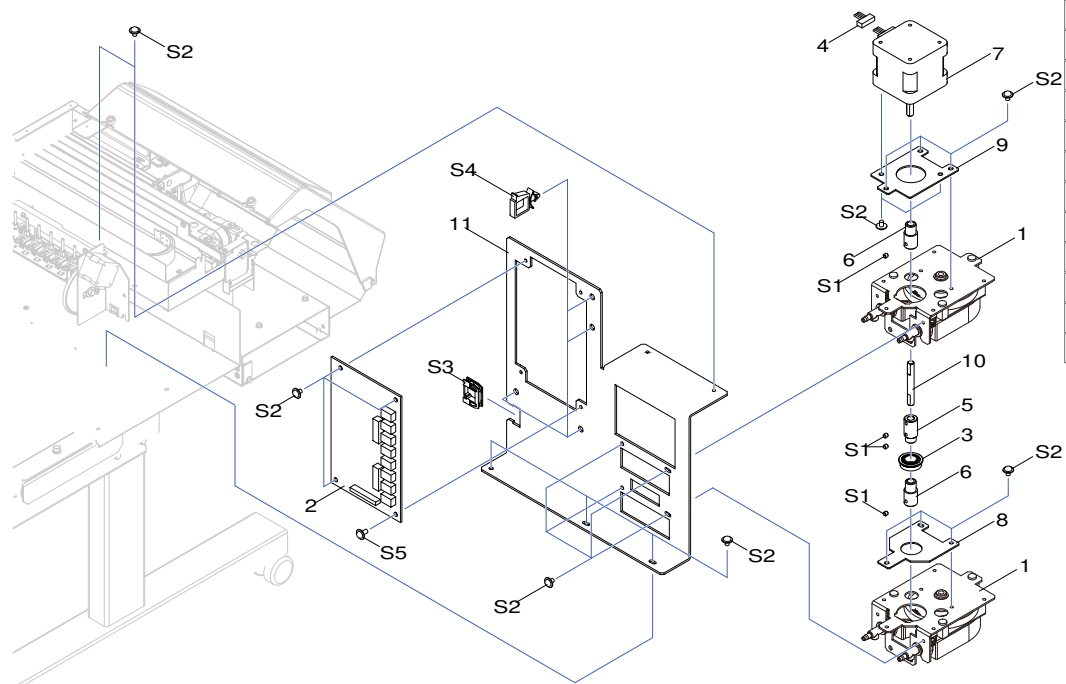




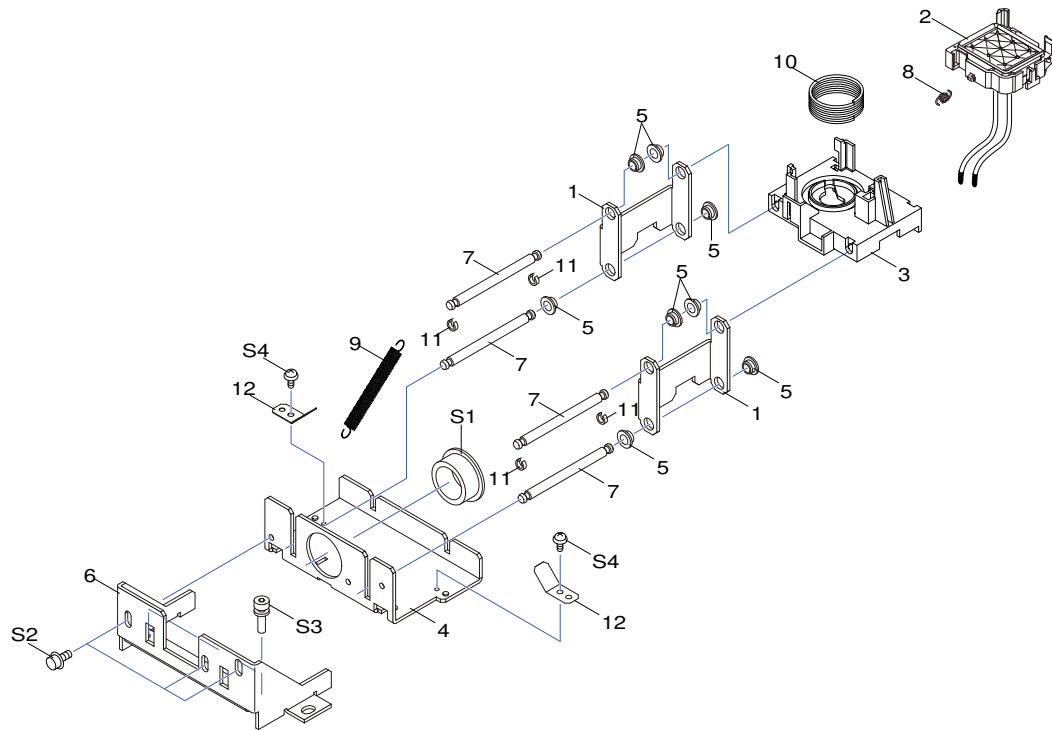
Pos	Code	Description
1	1000010649	APRON,B VS-300I
3	1000007244	APRON,F UNDER VS-300
4	1000002166	ASSY,CORD HEATER VP-300
5	6700469060	ASSY,THERMISTOR BOARD SERVICE
5	W701406060	ASSY,THERMISTOR BOARD VS-640
5	W702406060	ASSY,THERMISTOR BOARD VS-640I
6	1000002183	CABLE-ASSY,HEATER VP-540
7	1000010553	CABLE-ASSY,PAPER SENSOR VS-640I
7	1000020252	CABLE-ASSY,PAPER SENSOR VS-640I
8	1000002181	CABLE-ASSY,THERMISTOR VP-540
9	1000010554	CABLE-ASSY,THERMOSTAT VS-640I
10	1000000764	FAN,A35577-55ROL
11	1000006794	FRAME,SIDE BED L VS-640
12	1000002656	PAD,CUTTER VP-300
13	1000013820	SENSOR,03EN 9572 A65
13	15099124	SENSOR,US-602SXTLAS 65OFF 50ON
14	15099115	SENSOR-INTERRUPTER GP2A25NJ
15	1000002600	SHUTTER,BED L VP-540
16	1000002599	SHUTTER,BED R VP-540
17	21625103	SHUTTER,HEATER CORD SP-300
19	1000002669	STAY,DRY HEATER VP-300
20	1000002585	STAY,PAPER SENSOR VP-540
21	1000010648	ASSY,APRON F VS-300I
21	1000013805	ASSY,APRON F 2 SP300I
S1	31029101	BUSH,NB-19
S2	31329601AS	CLAMP SET,INSULOK T-18S 100 PCS.
S3	31329501AS	CLAMP SET,PUSH MOUNT RT30SSF5 20P
S4	31289112AS	CUPSCREW SET,M3*10 NI 100 PCS.
S5	31289109AS	CUPSCREW SET,M3*4 NI 100 PCS
S6	31289102AS	CUPSCREW SET,M3*6 NI 50 PCS.
S7	31279106	LABEL,CAUTION HOT SURF NO.778
S8	31299102AS	RIVET SET,NYLON P2655B 20 PCS.
S9	31409702	SADDLE SET,LOCKING WIRE LES-1010 20P
S10	3000000560	SADDLE,LOCKING WIRE LWS-0711Z_TH
S10	31409801AS	SADDLE,LOCKING WIRE LWS-0711Z 20P
S11	31019124	SCREW SET,BINDING M3*35 NI 50 PCS
S12	31019142AS	SCREW SET,BINDING M3*4 NI 100PCS.
S13	31049170AS	SCREW SET,CAP M3*8 NI 50 PCS.
S14	31049169AS	SCREW SET,CAP M4*8 3CBC+PW 20PCS
S15	31019703	SCREW,BINDING P-TIGHT M3*8 3C 100P

Pos Code	Description
S16 31179106	SCREW,JACK UP SP-540V

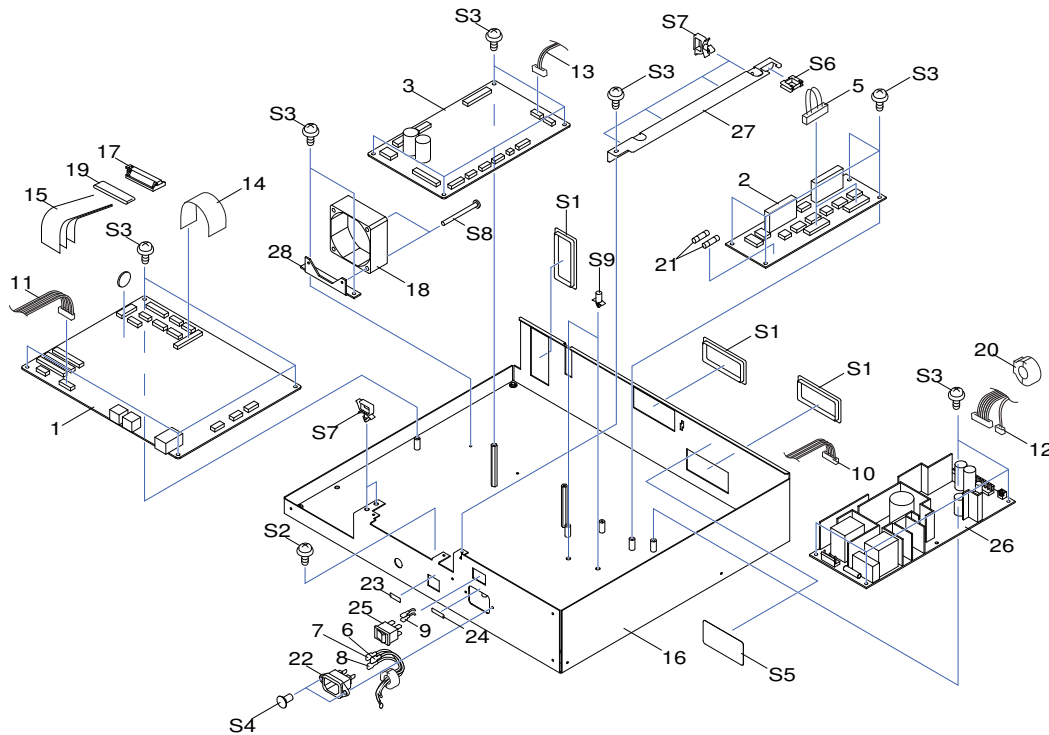




Pos	Code	Description
1	6701219010	ASSY,CIRCULATING PUMP LEC-330
2	W701406030	ASSY,INK TANK BOARD VS-640
2	W702406030	ASSY,INK TANK BOARD VS-640I
3	22175815	BEARING F8-16ZZ
4	1000006700	ABLE-ASSY,MIX PUMP VS-640
5	1000002564	COUPLING,PUMP VP-540
6	1000012988	GEAR,S10B20
6	21685122	GEAR,S10S20
7	1000018516	MOTOR,103-593-1041
7	22435106	MOTOR,103-593-1041
8	1000002595	PLATE,P-BEARING VP-540
9	1000001585	PLATE,P-MOTOR XC-540
9	1000020054	PLATE,P-MOTOR XC-540TH
10	1000002563	SHAFT,PUMP VP-540
11	1000010615	STAY,INK TANK BOARD VS-640I
S1	31199701AS	SCREW SET,SET WP M3*3 NI 20 PCS
S2	31289109AS	CUPSCREW SET,M3*4 NI 100 PCS
S3	31409702	SADDLE SET,LOCKING WIRE LES-1010 20P
S4	31409811AS	SADDLE SET,LOCKING WIRE LWS-1211Z 20P
S5	31289102AS	CUPSCREW SET,M3*6 NI 50 PCS.

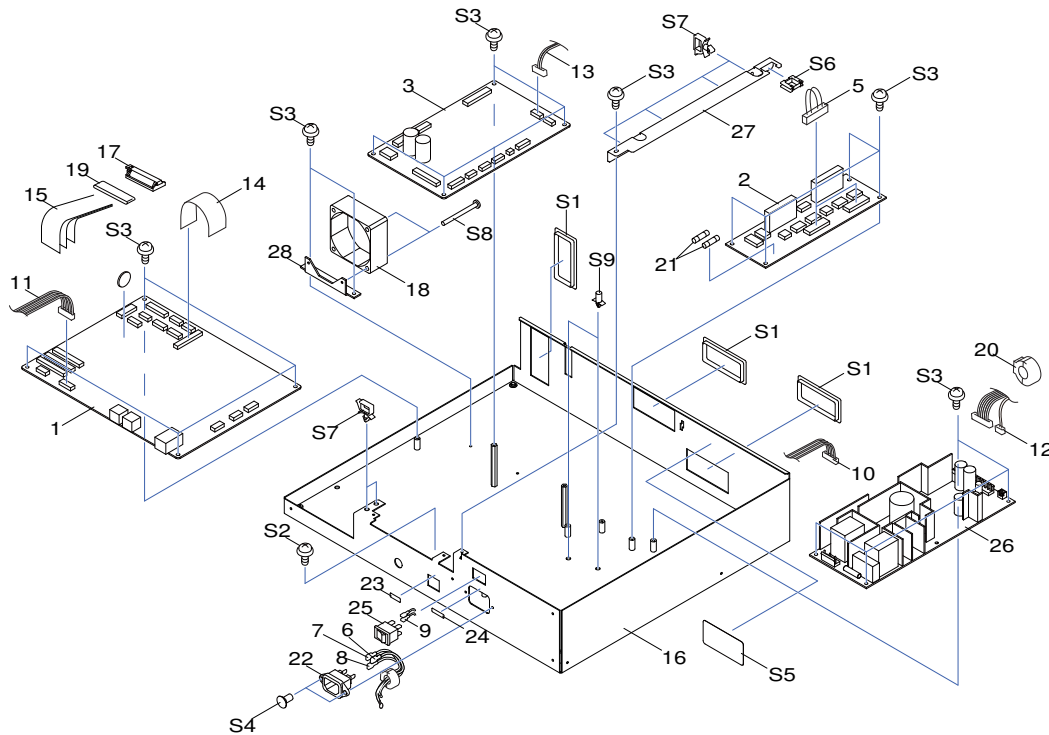


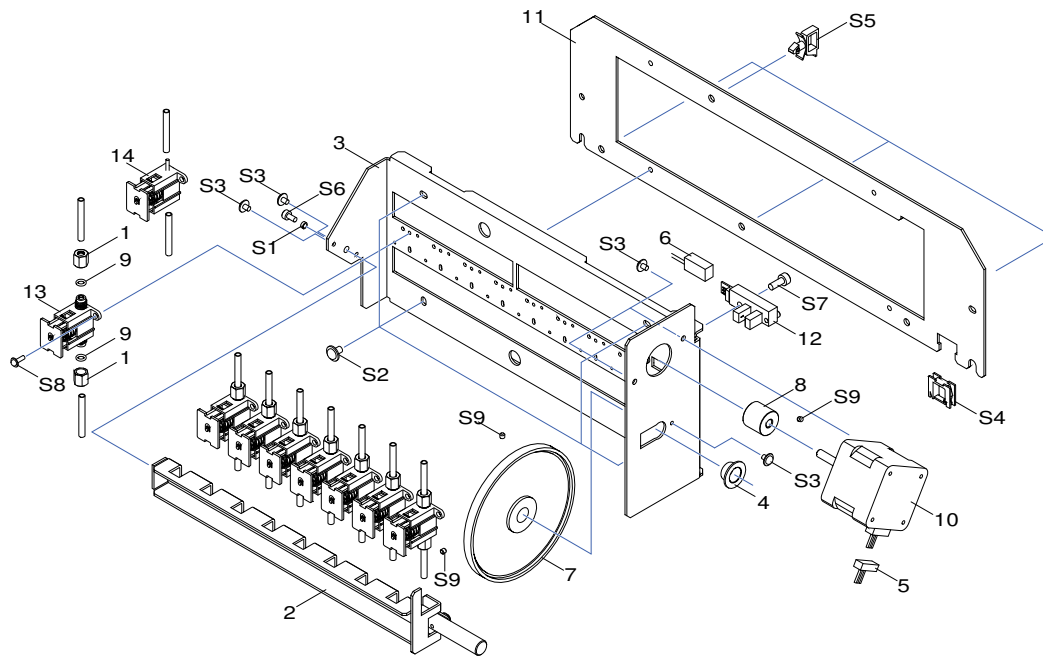
Pos	Code	Description
1	1000006747	ARM, LINK UP VS-640
1	1000019619	ARM, LINK UP VS-640TH
2	6701409200	ASSY, CAP TOP VS-640_01
3	1000006521	BASE, BACK-UP CAP VS-640
3	1000012824	BASE, BACK-UP CAP VS-640_01
4	1000006748	BASE, CAP VS-640
5	1000000796	BUSH, 80F-0503
5	1000018501	BUSH, 80F-0503
6	1000006749	FRAME, BASE CAP VS-640
7	1000006746	SHAFT, CAP VS-640
8	1000006524	SPRING, CAP FRONT VS-640
8	1000015181	SPRING, CAP FRONT VS-640
9	1000015183	SPRING, CAP SWING VS-640
10	1000007551	SPRING, CAP VS-640_01
10	1000015182	SPRING, CAP VS-640_01
11	22135349	STOPPER, PEN-HOLDER CM-24
12	1000002645	STOPPER, SHAFT CAP VP-540
S1	31029101	BUSH, NB-19
S2	31049169AS	SCREW SET, CAP M4*8 3CBC+PW 20PCS
S3	31179106	SCREW, JACK UP SP-540V
S4	31289109AS	CUPSCREW SET, M3*4 NI 100 PCS



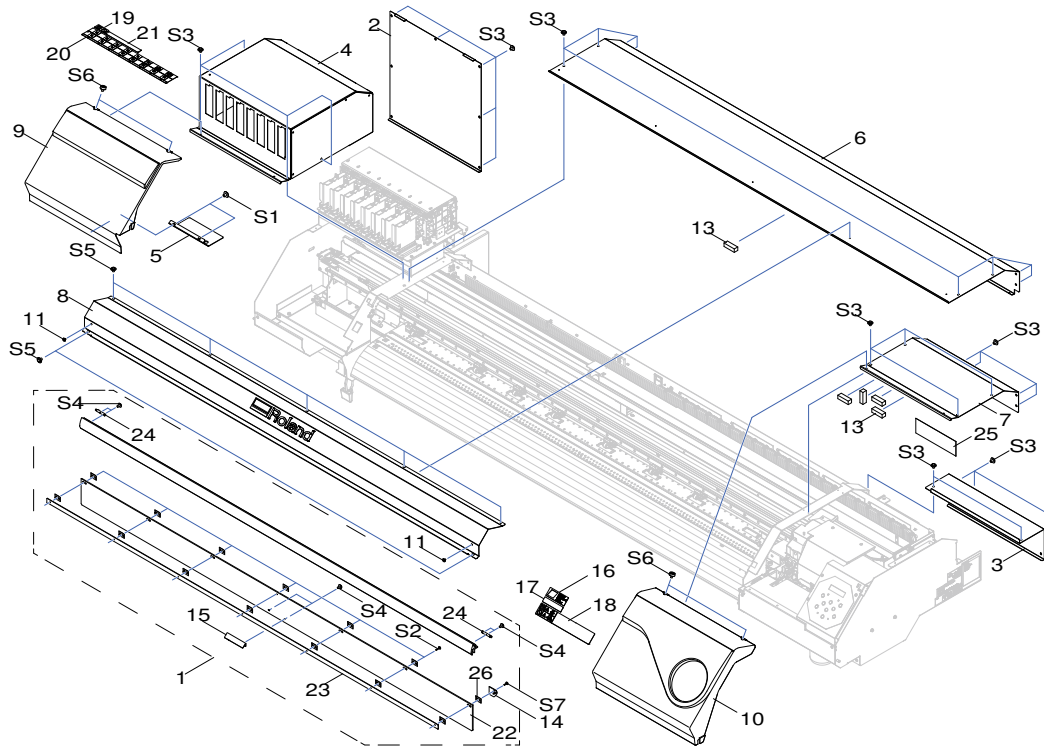
Pos	Code	Description
1	600002233	ASSY,MAIN BOARD LEF-300
1	600004710	ASSY,MAIN BOARD SV LEF2-200
1	600005184	ASSY,MAIN BOARD SV LEF2-300
1	6701039000	ASSY,MAIN BOARD RF-640
1	6702419000	ASSY,MAIN BOARD VS-640I
1	6703069000	ASSY,MAIN BOARD RT-640
2	W701406020	ASSY,POWER BOARD VS-640
2	W702406020	ASSY,POWER BOARD VS-640I
3	1000010546	ASSY,SERVO BOARD VS-640I
4	15009101	BATTERY CR2032
5	100002043	CABLE-ASSY,230V SELECTOR XC-540
5	100002044	CABLE-ASSY,117V SELECTOR XC-540
6	100002189	CABLE-ASSY,JUNBI A VP-540
6	1000012813	CABLE-ASSY,POWER-ACIN-L VS-640I
7	100002190	CABLE-ASSY,JUNBI B VP-540
7	1000012812	CABLE-ASSY,POWER-ACIN-N VS-640I
8	1000012811	CABLE-ASSY,POWER-ACIN-E VS-640I
8	23415268	CABLE-ASSY AC GROUND GREEN SP-540
9	23415116	CABLE-ASSY,JUNBI D SP-300
10	100002173	CABLE-ASSY,JUNBI E VP-540
11	23415117	CABLE-ASSY,POWER MAIN SP-300
12	1000004961	CABLE-ASSY,POWER SERVO RS-540
13	100002180	CABLE-ASSY,RELAY JUNCTION VP-540
14	23475197	CABLE CARD 25P1 105L BB FJ-540
15	1000007177	CABLE-CARD,36P1 2370L BB HIGH-V
16	1000010591	CHASSIS,VS-640I
17	11769118	CLAMP,FCM2-S6-14
18	1000006174	FAN,9A0624H414
19	1000004149	FILTER(E),FRC-40-12-1.7-013
20	12399353	FILTER(E) TFT-081813N F-540
21	12559105	FUSE,5X20 021706.3MXP 6.3A/250V
22	1000012814	INLET,RPE-2010
22	13429702	INLET AC P01CF01 15A250V
23	100002682	LABEL,LAN VP-540#LA964
24	22535117	LABEL,POWER CM-500 NO.893
25	13129170	POWER SW AJ7201B
26	1000006130	POWER UNIT,LEB150F-0536-XRLD A
27	1000010592	STAY,CABLE VS-640I
28	100002566	STAY,CHASSIS FAN VP-540
S1	31029106	BUSH,SQUARE SB-6025

Pos	Code	Description
S2	31289111AS	CUPSCREW SET, M4*6 NI 100 PCS.
S3	31289109AS	CUPSCREW SET,M3*4 NI 100 PCS
S4	31289102AS	CUPSCREW SET,M3*6 NI 50 PCS.
S5	31279191	LABEL,WARNING FUSE REPLACE #347
S6	31409702	SADDLE SET,LOCKING WIRE LES-1010 20P
S7	3000000560	SADDLE,LOCKING WIRE LWS-0711Z_TH
S7	31409801AS	SADDLE,LOCKING WIRE LWS-0711Z 20P
S8	31019124	SCREW SET,BINDING M3*35 NI 50 PCS
S9	31369102	SPACER,PCB SUPPORT PCB-8S

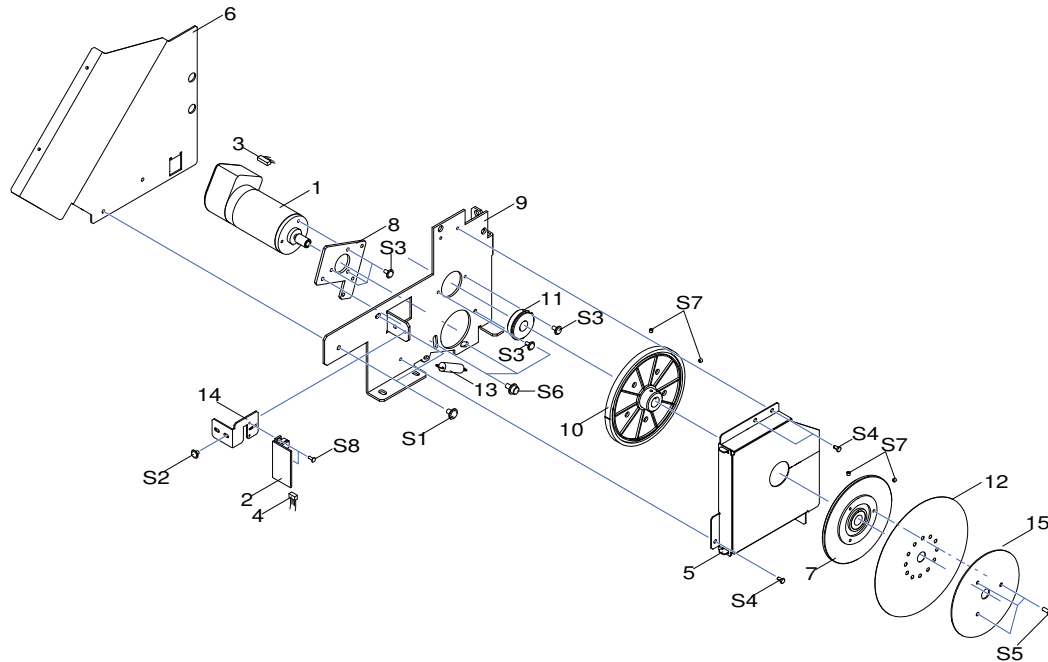




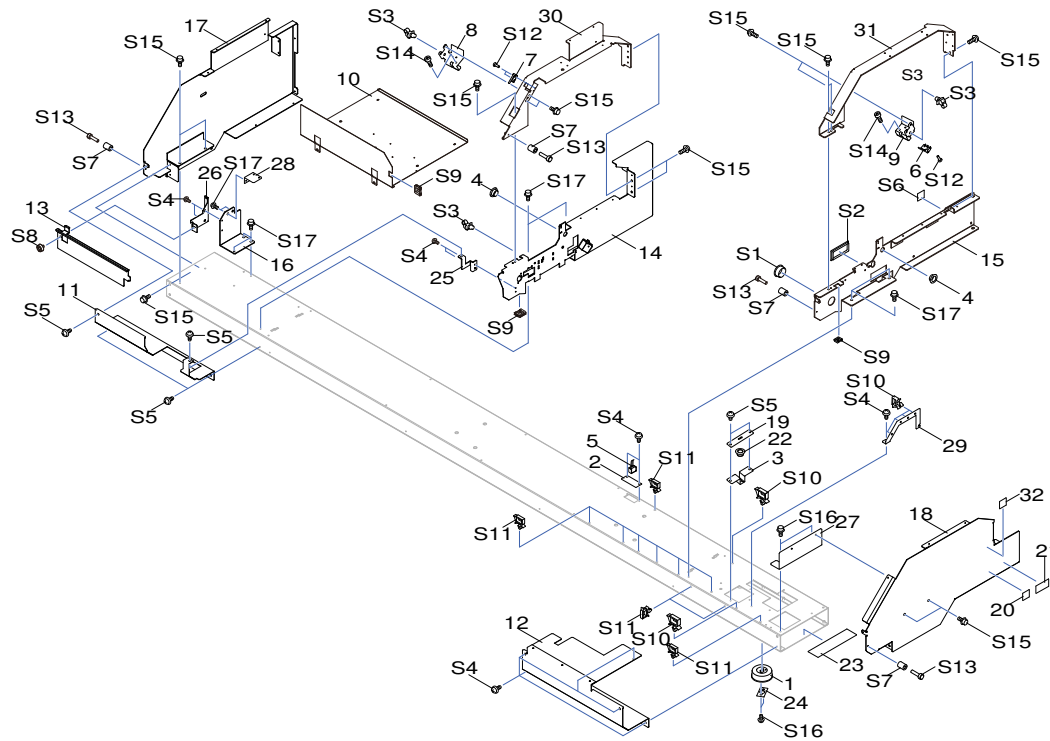
Pos	Code	Description
1	11909167	ADAPTER,SCREW 3FAI FJ-540
2	1000010220	ARM,CHOKE 8 XF-640
3	1000010611	BASE,CHOKE 8 VS-640I
4	1000018503	BUSH,80F-1006
4	12159563	BUSH,80F-1006
5	1000010564	CABLE-ASSY,CHOKE MOTOR VS-640I
6	1000006907	CABLE-ASSY,VALVE SENS VS-640
7	21685119	GEAR,S300S10 FJ-540
8	21685144	GEAR,S53S5(B15) FJ-540
9	11659249	HOLDER,RING O 3FAI FJ-540
10	1000007733	MOTOR,XS-5208-064
10	1000018514	MOTOR,103-5208-85542
11	1000010599	PLATE,CHOKE VS-640I
12	1000006689	SENSOR-INTERRUPTER,EE-SX4009-P1
13	1000009908	VALVE,CHOKE 1461811
14	1000019097	VALVE,CHOKE CG2057
S1	31029820	BUSH SET,ROLL 3*2 3C 50PCS
S2	31289111AS	CUPSCREW SET, M4*6 NI 100 PCS.
S3	31289109AS	CUPSCREW SET,M3*4 NI 100 PCS
S4	31409702	SADDLE SET,LOCKING WIRE LES-1010 20P
S5	3000000560	SADDLE,LOCKING WIRE LWS-0711Z_TH
S5	31409801AS	SADDLE,LOCKING WIRE LWS-0711Z 20P
S6	31049142AS	SCREW SET,CAP M3*6 NI MEC 20 PCS
S7	31049173AS	SCREW SET,CAP M4*10 NI 50 PCS.
S8	31089121AS	SCREW SET,PAN M2.3*8 NI+PW 100PCS
S9	31199701AS	SCREW SET,SET WP M3*3 NI 20 PCS



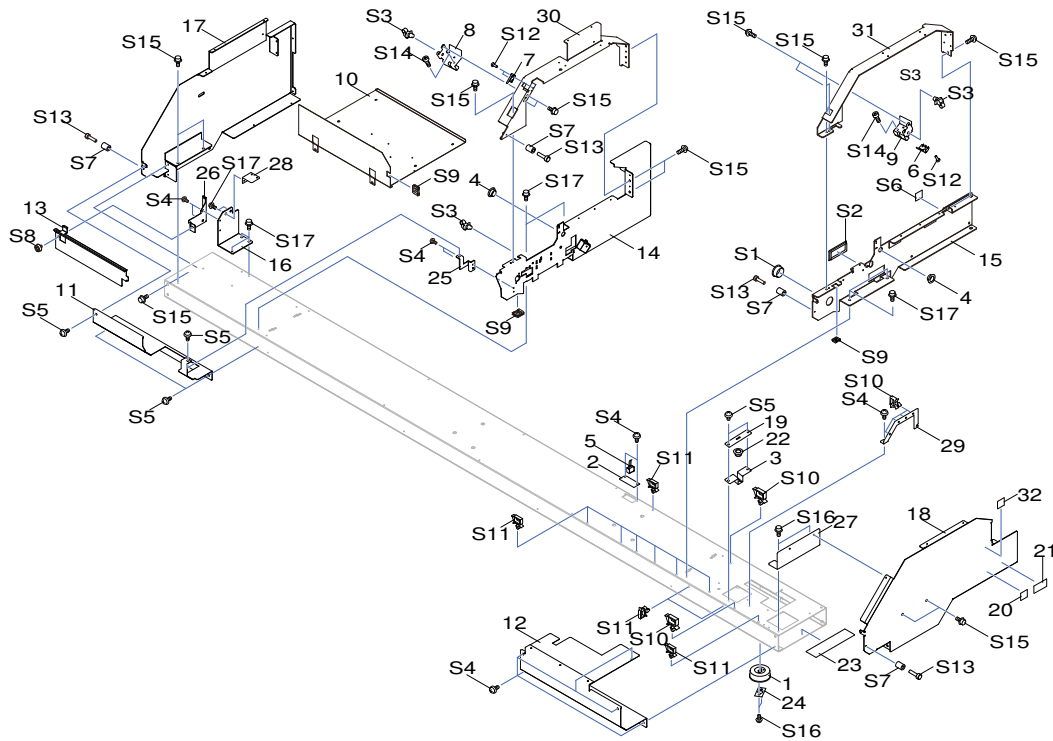
Pos	Code	Description
1	1000010652	ASSY,COVER FRONT VS-300I
2	1000010597	COVER,BACK L VS-640I
3	1000010593	COVER,CHASSIS VS-640I
3	1000012794	COVER,CHASSIS VS-640I
4	1000010596	COVER,EX UNIT VS-640I
5	1000006793	COVER,MAINTENANCE INKHEAD VS-640
6	1000010650	COVER,RAIL B VS-300I
7	1000010594	COVER,RAIL B-RIGHT VS-640I
8	1000010651	COVER,RAIL F VS-300I
9	1000010702	COVER,SIDE L VS-640I
10	1000010703	COVER,SIDE R VS-640I
11	12239406	CUSHION,TM-96-6
13	1000010373	GASKET,STGZ 15-13 L45
14	1000007014	HOOK,INT SW R VS-640
15	1000007284	KNOB,COVER FRONT VS-540
16	1000004160	LABEL, REFLECTION XC-540#LA1041
17	1000009387	LABEL, WARNING CARRIAGE#LA1365
17	1000019933	LABEL, CAUTION CARRIAGE THA#LA3324
18	1000006358	LABEL,CAUTION LEC-330#LA1149
18	1000019934	LABEL, CAUTION LEC-330 THA#LA3325
19	1000001099	LABEL,HARMFUL FIRE #LA915
20	1000010705	LABEL,SET INK VS-640I#LA1487
21	1000009754	LABEL,USE ECO-SOL MAX2#LA1407
22	1000007288	PLATE,COVER F VS-300
23	1000007290	PLATE,NUT COVER F VS-300
24	1000004198	SHAFT,COVER F VP-540
25	1000003089	SHEET,FRAME SUPPORT RAIL VP-540
26	1000020064	WASHER,COVER FJ-50TH
26	21425110	WASHER,COVER FJ-50
S1	31019703	SCREW,BINDING P-TIGHT M3*8 3C 100P
S2	31289112AS	CUPSCREW SET,M3*10 NI 100 PCS.
S3	31289109AS	CUPSCREW SET,M3*4 NI 100 PCS
S4	31289102AS	CUPSCREW SET,M3*6 NI 50 PCS.
S5	3000000225	CUP-SCREW,3*4 NI MEKKU 20PICS
S6	31139103	PLAPOINT,FE4*6 WH
S7	31049107AS	SCREW SET,CAP M3*12 3CBC 20 PCS



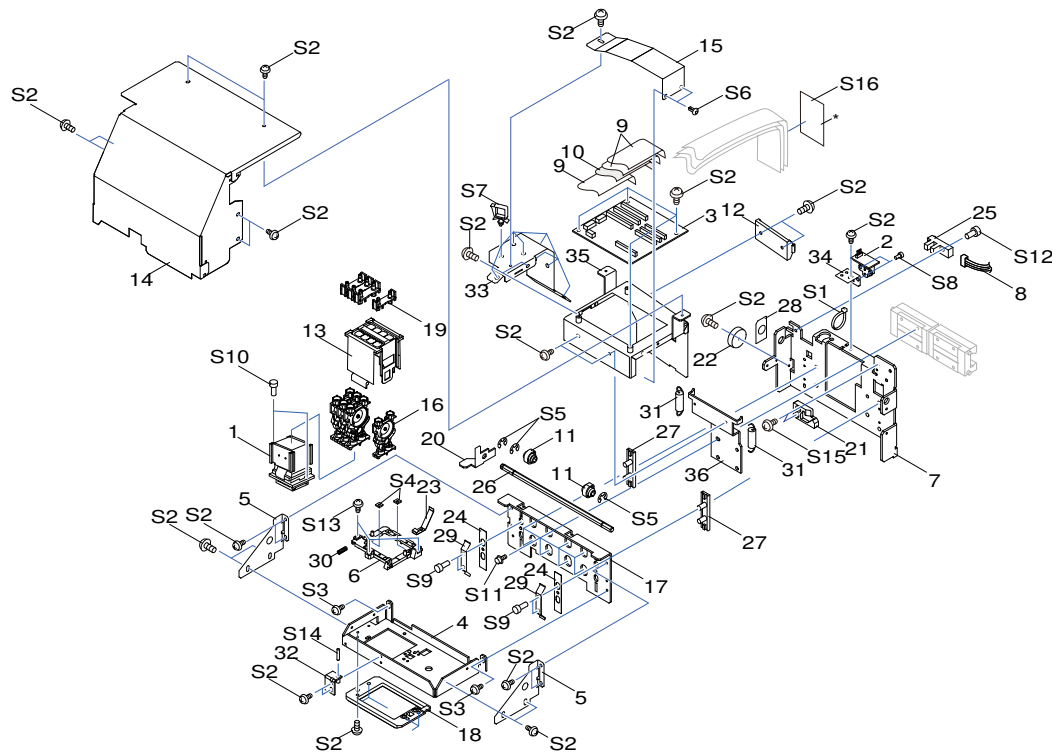
Pos	Code	Description
1	6000002592	ASSY,FEED MOTOR VS-640_01
1	6000003427	ASSY,FEED MOTOR SV VG-640 T
1	6701409040	ASSY,FEED MOTOR VS-640
2	W701407040	ASSY,GRIT ENCODER BOARD VS-640
2	W702407040	ASSY,GRIT ENCODER VS-640I
3	1000010551	CABLE-ASSY,FEED MOTOR VS-640I
4	1000010559	CABLE-ASSY,GRIT ENC VS-640I
5	1000009413	COVER,FEED GEAR RE-640
6	1000006765	COVER,SCAN MOTOR VS-640
7	1000002593	FLANGE,GRIT-ENCORDER VP-540
8	1000010626	FLANGE,MOTOR FEED VS-640I
9	1000008039	FRAME,SCAN MOTOR VS-640_01
10	21685128	GEAR H300 S10(B6C16POM)
11	1000006709	R-BEARING,6000ZZNR*NS7S
12	1000002162	SHEET,ROTARY DISK SLIT 360LPI
13	22175157	SPRING,C P-ROLLER CM-500
14	1000002596	STAY,G-ENCODER SENSOR VP-540
15	1000002594	STOPPER,GRIT-ENCORDER VP-540
15	1000015595	STOPPER,GRIT-ENCORDER VP-540
S1	31289111AS	CUPSCREW SET, M4*6 NI 100 PCS.
S2	31289109AS	CUPSCREW SET,M3*4 NI 100 PCS
S3	31289102AS	CUPSCREW SET,M3*6 NI 50 PCS.
S4	31299102AS	RIVET SET,NYLON P2655B 20 PCS.
S5	31049170AS	SCREW SET,CAP M3*8 NI 50 PCS.
S6	31049169AS	SCREW SET,CAP M4*8 3CBC+PW 20PCS
S7	31199701AS	SCREW SET,SET WP M3*3 NI 20 PCS
S8	31229103AS	SCREW SET,TRUSS M2*6 NI 100 PCS



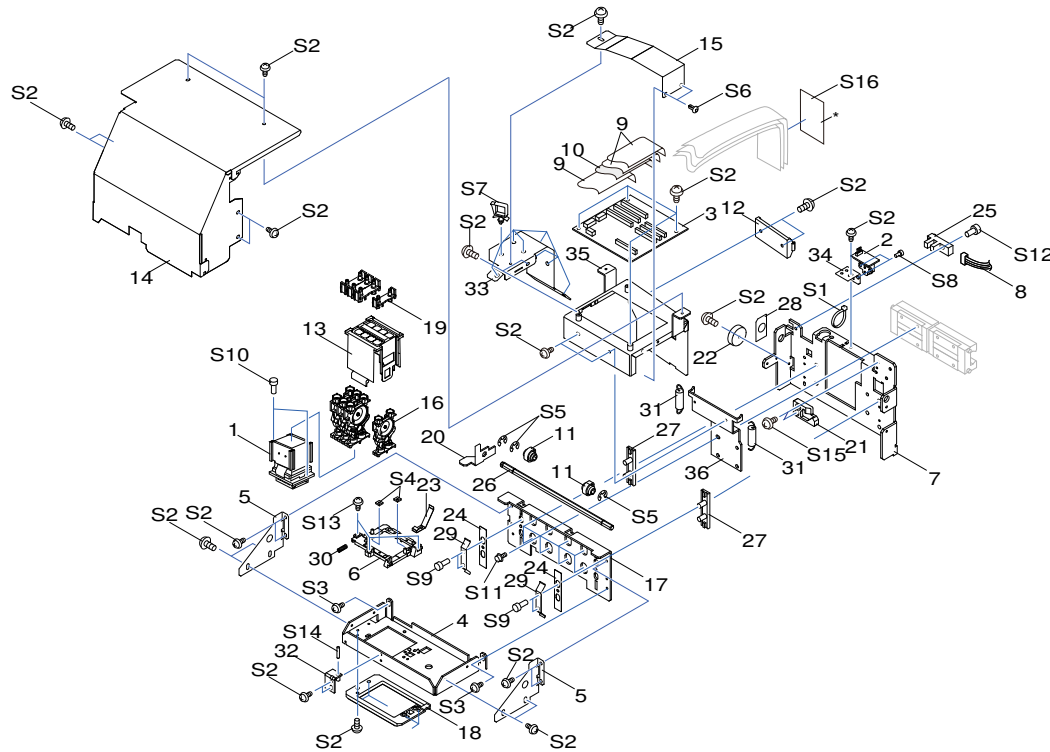
Pos	Code	Description
1	7520501000	ASSY,CAP BOTTLE 2 FJ-52
2	W701406040	ASSY,FAN JUNCTION BOARD VS-640
2	W702406040	ASSY,FAN JUNCTION BOARD VS-640I
3	21985140	BRACKET,INK CATCH TANK SP-540V
4	1000018504	BUSH,SHAFT OILES 80F-1206
4	12159508	BUSH,SHAFT OILES 80F-1206
5	1000002168	CABLE-ASSY,FAN VP-540
6	1000010560	CABLE-ASSY,F-COVER R VS-640I
7	1000006695	CABLE-ASSY,M-COVER L VS-640
8	1000006785	COVER,INT SW L VS-640
9	1000006786	COVER,INT SW R VS-640
10	1000010590	COVER,L BOTTOM VS-640I
11	1000006792	COVER,UNDER L VS-640
12	1000006756	COVER,UNDER R VS-640
13	1000010600	FRAME,AUTOCUTTER VS-640I
14	1000010570	FRAME,MIDDLE L VS-640I
15	1000010569	FRAME,MIDDLE R VS-640I
16	1000010602	FRAME,RAIL STAY VS-640I
16	1000020041	FRAME,RAIL STAY VS-640ITH
17	1000010587	FRAME,SIDE L VS-640I
18	1000010586	FRAME,SIDE R VS-640I
19	1000006410	HOLDER,PUMP TUBE SP-300I
20	1000003489	LABEL,MARK ECO#LA1014
21	22535444	LABEL,READ MANUAL #LA637
22	22155763	OILES BUSH 80F-0806
23	1000003088	PAD,BASE BOTTOM VP-540
24	22055474	PLATE,INK CATCH TANK FJ-52
25	1000010622	STAY,COVER UNDER VS-640I
26	1000010601	STAY,FRAME AC VS-640I
26	1000020040	STAY,FRAME AC VS-640ITH
27	1000006788	STAY,FRAME SIDE R VS-640
28	1000002554	STAY,SUPPORT RAIL L VP-540
29	1000006807	SUPPORT,CABLE VS-640
30	1000010572	SUPPORT,FRAME L VS-640I
31	1000010571	SUPPORT,FRAME R VS-640I
32	1000013175	LABEL, INDONESIA THA#LA2044(for Indonesia only)
S1	31029101	BUSH,NB-19
S2	31029106	BUSH,SQUARE SB-6025
S3	31329501AS	CLAMP SET,PUSH MOUNT RT30SSF5 20P
S4	31289109AS	CUPSCREW SET,M3*4 NI 100 PCS



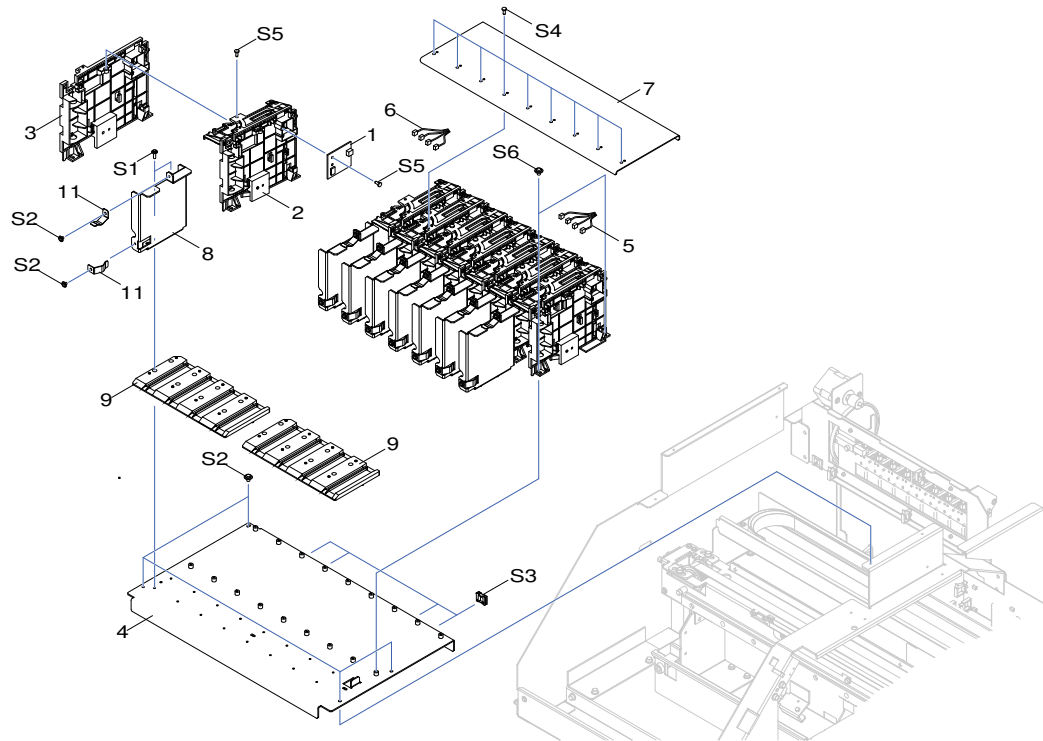
Pos	Code	Description
S5	31289102AS	CUPSCREW SET,M3*6 NI 50 PCS.
S6	31279121	LABEL,FLASH-LIGHTING NO.E-582
S7	31129101	PIPE SET,POLYCA 3*6*8 20PCS
S8	31139103	PLAPOINT,FE4*6 WH
S9	31409702	SADDLE SET,LOCKING WIRE LES-1010 20P
S10	31409811AS	SADDLE SET,LOCKING WIRE LWS-1211Z 20P
S11	3000000560	SADDLE,LOCKING WIRE LWS-0711Z_TH
S11	31409801AS	SADDLE,LOCKING WIRE LWS-0711Z 20P
S12	31019149	SCREW SET,BINDING M2.3*8 3CBC 100PCS
S13	31049171AS	SCREW SET,CAP M3*12 NI 50 PCS.
S14	31049170AS	SCREW SET,CAP M3*8 NI 50 PCS.
S15	31049169AS	SCREW SET,CAP M4*8 3CBC+PW 20PCS
S16	31239125AS	SCREW SET,W-SEMS M3*8 SUS 50 PCS.
S17	31069104	SCREW,CAP M4*6+FL NI



Pos	Code	Description
1	6701409010	ASSY,HEAD INKJET VS-640
2	6700989040	ASSY,LINEAR ENC BOARD SERVICE 1
2	W701407030	ASSY,LINEAR ENCODER BOARD VS-640
2	W702407030	ASSY,LINEAR ENCODER BOARD VS-640I
3	W702407010	ASSY,PRINT CARRIAGE BOARD VS-640I
4	1000006716	BASE,CARRIAGE AL VS-640
5	1000009283	BASE,CARRIAGE SIDE AL RE-640
6	1000006530	BASE,HEAD VS-640
7	1000010604	BASE,HOLDER CARRIAGE VS-640I
8	1000006692	CABLE-ASSY,HEAD UD SENS VS-640
9	1000006702	CABLE-CARD,29P1 256L BB HIGH-V
10	1000006703	CABLE-CARD,29P1 276L BBR HIGH-V
11	1000015115	CAM,CARRIAGE FJ-540_02
11	21775103	CAM,CARRIAGE FJ-540
12	11769118	CLAMP,FCM2-S6-14
13	1000006528	COVER,HEAD INKJET VS-640
14	1000009151	COVER,PRINT CARRIAGE VS-640_01
14	1000013798	COVER,PRINT CARRIAGE VS-640_02
15	1000006805	COVER,PRINT JUNCTION VS-640
16	1000006526	DAMPER,INK VS-640
16	1000013784	DAMPER,INK IHP XR-640
16	1000016472	DAMPER,INK IHP2 XR-640
17	1000006718	FRAME,CARRIAGE U/D VS-640
18	1000006525	GUIDE,CARRIAGE CAP VS-640
18	1000012825	GUIDE,CARRIAGE CAP VS-640_01
19	1000006529	JOINT,HEAD VS-640
20	1000002587	LEVER,CARRIAGE VP-540
20	1000016620	LEVER,CARRIAGE VP-540_02
21	21345105	LOCK,CJ-500
22	1000010491	MAGNET,SMF-2137
23	1000006531	PLATE,GND VS-640
24	22055548	PLATE,SLIDER CARRIAGE FJ-540
25	1000006689	SENSOR-INTERRUPTER,EE-SX4009-P1
26	1000006766	SHAFT,HEXAGON CARRIAGE VS-640
27	1000015113	SLIDER,CARRIAGE FJ-540_02
27	22185127	SLIDER,CARRIAGE FJ-540
28	1000002623	SPACER,U/D LEVER VP-540
29	22175159	SPRING,CARRIAGE SIDE FJ-50
30	22175520	SPRING,HEAD ADJUST 500 FJ-540
31	22625109	SPRING,PULL CARRIAGE 3500 FJ-540

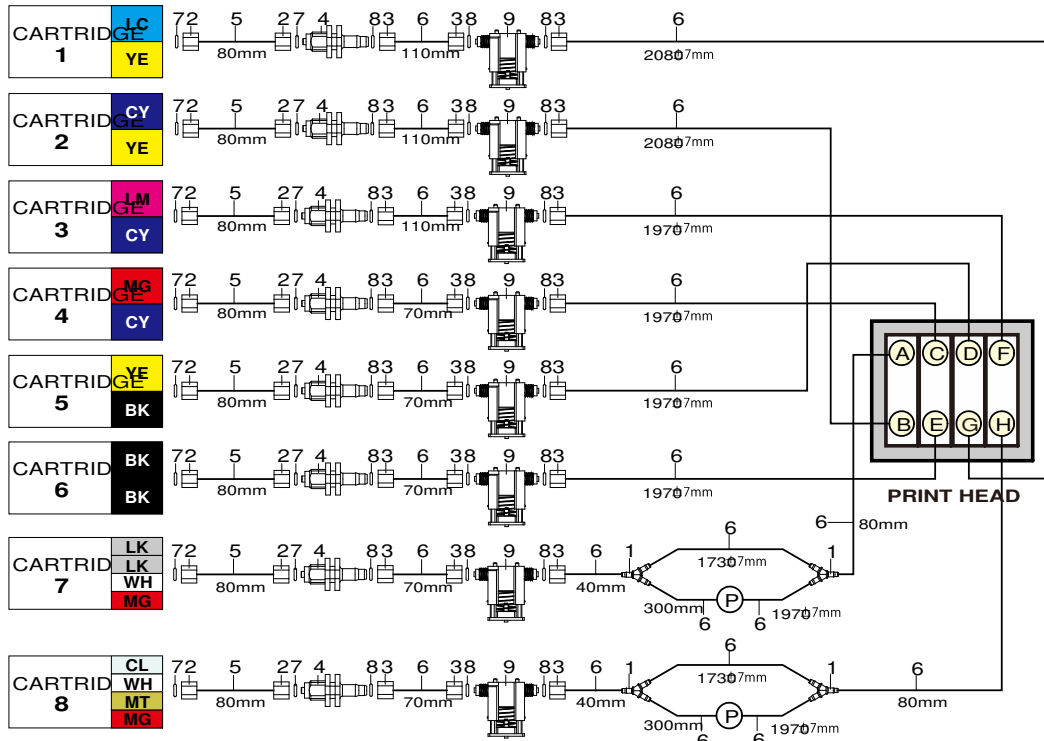


Pos	Code	Description
32	1000006732	STAY,ALIGN HEAD VS-640
33	1000010603	STAY,CARRIAGE TUBE VS-640I
33	1000020042	STAY,CARRIAGE TUBE VS-640ITH
34	1000000417	STAY,ENCORDER SENSOR SP-540V
35	1000010618	STAY,HOLDER CARRIAGE BOARD VS-640I
36	1000009280	SUPPORT,CARRIAGE BOARD RE-640
S1	31329601AS	CLAMP SET,INSULOK T-18S 100 PCS.
S2	31289109AS	CUPSCREW SET,M3*4 NI 100 PCS
S3	31289102AS	CUPSCREW SET,M3*6 NI 50 PCS.
S4	31109601	NUT SET,SQUARE M3*6*1.6 FE NI 100PCS
S5	31149703AS	RING SET,E-RING ETW-4 100 PCS.
S6	31299102AS	RIVET SET,NYLON P2655B 20 PCS.
S7	31409811AS	SADDLE SET,LOCKING WIRE LWS-1211Z 20P
S8	31019148AS	SCREW SET,BINDING M2.6*4 NI 100 PCS
S9	31799103	SCREW SET,CAP M3*15 NI 20PCS
S10	31049170AS	SCREW SET,CAP M3*8 NI 50 PCS.
S11	31049169AS	SCREW SET,CAP M4*8 3CBC+PW 20PCS
S12	31049173AS	SCREW SET,CAP M4*10 NI 50 PCS.
S13	31089121AS	SCREW SET,PAN M2.3*8 NI+PW 100PCS
S14	31199905AS	SCRW SET,SET CONE M3*16 NI 20 PCS
S15	31239125AS	SCREW SET,W-SEMS M3*8 SUS 50 PCS.
S16	39008183	DUNPLON TAPE NO.375 75MM*50M

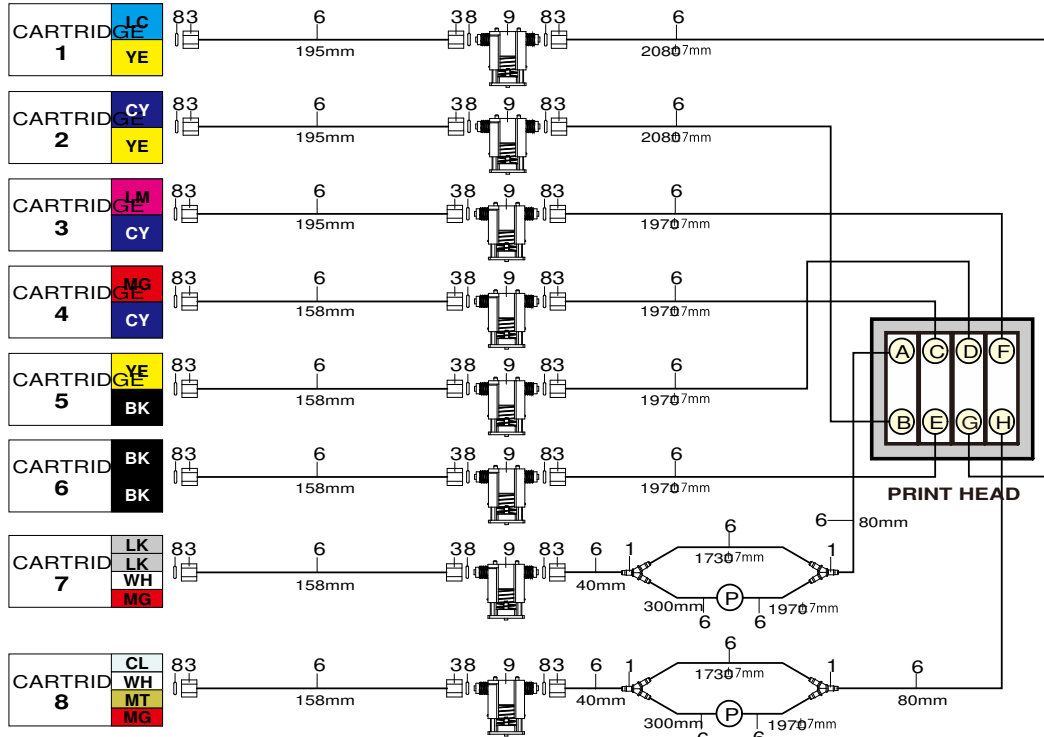


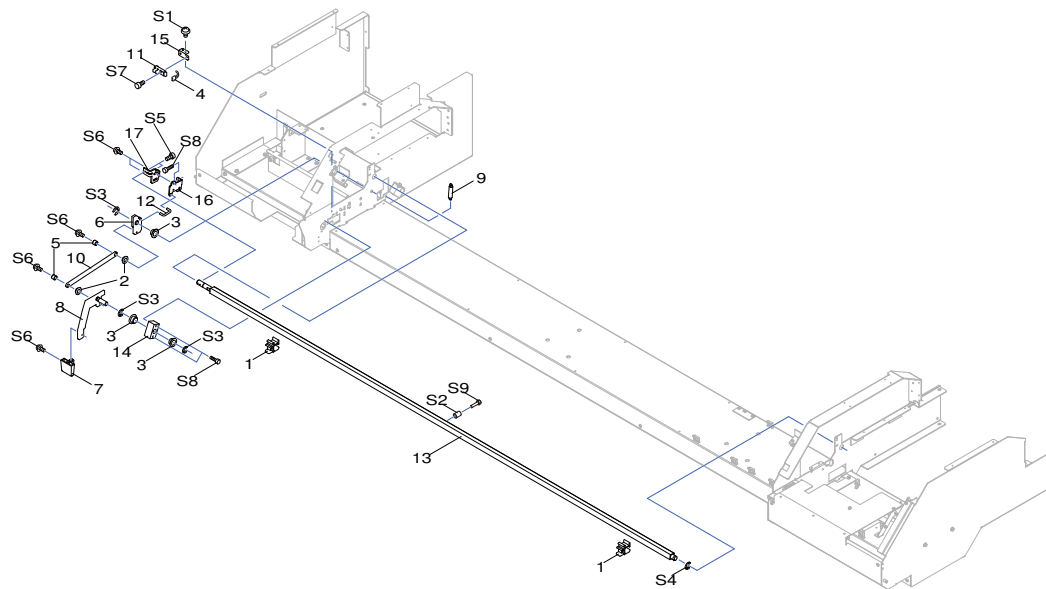
Pos	Code	Description
1	W701406070	ASSY,CARTRIDGE IC BOARD VS-640
1	W702406070	ASSY,CARTRIDGE IC BOARD VS-640I
2	6702041180	ASSY,HOLDER I/C XF-640
2	6702710230	ASSY,HOLDER I/C RF-640
3	1000010195	BASE,I/C XF-640
4	1000010610	BASE,INKCARTRIDGE VS-640I
5	1000010562	CABLE-ASSY,INK IC 1-4 VS-640I
6	1000010563	CABLE-ASSY,INK IC 5-8 VS-640I
7	1000010609	PLATE,CARTRIDGE JOINT VS-640I
8	1000008565	PLATE,HOLDER I/C2 VS-640
8	1000015187	PLATE,HOLDER I/C2 VS-640
9	1000008566	PLATE,IC VS-640
10	1000010627	SHEET,INK CARTRIDGE VS-640I
11	22625103	SPRING,PRESS CARTRIDGE SP-300
S1	31289112AS	CUPSCREW SET,M3*10 NI 100 PCS.
S2	31289109AS	CUPSCREW SET,M3*4 NI 100 PCS
S3	31409702	SADDLE SET,LOCKING WIRE LES-1010 20P
S4	31019702AS	SCREW SET,BIND P-TIGHT M3*6 3C 100P
S5	31019703	SCREW,BINDING P-TIGHT M3*8 3C 100P
S6	31089117	SCREW SET,PAN 3*6 NI+PW 100 PCS.

Pos	Code	Description
1	1000002679	ADAPTER,JUNCTION VPY306
2	11909133	ADAPTER,SCREW 2FAI FJ-50
3	11909167	ADAPTER,SCREW 3FAI FJ-540
4	1000001589	ADAPTER,TUBE 2-3FAI XC-540
5	22805572	ASSY,TUBING 2*80MM SP-540V
6	1000002455	ASSY,TUBING 3*3080MM FP-740
7	11659149	HOLDER,RING O 2FAI FJ-50
8	11659249	HOLDER,RING O 3FAI FJ-540
9	1000009908	VALVE,CHOKE 1461811
9	1000019097	VALVE,CHOKE CG2057



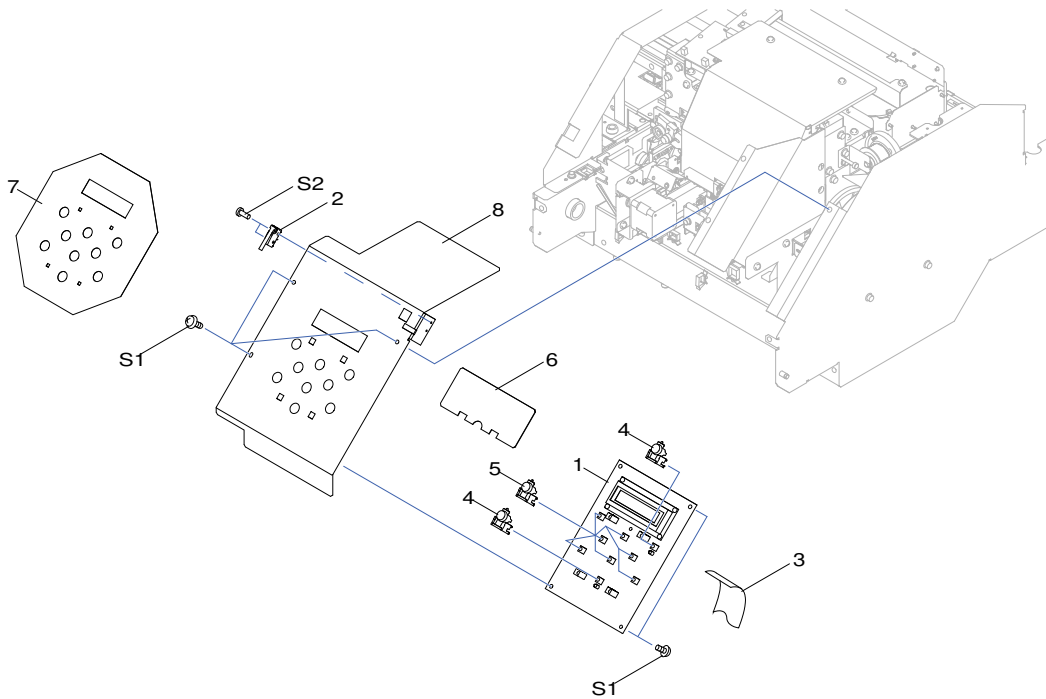
Pos	Code	Description
1	100002679	ADAPTER,JUNCTION VPY306
3	11909167	ADAPTER,SCREW 3FAI FJ-540
6	1000003810	ASSY,TUBING 3*2350MM XJ-640
8	11659249	HOLDER,RING O 3FAI FJ-540
9	1000009908	VALVE,CHOKE 1461811
9	1000019097	VALVE,CHOKE CG2057

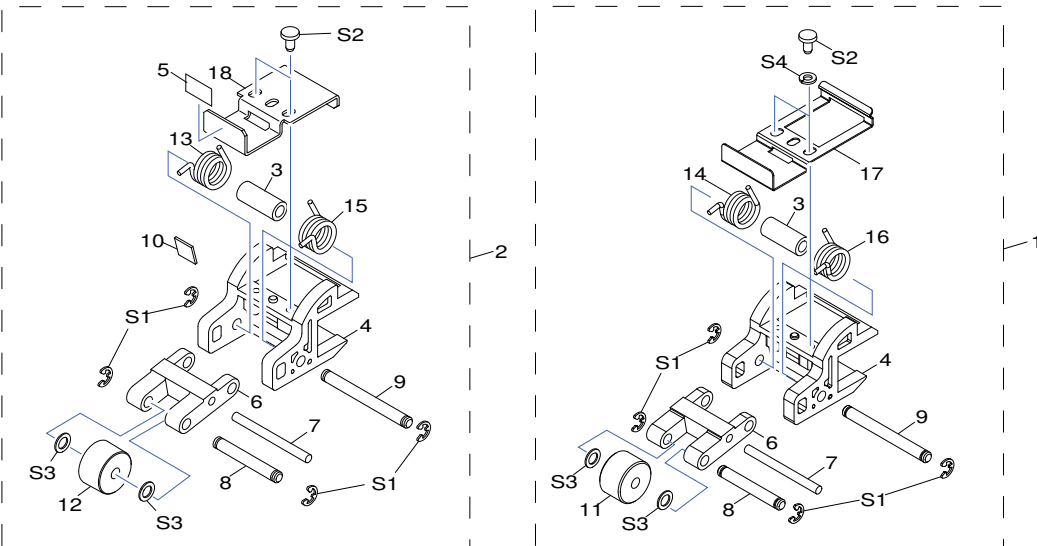




Pos	Code	Description
1	1000015110	ADAPTER,CLAMP MEDIA SP-500_01
1	21905192	ADAPTER,CLAMP MEDIA SP-540V
2	1000018512	BUSH,80F-0603
2	12159573	BUSH,80F-0603
3	1000018503	BUSH,80F-1006
3	12159563	BUSH,80F-1006
4	1000006701	CABLE-ASSY,PINCH UD SENS VS-640
5	1000012953	COLLAR,LEVER FJ-540
5	21745109	COLLAR,LEVER FJ-540
6	22305101	GUIDE,LEVER SP-300
7	1000001601	KNOB,XC-540
7	1000015118	KNOB,XC-540_01
8	1000006809	LEVER,CAM PINCH VS-640
9	22175105	PINCH ROLL SPRING
10	1000002609	PLATE,LEVER LINK VP-540
11	1000006689	SENSOR-INTERRUPTER,EE-SX4009-P1
12	22145393	SHAFT,JOINT PNC-960
13	22295270	SHAFT,SQUARE SP-300
14	22035196	STAND,LEVER SP-300
15	1000002555	STAY,LEVER SENSOR VP-540
16	1000009349	STAY,PINCH LEVER ADJUST RE-640
17	1000009348	STAY,PINCH LEVER RE-640
S1	31289109AS	CUPSCREW SET,M3*4 NI 100 PCS
S3	3000000558	RING,E ETW-7 SUS_TH
S3	31149705	RING SET,E-RING ETW-7 SUS 50PCS
S4	3000000559	RING,E ETW-10 SUS_TH
S4	31149706AS	RING SET,E-RING ETW-10 SUS 20 PCS
S5	31049142AS	SCREW SET,CAP M3*6 NI MEC 20 PCS
S6	31049169AS	SCREW SET,CAP M4*8 3CBC+PW 20PCS
S7	31049173AS	SCREW SET,CAP M4*10 NI 50 PCS.
S8	3000000423	CAP-SCREW,4*25 3CBC 100PCS
S8	31049137AS	SCREW SET,CAP M4*25 3CBC 20 PCS

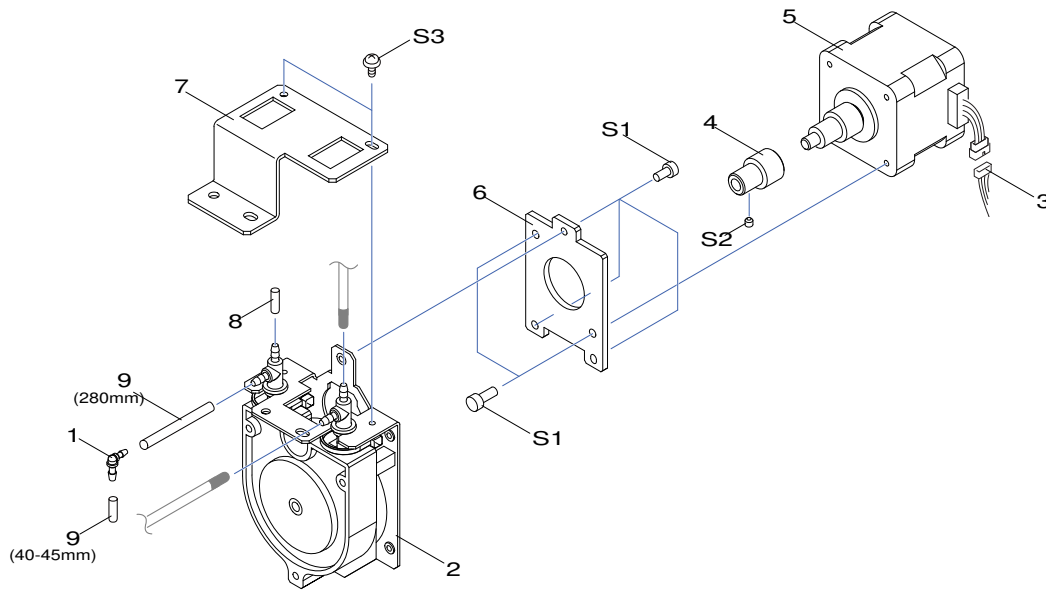
Pos	Code	Description
1	W701406010	ASSY,PANEL BOARD VS-640
1	W702406010	ASSY,PANEL BOARD VS-640I
2	1000010552	CABLE-ASSY,MAINT-COVER SW VS-640I
3	23475212	CABLE-CARD,24P1 600L BB
4	1000012564	KEY, TOP CLEAR GS-24
4	22495102	KEY TOP,CLEAR GX-24
5	1000012563	KEY, TOP WHITE GS-24
5	22495101	KEY TOP,WHITE GX-24
6	1000003029	SHEET,LCD VP-540
7	1000010704	SHEET,PANEL VS-640I
8	1000006790	STAY,PANEL VS-640
S1	31289109AS	CUPSCREW SET,M3*4 NI 100 PCS
S2	31019149	SCREW SET,BINDING M2.3*8 3CBC 100PCS

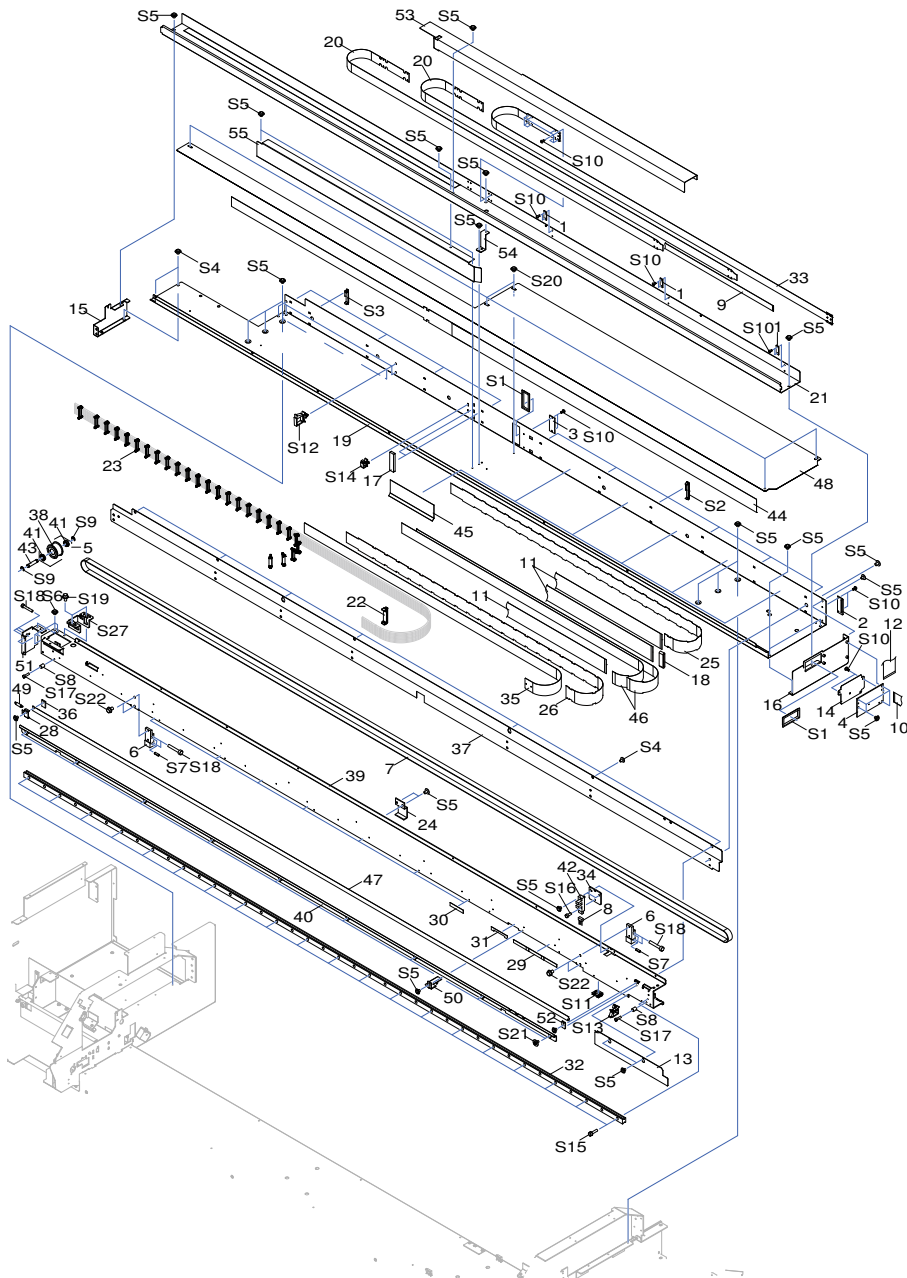




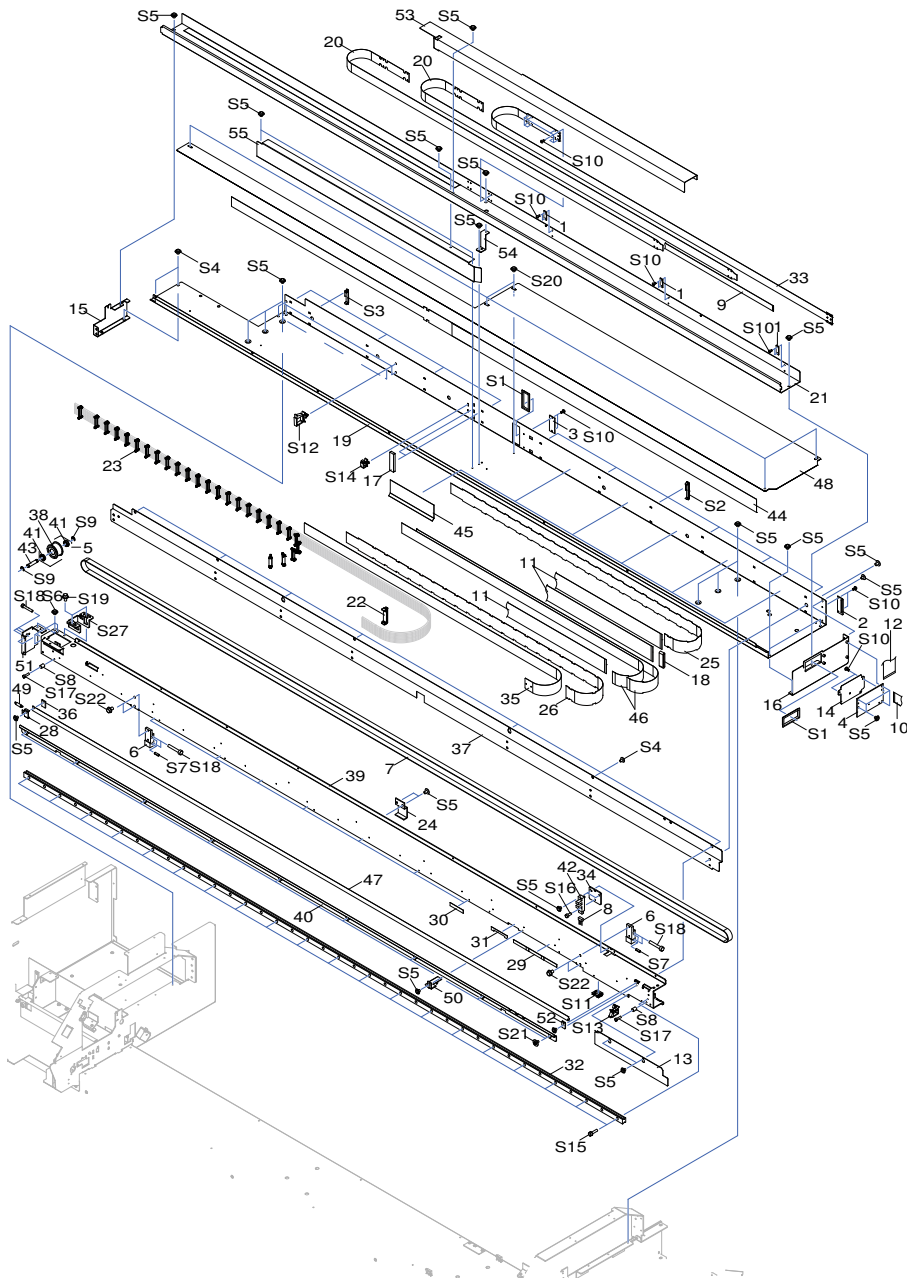
Pos	Code	Description
1	1000015672	ASSY,PINCHROLL C SG-540
1	6000005176	ASSY,PINCHROLL C VG-640
1	6700460300	ASSY,PINCHROLL C VP-540
2	1000015670	ASSY,PINCHROLL R SG-540
2	1000015671	ASSY,PINCHROLL L SG-540
2	6000005177	ASSY,PINCHROLL R VG-640
2	6000005178	ASSY,PINCHROLL L VG-640
2	6700460210	ASSY,PINCHROLL L VP-540
2	6700460220	ASSY,PINCHROLL R VP-540
3	1000020065	COLLAR,P-ROLLER PNC-960TH
3	21745101	COLLAR,P-ROLLER PNC-960
4	22195153	FRAME,PINCH ROLL SP-540V
5	1000002973	LABEL,PINCH SENSOR VP-540 #LA979
6	22145416	LEVER,P-ROLLER PNC-960
7	11539104	PIN 3*35 SUS M6
8	1000020050	SHAFT,1 GRX-400TH
8	22145831	PIN NO.1 (214-831)
9	1000020051	SHAFT,2 GRX-400TH
9	22145832	PIN NO.2 214-832
10	22055264	PLATE,GUIDE P PNC-960
11	21565103	P-ROLLER FD16S4(B10) TYPE2
11	6000003823	ASSY,P-ROLLER FD16S4(B10) TYPE 2_01
12	21565102	P-ROLLER TD16S4(B10) TYPE2
12	6000003824	ASSY,P-ROLLER TD16S4(B10) TYPE 2_01
13	22625101	SPRING,PINCH LEFT SP-300
14	1000002648	SPRING,PINCH LEFT VP-540
15	22625102	SPRING,PINCH RIGHT SP-300
16	1000002649	SPRING,PINCH RIGHT VP-540
17	22715461	STAY,PINCH CENTER SP-540V
18	1000003028	STAY,PINCH SENSOR VP-540
S1	31149702AS	RING SET,E-RING ETW-3 100 PCS.
S2	31019702AS	SCREW SET,BIND P-TIGHT M3*6 3C 100P
S3	31249211AS	WASHER SET,PLAIN 4.3*7*0.5 NI 100P
S4	31249303	WASHER SET,SPRING M3 NI 100 PCS

Pos	Code	Description
1	100008314	ADAPTER,JOINT 2L MCL-1
2	6700319010	ASSY,PUMP SUB XC-540
3	1000010561	CABLE-ASSY,PUMP MOTOR VS-640I
4	1000006751	GEAR,S14S5(B12)
5	1000018516	MOTOR,103-593-1041
5	22435106	MOTOR,103-593-1041
6	1000006750	PLATE,P-MOTOR VS-640
6	1000015185	PLATE,P-MOTOR VS-640
7	1000006773	STAY,PUMP ASSY VS-640
8	1000002019	STOPPER,PUMP XC-540
9	1000014965	TUBE,CUT SJ-RDG 2.2*3.2 500MM (MAX3)
S1	31049142AS	SCREW SET,CAP M3*6 NI MEC 20 PCS
S2	31199701AS	SCREW SET,SET WP M3*3 NI 20 PCS
S3	31289109AS	CUPSCREW SET,M3*4 NI 100 PCS

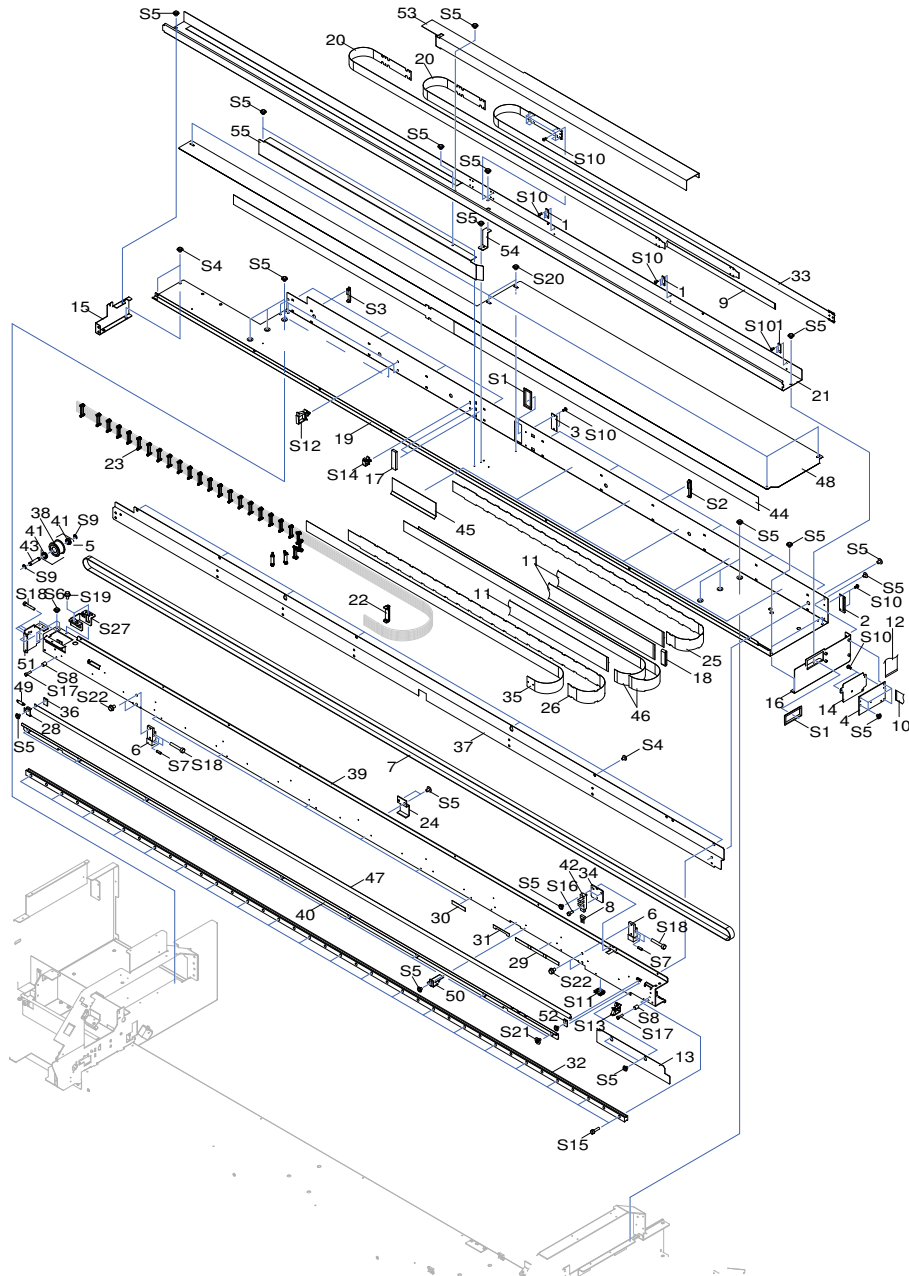




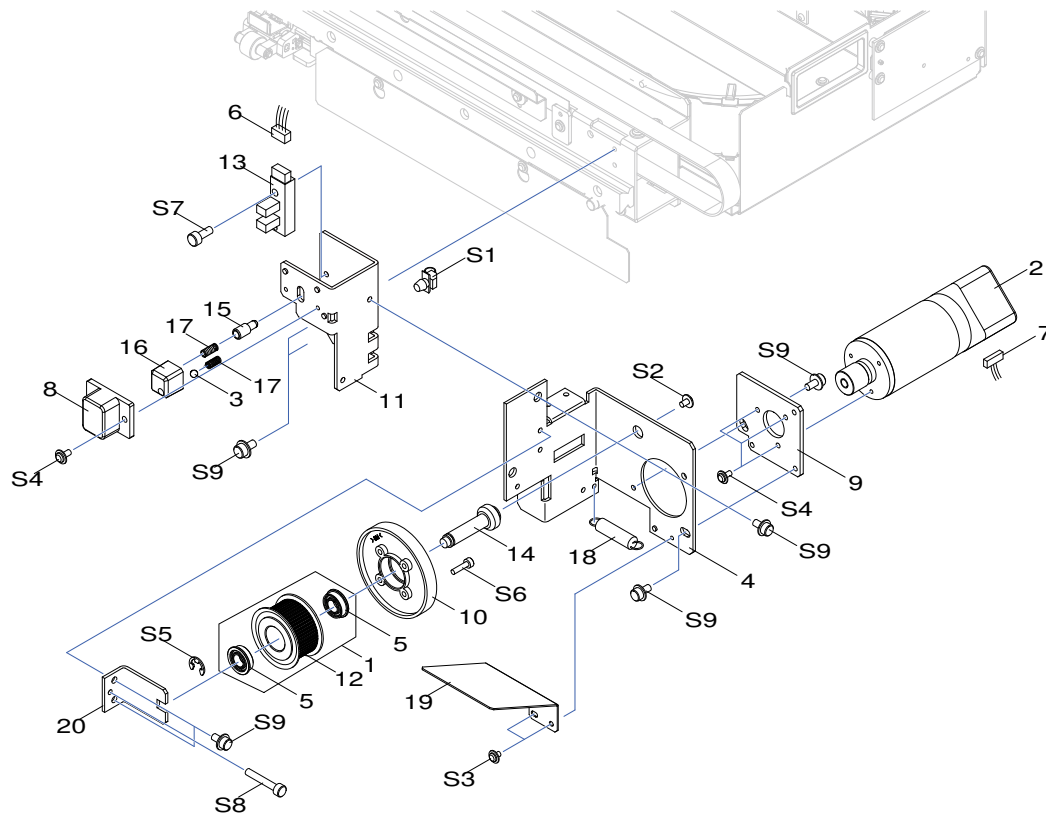
Pos	Code	Description
1	W701406090	ASSY,FLEX 1 VS-640
1	W702406090	ASSY,FLEX 1 VS-640I
2	1000018833	COVER,PRINT CABLE FFC VS-640I
2	W7014060A0	ASSY,FLEX 2 VS-640
2	W7024060A0	ASSY,FLEX 2 VS-640I
3	W7014060B0	ASSY,FLEX 3 VS-640
3	W7024060B0	ASSY,FLEX 3 VS-640I
4	W701406080	ASSY,JUNCTION BOARD VS-640
4	W702406080	ASSY,JUNCTION BOARD VS-640I
5	6700469030	ASSY,PULLEY VP-540
6	1000002589	BASE,RAIL VP-540
7	1000010645	BELT,100S2M1554LW-C
8	1000010558	CABLE-ASSY,CUT-CAR ORG VS-640I
9	1000007175	CABLE-CARD,15P1 2240L BB HIGH-V
10	1000007176	CABLE-CARD,26P1 1770L BB HIGH-V
11	1000007177	CABLE-CARD,36P1 2370L BB HIGH-V
12	1000006704	CABLE-CARD,40P1 400L BB HIGH-V
13	1000006757	COVER,INNER VS-640
14	1000006801	COVER,JUNCTION BOARD VS-640
14	1000019100	COVER,JUNCTIONBOARD VS-640TH
15	1000010625	COVER,RAIL SIDE L VS-640I
16	1000010576	COVER,RAIL SIDE VS-640I
17	1000010620	CUSHION,TUBE GUIDE VS-640I
18	1000011050	FILTER(E),FRCN40-12-1.7-K
19	1000010656	FRAME,SUPORT RAIL VS-300I
20	1000002667	GUIDE,CABLE FLEX-CUT VP-300
21	1000010657	GUIDE,CUT CABLE VS-300I
22	1000006514	GUIDE,TUBE 10 VS-640
23	1000010114	GUIDE,TUBE XF-640
25	1000010662	HOLDER,CABLE VS-300I
26	1000010663	HOLDER,CABLE F VS-300I
27	1000001555	HOLDER,IDLE PULLEY XC-540
28	21655131	HOLDER,LINEAR SCALE CJ-70
29	1000002971	LABEL,G-ROLLER 170 VP-540 #LA978
30	1000002970	LABEL,G-ROLLER 50 VP-540 #LA977
31	1000002685	LABEL,PINCH ROLL VP-540#LA968
32	1000010669	L-BEARING,SSR15XW1GGE/W2GE+1440L(B)
33	1000002674	PLATE,CABLE CUT VP-300
34	1000002581	PLATE,CUT ORIGIN VP-540
35	1000007221	PLATE,HOLDER CABLE VS-420



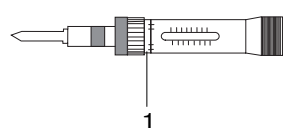
Pos	Code	Description
36	22055316	PLATE,LINEAR SCALE CJ-70
37	1000010655	PLATE,RAIL REAR VS-300I
38	1000001904	PULLEY,T55P2S16(B21C26)
39	1000010653	RAIL,GUIDE VS-300I
40	1000007248	RAIL,LINEAR SCALE VS-300
41	22175815	BEARING F8-16ZZ
42	1000006689	SENSOR-INTERRUPTER,EE-SX4009-P1
43	1000001479	SHAFT,IDLE PULLEY XC-540
44	1000010660	SHEET,CHOKE CABLE VS-300I
45	1000003089	SHEET,FRAME SUPPORT RAIL VP-540
46	1000010664	SHEET,HOLDER CABLE VS-300I
47	1000002665	SHEET,LINEAR SCALE VP-300
48	1000010654	SHEET,TUBE GUIDE VS-300I
49	22175122	SPRING,BACK UP PNC-960
50	22715469	STAY,HOLD SHAFT SQUARE SP-540V
51	1000002597	STAY,RAILGUIDE L VP-540
52	22135441	STOPPER,LINEAR SCALE FJ-540
53	1000010659	SUPPORT,CUT CABLE VS-300I
54	1000002617	SUPPORT,GUIDE CABLE VP-540
55	1000010658	SUPPORT,GUIDE CABLE VS-300I
S1	31029106	BUSH,SQUARE SB-6025
S2	3000000033	CLAMP,WIRE PLESS RFC-45V0
S3	3000000030	CLAMP,WIRE PRESS RFC-33V0
S4	31289111AS	CUPSCREW SET, M4*6 NI 100 PCS.
S5	31289109AS	CUPSCREW SET,M3*4 NI 100 PCS
S6	31289102AS	CUPSCREW SET,M3*6 NI 50 PCS.
S7	31119904	PIN,SPRING 2.5*8 SUS STRAIGHT 50 PCS
S8	31129102	PIPE SET,POLYCA 4*8*10 20PCS
S9	31149704AS	RING SET,E-RING ETW-6 SUS 100 PCS
S10	31299102AS	RIVET SET,NYLON P2655B 20 PCS.
S11	31409702	SADDLE SET,LOCKING WIRE LES-1010 20P
S12	31409811AS	SADDLE SET,LOCKING WIRE LWS-1211Z 20P
S13	3000000560	SADDLE,LOCKING WIRE LWS-0711Z_TH
S13	31409801AS	SADDLE,LOCKING WIRE LWS-0711Z 20P
S14	3000000081	SADDLE,LOCKING WIRE RLWT-0.5V0 20pcs.
S15	31049155AS	SCREW SET,CAP M3*12 BC+PW 20 PCS.
S16	31049173AS	SCREW SET,CAP M4*10 NI 50 PCS.
S17	31049174AS	SCREW SET,CAP M4*15 NI 20 PCS.
S18	3000000423	CAP-SCREW,4*25 3CBC 100PCS
S18	31049137AS	SCREW SET,CAP M4*25 3CBC 20 PCS



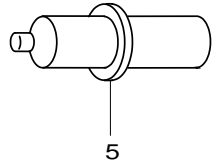
Pos	Code	Description
S19	31049169AS	SCREW SET,CAP M4*8 3CBC+PW 20PCS
S20	31089110AS	SCREW SET,PAN M3*4 NI+PW 100 PCS
S21	31239103AS	SCREW SET,W-SEMS M3*8 NI+PW 50 PCS
S22	31069104	SCREW,CAP M4*6+FL NI



Pos	Code	Description
1	6700469030	ASSY,PULLEY VP-540
2	6000002594	ASSY,SCAN MOTOR RE-640_01
2	6701979020	ASSY,SCAN MOTOR RE-640
3	11869103	BALL,4MM
4	1000010582	BASE,SCAN DRIVE VS-640I
5	22175815	BEARING F8-16ZZ
6	1000010557	CABLE-ASSY,PRI-CAR ORG VS-640I
7	1000010555	CABLE-ASSY,SCAN MOTOR VS-640I
8	1000016171	CASE,LOCK CJ-70_02
8	21365103	CASE,LOCK CJ-70
9	1000010585	FLANGE,MOTOR SCAN VS-640I
10	1000001905	GEAR,H187S20(B8)
11	1000009284	LOCK,STAY RE-640
12	1000001904	PULLEY,T55P2S16(B21C26)
13	1000006689	SENSOR-INTERRUPTER,EE-SX4009-P1
14	1000001480	SHAFT,DRIVE PULLEY XC-540
15	1000012944	SHAFT,LOCK CJ-70
15	22295117	SHAFT,LOCK CJ-70
16	1000016170	SLIDER,LOCK CJ-70_02
16	22185101	SLIDER,LOCK CJ-70
17	22175134	SPRING,A CJ-70
18	22175157	SPRING,C P-ROLLER CM-500
19	1000010583	STAY,OIL GUARD VS-640I
19	1000020038	STAY,OIL GUARD VS-640ITH
20	1000010584	STAY,SHAFT DRIVE PULLEY VS-640I
20	1000020039	STAY,SHAFT DRIVE PULLEY VS-640ITH
S1	31329501AS	CLAMP SET,PUSH MOUNT RT30SSF5 20P
S2	31289111AS	CUPSCREW SET, M4*6 NI 100 PCS.
S3	31289109AS	CUPSCREW SET,M3*4 NI 100 PCS
S4	31289102AS	CUPSCREW SET,M3*6 NI 50 PCS.
S5	31149704AS	RING SET,E-RING ETW-6 SUS 100 PCS
S6	31049171AS	SCREW SET,CAP M3*12 NI 50 PCS.
S7	31049173AS	SCREW SET,CAP M4*10 NI 50 PCS.
S8	3000000423	CAP-SCREW,4*25 3CBC 100PCS
S8	31049137AS	SCREW SET,CAP M4*25 3CBC 20 PCS
S9	31049169AS	SCREW SET,CAP M4*8 3CBC+PW 20PCS



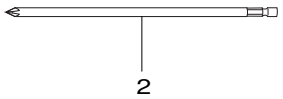
1



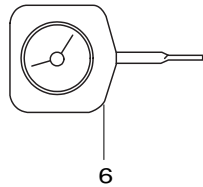
5



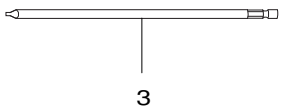
9



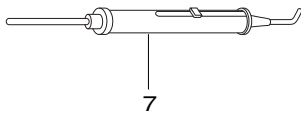
2



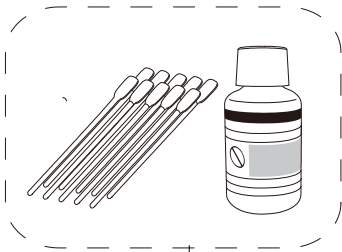
6



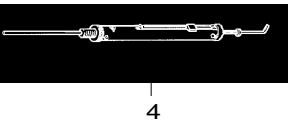
3



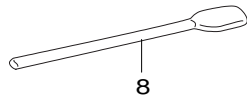
7



10

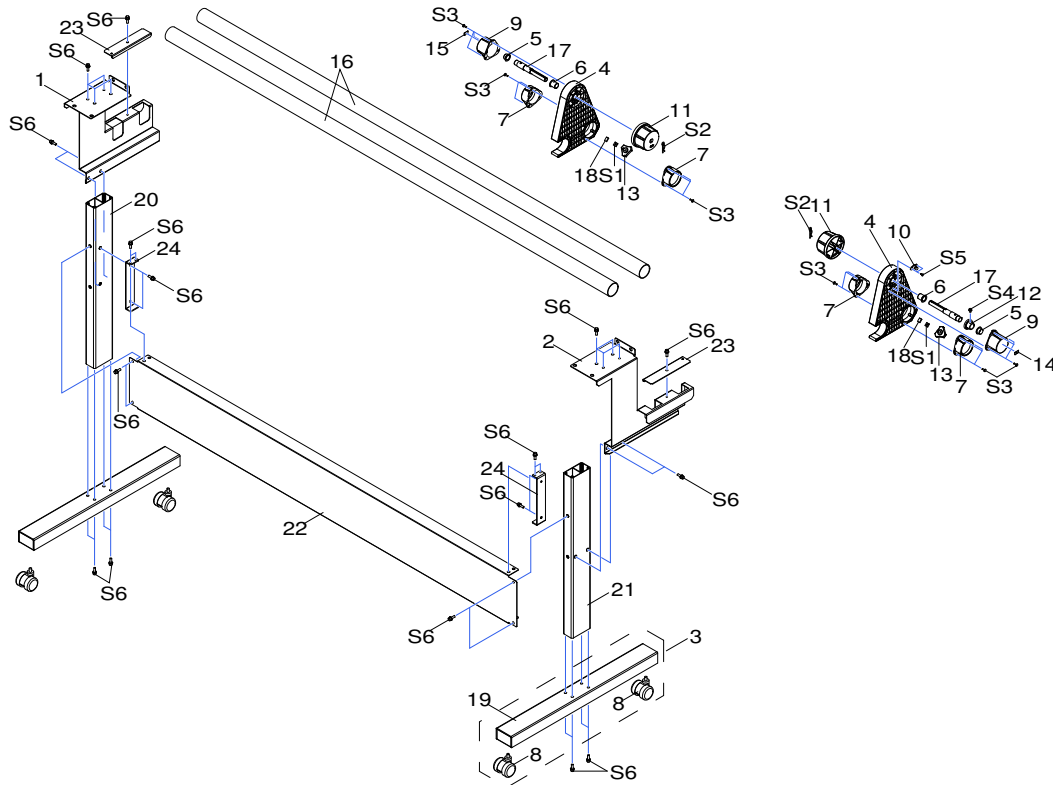


4

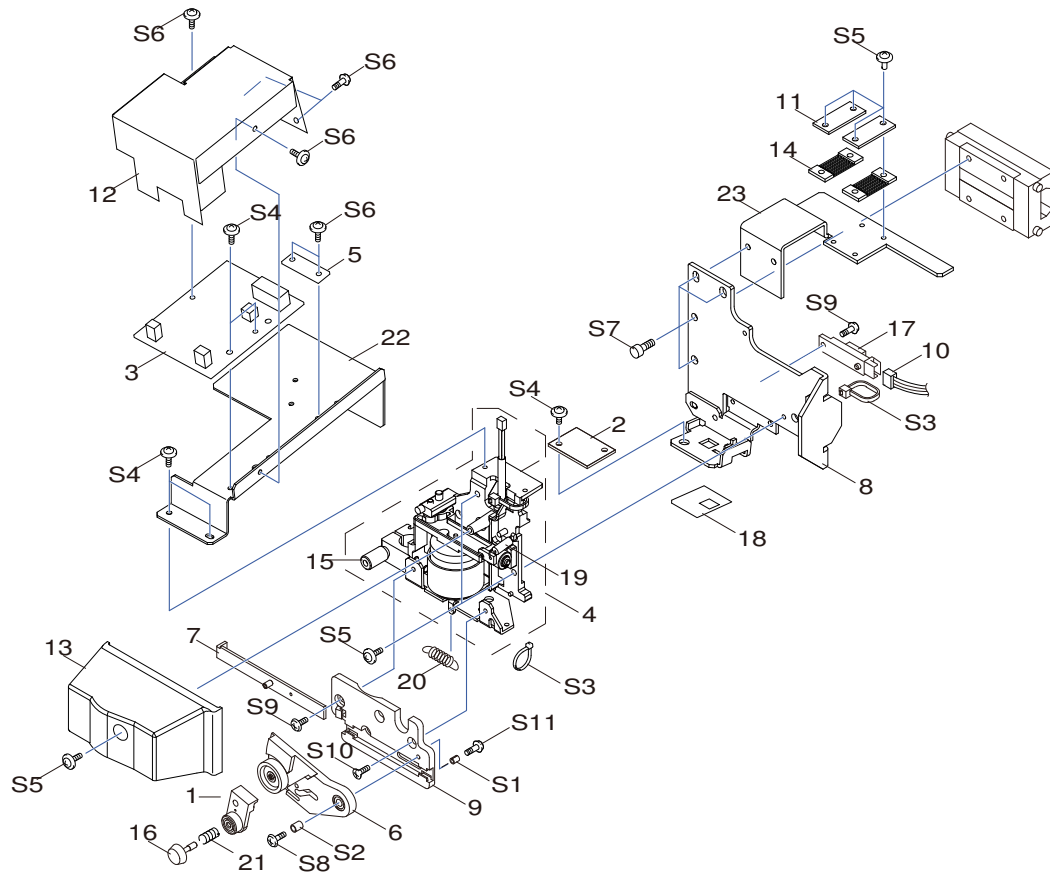


8

Pos	Code	Description
1	ST-056	TORQUE DRIVER N6
2	1000005463	TOOL,BIT PHILLIPS NO.1 L150MM ST-107
3	1000006902	TOOL,BIT HEXAGONAL ST-118
4	ST-002	TENSION GAUGE 300GF/300CN
5	ST-006	WHITE DUMMY PEN
6	ST-013	DIAL TENSION METER DT-100
7	ST-001	TENSION GAUGE 2000GF/2000CN
8	1000003138	SET,CLEANER STICK TX712A 10PCS.
8	1000007172	CLEANER SET,STICK TX712A 100PCS
8	ST-037	CLEAN STICK TX712A
9	21755107	CLEANING LIQUID(SL) 500ML
9	6702419050	CLEANING LIQUID(ESL5) 500ML
10	22085118	KIT,CLEANING(SL)
10	6701409310	KIT,CLEANING(ESL5) 100ML

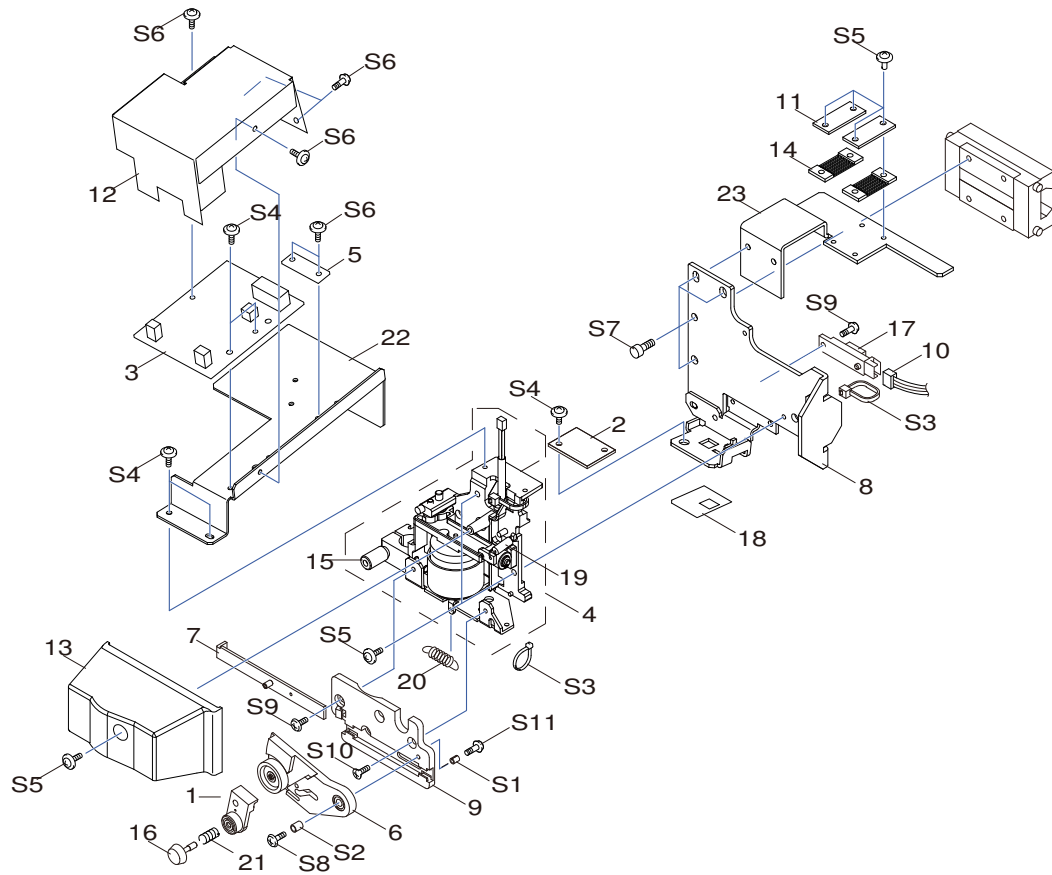


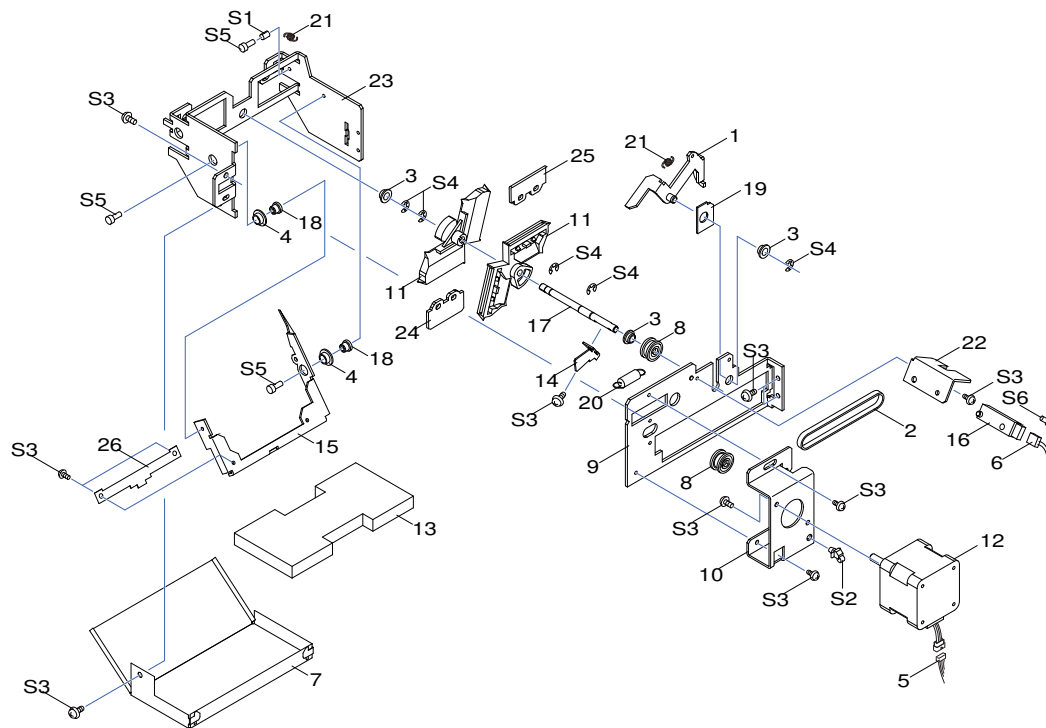
Pos	Code	Description
1	1000006779	ARM,L VS-640
2	1000006778	ARM,R VS-640
3	1000006533	ASSY,BASE STAND VS-640
4	1000004718	BASE,FEEDER RS-540
5	1000001068	BUSH,80F-1610
6	1000001352	BUSH,80F-1620
6	1000018502	BUSH,80F-1620
7	1000004720	BUSH,FEEDER R RS-540
8	12329505	CASTER,BWS-50BN
9	1000004719	COVER,FEEDER RS-540
10	1000004734	DAMPER,FRT-C2-301G1
11	1000001584	FLANGE,GUIDE 3 XC-540
12	1000004722	GEAR,S32(B5M0.8) RS-540
13	1000003545	KNOB,BOLT 117-10313
14	1000001090	LABEL,CLAMP L AJ-1000#LA913
15	1000001089	LABEL,CLAMP R AJ-1000#LA912
16	1000007251	PIPE,FEEDER SHAFT VS-300
17	1000004721	SHAFT,FEEDER RS-540
18	1000005480	SPACER,BASE FEEDER RS-540
19	1000007016	STAND,BASE VS-640
20	1000010589	STAND,LEG L VS-640I
21	1000010588	STAND,LEG R VS-640I
22	1000007243	STAY,STAND VS-300
23	1000003635	STOPPER,PIPE FEEDER XJ-740
24	1000010511	SUPPORT,STAY STAND RE-640
S1	3000000110	NUT SET,SQUARE M6*11*3 3C 50PCS
S2	31119701	PIN,SNAP M14 SUS
S3	3000000124	SCREW SET,BIND P-TIGHT4*12 3CBC 50PCS
S4	31049169AS	SCREW SET,CAP M4*8 3CBC+PW 20PCS
S5	31019703	SCREW,BINDING P-TIGHT M3*8 3C 100P
S6	31049157	SCREW,CAP M6*20 3CBC+PW+SW



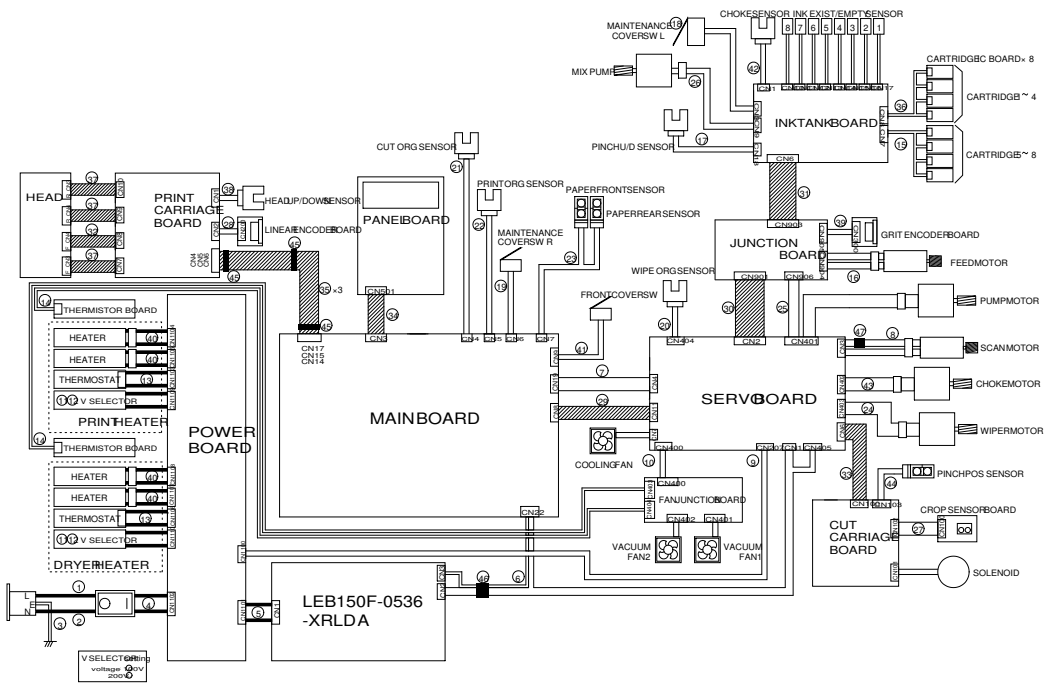
Pos	Code	Description
1	22805292	ASSY,CLAMP BLADE SV CM-500
2	W701406050	ASSY,CROP SENS VS-640
2	W702406050	ASSY,CROP SENS BOARD VS-640I
3	W702407020	ASSY,CUT CARRIAGE BOARD VS-640I
4	6702400320	ASSY,CUT CARRIAGE SUB VS-640I
4	6702400321	ASSY,CUT CARRIAGE SUB VS-640I_01
5	W701406090	ASSY,FLEX 1 VS-640
5	W702406090	ASSY,FLEX 1 VS-640I
6	22805291	ASSY,HOLDER BLADE SV CM-500
7	22805287	ASSY,PLATE CAM SLIDE SV CM-500
8	1000006776	BASE,CUT CARRIAGE VS-640
9	7488739000	BASE CUTTER CJ-500
10	1000002185	CABLE-ASSY,PINCH SENSOR VP-540
11	1000020055	COVER,BELT HOLDER EGX-600TH
11	22025646	COVER,BELT HOLDER EGX-600
12	1000002570	COVER,CARRIAGE BOARD VP-540
13	22025269	COVER,CARRIAGE CM-500
14	1000015114	HOLDER,BELT EGX-600_01
14	21655232	HOLDER,BELT EGX-600
15	22285503	NUT,PENHOLDER
16	21495115	SCREW,BLADE SET CM-500
17	15099115	SENSOR-INTERRUPTER GP2A25NJ
18	1000009137	SHEET,FILTER CROP VS-640
19	22175122	SPRING,BACK UP PNC-960
20	1000012947	SPRING,BLADE UP CM-500
20	22175154	SPRING,BLADE UP CM-500
21	1000012948	SPRING,SCREW CM-500
21	22175155	SPRING,SCREW CM-500
22	1000007206	STAY,CUT CARRIAGE BOARD VS-540
23	1000002540	STAY,HOLDER BELT VP-540
S1	31029801AS	BUSH SET,ROLL 2*4 3C100PCS
S2	31029803AS	BUSH SET,ROLL 3*5 3C 20PCS.
S3	31329601AS	CLAMP SET,INSULOK T-18S 100 PCS.
S4	31289109AS	CUPSCREW SET,M3*4 NI 100 PCS
S5	31289102AS	CUPSCREW SET,M3*6 NI 50 PCS.
S6	31299102AS	RIVET SET,NYLON P2655B 20 PCS.
S7	31069104	SCREW,CAP M4*6+FL NI
S8	31019118AS	SCREW SET,BINDING M3*10 3CBC 100PCS
S9	31019116AS	SCREW SET,BINDING M3*6 3CBC 100 PCS
S10	31169103AS	SCREW SET,FLAT M3*6 3CBC 100 PCS

Pos Code	Description
S11 31229103AS	SCREW SET, TRUSS M2*6 NI 100 PCS





Pos	Code	Description
1	1000009369	ARM,WIPER CAM VS-640_01
2	1000006725	BELT,172P2M4-530
3	1000000796	BUSH,80F-0503
3	1000018501	BUSH,80F-0503
4	1000018512	BUSH,80F-0603
4	12159573	BUSH,80F-0603
5	1000002182	CABLE-ASSY,WIPER MOTOR VP-540
6	1000006693	CABLE-ASSY,WIPER SENS VS-640
7	1000006754	COVER,WIPE UNDER VS-640
8	22565406	DRIVE PULLEY
9	1000009368	FRAME,WIPER VS-640_01
10	1000006723	HOLDER,WIPE MOTOR VS-640
10	1000019620	HOLDER,WIPE MOTOR VS-640TH
11	1000006519	HOLDER,WIPER VS-640
12	1000018516	MOTOR,103-593-1041
12	22435106	MOTOR,103-593-1041
13	1000006755	PAD,WIPE VS-640
14	1000006726	PLATE,SENS WIPER VS-640
15	1000006738	PLATE,WIPE SCRAPER VS-640
15	1000014291	PLATE,WIPE SCRAPER VS-640
16	1000006689	SENSOR-INTERRUPTER,EE-SX4009-P1
17	1000006735	SHAFT,WIPER VS-640
17	1000019621	SHAFT,WIPER VS-640TH
18	22165178	SPACER,6FAI FJ-50
19	1000009370	SPACER,ARM WIPER VS-640_01
20	22175521	SPRING,PINCH 930 FJ-540
21	1000006518	SPRING,SCRAPER VS-640
21	1000015184	SPRING,SCRAPER VS-640
22	1000006724	STAY,WIPE SENSOR VS-640
23	1000006720	STAY,WIPER SCRAPER VS-640
24	1000006736	WIPER,HEAD FELT VS-640
25	1000006517	WIPER,HEAD VS-640
26	1000006737	WIPER,SCRAPER VS-640
S1	31029803AS	BUSH SET,ROLL 3*5 3C 20PCS.
S2	31329501AS	CLAMP SET,PUSH MOUNT RT30SSF5 20P
S3	31289109AS	CUPSCREW SET,M3*4 NI 100 PCS
S4	31149703AS	RING SET,E-RING ETW-4 100 PCS.
S5	31049170AS	SCREW SET,CAP M3*8 NI 50 PCS.
S6	31049173AS	SCREW SET,CAP M4*10 NI 50 PCS.



Pos	Code	Description
1	1000002189	CABLE-ASSY,JUNBI A VP-540
1	1000012813	CABLE-ASSY,POWER-ACIN-L VS-640I
2	1000002190	CABLE-ASSY,JUNBI B VP-540
2	1000012812	CABLE-ASSY,POWER-ACIN-N VS-640I
3	1000012811	CABLE-ASSY,POWER-ACIN-E VS-640I
3	23415268	CABLE-ASSY AC GROUND GREEN SP-540
4	23415116	CABLE-ASSY,JUNBI D SP-300
5	1000002173	CABLE-ASSY,JUNBI E VP-540
6	1000004961	CABLE-ASSY,POWER SERVO RS-540
7	23415117	CABLE-ASSY,POWER MAIN SP-300
8	1000010555	CABLE-ASSY,SCAN MOTOR VS-640I
9	1000002180	CABLE-ASSY,RELAY JUNCTION VP-540
10	1000002168	CABLE-ASSY,FAN VP-540
11	1000002044	CABLE-ASSY,117V SELECTOR XC-540
12	1000002043	CABLE-ASSY,230V SELECTOR XC-540
13	1000010554	CABLE-ASSY,THERMOSTAT VS-640I
14	1000002181	CABLE-ASSY,THERMISTOR VP-540
15	1000010562	CABLE-ASSY,INK IC 1-4 VS-640I
16	1000010551	CABLE-ASSY,FEED MOTOR VS-640I
17	1000006701	CABLE-ASSY,PINCH UD SENS VS-640
18	1000006695	CABLE-ASSY,M-COVER L VS-640
19	1000010552	CABLE-ASSY,MAINT-COVER SW VS-640I
20	1000006693	CABLE-ASSY,WIPER SENS VS-640
21	1000010558	CABLE-ASSY,CUT-CAR ORG VS-640I
22	1000010557	CABLE-ASSY,PRI-CAR ORG VS-640I
23	1000010553	CABLE-ASSY,PAPER SENSOR VS-640I
23	1000020252	CABLE-ASSY,PAPER SENSOR VS-640I
24	1000002182	CABLE-ASSY,WIPER MOTOR VP-540
25	1000010561	CABLE-ASSY,PUMP MOTOR VS-640I
26	1000006700	CABLE-ASSY,MIX PUMP VS-640
29	23475197	CABLE CARD 25P1 105L BB FJ-540
30	1000006704	CABLE-CARD,40P1 400L BB HIGH-V
31	1000007176	CABLE-CARD,26P1 1770L BB HIGH-V
32	1000006703	CABLE-CARD,29P1 276L BBR HIGH-V
33	1000007175	CABLE-CARD,15P1 2240L BB HIGH-V
34	23475212	CABLE-CARD,24P1 600L BB
35	1000007177	CABLE-CARD,36P1 2370L BB HIGH-V
36	1000010563	CABLE-ASSY,INK IC 5-8 VS-640I
37	1000006702	CABLE-CARD,29P1 256L BB HIGH-V
38	1000006692	CABLE-ASSY,HEAD UD SENS VS-640

Pos	Code	Description
39	1000010559	CABLE-ASSY,GRIT ENC VS-640I
40	1000002183	CABLE-ASSY,HEATER VP-540
41	1000010560	CABLE-ASSY,F-COVER R VS-640I
42	1000006907	CABLE-ASSY,VALVE SENS VS-640
43	1000010564	CABLE-ASSY,CHOKE MOTOR VS-640I
43	1000010567	CABLE-ASSY,CHOKE MOTOR VS-540I
43	1000010568	CABLE-ASSY,CHOKE MOTOR VS-300I
44	1000002185	CABLE-ASSY,PINCH SENSOR VP-540
45	1000004149	FILTER(E),FRC-40-12-1.7-013
46	12399353	FILTER(E) TFT-081813N F-540
47	1000003084	FILTER(E),SFT-36SN

