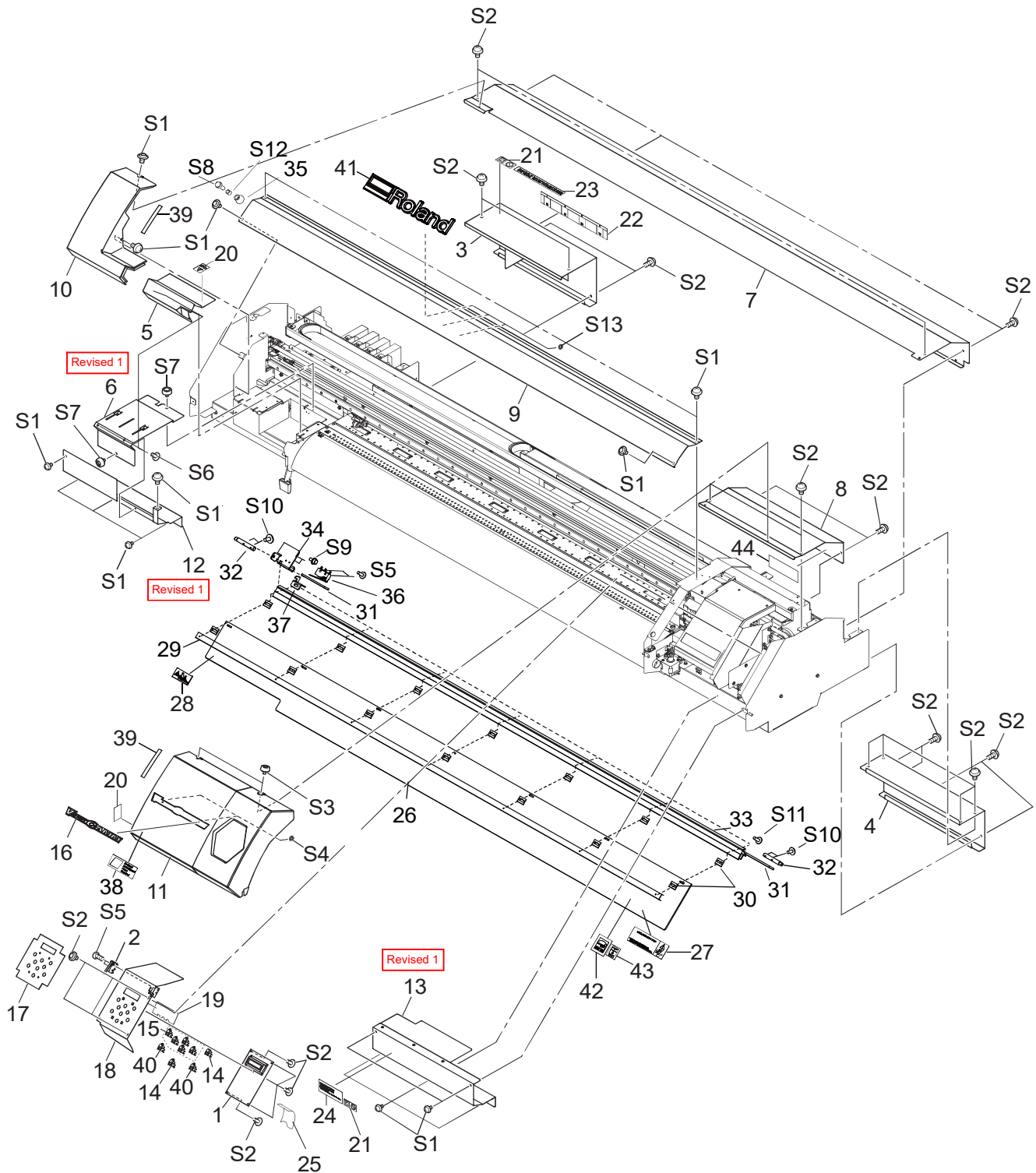


1 Structure & Spare Parts

1-1 COVER



1-1 COVER

PARTS LIST -Main Parts-

	Parts No.	Parts Name	qt.
1	W700461210	ASSY,PANEL BOARD VP-540	1
2	23505834	CABLE-ASSY MAINT-COVER SW FJ-540	1
3	1000002608	COVER,INK CARTRIDGE VP-540	1
4	1000005165	COVER,CHASSIS RS-540	1
5	1000004738	COVER,MAINTENANCE RS-540	1
6	1000002550	COVER,MAINTENANCE INKHEAD VP-540	1
	1000006236	COVER,MAINTENANCE INKHEAD 2 VP-540I	1
7	1000005561	COVER,RAIL B VP-300I	1
	1000005552	COVER,RAIL B VP-540I	1
8	1000005553	COVER,RAIL B-RIGHT VP-540I	1
9	1000005560	COVER,RAIL F VP-300I	1
	1000005551	COVER,RAIL F VP-540I	1
10	1000004737	COVER,SIDE L RS-540	1
11	1000005554	COVER,SIDE R VP-540I	1
12	1000002627	COVER,UNDER L VP-540	1
	1000006239	COVER,UNDER L 2 VP-540I	Revised 1
13	1000002628	COVER,UNDER R VP-540	1
	1000006240	COVER,UNDER R 2 VP-540I	Revised 1
14	22495102	KEY TOP,CLEAR GX-24	2
15	22495101	KEY TOP,WHITE GX-24	5
16	1000005555	LABEL,EMBLEM LOGO VERSACAMM2	1
17	1000005557	SHEET,PANEL VP-540I	1
18	1000002625	STAY,PANEL VP-540	1
19	1000003029	SHEET,LCD VP-540	1
20	22535347	LABEL,CAUTION PINCH-2 #LA423	1
21	1000001099	LABEL,HARMFUL FIRE #LA915	1
22	22535441	LABEL,SET INK SP-300 #LA634	1
23	1000001620	LABEL,USE ECO-SOL MAX#LA924	1
24	22535443	LABEL,CLAMP MEDIA SP-300 #LA636	1
25	23475212	CABLE-CARD,24P1 600L BB	1
26	1000004204	PLATE,COVER F VP-300	1
	1000004197	PLATE,COVER F VP-540	1
27	1000005697	LABEL,CAUTION RS-540#LA1089	1
28	22535286	LABEL,CAUTION COVER #LA265	1
29	1000004203	PLATE,NUT COVER F VP-300	1
	1000004196	PLATE,NUT COVER F VP-540	1
30	21425110	WASHER,COVER FJ-50 (VP-540i)	14
		WASHER,COVER FJ-50 (VP-300i)	10
31	1000004199	PAD, STOPPER VP-540	2
32	1000004198	SHAFT,COVER F VP-540	2
33	1000004202	FRAME,COVER F VP-300	1
	1000004195	FRAME,COVER F VP-540	1
34	1000004361	COVER,INT SW VP-540	1
35	11879107	ABSORBER TK-12	1
36	1000004205	CABLE-ASSY, FRONT-COVER SW VP-540	1
37	1000004200	HOOK,INT SW VP-540	1
38	1000004160	LABEL, REFLECTION XC-540#LA1041	1
39	1000005166	CUSHION,COVER SIDE RS-540	1
40	1000004754	KEY TOP,GREEN RS-540	2
41	1000004741	LABEL,EMBLEM LOGO ROLAND 2	1
42	22535460	LABEL,ENERGY STAR COLOR #LA668	1
43	1000003489	LABEL,MARK ECO#LA1014	1
44	1000003089	SHEET,FRAME SUPPORT RAIL VP-540	3

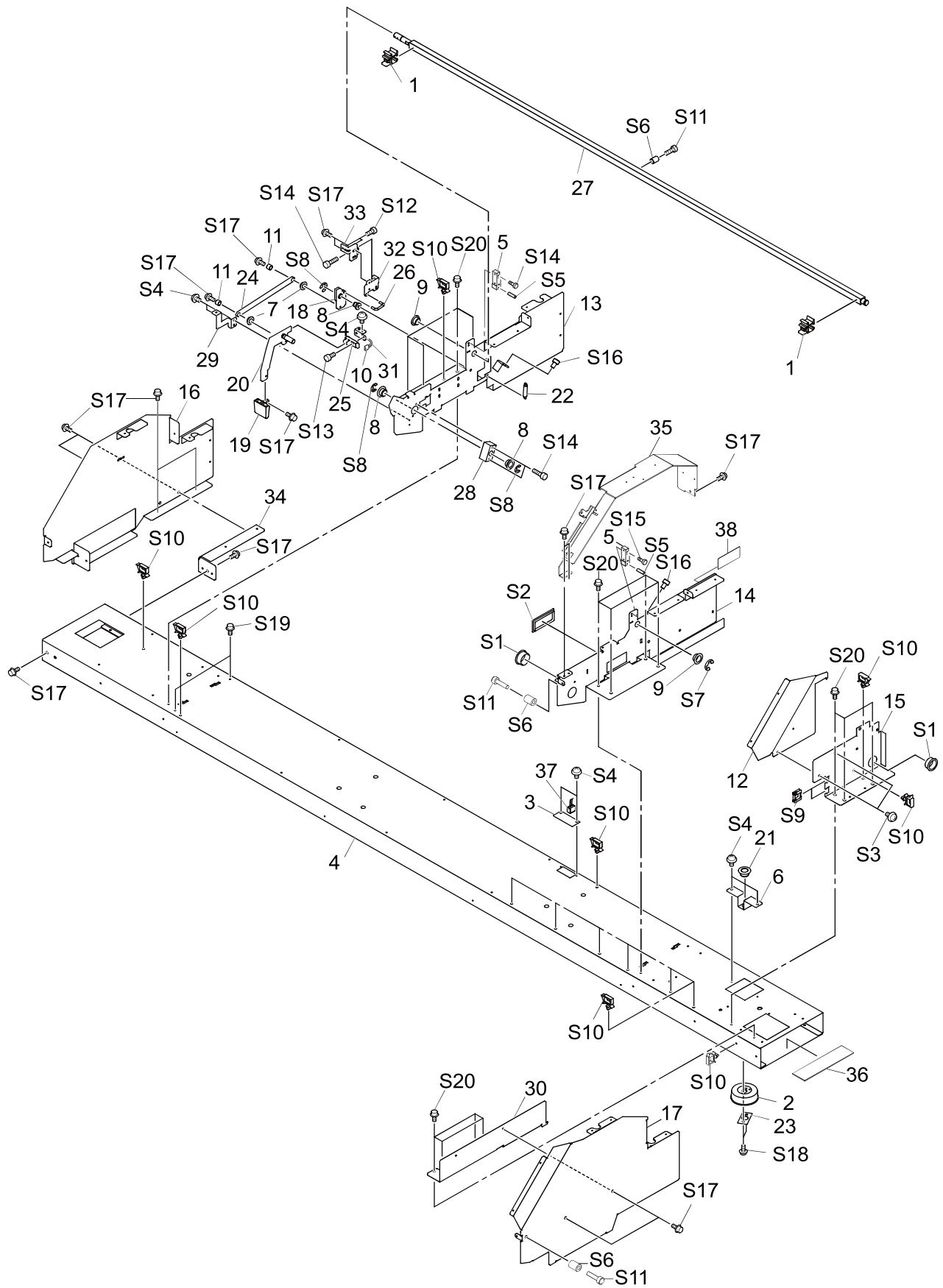
PARTS LIST -Supplemental Parts-

	Parts No.	Parts Name	qt.
S1	31289111AS	CUPSCREW SET, M4*6 NI 100 PCS.	15
S2	31289109AS	CUPSCREW SET,M3*4 NI 100 PCS.	25
S3	31139103	PLAPOINT,FE4*6 WH	2
S4	31149601	RING SET,PUSH-ON CS CSTW-3 100 PCS	5
S5	31019149	SCREW SET,BINDING M2.3*8 3CBC 100PCS	4
S6	31019703	SCREW,BINDING P-TIGHT M3*8 3C 100P	2
S7	31139104	SCREW,PLAPOINT M4*6 BK FE	2
S8	31049107AS	SCREW SET,CAP M3*12 3CBC 20 PCS	1
S9	31049169AS	SCREW SET,CAP M4*8 3CBC+PW 20PCS	2
S10	31289102AS	CUPSCREW SET,M3*6 NI 50 PCS.	4
S11	31289112AS	CUPSCREW SET,M3*10 NI 100 PCS.	7
S12	31029816AS	BUSH SET,ROLL 3*4 100 3C PCS.	1

Revised 1

Revised 1: 1000006236 COVER,MAINTENANCE INKHEAD 2 VP-540I
 1000006239 COVER,UNDER L 2 VP-540I
 Refer to the Service Information : VP540i-003

1-2 FRAME



1-2 FRAME

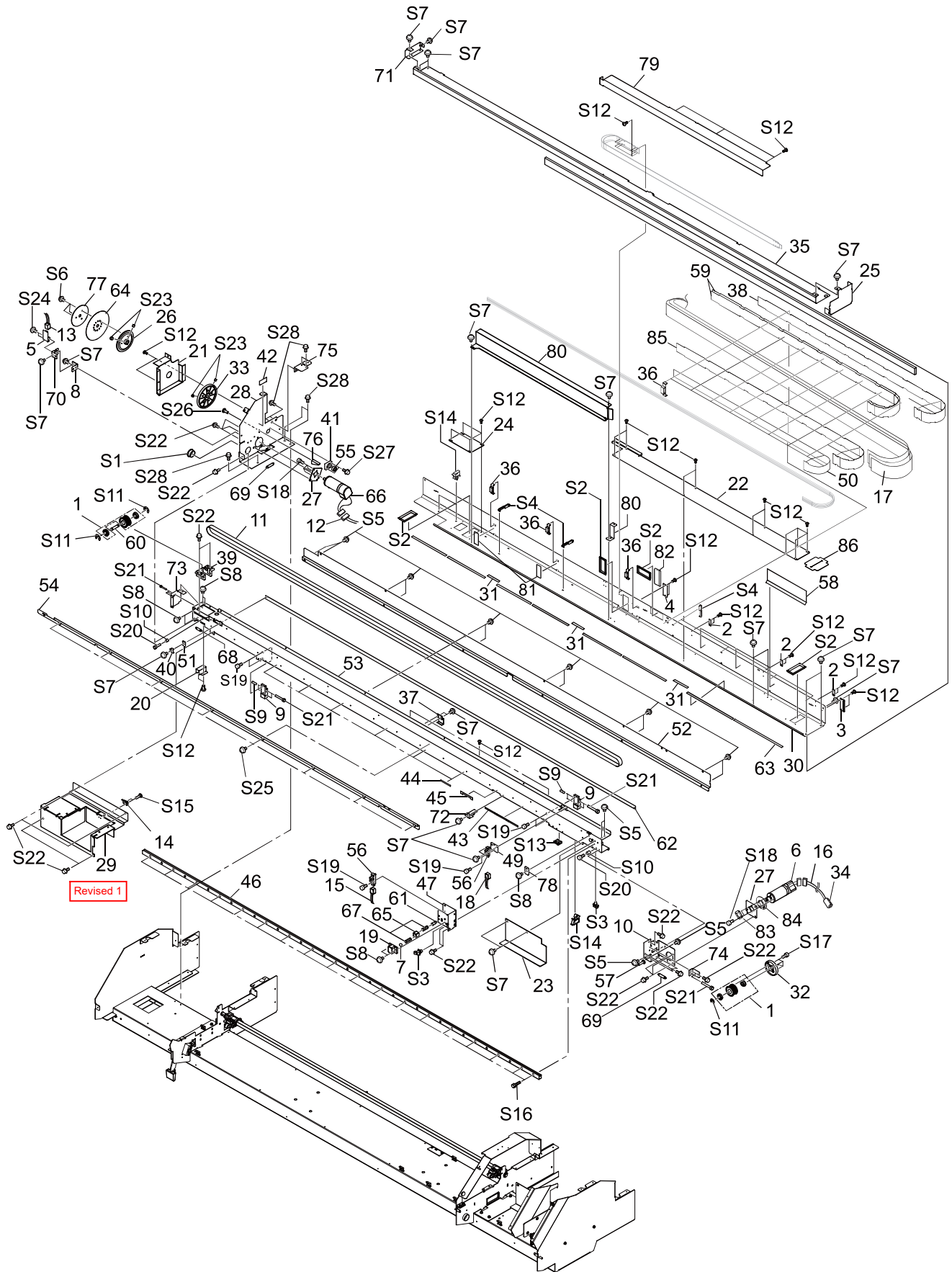
PARTS LIST -Main Parts-

	Parts No.	Parts Name	qt.
1	21905192	ADAPTER,CLAMP MEDIA SP-540V	2
2	7520501000	ASSY,CAP BOTTLE 2 FJ-52	1
3	W700461240	ASSY,FAN JUNCTION BOARD VP-540	1
4	1000002653	BASE,BOTTOM VP-300	1
	1000002527	BASE,BOTTOM VP-540	1
5	1000002589	BASE,RAIL VP-540	2
6	21985140	BRACKET,INK CATCH TANK SP-540V	1
7	12159573	BUSH,80F-0603	2
8	12159563	BUSH,80F-1006	3
9	12159508	BUSH,SHAFT OILES 80F-1206	2
10	1000002176	CABLE-ASSY,PINCH U/D SENSOR VP-540	1
11	21745109	COLLAR,LEVER FJ-540	2
12	1000002630	COVER,SCAN MOTOR VP-540	1
13	1000002528	FRAME,MIDDLE L VP-540	1
14	1000005167	FRAME,MIDDLE R RS-540	1
15	1000002548	FRAME,SCAN MOTOR VP-540	1
16	1000002518	FRAME,SIDE L VP-540	1
17	1000005550	FRAME,SIDE R VP-540I	1
18	22305101	GUIDE,LEVER SP-300	1
19	1000001601	KNOB,XC-540	1
20	1000002556	LEVER,CAM PINCH VP-540	1
21	22155763	OILES BUSH 80F-0806	1
22	22175105	PINCH ROLL SPRING	1
23	22055474	PLATE,INK CATCH TANK FJ-52	1
24	1000002609	PLATE,LEVER LINK VP-540	1
25	15229506	SENSOR INTERRUPTER,GP1A05A5	1
26	22145393	SHAFT,JOINT PNC-960	1
27	22295270	SHAFT,SQUARE SP-300	1
	1000002526	SHAFT,SQUARE VP-540	1
28	22035196	STAND,LEVER SP-300	1
29	1000002629	STAY,COVER UNDER VP-540	1
30	1000002558	STAY,FRAME SIDE R VP-540	1
31	1000002555	STAY,LEVER SENSOR VP-540	1
32	1000002631	STAY,PINCH LEVER ADJUST VP-540	1
33	1000002551	STAY,PINCH LEVER VP-540	1
34	1000002569	STAY,SUPPORT INKCARTRIDGE VP-540	1
35	1000004193	SUPPORT,FRAME R TYPE2 VP-540	1
36	1000003088	PAD,BASE BOTTOM VP-540	1
37	1000002168	CABLE-ASSY,FAN VP-540	1
38	22535444	LABEL,READ MANUAL #LA637	1

PARTS LIST -Supplemental Parts-

	Parts No.	Parts Name	qt.
S1	31029101	BUSH,NB-19	2
S2	31029106	BUSH,SQUARE SB-6025	1
S3	31289111AS	CUPSCREW SET, M4*6 NI 100 PCS.	2
S4	31289109AS	CUPSCREW SET,M3*4 NI 100 PCS.	5
S5	31119904	PIN,SPRING 2.5*8 SUS STRAIGHT 50 PCS	4
S6	31129101	PIPE SET,POLYCA 3*6*8 20PCS	3
S7	31149706AS	RING SET,E-RING ETW-10 SUS 20 PCS	1
S8	31149705	RING SET,E-RING ETW-7 SUS 50PCS	3
S9	31409702	SADDLE SET,LOCKING WIRE LES-1010 20P	2
S10	31409801AS	SADDLE,LOCKING WIRE LWS-0711Z 20P	12
S11	31049171AS	SCREW SET,CAP M3*12 NI 50 PCS.	3
S12	31049142AS	SCREW SET,CAP M3*6 NI MEC 20 PCS	2
S13	31049173AS	SCREW SET,CAP M4*10 NI 50 PCS.	1
S14	31049137AS	SCREW SET,CAP M4*25 3CBC 20 PCS	7
S16	31799107	SCREW SET,CAP M4*6 NI 20PCS	2
S17	31049169AS	SCREW SET,CAP M4*8 3CBC+PW 20PCS	16
S18	31239125AS	SCREW SET,W-SEMS M3*8 SUS 50 PCS.	2
S19	31179106	SCREW,JACK UP SP-540V	2
S20	31069104	SCREW,CAP M4*6+FL NI	15

1-3 DRIVE UNIT



1-3 DRIVE UNIT

PARTS LIST -Main Parts-

	Parts No.	Parts Name	qt.
1	6700469030	ASSY,PULLEY VP-540	2
2	W700461290	ASSY,FLEX1 VP-540	3
3	W7004612A0	ASSY,FLEX2 VP-540	1
4	W7004612B0	ASSY,FLEX3 VP-540	1
5	W700461260	ASSY,GRIT ENCODER BOARD VP-540	1
6	6700469020	ASSY,SCAN MOTOR VP-540	1
7	11869103	BALL,4MM	1
8	1000002605	BASE,G-ENCODER SENSOR VP-540	1
9	1000002589	BASE,RAIL VP-540	2
10	1000002533	BASE,SCAN DRIVE VP-540	1
11	1000002671	BELT,100S2M1539LW-C	1
	1000002547	BELT,150S2M2153LW-C	1
12	23415124	CABLE-ASSY,G-MOTOR SP-300	1
13	1000002169	CABLE-ASSY,GRIT ENCODER VP-540	1
14	23415114	CABLE-ASSY,MAINT-COVER SW SP-300	1
15	1000002178	CABLE-ASSY,PRI-CAR ORG VP-540	1
16	1000002188	CABLE-ASSY,SCAN MOTOR VP-540	1
17	23475213	CABLE-CARD,36P1 2000L BB (VP-300i)	3
	23475240	CABLE-CARD,36P1 2670L BB HIGH-V (VP-540i)	3
18	1000002167	CABLE-ASSY,CUT-CAR ORG VP-540	1
19	21365103	CASE,LOCK CJ-70	1
20	1000002646	COVER,ENCODER VP-540	1
21	1000002592	COVER,FEED GEAR VP-540	1
22	1000002711	COVER,INK CARTRIDGE FLEX VP-300	1
	1000002708	COVER,INK CARTRIDGE FLEX VP-540	1
23	1000002647	COVER,INNER VP-540	1
24	1000003037	COVER,JUNCTION BOARD VP-540	1
25	1000002710	COVER,RAIL SIDE VP-540	1
26	1000002593	FLANGE,GRIT-ENCORDER VP-540	1
27	1000003823	FLANGE,MOTOR SCAN VP-540	1
28	1000002552	FRAME,FEED MOTOR VP-540	1
29	1000002549	FRAME,SUPPORT AUTO CUTTER VP-540	1
	1000006244	FRAME,SUPPORT AUTO CUTTER 2 VP-540I	1
30	1000005176	FRAME,SUPPORT RAIL RS-540	1
	1000005565	FRAME,SUPPORT RAIL VP-300I	1
31	1000003086	FILTER(E),RAIL SHIELD VP-540	3
32	1000001905	GEAR,H187S20(B8)	1
33	21685128	GEAR,H300 S10(B6C16POM)	1
34	1000003084	FILTER(E),SFT-36SN	1
35	1000005566	GUIDE,CUT CABLE VP-300I	1
	1000005503	GUIDE,CUT CABLE VP-540_01	1
36	1000003293	GUIDE,TUBE TYPE3 VP-540 (VP-540i)	20
		GUIDE,TUBE TYPE3 VP-540 (VP-300i)	13
37	1000002603	HOLDER,BACKUP SHAFTSQUARE VP-540	1
38	1000005174	HOLDER,CABLE RS-540	1
	1000005563	HOLDER,CABLE VP-300I	1
39	1000001555	HOLDER,IDLE PULLEY XC-540	1
40	21655131	HOLDER,LINEAR SCALE CJ-70	1
41	22115121	HOUSING,R-BEARING FRAME FJ-540	1
42	22535287	LABEL,CAUTION CARRIAGE #LA266	1
43	1000002971	LABEL,G-ROLLER 170 VP-540 #LA978	1
44	1000002970	LABEL,G-ROLLER 50 VP-540 #LA977	6
		LABEL,G-ROLLER 50 VP-540 #LA977	3
45	1000002685	LABEL,PINCH ROLL VP-540#LA968	1
46	1000002196	L-BEARING,SSR15XW1GGE/W2GE+1440L	1
	1000002145	L-BEARING,SSR15XW1GGE/W2GE+2050L	1
47	1000002535	LOCK,STAY VP-540	1
49	1000002581	PLATE,CUT ORIGIN VP-540	1
50	1000002675	PLATE,HOLDER CABLE VP-300	1
	1000002612	PLATE,HOLDER CABLE VP-540	1
51	22055316	PLATE,LINEAR SCALE CJ-70	1
52	1000002672	PLATE,RAIL REAR VP-300	1
	1000002615	PLATE,RAIL REAR VP-540	1
53	1000005171	RAIL,GUIDE RS-540	1
	1000002658	RAIL,GUIDE VP-300	1
54	1000002659	RAIL,LINEAR SCALE VP-300	1
	1000002543	RAIL,LINEAR SCALE VP-540	1
55	22175870	R-BEARING JIS 6800ZZ(B7)	1

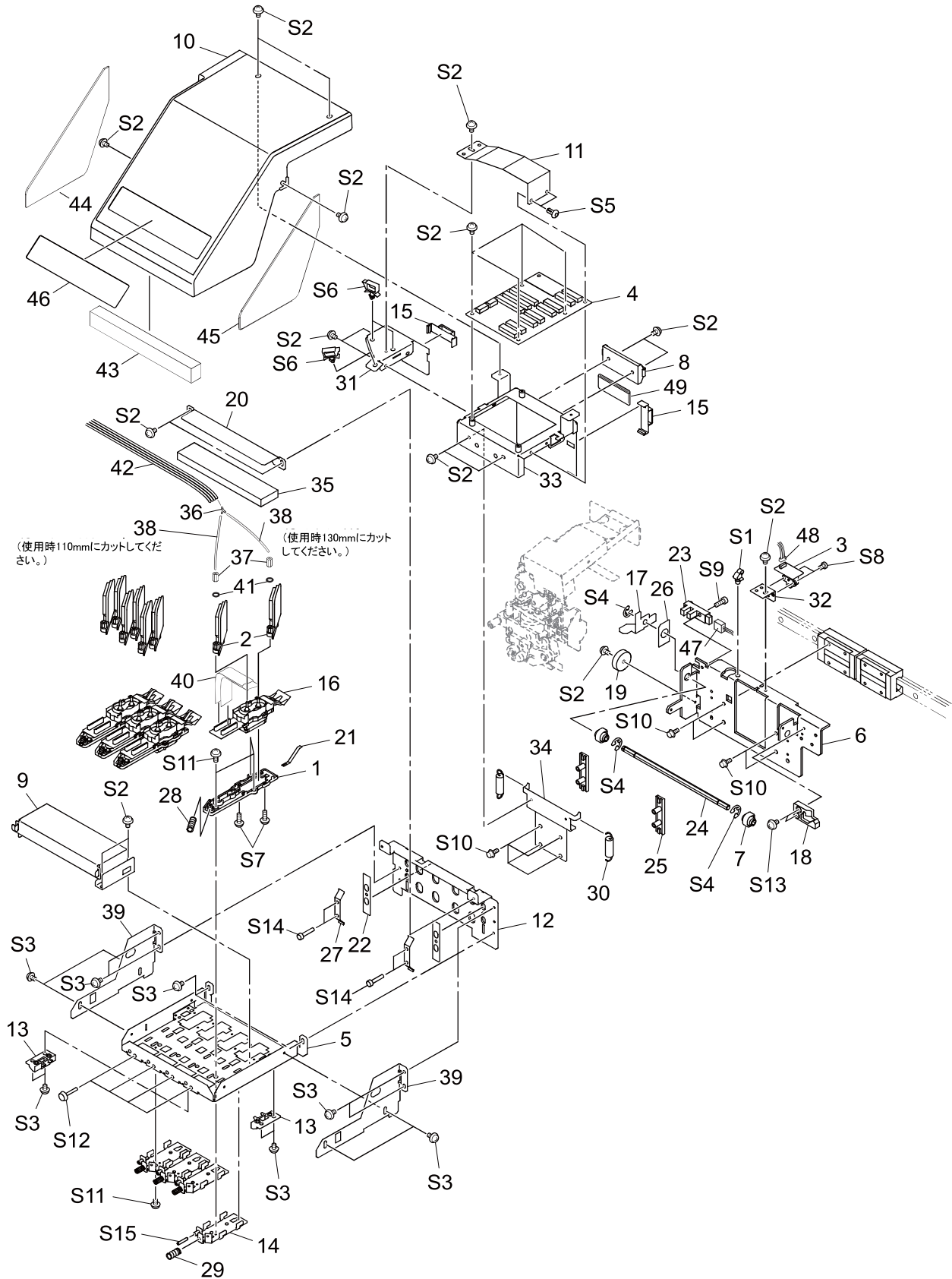
PARTS LIST -Main Parts-

	Parts No.	Parts Name	qt.
56	15229506	SENSOR INTERRUPTER,GP1A05A5	2
57	1000001480	SHAFT,DRIVE PULLEY XC-540	1
58	1000003089	SHEET,FRAME SUPPORT RAIL VP-540	3
59	1000005175	SHEET,HOLDER CABLE RS-540	2
	1000005562	SHEET,HOLDER CABLE VP-300I	2
60	1000001479	SHAFT,IDLE PULLEY XC-540	1
61	22295117	SHAFT,LOCK CJ-70	2
62	1000002665	SHEET,LINEAR SCALE VP-300	1
	1000002544	SHEET,LINEAR SCALE VP-540	1
63	1000002709	SHEET,RAIL UNDER VP-540 (VP-540i)	8
		SHEET,RAIL UNDER VP-540 (VP-300i)	5
64	1000002162	SHEET,ROTARY DISK SLIT 360LPI	1
65	22185101	SLIDER,LOCK CJ-70	1
66	7876709020	ASSY,FEED MOTOR SP-540V	1
67	22175134	SPRING,A CJ-70	2
68	22175122	SPRING,BACKUP PNC-960	1
69	22175157	SPRING,C P-ROLLER CM-500	2
70	1000002596	STAY,G-ENCODER SENSOR VP-540	1
71	1000002602	STAY,GUIDE FLEX VP-540	1
72	22715469	STAY,HOLD SHAFT SQUARE SP-500	1
73	1000002597	STAY,RAILGUIDE L VP-540	1
74	1000002534	STAY,SHAFT DRIVE PULLEY VP-540	1
75	1000002554	STAY,SUPPORT RAIL L VP-540	1
76	22135346	STOPPER,CAM CM-500	1
77	1000002594	STOPPER,GRIT-ENCORDER VP-540	1
78	22135441	STOPPER,LINEAR SCALE FJ-540	1
79	1000003036	SUPPORT, CABLE	1
80	1000004142	SUPPORT,GUIDE CABLE TYPE2 VP-540	1
81	1000003151	PAD,GUIDE TUBE VP-540 (VP-540i)	2
		PAD,GUIDE TUBE VP-540 (VP-300i)	1
82	1000004149	FILTER(E),FRC-40-12-1.7-013	1
83	1000003821	SPACER,FLANGE VP-540	1
84	1000003822	BASE,FLANGE VP-540	1
85	1000005271	HOLDER,CABLE F RS-540	1
	1000005564	HOLDER,CABLE F VP-300I	1
86	1000003374	PLATE,INK CARTRIDGE FLEX VP-540	1

PARTS LIST -Supplemental Parts-

	Parts No.	Parts Name	qt.
S1	31029101	BUSH,NB-19	1
S2	31029106	BUSH,SQUARE SB-6025	4
S3	31329501AS	CLAMP SET,PUSH MOUNT RT30SSF5 20P	2
S4	3000000033	CLAMP,WIRE PLESS RFC-45VO	6
S5	31289111AS	CUPSCREW SET, M4*6 NI 100 PCS.	10
S6	31289112AS	CUPSCREW SET,M3*10 NI 100 PCS.	3
S7	31289109AS	CUPSCREW SET,M3*4 NI 100 PCS.	21
S8	31289102AS	CUPSCREW SET,M3*6 NI 50 PCS.	7
S9	31119904	PIN,SPRING 2.5*8 SUS STRAIGHT 50 PCS	4
S10	31129102	PIPE SET,POLYCA 4*8*10 20PCS	2
S11	31149704AS	RING SET,E-RING ETW-6 SUS 100 PCS	3
S12	31299102AS	RIVET SET,NYLON P2655B 20 PCS.	29
S13	31409702	SADDLE SET,LOCKING WIRE LES-1010 20P	3
S14	31409801AS	SADDLE,LOCKING WIRE LWS-0711Z 20P	2
S15	31019149	SCREW SET,BINDING M2.3*8 3CBC 100PCS	2
S16	31049155AS	SCREW SET,CAP M3*12 BC+PW 20 PCS.	18
S17	31049171AS	SCREW SET,CAP M3*12 NI 50 PCS.	4
S18	31049170AS	SCREW SET,CAP M3*8 NI 50 PCS.	8
S19	31049173AS	SCREW SET,CAP M4*10 NI 50 PCS.	6
S20	31049174AS	SCREW SET,CAP M4*15 NI 20 PCS.	2
S21	31049137AS	SCREW SET,CAP M4*25 3CBC 20 PCS	4
S22	31049169AS	SCREW SET,CAP M4*8 3CBC+PW 20PCS	19
S23	31199701AS	SCREW SET,SET WP M3*3 NI 20 PCS	4
S24	31229103AS	SCREW SET,TRUSS M2*6 NI 100 PCS	2
S25	31239103AS	SCREW SET,W-SEMS M3*8 NI+PW 50 PCS	8
S26	31019703	SCREW,BINDING P-TIGHT M3*8 3C 100P	1
S27	31049117	SCREW,CAP M4*12 NI+PW 4*9*0.8 20PCS	2
S28	31069104	SCREW,CAP M4*6+FL NI	7

1-4 HEAD CARRIAGE (VP-540i)



1-4 HEAD CARRIAGE (VP-540i)

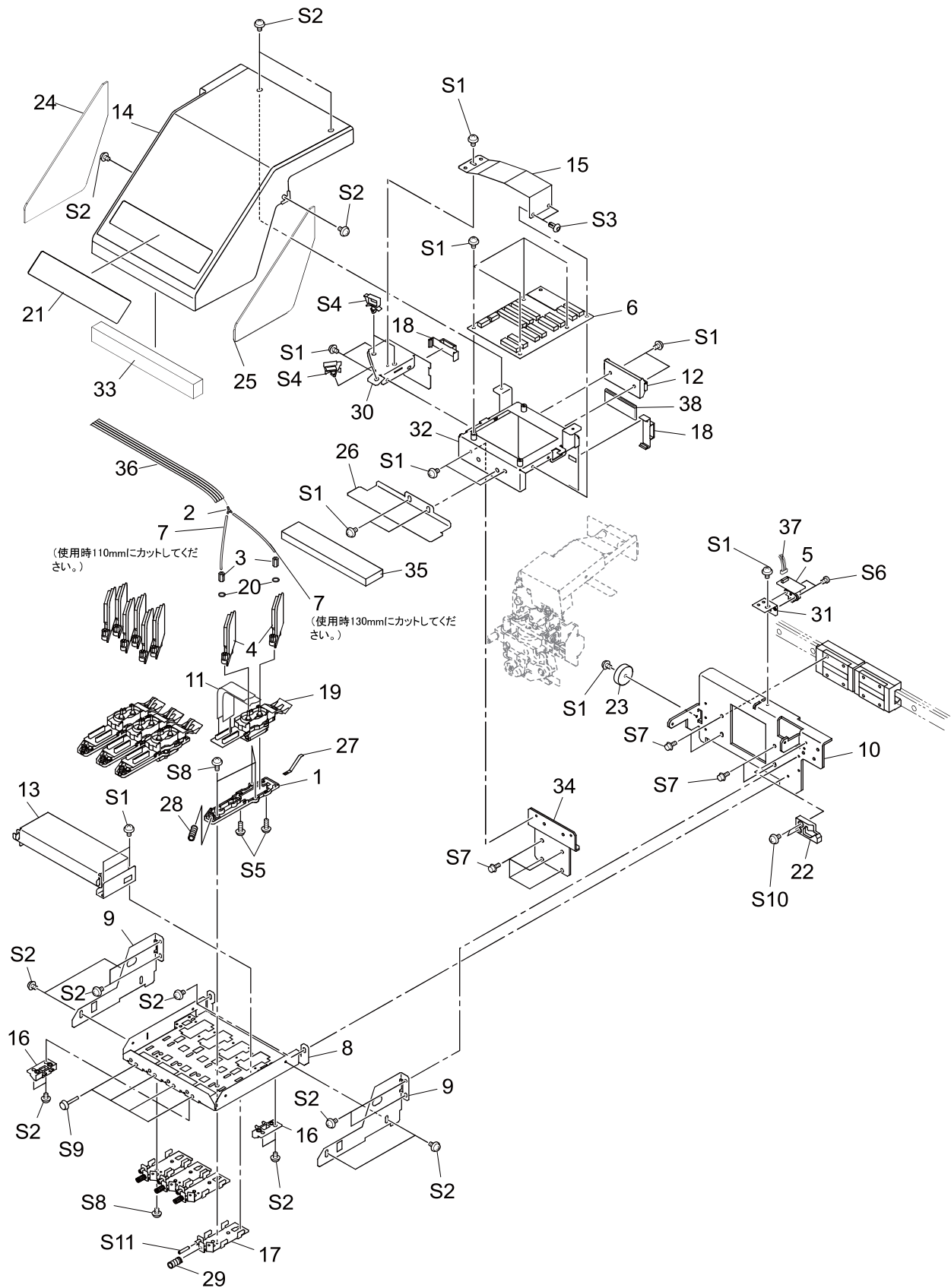
PARTS LIST -Main Parts-

	Parts No.	Parts Name	qt.
1	21905166	ADAPTER,HEAD FJ-540	4
2	6085393800	ASSY,INK DAMPER L 3FAI 4 SJ-1000	8
3	W700461130	ASSY,LINEAR ENCODER BOARD VP-540	1
4	W700461110	ASSY,PRINT CARRIAGE BOARD VP-540	1
5	1000002519	BASE,CARRIAGE AL VP-540	1
6	1000002520	BASE,HOLDER CARRIAGE VP-540	1
7	21775103	CAM,CARRIAGE FJ-540	2
8	11769118	CLAMP,FCM2-S6-14	3
9	1000002588	COVER,HEAD BOARD VP-540	1
10	1000002632	COVER,PRINT CARRIAGE VP-540	1
11	1000002652	COVER,PRINT JUNCTION VP-540	1
12	1000002523	FRAME,CARRIAGE U/D VP-540	1
13	1000003076	GUIDE,CARRIAGE CAP VP-540	2
14	22135440	GUIDE,HEAD AL FJ-540	4
15	1000003293	GUIDE,TUBE TYPE3 VP-540	2
16	1000002201	ASSY,HEAD INKJET SOL XC-540	4
17	1000002587	LEVER,CARRIAGE VP-540	1
18	21345105	LOCK,CJ-500	1
19	22395108	MAGNET,CJ-500	1
20	1000002586	PLATE,DAMPER VP-540	1
21	22055547	PLATE,GND FJ-540	4
22	22055548	PLATE,SLIDER CARRIAGE FJ-540	2
23	15229506	SENSOR INTERRUPTER,GP1A05A5	1
24	1000002521	SHAFT,HEXAGON CARRIAGE VP-540	1
25	22185127	SLIDER,CARRIAGE FJ-540	2
26	1000002623	SPACER,U/D LEVER VP-540	1
27	22175159	SPRING,CARRIAGE SIDE FJ-50	2
28	22175520	SPRING,HEAD ADJUST 500 FJ-540	4
29	22175519	SPRING,HEAD PRESS 500 FJ-540	4
30	22625109	SPRING,PULL CARRIAGE 3500 FJ-540	2
31	1000003863	STAY,CARRIAGE TUBE TYPE2 VP-540	1
32	1000000417	STAY,ENCORDER SENSOR SP-540V	1
33	1000005168	STAY,HOLDER CARRIAGE BOARD RS-540	1
34	1000002522	SUPPORT,CARRIAGE BOARD VP-540	1
35	1000002643	SUPPORT,DAMPER VP-540	1
36	1000002679	ADAPTER,JUNCTION VPY306	4
37	11909167	ADAPTER,SCREW 3FAI FJ-540	8
38	1000003136 (31259801)	ASSY,TUBING 3*150MM VP-540 (TUBE,INK N 3FAI NO.1083732 (100m))	8 Revised 6
39	1000003032	BASE,CARRIAGE SIDE AL VP-540	2
40	23475206	CABLE-CARD 21P1 330L BB	8
41	11659249	HOLDER,RING O 3FAI FJ-540	8
42	1000002681	TUBE,SJ-RDG3*4 4LINK VP-540	1
43	1000003031	SUPPORT,ADJUST SCREW VP-540	1
44	1000003075	PAD,PRINT CARRIAGE L VP-540	1
45	1000003074	PAD,PRINT CARRIAGE R VP-540	1
46	1000002753	LABEL,READ MANUAL VP-540#LA969	1
47	1000002171	CABLE-ASSY,HEAD U/D SENSOR VP-540	1
48	1000002174	CABLE-ASSY,LINEAR ENCODER VP-540	1
49	1000004149	FILTER(E),FRC-40-12-1.7-013	1

PARTS LIST -Supplemental Parts-

	Parts No.	Parts Name	qt.
S1	31329601AS	CLAMP SET,INSULOK T-18S 100 PCS.	1
S2	31289109AS	CUPSCREW SET,M3*4 NI 100 PCS.	21
S3	31289102AS	CUPSCREW SET,M3*6 NI 50 PCS.	14
S4	31149703AS	RING SET,E-RING ETW-4 100 PCS.	3
S5	31299102AS	RIVET SET,NYLON P2655B 20 PCS.	2
S6	31409801AS	SADDLE,LOCKING WIRE LWS-0711Z 20P	3
S7	31679902AS	SCREW SET C-SEMS M2*8 NI 100 PCS	8
S8	31019148AS	SCREW SET,BINDING M2.6*4 NI 100 PCS	2
S9	31049173AS	SCREW SET,CAP M4*10 NI 50 PCS.	1
S10	31049169AS	SCREW SET,CAP M4*8 3CBC+PW 20PCS	8
S11	31089121AS	SCREW SET,PAN M2.3*8 NI+PW 100PCS	13
S12	31179908AS	SCREW SET,UREA M3*20 N-1 WH 50PCS	4
S13	31239125AS	SCREW SET,W-SEMS M3*8 SUS 50 PCS.	2
S14	31799103	SCREW SET,CAP M3*15 NI 20PCS	4
S15	31199905AS	SCRW SET,SET CONE M3*16 NI 20 PCS	4

1-5 HEAD CARRIAGE (VP-300i)



1-5 HEAD CARRIAGE (VP-300i)

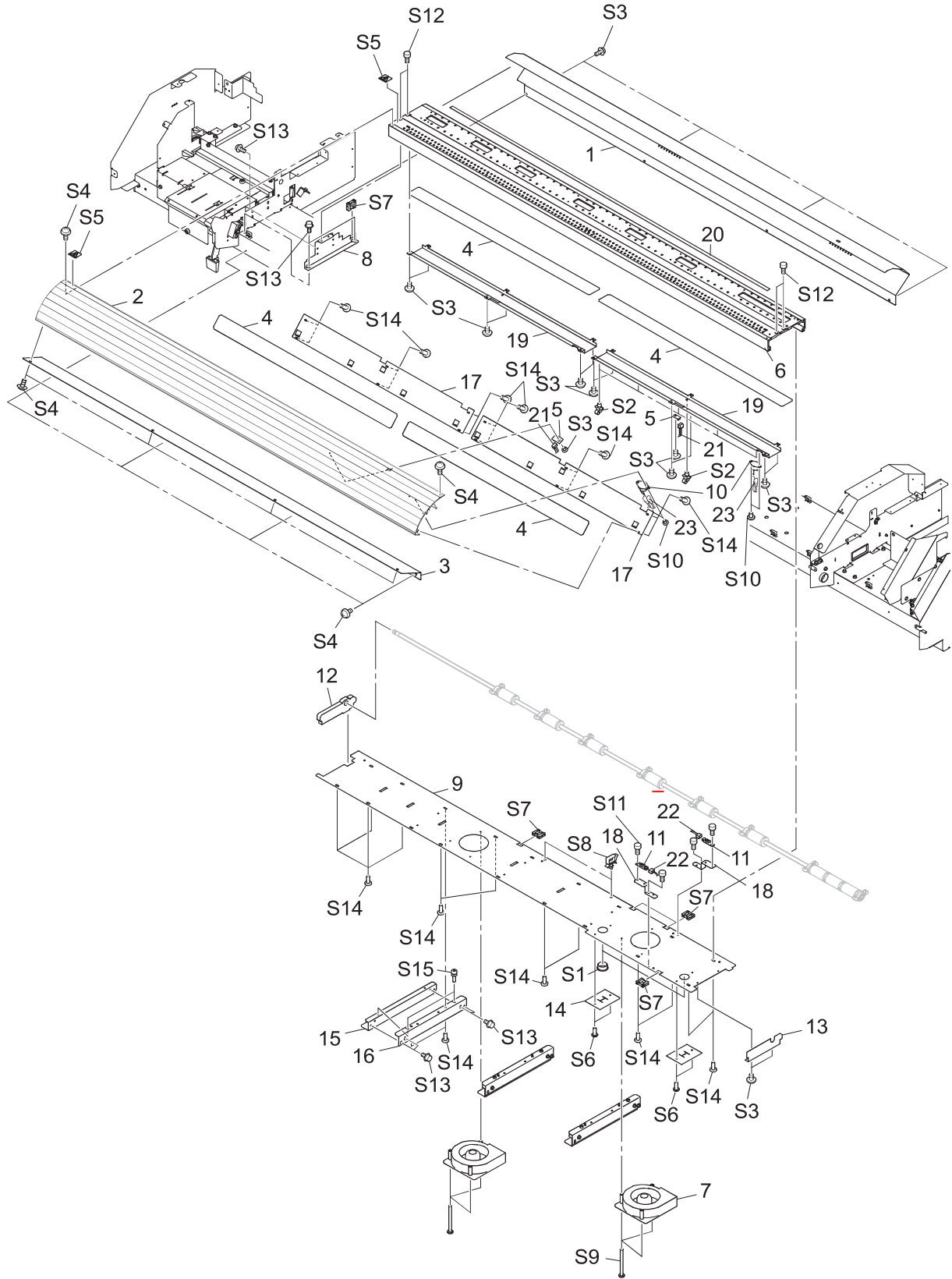
PARTS LIST -Main Parts-

	Parts No.	Parts Name	qt.
1	21905166	ADAPTER,HEAD FJ-540	4
2	1000002679	ADAPTER,JUNCTION VPY306	4
3	11909167	ADAPTER,SCREW 3FAI FJ-540	8
4	6085393800	ASSY,INK DAMPER L 3FAI 4 SJ-1000	8
5	W700461130	ASSY,LINEAR ENCODER BOARD VP-540	1
6	W700461110	ASSY,PRINT CARRIAGE BOARD VP-540	1
7	1000003136 (31259801)	ASSY,TUBING 3*150MM VP-540 (TUBE,INK N 3FAI NO.1083732 (100m))	8 Revised 6
8	1000002661	BASE,CARRIAGE AL VP-300	1
9	1000003032	BASE,CARRIAGE SIDE AL VP-540	2
10	1000002662	BASE,HOLDER CARRIAGE VP-300	1
11	23475206	CABLE-CARD 21P1 330L BB	8
12	11769118	CLAMP,FCM2-S6-14	1
13	1000002588	COVER,HEAD BOARD VP-540	1
14	1000002632	COVER,PRINT CARRIAGE VP-540	1
15	1000002652	COVER,PRINT JUNCTION VP-540	1
16	1000003076	GUIDE,CARRIAGE CAP VP-540	2
17	22135440	GUIDE,HEAD AL FJ-540	4
18	1000003293	GUIDE,TUBE TYPE3 VP-540	2
19	1000002201	ASSY,HEAD INKJET SOL XC-540	4
20	11659249	HOLDER,RING O 3FAI FJ-540	8
21	1000002753	LABEL,READ MANUAL VP-540#LA969	1
22	21345105	LOCK,CJ-500	1
23	22395108	MAGNET,CJ-500	1
24	1000003075	PAD,PRINT CARRIAGE L VP-540	1
25	1000003074	PAD,PRINT CARRIAGE R VP-540	1
26	1000002664	PLATE,DAMPER VP-300	1
27	22055547	PLATE,GND FJ-540	4
28	22175520	SPRING,HEAD ADJUST 500 FJ-540	4
29	22175519	SPRING,HEAD PRESS 500 FJ-540	4
30	1000003863	STAY,CARRIAGE TUBE TYPE2 VP-540	1
31	1000000417	STAY,ENCORDER SENSOR SP-540V	1
32	1000002524	STAY,HOLDER CARRIAGE BOARD VP-540	1
33	1000003031	SUPPORT,ADJUST SCREW VP-540	1
34	1000002663	SUPPORT,CARRIAGE BOARD VP-300	1
35	1000002643	SUPPORT,DAMPER VP-540	1
36	1000002670	TUBE,SJ-RDG3*4 4LINK VP-300	1
37	1000002174	CABLE-ASSY,LINEAR ENCODER VP-540	1
38	1000004149	FILTER(E),FRC-40-12-1.7-013	1

PARTS LIST -Supplemental Parts-

	Parts No.	Parts Name	qt.
S1	31289109AS	CUPSCREW SET,M3*4 NI 100 PCS.	21
S2	31289102AS	CUPSCREW SET,M3*6 NI 50 PCS.	14
S3	31299102AS	RIVET SET,NYLON P2655B 20 PCS.	2
S4	31409801AS	SADDLE,LOCKING WIRE LWS-0711Z 20P	3
S5	31679902AS	SCREW SET C-SEMS M2*8 NI 100 PCS	8
S6	31019148AS	SCREW SET,BINDING M2.6*4 NI 100 PCS	2
S7	31049169AS	SCREW SET,CAP M4*8 3CBC+PW 20PCS	8
S8	31089121AS	SCREW SET,PAN M2.3*8 NI+PW 100PCS	13
S9	31179908AS	SCREW SET,UREA M3*20 N-1 WH 50PCS	4
S10	31239125AS	SCREW SET,W-SEMS M3*8 SUS 50 PCS.	2
S11	31199905AS	SCRW SET,SET CONE M3*16 NI 20 PCS	4

1-6 BASE FRAME



1-6 BASE FRAME

PARTS LIST -Main Parts-

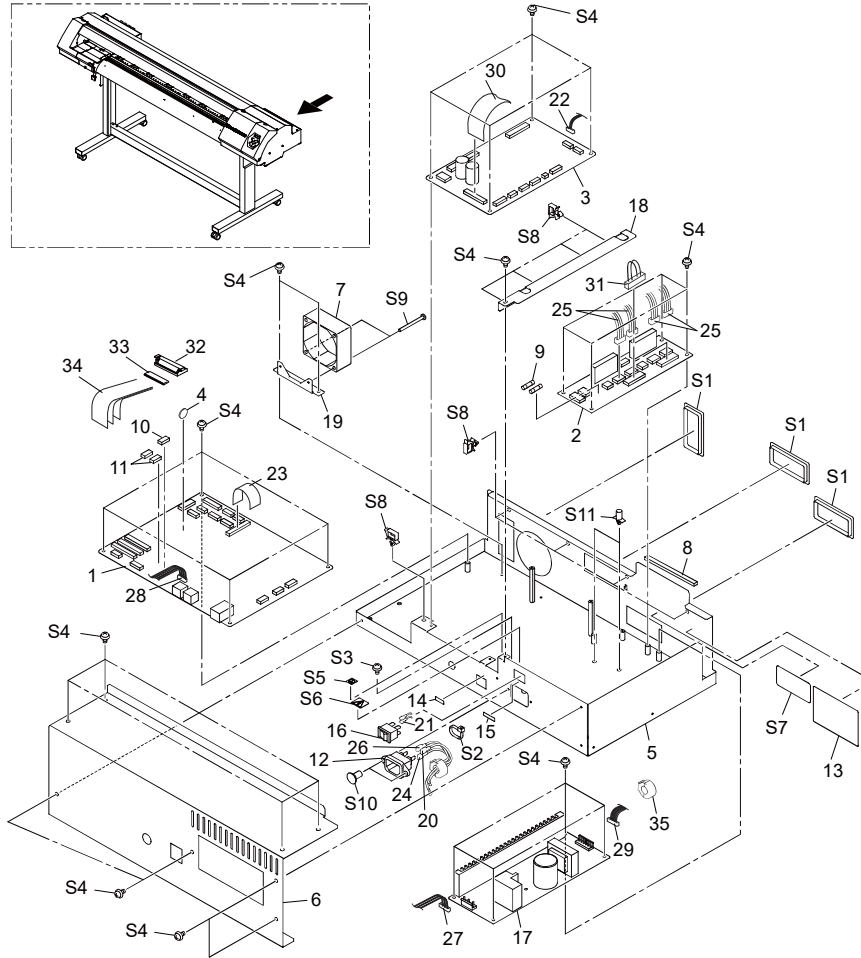
	Parts No.	Parts Name	qt.
1	1000004795	APRON,B RS-540	1
	1000005559	APRON,B VP-300I	1
2	1000002152	APRON,F AL VP-300	1
	1000002148	APRON,F AL VP-540	1
3	1000005086	APRON,F UNDER RS-540	1
	1000005558	APRON,F UNDER VP-300I	1
4	1000002166	ASSY,CORD HEATER VP-300	2
	1000002165	ASSY,CORD HEATER VP-540	2
5	W700461270	ASSY,THERMISTOR BOARD VP-540	2
	6700469060	ASSY,THERMISTOR BOARD SERVICE Revised 3	2
6	1000002151	BED,VP-300	1
	1000002147	BED,VP-540	1
7	1000000764	FAN,A35577-55ROL (VP-540i)	2
		FAN,A35577-55ROL (VP-300i)	1
8	1000002584	FRAME,SIDE BED L VP-540	1
9	1000002657	PLATE,SHUTTER VP-300	1
	1000002541	PLATE,SHUTTER VP-540	1
10	15099124	SENSOR,US-602SXTLAS 65OFF 50ON	1
11	15099115	SENSOR-INTERRUPTER GP2A25NJ	2
12	1000002600	SHUTTER,BED L VP-540	1
13	1000002599	SHUTTER,BED R VP-540	1
14	21625103	SHUTTER,HEATER CORD SP-300	2
15	1000002582	SPACER,BED LOWER VP-540 (VP-540i)	3
	1000002582	SPACER,BED LOWER VP-540 (VP-300i)	1
16	1000002583	SPACER,BED UPPER VP-540 (VP-540i)	3
	1000002583	SPACER,BED UPPER VP-540 (VP-300i)	1
17	1000002669	STAY,DRY HEATER VP-300	2
	1000002606	STAY,DRY HEATER VP-540	2
18	1000002585	STAY,PAPER SENSOR VP-540	2
19	1000002668	STAY,PRINT HEATER VP-300	2
	1000002590	STAY,PRINT HEATER VP-540	2
20	1000002656	PAD,CUTTER VP-300	1
	1000002598	PAD,CUTTER VP-540	1
21	1000002181	CABLE-ASSY,THERMISTOR VP-540	2
22	1000002175	CABLE-ASSY,PAPER SENSOR VP-540	1
23	1000002184	CABLE-ASSY,THERMOSTAT VP-540	2

PARTS LIST -Supplemental Parts-

	Parts No.	Parts Name	qt.
S1	31029101	BUSH,NB-19	2
S2	31329501AS	CLAMP SET,PUSH MOUNT RT30SSF5 20P	14
S3	31289109AS	CUPSCREW SET,M3*4 NI 100 PCS.	18
S4	31289102AS	CUPSCREW SET,M3*6 NI 50 PCS.	10
S5	31279106	LABEL,CAUTION HOT SURF NO.778	2
S6	31299102AS	RIVET SET,NYLON P2655B 20 PCS.	4
S7	31409702	SADDLE SET,LOCKING WIRE LES-1010 20P	5
S8	31409801AS	SADDLE,LOCKING WIRE LWS-0711Z 20P	2
S9	31019124	SCREW SET,BINDING M3*35 NI 50 PCS	6
S10	31019115AS	SCREW SET,BINDING M3*4 3CBC 100 PCS	4
S11	31049170AS	SCREW SET,CAP M3*8 NI 50 PCS.	4
S12	31049173AS	SCREW SET,CAP M4*10 NI 50 PCS.	4
S13	31049169AS	SCREW SET,CAP M4*8 3CBC+PW 20PCS	18
S14	31019703	SCREW,BINDING P-TIGHT M3*8 3C 100P	18
S15	31179106	SCREW,JACK UP SP-540V	6

*Revised 3: Refer to Service Information VP540i-005.

1-7 CHASSIS



PARTS LIST -Main Parts-

	Parts No.	Parts Name	qt.
1	6700989010	ASSY,MAIN BOARD RS-540	1
2	W700461220	ASSY,POWER BOARD VP-540	1
3	1000004994	ASSY,SERVO BOARD RS-540	1
4	15009101	BATTERY CR2032	1
5	1000004995	CHASSIS,RS-540	1
6	1000005165	COVER,CHASSIS RS-540	1
7	1000000012	FAN,109R0624H459	1
8	1000003085	FILTER(E),CHASSIS SHIELD VP-540	1
9	12559105	FUSE,5X20 021706.3MXP 6.3A/250V	2
11	1000003015	FUSE,1543.15DR	2
12	13429702	INLET AC P01CF01 15A250V	1
13	22535257	LABEL,CAUTION VOLTAGE #LA167	1
14	1000002682	LABEL,LAN VP-540#LA964	1
15	22535117	LABEL,POWER CM-500 NO.893	1
16	13129170	POWER SW AJ7201B	1
17	1000004955	POWER UNIT,LEB150F-0536-XRLD	1
	1000006130	POWER UNIT,LEB150F-0536-XRLD A Revised 2	1
18	1000004996	STAY,CABLE RS-540	1
19	1000002566	STAY,CHASSIS FAN VP-540	1
20	1000002189	CABLE-ASSY,JUNBI A VP-540	1
21	23415116	CABLE ASSY,JUNBI D SP-300	1
22	23415117	CABLE ASSY,POWER MAIN SP-300	1
23	23475197	CABLE CARD 25P1 105L BB FJ-540	1
24	23415268	CABLE-ASSY AC GROUND GREEN SP-540	1
25	1000002755	CABLE-ASSY,HEATER VP-300	4
	1000002183	CABLE-ASSY,HEATER VP-540	4
26	1000002190	CABLE-ASSY,JUNBI B VP-540	1

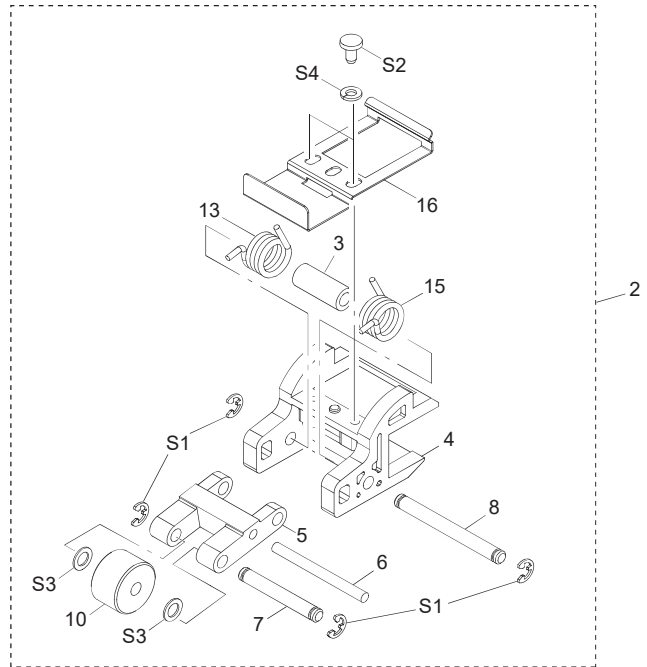
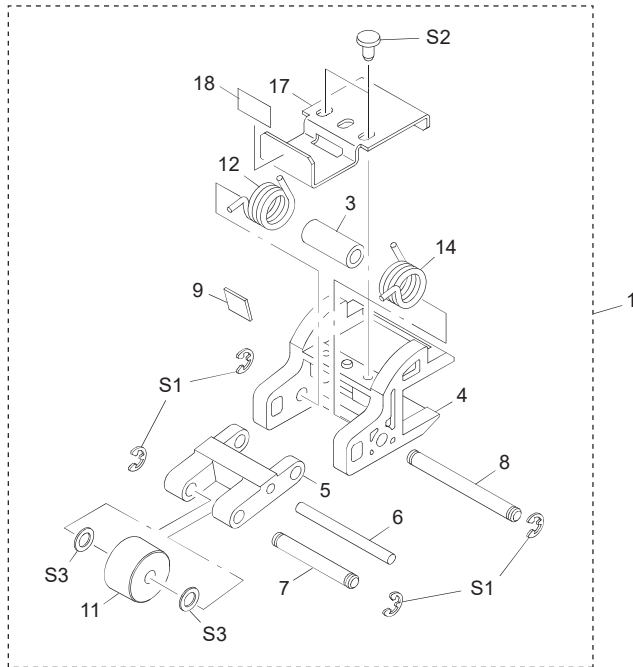
	Parts No.	Parts Name	qt.
27	1000002173	CABLE-ASSY,JUNBI E VP-540	1
28	1000004961	CABLE-ASSY,POWER SERVO RS-540	1
29	1000002180	CABLE-ASSY,RELAY JUNCTION VP-540	1
30	1000005567	CABLE-CARD,40P1 1430L BB HIGH-V (VP-300i)	1
	23475237	CABLE-CARD,40P1 2070L BB HIGH-V (VP-540i)	1
31	1000002044	CABLE-ASSY,117V SELECTOR XC-540 (For 117V)	2
	1000002043	CABLE-ASSY,230V SELECTOR XC-540 (For 230V)	2
32	11769118	CLAMP,FCM2-S6-14	1
33	1000004149	FILTER(E),FRC-40-12-1.7-013	2
	23475213	CABLE-CARD,36P1 2000L BB (VP-300i)	3
34	23475240	CABLE-CARD,36P1 2670L BB HIGH-V (VP-540i)	3
	12399353	FILTER(E) TFT-081813N	1

Revised 2 : Refer to the Service Information : VP540i-004

PARTS LIST -Supplemental Parts-

	Parts No.	Parts Name	qt.
S1	31029106	BUSH,SQUARE SB-6025	3
S2	31329601AS	CLAMP SET,INSULOK T-18S 100 PCS.	1
S3	31289111AS	CUPSCREW SET, M4*6 NI 100 PCS.	1
S4	31289109AS	CUPSCREW SET,M3*4 NI 100 PCS.	27
S5	31279116	LABEL,EARTH MARK-1 NO.E-580	1
S6	31279121	LABEL,FLASH-LIGHTING NO.E-582	1
S7	31279191	LABEL,WARNING FUSE REPLACE #347	1
S8	31409801AS	SADDLE,LOCKING WIRE LWS-0711Z 20P	8
S9	31019124	SCREW SET,BINDING M3*35 NI 50 PCS	2
S10	31289105AS	CUPSCREW SET, M3*6 3CBC 100 PCS	2
S11	31369102	SPACER,PCB SUPPORT PCB-8S	2

1-8 PINCH ROLLER



PARTS LIST -Main Parts-

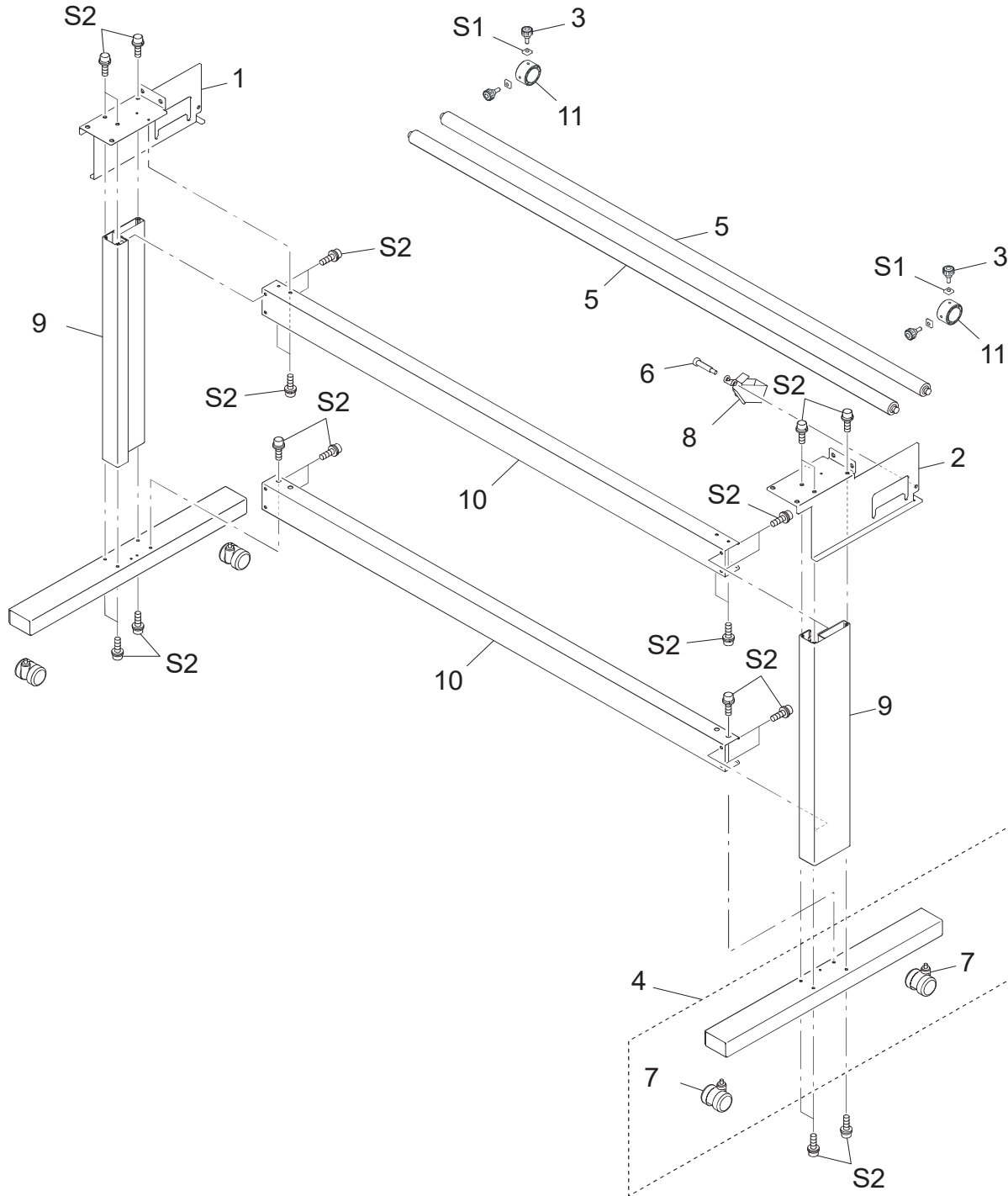
	Parts No.	Parts Name	qt.
1	6700460210	ASSY,PINCHROLL L VP-540	1
	6700460220	ASSY,PINCHROLL R VP-540	1
2	6700460300	ASSY,PINCHROLL C VP-540 (VP-540i)	5
		ASSY,PINCHROLL C VP-540 (VP-300i)	2
3	21745101	COLLAR,P-ROLLER PNC-960	1
4	22195153	FRAME,PINCH ROLL SP-540V	1
5	22145416	LEVER,P-ROLLER PNC-960	1
6	11539104	PIN 3*35 SUS M6	1
7	22145831	PIN NO.1 (214-831)	1
8	22145832	PIN NO.2 214-832	1
9	22055264	PLATE,GUIDE P PNC-960	1
10	21565103	P-ROLLER FD16S4(B10) TYPE2	1
11	21565102	P-ROLLER TD16S4(B10) TYPE2	1
12	22625101	SPRING,PINCH LEFT SP-300	1
13	1000002648	SPRING,PINCH LEFT VP-540	1
14	22625102	SPRING,PINCH RIGHT SP-300	1
15	1000002649	SPRING,PINCH RIGHT VP-540	1
16	22715461	STAY,PINCH CENTER SP-540V	1
17	1000003028	STAY,PINCH SENSOR VP-540	1
18	1000002973	LABEL,PINCH SENSOR VP-540 #LA979	1

PARTS LIST -Supplemental Parts-

	Parts No.	Parts Name	qt.
S1	31149702AS	RING SET,E-RING ETW-3 100 PCS.	4
S2	31019702AS	SCREW SET,BIND P-TIGHT M3*6 3C 100P	2
S3	31249211AS	WASHER SET,PLAIN 4.3*7*0.5 NI 100P	2
S4	31249303	WASHER SET,SPRING M3 NI 100 PCS	2

* qt. indicates the number of parts that is described in the figure.

1-9 STAND



PARTS LIST -Main Parts-

	Parts No.	Parts Name	qt.
	1	1000002578 ARM,L VP-540	1
	2	1000002577 ARM,R VP-540	1
	3	7498805000 ASSY STOPPER SCREW PNS-501	4
	4	1000002636 ASSY,BASE STAND VP-540	2
	5	1000002153 ASSY,SHAFT SHEET VP-300	2
		1000001611 ASSY,SHAFT SHEET XC-540	2
	6	21815106 BOLT,SHOULDER PNS-501	1
	7	12329505 CASTER,BWS-50BN	4
	8	1000002618 LEVER,BRAKE VP-540	1

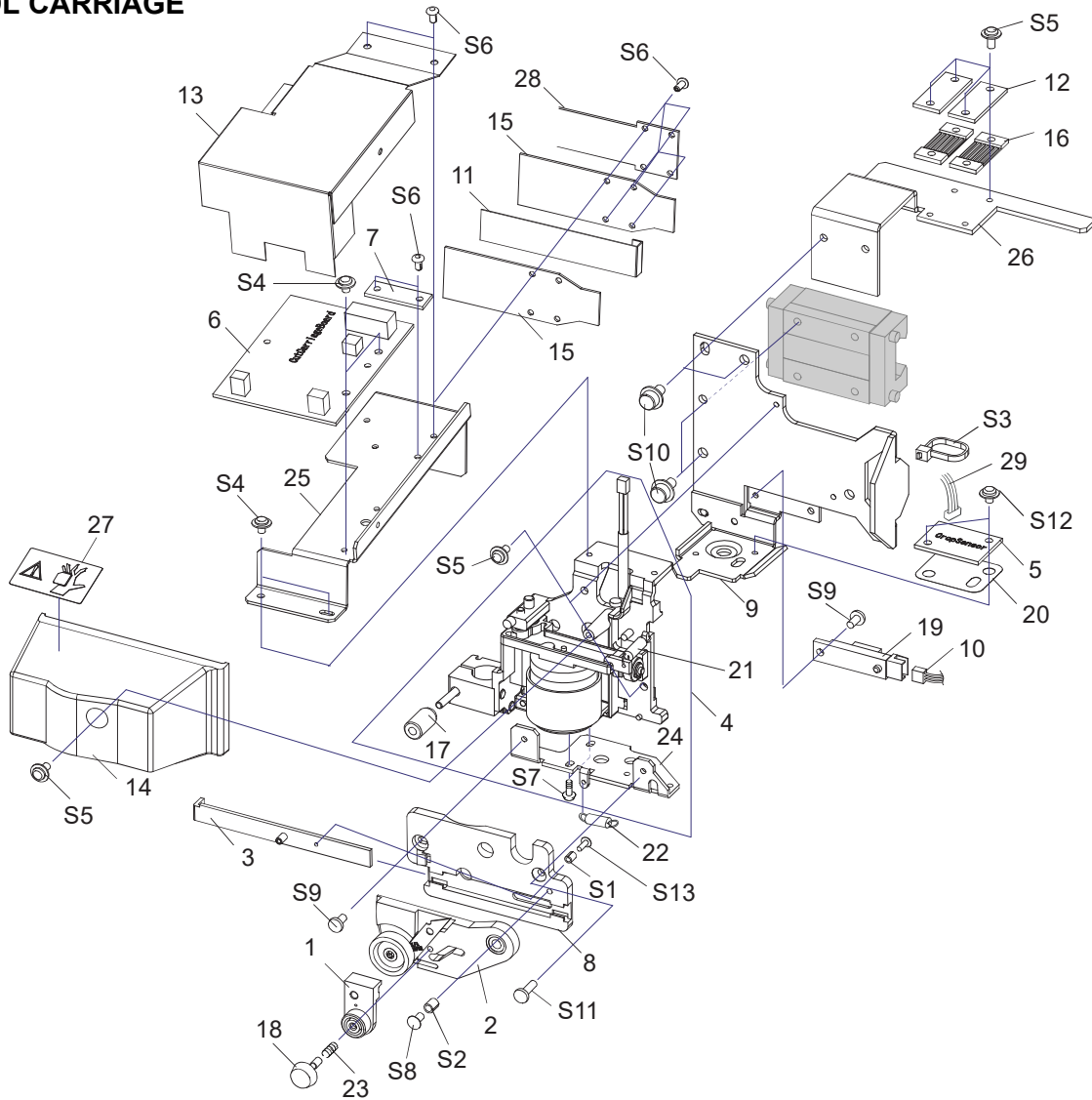
PARTS LIST -Supplemental Parts-

	Parts No.	Parts Name	qt.
	9	1000005694 STAND,LEG RS-540	2
	10	1000002678 STAY,STAND VP-300	2
		1000002635 STAY,STAND VP-540	2
	11	1000001579 STOPPER,SHAFT POM XC-540	1

PARTS LIST -Supplemental Parts-

	Parts No.	Parts Name	qt.
	S1	3000000036 NUT SET,SQUARE M5 8.5*8.5*2.3 3C 100PCS	4
	S2	31049157 SCREW,CAP M6*20 3CBC+PW+SW	20

1-10 TOOL CARRIAGE



PARTS LIST -Main Parts-

	Parts No.	Parts Name	qt.
1	22805292	ASSY, CLAMP BLADE CM-500	1
2	22805291	ASSY, HOLDER BLADE CM-500	1
3	22805287	ASSY, PLATE CAM SLIDE CM-500	1
4	22805571	ASSY,CARRIAGE SP-300	1
5	W700461250	ASSY,CROP SENSOR BOARD VP-540	1
6	W700461120	ASSY,CUT CARRIAGE BOARD VP-540	1
7	W700461290	ASSY,FLEX1 VP-540	3
8	7488739000	BASE CUTTER CJ-500	1
9	1000002530	BASE,CUT CARRIAGE VP-540	1
10	1000002185	CABLE-ASSY,PINCH SENSOR VP-540	1
11	23475207	CABLE-CARD,15P1 1900L BB (VP-300i)	1
	23475238	CABLE-CARD,15P1 2570L BB HIGH-V (VP-540i)	1
12	22025646	COVER,BELT HOLDER EGX-600	2
13	1000002570	COVER,CARRIAGE BOARD VP-540	1
14	22025269	COVER,CARRIAGE CM-500	1
15	1000002667	GUIDE,CABLE FLEX-CUT VP-300	2
	1000002591	GUIDE,CABLE FLEX-CUT VP-540	2
16	21655232	HOLDER,BELT EGX-600	2
17	22285503	NUT,PENHOLDER	1
18	21495115	SCREW,BLADE SET CM-500	1
19	15099115	SENSOR-INTERRUPTER GP2A25NJ	1
20	21475148	SHEET,FILTER CROP CJ-500	1
21	22175122	SPRING,BACKUP PNC-960	1
22	22175154	SPRING,BLADE UP CM-500	1

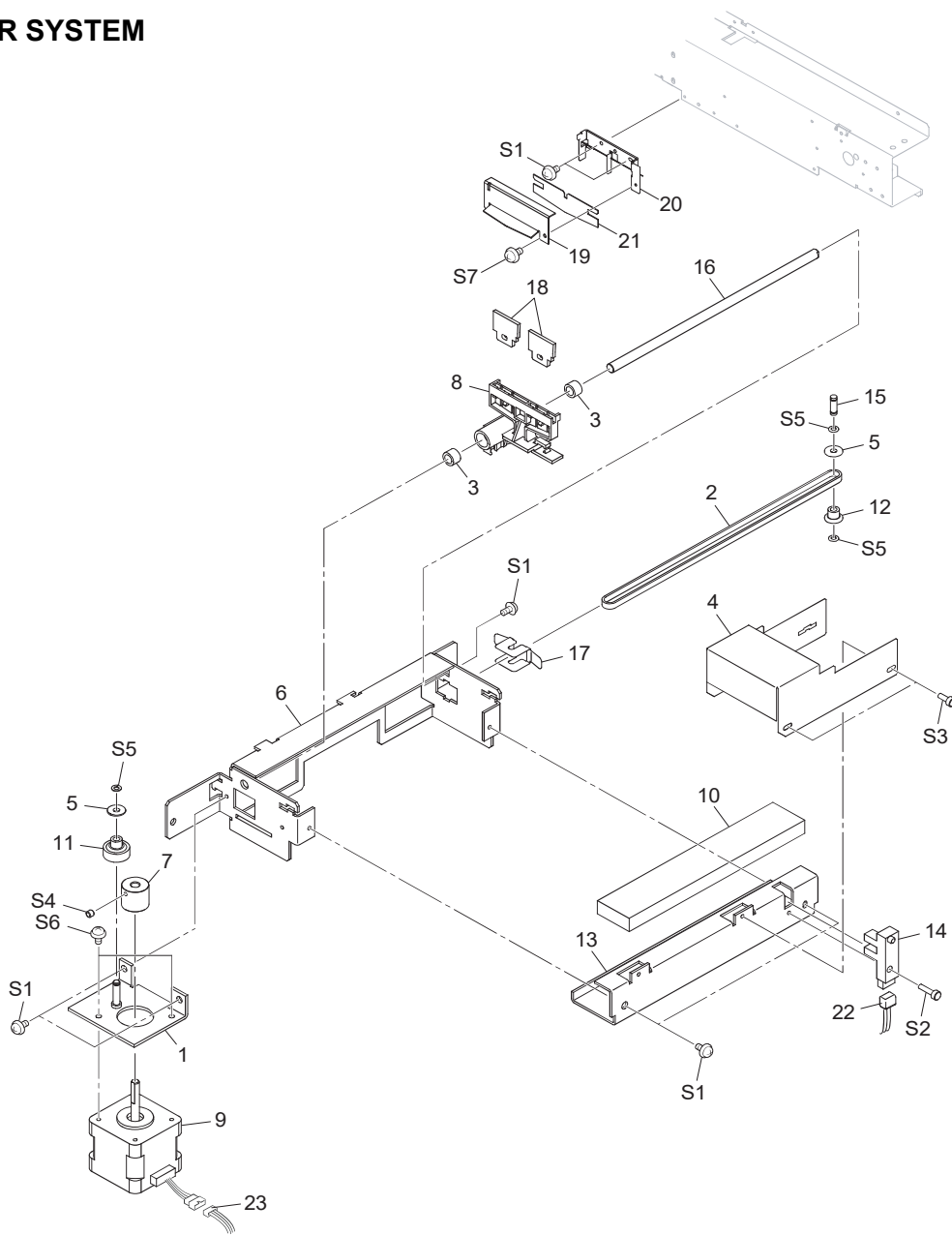
PARTS LIST -Main Parts-

	Parts No.	Parts Name	qt.
23	22175155	SPRING,SCREW CM-500	1
24	22715168	STAY,AUTO CUTTER 2 CM-500	1
25	1000002531	STAY,CUT CARRIAGE BOARD VP-540	1
26	1000002540	STAY,HOLDER BELT VP-540	1
27	22535287	LABEL,CAUTION CARRIAGE #LA266	1
28	1000002674	PLATE,CABLE CUT VP-300	1
	1000002613	PLATE,CABLE CUT VP-540	1
29	1000002187	CABLE-ASSY,CROP SENSOR VP-540	1

PARTS LIST -Supplemental Parts-

	Parts No.	Parts Name	qt.
S1	31029801AS	BUSH SET,ROLL 2*4 3C100PCS	1
S2	31029803AS	BUSH SET,ROLL 3*5 3C 20PCS.	1
S3	31329601AS	CLAMP SET,INSULOK T-18S 100 PCS.	1
S4	31289109AS	CUPSCREW SET,M3*4 NI 100 PCS.	4
S5	31289102AS	CUPSCREW SET,M3*6 NI 50 PCS.	7
S6	31299102AS	RIVET SET,NYLON P2655B 20 PCS.	8
S7	31019148AS	SCREW SET,BINDING M2.6*4 NI 100 PCS	2
S8	31019118AS	SCREW SET,BINDING M3*10 3CBC 100PCS	1
S9	31019116AS	SCREW SET,BINDING M3*6 3CBC 100 PCS	2
S10	31069104	SCREW,CAP M4*6+FL NI	4
S11	31169103AS	SCREW SET,FLAT M3*6 3CBC 100 PCS	1
S12	31089110AS	SCREW SET,PAN M3*4 NI+PW 100 PCS	2
S13	31229103AS	SCREW SET,TRUSS M2*6 NI 100 PCS	1

1-11 WIPER SYSTEM



PARTS LIST -Main Parts-

	Parts No.	Parts Name	qt.
1	1000002576	BASE,WIPER MOTOR VP-540	1
2	11929138	BELT,408P2M4-530	1
3	12159536	BUSH,B-S6-17	2
4	1000002572	COVER,WIPE VP-540	1
5	21995104	FLANGE,PULLEY STX-7	2
6	1000002574	FRAME,WIPER VP-540	1
7	21685144	GEAR,S53S5(B15) FJ-540	1
8	21655245	HOLDER,WIPER FJ-540	1
9	22435106	MOTOR,103-593-1041	1
10	21545160	PAD,WIPER TRAY SJ-540	1
11	21975124	PULLEY,T14P2S4 + GEAR,S53	1
12	21975123	PULLEY,WD6.94S9	1
13	1000002575	RAIL,GUIDE WIPER VP-540	1
14	15229506	SENSOR INTERRUPTER,GP1A05A5	1
15	1000004034	SHAFT,WIPE PULLEY XC-540	1
16	22155961	SHAFT,WIPER FJ-540	1
17	22175140	SPRING,TENSIONER STX-7	1

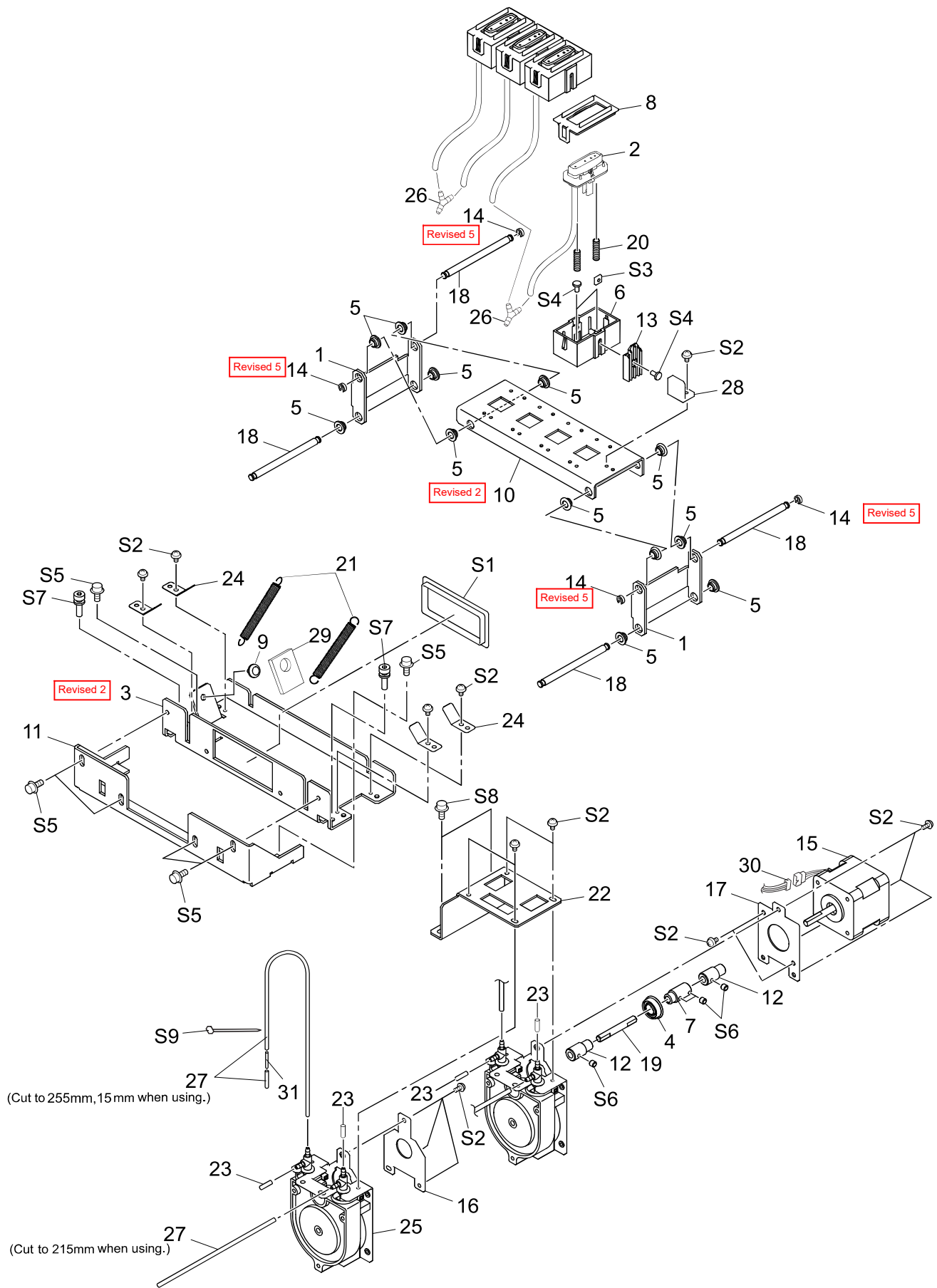
PARTS LIST -Main Parts-

	Parts No.	Parts Name	qt.
18	1000003390	WIPER,HEAD FOR SOLINK	2
19	1000002573	COVER,SCRAPER VP-540	1
20	1000002571	HOLDER,SCRAPER VP-540	1
21	1000001658	WIPER,SCRAPER XC-540	1
22	1000002186	CABLE-ASSY,WIPER SENSOR VP-540	1
23	1000002182	CABLE-ASSY,WIPER MOTOR VP-540	1

PARTS LIST -Supplemental Parts-

	Parts No.	Parts Name	qt.
S1	31289109AS	CUPSCREW SET,M3*4 NI 100 PCS.	7
S2	31049171AS	SCREW SET,CAP M3*12 NI 50 PCS.	1
S3	31049170AS	SCREW SET,CAP M3*8 NI 50 PCS.	2
S4	31199701AS	SCREW SET,SET WP M3*3 NI 20 PCS	1
S5	31249952	WASHER SET,POLYSLIDER 2.6*5*.5 CUT 20PCS	3
S6	31289102AS	CUPSCREW SET,M3*6 NI 50 PCS.	2
S7	31289112AS	CUPSCREW SET,M3*10 NI 100 PCS.	1

1-12 PUMP SYSTEM



1-12 PUMP SYSTEM

PARTS LIST -Main Parts-

	Parts No.	Parts Name	qt.
1	1000002537	ARM, LINK UP VP-540	4
2	1000002794	ASSY, CAP-TOP XC-540	4
	1000004546	ASSY, CAP-TOP 2 XC-540 Revised 1	4
3	1000002538	BASE, CAP VP-540	1
3	1000006234	BASE, CAP 2 VP-540I Revised 2	1
4	22175815	BEARING F8-16ZZ	1
5	1000000796	BUSH, 80F-0503	12
6	21365121	CASE, CAP TOP FJ-540	4
7	1000002564	COUPLING, PUMP VP-540	1
8	22025671	COVER, CAP CASE FJ-540	4
9	12239406	CUSHION, TM-96-6	1
10	1000002536	FRAME, BACK-UP CAP VP-540	1
	1000006241	FRAME, BACK-UP CAP 2 VP-540I Revised 2	1
11	1000002580	FRAME, BASE CAP VP-540	1
12	21685122	GEAR, S10S20	2
13	22135616	GUIDE, CAP CASE FJ-540	2
14	11659249	HOLDER, RING O-3FAI FJ-540	4
	22135349	STOPPER, PEN-HOLDER CM-24 Revised 5	4
15	22435106	MOTOR, 103-593-1041	1
16	1000002595	PLATE, P-BEARING VP-540	1
17	1000001585	PLATE, P-MOTOR XC-540	1
18	1000002539	SHAFT, CAP VP-540	4
19	1000002563	SHAFT, PUMP VP-540	1
20	22175334	SPRING, CAP HEAD FJ-540	8
21	1000002561	SPRING, CAP SWING VP-540	2
22	1000002565	STAY, PUMP ASSY VP-540	1
23	1000002019	STOPPER, PUMP XC-540	4
24	1000002645	STOPPER, SHAFT CAP VP-540	4
25	6700319010	ASSY, PUMP SUB XC-540	2
26	1000002095	FITTING, TUBE PP VFY206	2
27	1000002119	TUBE, EPDM ID2-OD4 310MM	2
	(3000000053)	(TUBE, EPDM ID2-OD4 100M) Revised 6	
28	1000003033	STAY, GUIDE CAP-CASE VP-540	1
29	1000003104	SHEET, BASE CAP VP-540	1
30	1000002179	CABLE-ASSY, PUMP MOTOR VP-540	1
31	1000003383	ASSY, TUBING 2*30MM VP-540	1
	(31539113)	(TUBE, INK N 2FAI 100M) Revised 6	

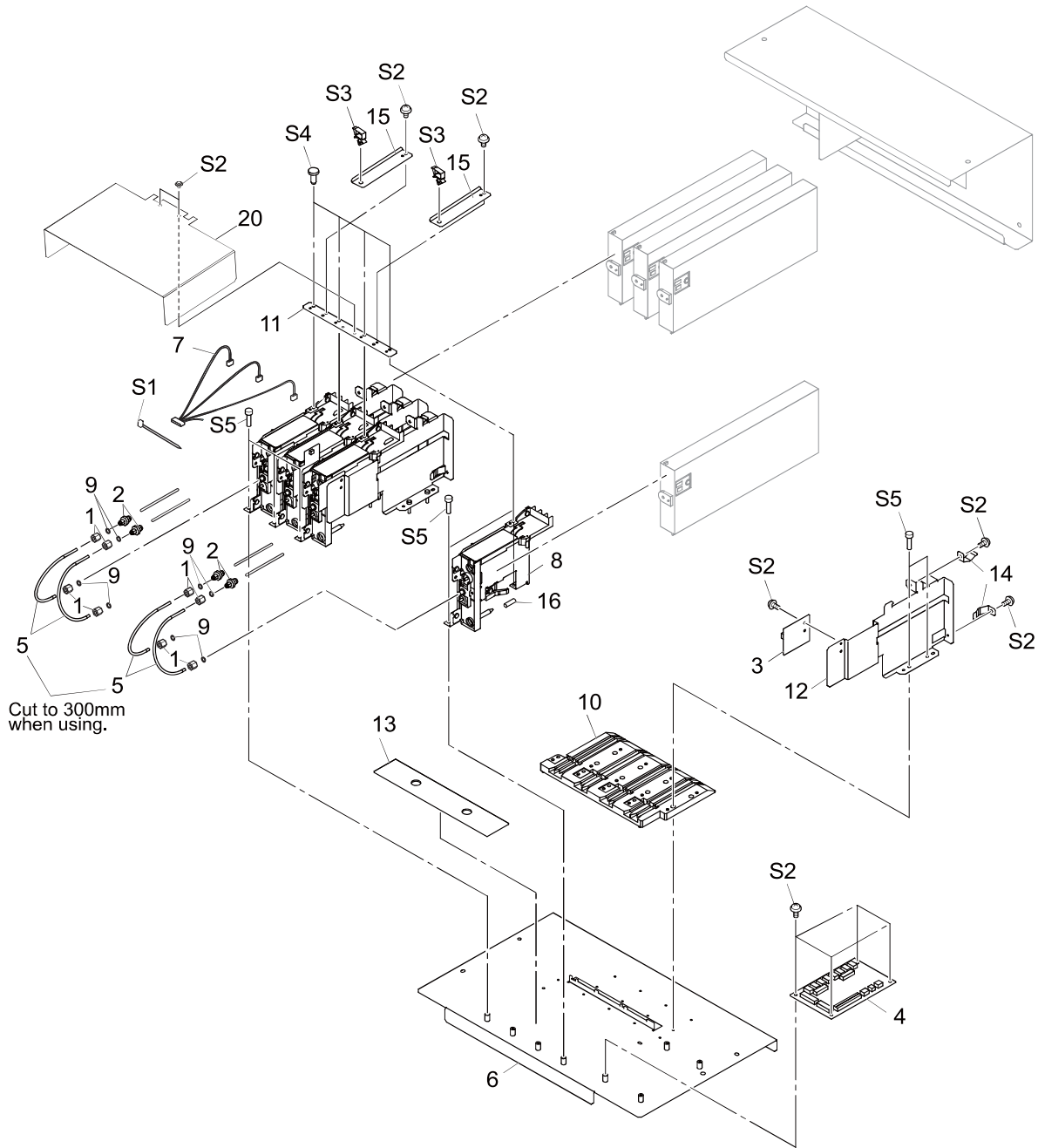
PARTS LIST -Supplemental Parts-

	Parts No.	Parts Name	qt.
S1	31029106	BUSH, SQUARE SB-6025	1
S2	31289109AS	CUPSCREW SET, M3*4 NI 100 PCS.	17
S3	31109601	NUT SET, SQUARE M3*6*1.6 FE NI 100PCS	2
S4	31019116AS	SCREW SET, BINDING M3*6 3CBC 100 PCS	10
S5	31049169AS	SCREW SET, CAP M4*8 3CBC+PW 20PCS	6
S6	31199701AS	SCREW SET, SET WP M3*3 NI 20 PCS	4
S7	31179106	SCREW, JACK UP SP-540V	2
S8	31289111AS	CUPSCREW SET, M4*6 NI 100 PCS.	2
S9	31329601AS	CLAMP SET, INSULOK T-18S 100 PCS.	1

Revised 1: 1000004546 ASSY, CAP-TOP 2 XC-540
Refer to the Service Information : VP540i-001

Revised 2: 1000006234 BASE, CAP 2 VP-540I
1000006241 FRAME, BACK-UP CAP 2 VP-540I
Refer to the Service Information : VP540i-002

1-13 INK SYSTEM



PARTS LIST -Main Parts-

Parts No.	Parts Name	qt.
1	11909133 ADAPTER,SCREW 2FAI FJ-50	8
2	1000004796 ADAPTER,JOINT 2-3FAI RS-540	4
3	W700461280 ASSY,CARTRIDGE IC BOARD VP-540	4
4	W700461230 ASSY,FEED MOTOR BOARD VP-540	1
5	1000002424 ASSY,TUBING 2*310MM XC-540	4
	(3000000031) (TUBE,TYGON2075 2FAI 15M)	Revised 6
6	1000002568 BASE,INKCARTRIDGE VP-540	1
7	1000002172 CABLE-ASSY,INK CARTRIDGE VP-540	1
8	11659218 HOLDER,I/C SC-500	4
9	11659149 HOLDER,RING O 2FAI FJ-50	8
10	22055435 PLATE,INK FJ-500	1
11	1000002560 PLATE,INK JOINT VP-540	1
12	1000001473 PLATE,HOLDER I/C XC-540	4
13	21475153 SHEET,INKCARTRIDGE SP-300	1
14	22625103 SPRING,PRESS CARTRIDGE SP-300	8

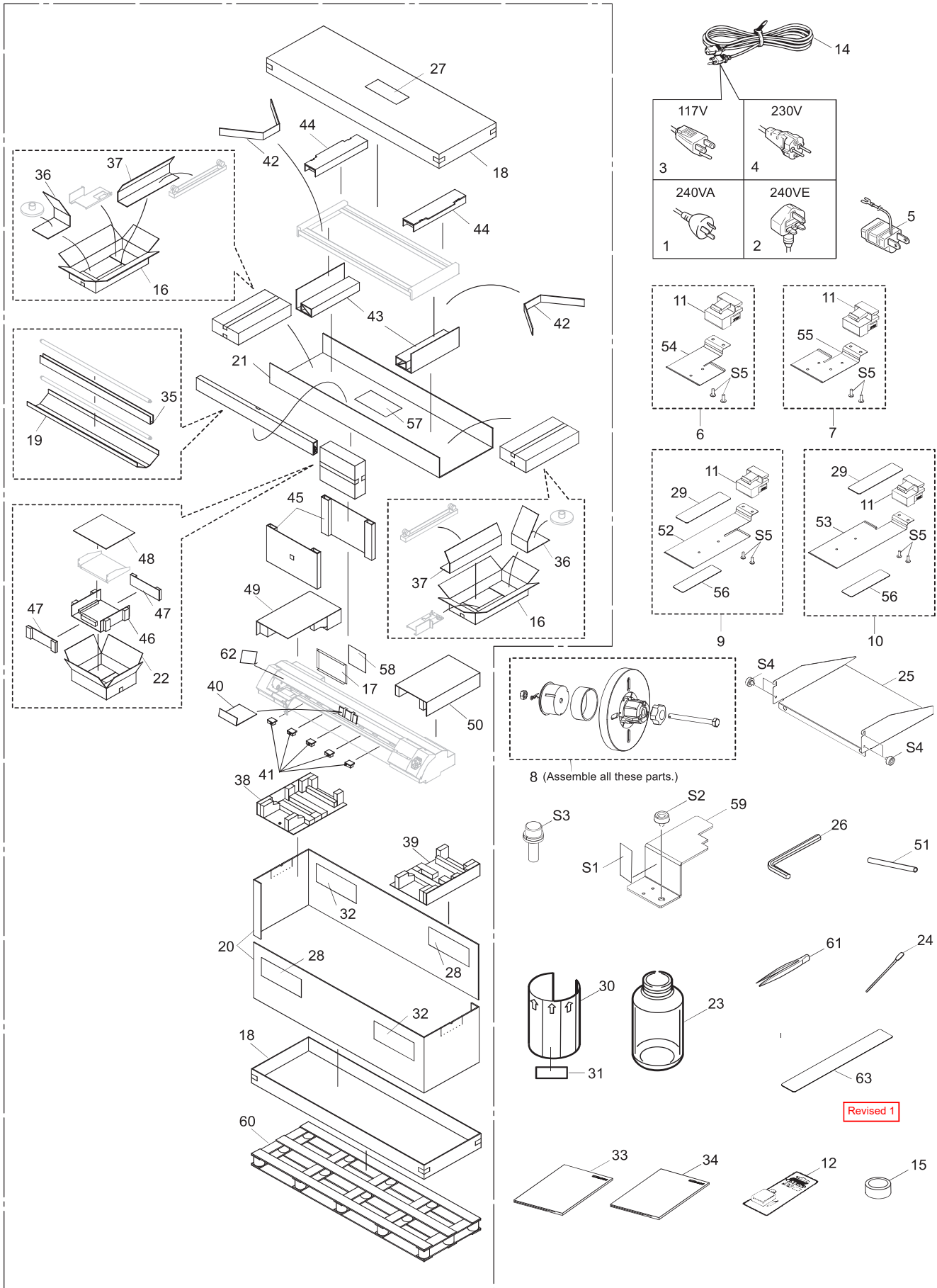
PARTS LIST -Main Parts-

Parts No.	Parts Name	qt.
15	1000002640 SUPPORT,TUBE VP-540	2
16	21435109 TUBE,SILICONE 3*5*8	4
17	1000003038 COVER,CARTRIDGE IC VP-540	1

PARTS LIST -Supplemental Parts-

Parts No.	Parts Name	qt.
S1	31329601AS CLAMP SET,INSULOK T-18S 100 PCS.	1
S2	31289109AS CUPSCREW SET,M3*4 NI 100 PCS.	20
S3	31409801AS SADDLE,LOCKING WIRE LWS-0711Z 20P	2
S4	31019801 SCREW,BINDING S-TIGHT M3*6 3C 100PCS	4
S5	31799103 SCREW SET,CAP M3*15 NI 20PCS	16

1-14 ACCESSORY



1-14 ACCESSORY

PARTS LIST -Main Parts-

	Parts No.	Parts Name	qt.
1	23495124	AC CORD 3ASL100 240VA 10A SAA	1
2	13499111	AC CORD H05VV-F 240VE 10A S	1
3	13499109	AC CORD SJT 117V 10A 3PVC	1
4	23495125	AC-CORD H05VV 230V 10A S	1
5	13499209	ADAPTER PLUG (100V)	1
6	22805575	ASS'Y, SHORT MEDIA CLAMP L SP-540V	1
7	22805576	ASS'Y, SHORT MEDIA CLAMP R SP-540V	1
8	1000003083	ASSY,FLANGE GUIDE VP-540	2
9	6700469040	ASSY,MEDIA CLAMP L LONG VP-540	1
10	6700469050	ASSY,MEDIA CLAMP R LONG VP-540	1
11	22845112	BASE,MEDIA CLAMP SP-300	4
12	11849102	BLADE,OLFA AUTO CUTTER XB10	1
13	13439801	CABLE-AC 3P CHINA 10A250V S	1
14	23495117	CABLE-AC,VCTF 100V 12A 3P-S	1
15	22335143	CAP,EPDM	1
16	1000002698	CARTON,ACCESSORY VP-540	2
17	22605305	CARTON,COVER INK SP-300	1
18	1000002701	CARTON,COVER VP-300	2
	1000002688	CARTON,COVER VP-540	2
19	1000002704	CARTON,SHAFT SHEET VP-300	1
	1000002699	CARTON,SHAFT SHEET VP-540	1
20	1000005273	CARTON,SLEEVE RS-540	2
	1000005505	CARTON,SLEEVE TYPE2 VP-300	2
21	1000002703	CARTON,STAND VP-300	1
	1000002694	CARTON,STAND VP-540	1
22	1000003077	CARTON,TRAY 440 VP-540	1
23	11369115	CASE,PP BOTTLE	1
24	ST-037	CLEAN STICK TX712A	10
25	1000002650	COVER,440CC I/C VP-540	1
26	22565682	HEXAGONAL WRENCH 5	1
27	22535532	LABEL,CARTON CARE #LA762	1
28	1000005569	LABEL,CARTON VP-300I#LA1109	2
	1000005568	LABEL,CARTON VP-540I#LA1108	2
29	22535469	LABEL,CAUTION CLAMP SP-300#LA677	2
30	22535144	LABEL,DRAIN BOTTLE #LA29	1
31	1000001099	LABEL,HARMFUL FIRE #LA915	3
32	22535357	LABEL,USE FORKLIFT #LA435	2
	1000002751	MANUAL,INS EN VP-540 MAX	1
33	1000002749	MANUAL,INS JP VP-540 MAX	1
	1000002750	MANUAL,USE EN VP-540 COMMON	1
34	1000002748	MANUAL,USE JP VP-540 COMMON	1
	1000003030	PAD, SHAFT SHEET VP-540	1
35	1000003112	PAD,SHAFT SHEET VP-300	1
	1000002968	PAD,ACCESSORY VP-540	2

PARTS LIST -Main Parts-

	Parts No.	Parts Name	qt.
37	1000003111	PAD,BASE STAND VP-540	2
38	1000002690	PAD,L-LEFT VP-540	1
39	1000005216	PAD,L-RIGHT RS-540	1
40	1000003110	PAD,RAIL UPPER VP-540	1
41	21545178	PAD,SPACER RAIL SP-300	5
42	1000002697	PAD,SPACER STAND VP-540	2
43	1000002695	PAD,STAND L/R VP-540	2
44	1000002696	PAD,STAND UPPER VP-540	2
45	1000005217	PAD,SUPPORT STAND RS-540	2
46	1000003078	PAD,TRAY 440 A VP-540	1
47	1000003079	PAD,TRAY 440 B VP-540	2
48	1000003080	PAD,TRAY 440 C VP-540	1
49	1000005274	PAD,U-LEFT RS-540	1
50	1000005275	PAD,U-RIGHT RS-540	1
51	22155133	PIPE,TOOL D9*150 FJ-540	1
52	22055691	PLATE,LONG CLAMP MEDIA L SP-540V	1
53	22055693	PLATE,LONG CLAMP MEDIA R SP-540V	1
54	22055692	PLATE,SHORT CLAMP MEDIA L SP-540V	1
55	22055694	PLATE,SHORT CLAMP MEDIA R SP-540V	1
56	1000001602	SHEET,CLAMP MEDIA XC-540	2
57	1000005574	STICKER,REP JP/EN VP-540I	1
58	22735135	STICKER,SUP JP/EN SP-300	1
59	1000002604	STOPPER,CARRIAGE VP-540	1
60	1000005276	TRAY,SKID RS-540	1
	1000005504	TRAY,SKID TYPE2 VP-300	1
61	12569656	TWEEZERS PTS-01	1
62	1000004192	PAD,COVER FRONT VP-540	1
63	1000006413	LABEL,USE ONLY FPG2 #1162	1

PARTS LIST -Supplemental Parts-

	Parts No.	Parts Name	qt.
S1	31279201	LABEL,REPACKAGE #LA16	1
S2	31139103	PLAPOINT,FE4*6 WH	1
S3	31049157	SCREW,CAP M6*20 3CBC+PW+SW	26
S4	31139104	SCREW,PLAPOINT M4*6 BK FE	4
S5	31229103AS	SCREW SET,TRUSS M2*6 NI 100 PCS	8