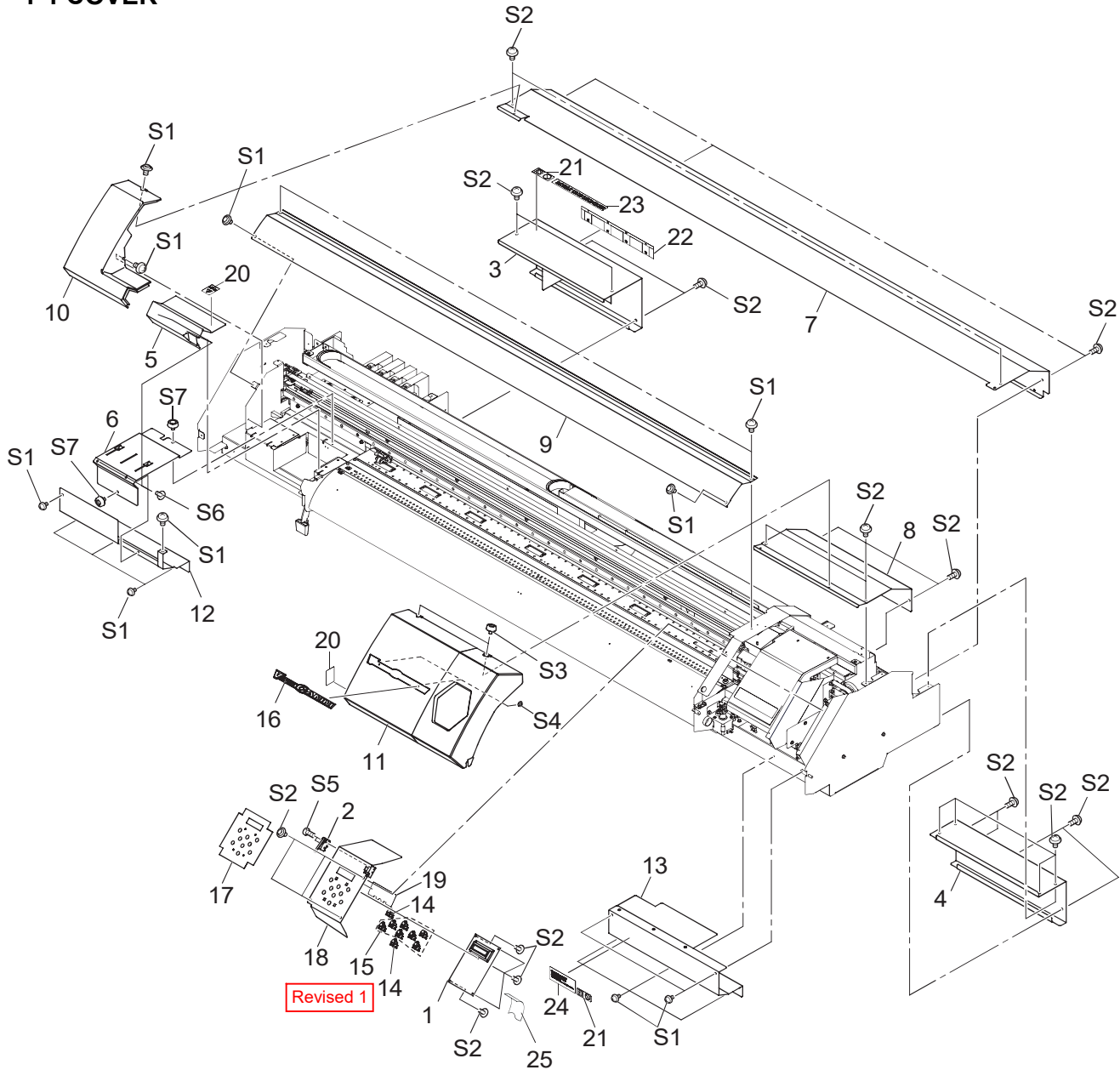


# 1 Structure & Spare Parts

## 1-1 COVER



### PARTS LIST -Main Parts-

Parts No.	Parts Name
1	W700461210 ASSY,PANEL BOARD VP-540
2	23505834 CABLE-ASSY MAINT-COVER SW FJ-540
3	1000002608 COVER,INK CARTRIDGE VP-540
4	1000002633 COVER,CHASSIS VP-540
5	1000002550 COVER,MAINTENANCE INKHEAD VP-540
6	1000002620 COVER,MAINTENANCE VP-540
7	1000002676 COVER,RAIL B VP-300
	1000002624 COVER,RAIL B VP-540
8	1000002651 COVER,RAIL B-RIGHT VP-540
9	1000002150 COVER,RAIL F VP-300
	1000002146 COVER,RAIL F VP-540
10	1000002619 COVER,SIDE L VP-540
11	1000002621 COVER,SIDE R VP-540
12	1000002627 COVER,UNDER L VP-540
13	1000002628 COVER,UNDER R VP-540
14	22495102 KEY TOP,CLEAR GX-24
15	22495101 KEY TOP,WHITE GX-24
16	1000002626 LABEL,EMBLEM LOGO VERSACAMM

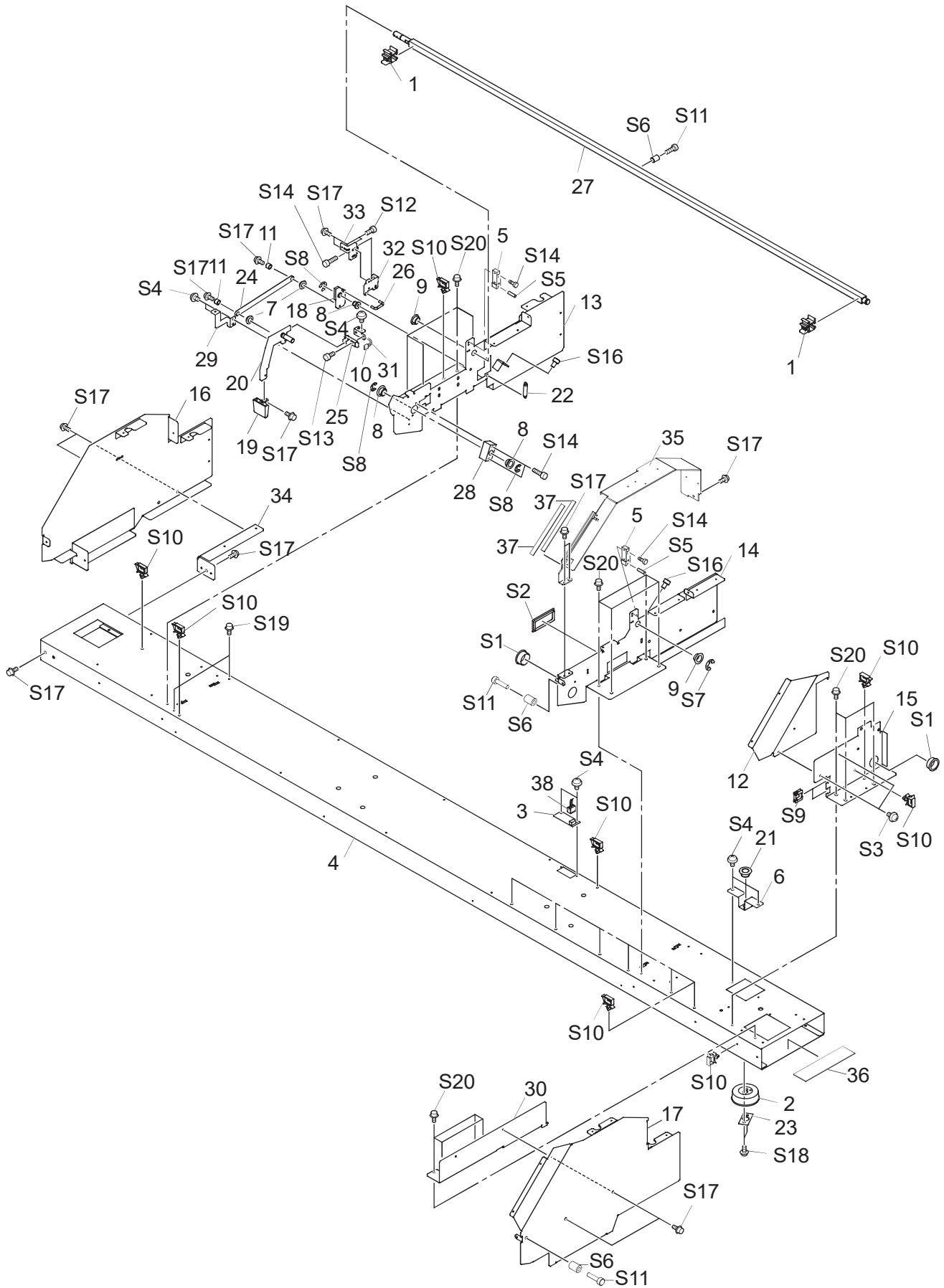
### PARTS LIST -Main Parts-

Parts No.	Parts Name
17	1000002637 SHEET,PANEL VP-540
18	1000002625 STAY,PANEL VP-540
19	1000003029 SHEET,LCD VP-540
20	22535347 LABEL,CAUTION PINCH-2 #LA423
21	1000001099 LABEL,HARMFUL FIRE #LA915
22	22535441 LABEL,SET INK SP-300 #LA634
23	22535442 LABEL,USE ONLY ECO-SOL #LA635
24	22535444 LABEL,READ MANUAL #LA637
25	23475212 CABLE-CARD,24P1 600L BB

### PARTS LIST -Supplemental Parts-

Parts No.	Parts Name
S1	31289111 CUPSCREW SET, M4*6 NI 100 PCS.
S2	31289109 CUPSCREW SET,M3*4 NI 100 PCS.
S3	31139103 PLAPOINT,FE4*6 WH
S4	31149601 RING SET,PUSH-ON CS CSTW-3 100 PCS
S5	31019149 SCREW SET,BINDING M2.3*8 3C 100PCS
S6	31019703 SCREW,BINDING P-TIGHT 3*8BC 100P
S7	31139104 SCREW,PLAPOINT M4*6 BK FE

# 1-2 FRAME



## 1-2 FRAME

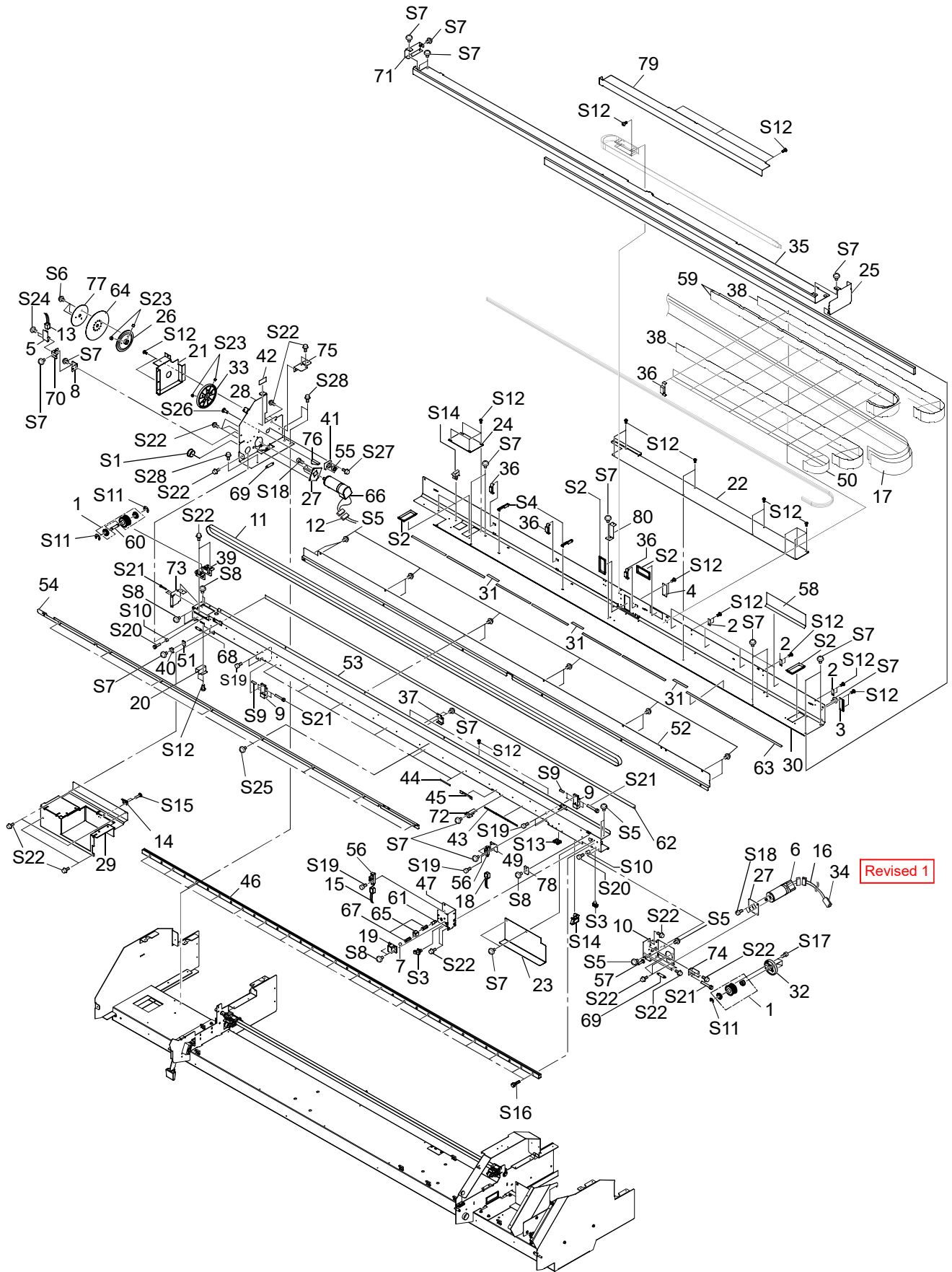
### PARTS LIST -Main Parts-

	Parts No.	Parts Name
1	21905192	ADAPTER,CLAMP MEDIA SP-540V
2	7520501000	ASSY,CAP BOTTLE 2 FJ-52
3	W700461240	ASSY,FAN JUNCTION BOARD VP-540
4	1000002653	BASE,BOTTOM VP-300
	1000002527	BASE,BOTTOM VP-540
5	1000002589	BASE,RAIL VP-540
6	21985140	BRACKET,INK CATCH TANK SP-540V
7	12159573	BUSH,80F-0603
8	12159563	BUSH,80F-1006
9	12159508	BUSH,SHAFT OILES 80F-1206
10	1000002176	CABLE-ASSY,PINCH U/D SENSOR VP-540
11	21745109	COLLAR,LEVER FJ-540
12	1000002630	COVER,SCAN MOTOR VP-540
13	1000002528	FRAME,MIDDLE L VP-540
14	1000002529	FRAME,MIDDLE R VP-540
15	1000002548	FRAME,SCAN MOTOR VP-540
16	1000002518	FRAME,SIDE L VP-540
17	1000002545	FRAME,SIDE R VP-540
18	22305101	GUIDE,LEVER SP-300
19	22485104	KNOB FJ-50
20	1000002556	LEVER,CAM PINCH VP-540
21	22155763	OILES BUSH 80F-0806
22	22175105	PINCH ROLL SPRING
23	22055474	PLATE,INK CATCH TANK FJ-52
24	1000002609	PLATE,LEVER LINK VP-540
25	15229506	SENSOR INTERRUPTER,GP1A05A5
26	22145393	SHAFT,JOINT PNC-960
27	22295270	SHAFT,SQUARE SP-300
	1000002526	SHAFT,SQUARE VP-540
28	22035196	STAND,LEVER SP-300
29	1000002629	STAY,COVER UNDER VP-540
30	1000002558	STAY,FRAME SIDE R VP-540
31	1000002555	STAY,LEVER SENSOR VP-540
32	1000002631	STAY,PINCH LEVER ADJUST VP-540
33	1000002551	STAY,PINCH LEVER VP-540
34	1000002569	STAY,SUPPORT INKCARTRIDGE VP-540
35	1000002607	SUPPORT,FRAME R VP-540
36	1000003088	PAD,BASE BOTTOM VP-540
37	1000003087	PAD,SUPPORT FRAME R VP-540
38	1000002168	CABLE-ASSY,FAN VP-540

### PARTS LIST -Supplemental Parts-

	Parts No.	Parts Name
S1	31029101	BUSH,NB-19
S2	31029106	BUSH,SQUARE SB-6025
S3	31289111	CUPSCREW SET, M4*6 NI 100 PCS.
S4	31289109	CUPSCREW SET,M3*4 NI 100 PCS.
S5	31119904	PIN,SPRING 2.5*8 SUS STRAIGHT 50 PCS
S6	31129101	PIPE,POLYCA 3*6*8
S7	31149706	RING SET,E-RING ETW-10 SUS 20 PCS
S8	31149705	RING,E ETW-7 SUS
S9	31409702	SADDLE,LOCKING EDGE LES-1010
S10	31409801	SADDLE,LOCKING WIRE LWS-0711Z 20
S11	31049171	SCREW SET,CAP M3*12 NI 50 PCS.
S12	31049142	SCREW SET,CAP M3*6 NI MEC 20 PCS
S13	31049173	SCREW SET,CAP M4*10 NI 50 PCS.
S14	31049137	SCREW SET,CAP M4*25 3CBC 20 PCS
S16	31799107	SCREW SET,CAP M4*6NI 20pcs
S17	31049169	SCREW SET,CAP M4*8 3CBC+PW 20PCS
S18	31239125	SCREW SET,W-SEMS M3*8 SUS 50 PCS.
S19	31179106	SCREW,JACK UP SP-540V
S20	31069104	SCREW,CAP M4*6+FL NI

# 1-3 DRIVE UNIT



# 1-3 DRIVE UNIT

## PARTS LIST -Main Parts-

	Parts No.	Parts Name
1	6700469030	ASSY,PULLEY VP-540
2	W700461290	ASSY,FLEX1 VP-540
3	W7004612A0	ASSY,FLEX2 VP-540
4	W7004612B0	ASSY,FLEX3 VP-540
5	W700461260	ASSY,GRIT ENCODER BOARD VP-540
6	6700469020	ASSY,SCAN MOTOR VP-540
7	11869103	BALL,4MM
8	1000002605	BASE,G-ENCODER SENSOR VP-540
9	1000002589	BASE,RAIL VP-540
10	1000002533	BASE,SCAN DRIVE VP-540
11	1000002671	BELT,100S2M1539LW-C
	1000002547	BELT,150S2M2153LW-C
12	23415124	CABLE-ASSY,G-MOTOR SP-300
13	1000002169	CABLE-ASSY,GRIT ENCODER VP-540
14	23415114	CABLE-ASSY,MAINT-COVER SW SP-300
15	1000002178	CABLE-ASSY,PRI-CAR ORG VP-540
16	1000002188	CABLE-ASSY,SCAN MOTOR VP-540
17	23475213	CABLE-CARD,36P1 2000L BB
	23475240	CABLE-CARD,36P1 2670L BB HIGH-V
18	1000002167	CABLE-ASSY,CUT-CAR ORG VP-540
19	21365103	CASE,LOCK CJ-70
20	1000002646	COVER,ENCODER VP-540
21	1000002592	COVER,FEED GEAR VP-540
22	1000002711	COVER,INK CARTRIDGE FLEX VP-300
	1000002708	COVER,INK CARTRIDGE FLEX VP-540
23	1000002647	COVER,INNER VP-540
24	1000003037	COVER,JUNCTION BOARD VP-540
25	1000002710	COVER,RAIL SIDE VP-540
26	1000002593	FLANGE,GRIT-ENCORDER VP-540
27	21995118	FLANGE,MOTOR SCAN CX-500
28	1000002552	FRAME,FEED MOTOR VP-540
29	1000002549	FRAME,SUPPORT AUTO CUTTER VP-540
30	1000002660	FRAME,SUPPORT RAIL VP-300
	1000002546	FRAME,SUPPORT RAIL VP-540
31	1000003086	FILTER(E),RAIL SHIELD VP-540
32	1000001905	GEAR,H187S20(B8)
33	21685128	GEAR,H300 S10(B6C16POM)
34	1000003084	FILTER(E),SFT-36SN <span style="border: 1px solid red; padding: 2px;">Revised 1</span>
35	1000002673	GUIDE,CUT CABLE VP-300
	1000002616	GUIDE,CUT CABLE VP-540
36	1000003139	GUIDE,TUBE TYPE2 VP-540
37	1000002603	HOLDER,BACKUP SHAFTSQUARE VP-540
38	1000002666	HOLDER,CABLE VP-300
	1000002562	HOLDER,CABLE VP-540
39	1000001555	HOLDER,IDLE PULLEY XC-540
40	21655131	HOLDER,LINEAR SCALE CJ-70
41	22115121	HOUSING,R-BEARING FRAME FJ-540
42	22535287	LABEL,CAUTION CARRIAGE #LA266
43	1000002971	LABEL,G-ROLLER 170 VP-540 #LA978
44	1000002970	LABEL,G-ROLLER 50 VP-540 #LA977
45	1000002685	LABEL,PINCH ROLL VP-540#LA968
46	1000002196	L-BEARING,SSR15XW1GGE/W2GE+1440L
	1000002145	L-BEARING,SSR15XW1GGE/W2GE+2050L
47	1000002535	LOCK,STAY VP-540
49	1000002581	PLATE,CUT ORIGIN VP-540
50	1000002675	PLATE,HOLDER CABLE VP-300
50	1000002612	PLATE,HOLDER CABLE VP-540
51	22055316	PLATE,LINEAR SCALE CJ-70
52	1000002672	PLATE,RAIL REAR VP-300
	1000002615	PLATE,RAIL REAR VP-540
53	1000002658	RAIL,GUIDE VP-300
	1000002525	RAIL,GUIDE VP-540

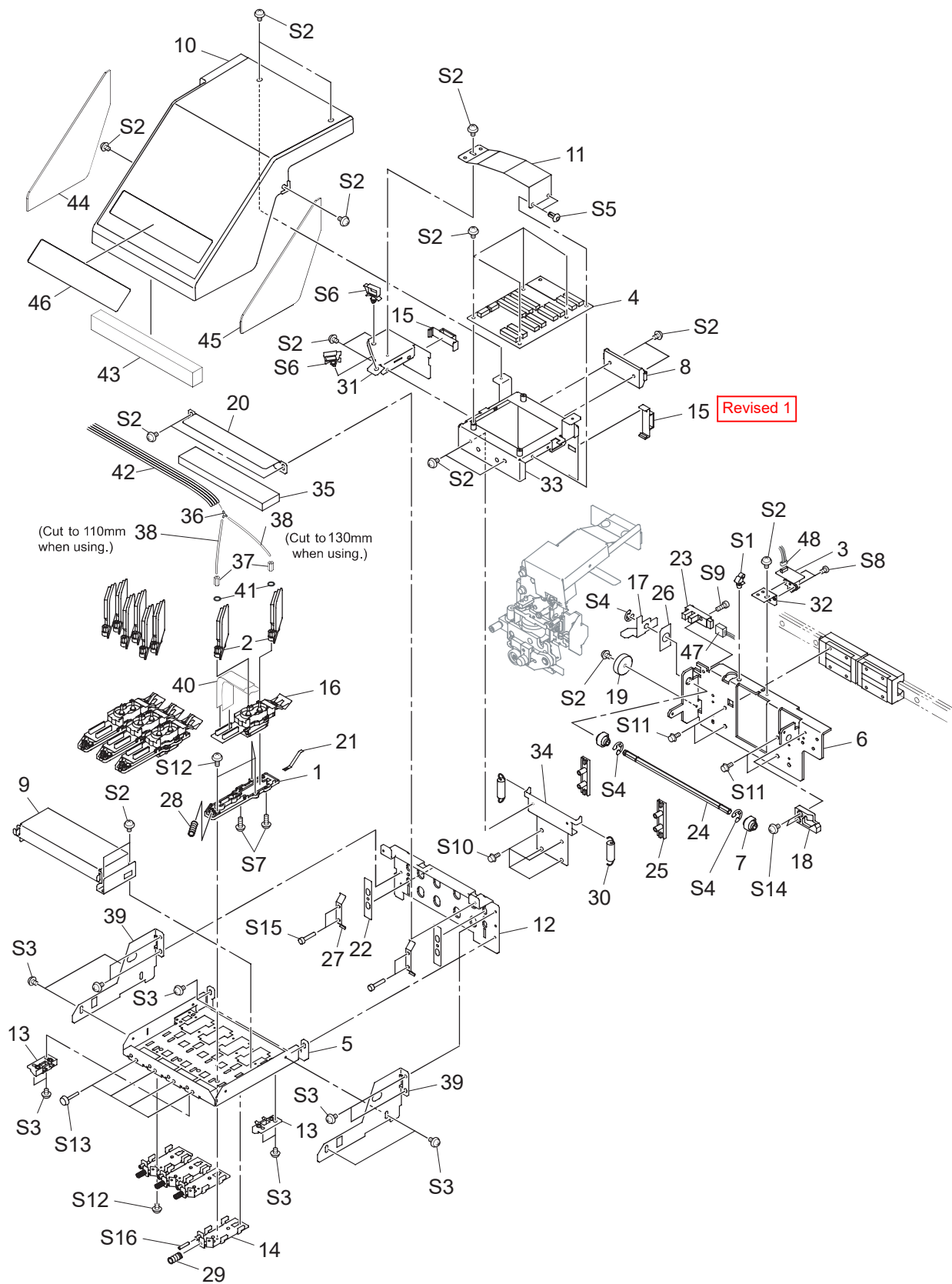
## PARTS LIST -Main Parts-

	Parts No.	Parts Name
54	1000002659	RAIL,LINEAR SCALE VP-300
	1000002543	RAIL,LINEAR SCALE VP-540
55	22175870	R-BEARING JIS 6800ZZ(B7)
56	15229506	SENSOR INTERRUPTER,GP1A05A5
57	1000001480	SHAFT,DRIVE PULLEY XC-540
58	1000003089	SHEET,FRAME SUPPORT RAIL VP-540
59	1000003096	SHEET,HOLDER CABLE VP-540
60	1000001479	SHAFT,IDLE PULLEY XC-540
61	22295117	SHAFT,LOCK CJ-70
62	1000002665	SHEET,LINEAR SCALE VP-300
	1000002544	SHEET,LINEAR SCALE VP-540
63	<del>1000002712</del>	<del>SHEET,RAIL UNDER VP-300</del> <span style="border: 1px solid red; padding: 2px;">Revised 1</span>
	1000002709	SHEET,RAIL UNDER VP-540
64	1000002162	SHEET,ROTARY DISK SLIT 360LPI
65	22185101	SLIDER,LOCK CJ-70
66	7876709020	ASSY,FEED MOTOR SP-540V
67	22175134	SPRING,A CJ-70
68	22175122	SPRING,BACKUP PNC-960
69	22175157	SPRING,C P-ROLLER CM-500
70	1000002596	STAY,G-ENCODER SENSOR VP-540
71	1000002602	STAY,GUIDE FLEX VP-540
72	22715469	STAY,HOLD SHAFT SQUARE SP-500
73	1000002597	STAY,RAILGUIDE L VP-540
74	1000002534	STAY,SHAFT DRIVE PULLEY VP-540
75	1000002554	STAY,SUPPORT RAIL L VP-540
76	22135346	STOPPER,CAM CM-500 <span style="border: 1px solid red; padding: 2px;">Revised 1</span>
77	1000002594	STOPPER,GRIT-ENCORDER VP-540
78	22135439	STOPPER,LINEAR SCALE FJ-540
79	1000003036	SUPPORT, CABLE
80	1000002617	SUPPORT,GUIDE CABLE VP-540

## PARTS LIST -Supplemental Parts-

	Parts No.	Parts Name
S1	31029101	BUSH,NB-19
S2	31029106	BUSH,SQUARE SB-6025
S3	31329501	CLAMP SET,PUSH MOUNT RT30SSF5 20P
S4	3000000033	CLAMP,WIRE PLESS RFC-45VO
S5	31289111	CUPSCREW SET, M4*6 NI 100 PCS.
S6	31289112	CUPSCREW SET,M3*10 NI 100 PCS.
S7	31289109	CUPSCREW SET,M3*4 NI 100 PCS.
S8	31289102	CUPSCREW SET,M3*6 NI 50 PCS.
S9	31119904	PIN,SPRING 2.5*8 SUS STRAIGHT 50 PCS
S10	31129102	PIPE,POLYCA 4*8*10
S11	31149704	RING SET,E-RING ETW-6 SUS 100 PCS
S12	31299102	RIVET SET,NYLON P2655B 20 PCS.
S13	31409702	SADDLE,LOCKING EDGE LES-1010
S14	31409801	SADDLE,LOCKING WIRE LWS-0711Z 20
S15	31019149	SCREW SET,BINDING M2.3*8 3C 100PCS
S16	31049155	SCREW SET,CAP M3*12 BC+PW 20 PCS.
S17	31049171	SCREW SET,CAP M3*12 NI 50 PCS.
S18	31049170	SCREW SET,CAP M3*8 NI 50 PCS.
S19	31049173	SCREW SET,CAP M4*10 NI 50 PCS.
S20	31049174	SCREW SET,CAP M4*15 NI 20 PCS.
S21	31049137	SCREW SET,CAP M4*25 3CBC 20 PCS
S22	31049169	SCREW SET,CAP M4*8 3CBC+PW 20PCS
S23	31199701	SCREW SET,SET WP M3*3 NI 20 PCS
S24	31229103	SCREW SET,TRUSS M2*6 NI 100 PCS
S25	31239103	SCREW SET,W-SEMS M3*8 NI+PW 50 PCS
S26	31019703	SCREW,BINDING P-TIGHT 3*8BC 100P
S27	31049117	SCREW,CAP M4*12 NI+PW 4*9*0.8
S28	31069104	SCREW,CAP M4*6+FL NI

# 1-4 HEAD CARRIAGE (VP-540)





## 1-4 HEAD CARRIAGE (VP-540)

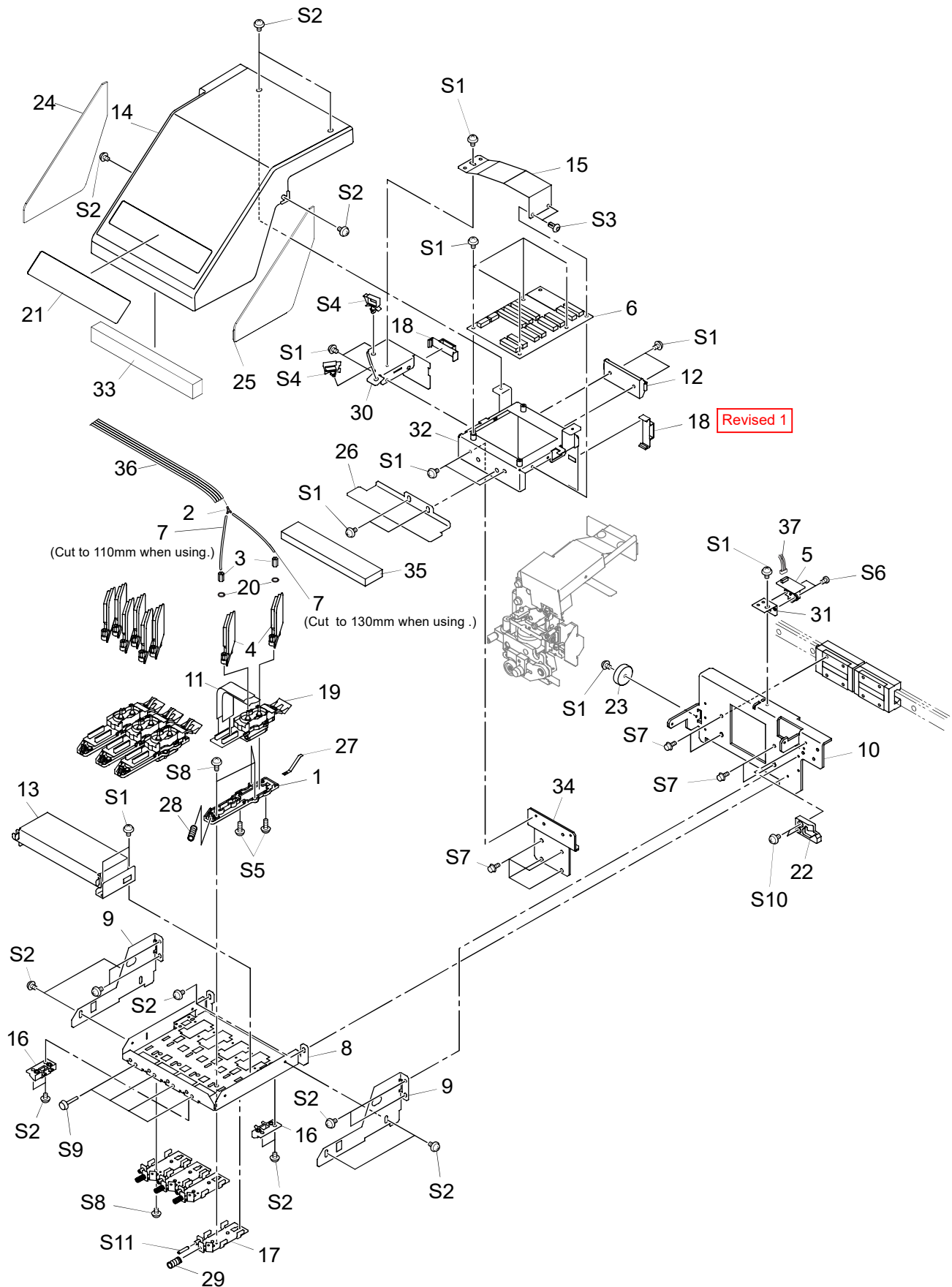
### PARTS LIST -Main Parts-

	Parts No.	Parts Name
1	21905166	ADAPTER,HEAD FJ-540
2	6085393800	ASSY,INK DAMPER L 3FAI 4 SJ-1000
3	W700461130	ASSY,LINEAR ENCODER BOARD VP-540
4	W700461110	ASSY,PRINT CARRIAGE BOARD VP-540
5	1000002519	BASE,CARRIAGE AL VP-540
6	1000002520	BASE,HOLDER CARRIAGE VP-540
7	21775103	CAM,CARRIAGE FJ-540
8	11769118	CLAMP,FCM2-S6-14
9	1000002588	COVER,HEAD BOARD VP-540
10	1000002632	COVER,PRINT CARRIAGE VP-540
11	1000002652	COVER,PRINT JUNCTION VP-540
12	1000002523	FRAME,CARRIAGE U/D VP-540
13	1000003076	GUIDE,CARRIAGE CAP VP-540
14	22135440	GUIDE,HEAD AL FJ-540
15	1000003139	GUIDE,TUBE TYPE2 VP-540
16	1000002201	ASSY,HEAD INKJET SOL XC-540
17	1000002587	LEVER,CARRIAGE VP-540
18	21345105	LOCK,CJ-500
19	22395108	MAGNET,CJ-500
20	1000002586	PLATE,DAMPER VP-540
21	22055547	PLATE,GND FJ-540
22	22055548	PLATE,SLIDER CARRIAGE FJ-540
23	15229506	SENSOR INTERRUPTER,GP1A05A5
24	1000002521	SHAFT,HEXAGON CARRIAGE VP-540
25	22185127	SLIDER,CARRIAGE FJ-540
26	1000002623	SPACER,U/D LEVER VP-540
27	22175159	SPRING,CARRIAGE SIDE FJ-50
28	22175520	SPRING,HEAD ADJUST 500 FJ-540
29	22175519	SPRING,HEAD PRESS 500 FJ-540
30	22625109	SPRING,PULL CARRIAGE 3500 FJ-540
31	1000002622	STAY,CARRIAGE TUBE VP-540
32	1000000417	STAY,ENCORDER SENSOR SP-540V
33	1000002524	STAY,HOLDER CARRIAGE BOARD VP-540
34	1000002522	SUPPORT,CARRIAGE BOARD VP-540
35	1000002643	SUPPORT,DAMPER VP-540
36	1000002679	ADAPTER,JUNCTION VPY306
37	11909167	ADAPTER,SCREW 3FAI FJ-540
38	1000003136	ASSY,TUBING 3*150MM VP-540
39	1000003032	BASE,CARRIAGE SIDE AL VP-540
40	23475206	CABLE-CARD 21P1 330L BB
41	11659249	HOLDER,RING O 3FAI FJ-540
42	1000002681	TUBE,SJ-RDG3*4 4LINK VP-540
43	1000003031	SUPPORT,ADJUST SCREW VP-540
44	1000003075	PAD,PRINT CARRIAGE L VP-540
45	1000003074	PAD,PRINT CARRIAGE R VP-540
46	1000002753	LABEL,READ MANUAL VP-540#LA969
47	1000002171	CABLE-ASSY,HEAD U/D SENSOR VP-540
48	1000002174	CABLE-ASSY,LINEAR ENCODER VP-540

### PARTS LIST -Supplemental Parts-

	Parts No.	Parts Name
S1	31329601	CLAMP SET,INSULOK T-18S 100 PCS.
S2	31289109	CUPSCREW SET,M3*4 NI 100 PCS.
S3	31289102	CUPSCREW SET,M3*6 NI 50 PCS.
S4	31149703	RING SET,E-RING ETW-4 100 PCS.
S5	31299102	RIVET SET,NYLON P2655B 20 PCS.
S6	31409801	SADDLE,LOCKING WIRE LWS-0711Z 20
S7	31679902	SCREW SET C-SEMS M2*8 NI 100 PCS
S8	31019148	SCREW SET,BINDING M2.6*4 NI 100 PCS
S9	31049173	SCREW SET,CAP M4*10 NI 50 PCS.
S10	31049169	SCREW SET,CAP M4*8 3CBC+PW 20PCS
S11	31049169	SCREW SET,CAP M4*8 3CBC+PW 20PCS
S12	31089121	SCREW SET,PAN M2.3*8 NI+PW 100PCS
S13	31179908	SCREW SET,UREA M3*20 N-1 WH 50PCS
S14	31239125	SCREW SET,W-SEMS M3*8 SUS 50 PCS.
S15	31799103	SCREW,CAP M3*15 NI
S16	31199905	SCRW SET,SET CONE M3*16 NI 20 PCS

# 1-5 HEAD CARRIAGE (VP-300)





# 1-5 HEAD CARRIAGE (VP-300)

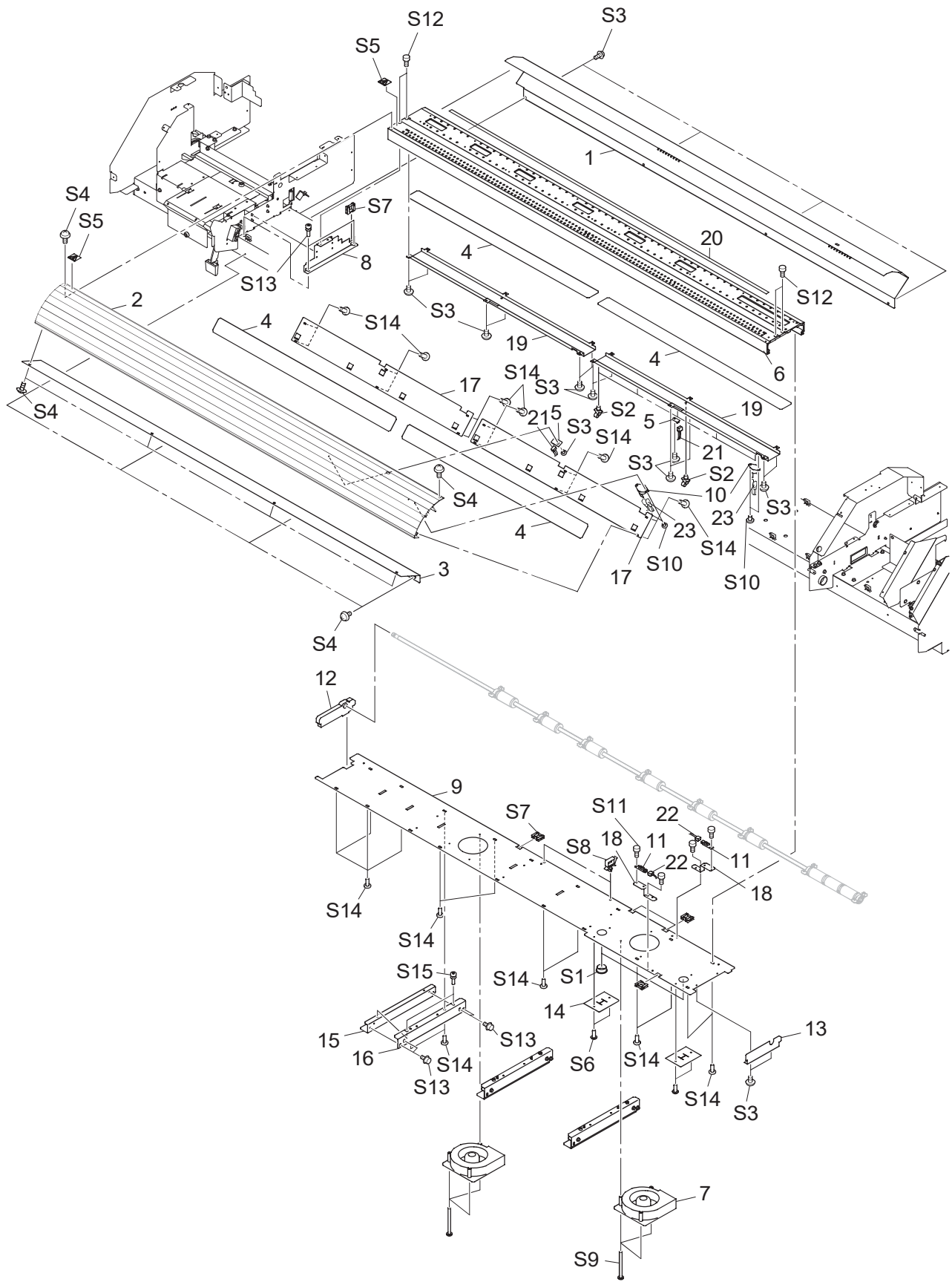
## PARTS LIST -Main Parts-

	Parts No.	Parts Name
1	21905166	ADAPTER,HEAD FJ-540
2	1000002679	ADAPTER,JUNCTION VPY306
3	11909167	ADAPTER,SCREW 3FAI FJ-540
4	6085393800	ASSY,INK DAMPER L 3FAI 4 SJ-1000 <span style="border: 1px solid red; padding: 2px;">Revised 1</span>
5	W700461130	ASSY,LINEAR ENCODER BOARD VP-540
6	W700461110	ASSY,PRINT CARRIAGE BOARD VP-540
7	1000003136	ASSY,TUBING 3*150MM VP-540
8	1000002661	BASE,CARRIAGE AL VP-300
9	1000003032	BASE,CARRIAGE SIDE AL VP-540
10	1000002662	BASE,HOLDER CARRIAGE VP-300
11	23475206	CABLE-CARD 21P1 330L BB
12	11769118	CLAMP,FCM2-S6-14
13	1000002588	COVER,HEAD BOARD VP-540
14	1000002632	COVER,PRINT CARRIAGE VP-540
15	1000002652	COVER,PRINT JUNCTION VP-540
16	22135618	GUIDE,CARRIAGE CAP FJ-540
17	22135440	GUIDE,HEAD AL FJ-540
18	1000003139	GUIDE,TUBE TYPE2 VP-540 <span style="border: 1px solid red; padding: 2px;">Revised 1</span>
19	1000002201	ASSY,HEAD INKJET SOL XC-540
20	11659249	HOLDER,RING O 3FAI FJ-540
21	1000002753	LABEL,READ MANUAL VP-540#LA969
22	21345105	LOCK,CJ-500
23	22395108	MAGNET,CJ-500
24	1000003075	PAD,PRINT CARRIAGE L VP-540
25	1000003074	PAD,PRINT CARRIAGE R VP-540
26	1000002664	PLATE,DAMPER VP-300
27	22055547	PLATE,GND FJ-540
28	22175520	SPRING,HEAD ADJUST 500 FJ-540
29	22175519	SPRING,HEAD PRESS 500 FJ-540
30	1000002622	STAY,CARRIAGE TUBE VP-540
31	1000000417	STAY,ENCORDER SENSOR SP-540V
32	1000002524	STAY,HOLDER CARRIAGE BOARD VP-540
33	1000003031	SUPPORT,ADJUST SCREW VP-540
34	1000002663	SUPPORT,CARRIAGE BOARD VP-300
35	1000002643	SUPPORT,DAMPER VP-540
36	1000002670	TUBE,SJ-RDG3*4 4LINK VP-300
37	1000002174	CABLE-ASSY,LINEAR ENCODER VP-540

## PARTS LIST -Supplemental Parts-

	Parts No.	Parts Name
S1	31289109	CUPSCREW SET,M3*4 NI 100 PCS.
S2	31289102	CUPSCREW SET,M3*6 NI 50 PCS.
S3	31299102	RIVET SET,NYLON P2655B 20 PCS.
S4	31409801	SADDLE,LOCKING WIRE LWS-0711Z 20
S5	31679902	SCREW SET C-SEMS M2*8 NI 100 PCS
S6	31019148	SCREW SET,BINDING M2.6*4 NI 100 PCS
S7	31049169	SCREW SET,CAP M4*8 3CBC+PW 20PCS
S8	31089121	SCREW SET,PAN M2.3*8 NI+PW 100PCS
S9	31179908	SCREW SET,UREA M3*20 N-1 WH 50PCS
S10	31239125	SCREW SET,W-SEMS M3*8 SUS 50 PCS.
S11	31199905	SCRW SET,SET CONE M3*16 NI 20 PCS

# 1-6 BASE FRAME



# 1-6 BASE FRAME

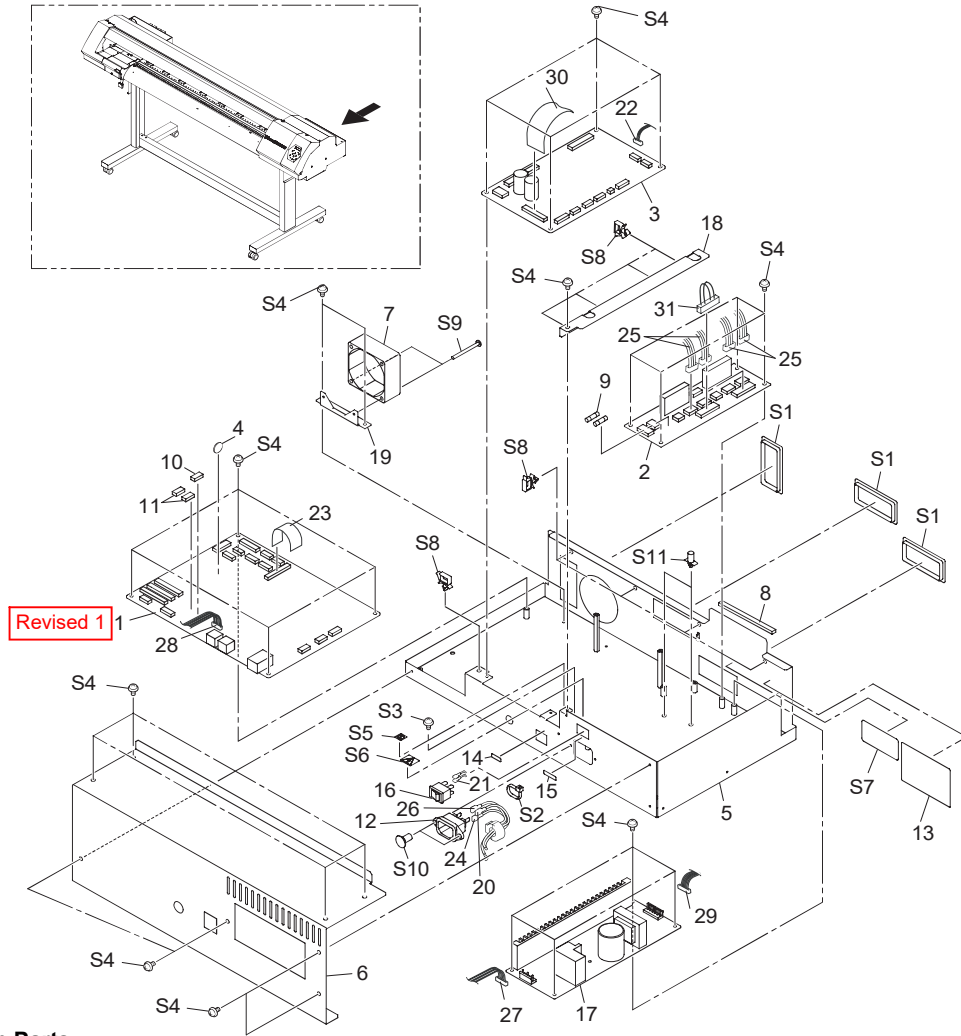
## PARTS LIST -Main Parts-

	Parts No.	Parts Name
1	1000002654	APRON,B VP-300
	1000002553	APRON,B VP-540
2	1000002152	APRON,F AL VP-300
	1000002148	APRON,F AL VP-540
3	1000002655	APRON,F UNDER VP-300
	1000002542	APRON,F UNDER VP-540
4	1000002166	ASSY,CORD HEATER VP-300
	1000002165	ASSY,CORD HEATER VP-540
5	W700461270	ASSY,THERMISTOR BOARD VP-540
6	1000002151	BED,VP-300
	1000002147	BED,VP-540
7	1000000764	FAN,A35577-55ROL
8	1000002584	FRAME,SIDE BED L VP-540
9	1000002657	PLATE,SHUTTER VP-300
	1000002541	PLATE,SHUTTER VP-540
10	15099124	SENSOR,US-602SXTLAS 65OFF 50ON
11	15099115	SENSOR-INTERRUPTER GP2A25NJ
12	1000002600	SHUTTER,BED L VP-540
13	1000002599	SHUTTER,BED R VP-540
14	21625103	SHUTTER,HEATER CORD SP-300
15	1000002582	SPACER,BED LOWER VP-540
16	1000002583	SPACER,BED UPPER VP-540
17	1000002669	STAY,DRY HEATER VP-300
	1000002606	STAY,DRY HEATER VP-540
18	1000002585	STAY,PAPER SENSOR VP-540
19	1000002668	STAY,PRINT HEATER VP-300
	1000002590	STAY,PRINT HEATER VP-540
20	1000002656	PAD,CUTTER VP-300
	1000002598	PAD,CUTTER VP-540
21	1000002181	CABLE-ASSY,THERMISTOR VP-540
22	1000002175	CABLE-ASSY,PAPER SENSOR VP-540
23	1000002184	CABLE-ASSY,THERMOSTAT VP-540

## PARTS LIST -Supplemental Parts-

	Parts No.	Parts Name
S1	31029101	BUSH,NB-19
S2	31329501	CLAMP SET,PUSH MOUNT RT30SSF5 20P
S3	31289109	CUPSCREW SET,M3*4 NI 100 PCS.
S4	31289102	CUPSCREW SET,M3*6 NI 50 PCS.
S5	31279106	LABEL,CAUTION HOT SURF NO.778
S6	31299102	RIVET SET,NYLON P2655B 20 PCS.
S7	31409702	SADDLE,LOCKING EDGE LES-1010
S8	31409801	SADDLE,LOCKING WIRE LWS-0711Z 20
S9	31019124	SCREW SET,BINDING M3*35 NI 50 PCS
S10	31019115	SCREW SET,BINDING M3*4 3CBC 100 PCS
S11	31049170	SCREW SET,CAP M3*8 NI 50 PCS.
S12	31049173	SCREW SET,CAP M4*10 NI 50 PCS.
S13	31049169	SCREW SET,CAP M4*8 3CBC+PW 20PCS
S14	31019703	SCREW,BINDING P-TIGHT 3*8BC 100P
S15	31179106	SCREW,JACK UP SP-540V

# 1-7 CHASSIS



## PARTS LIST -Main Parts-

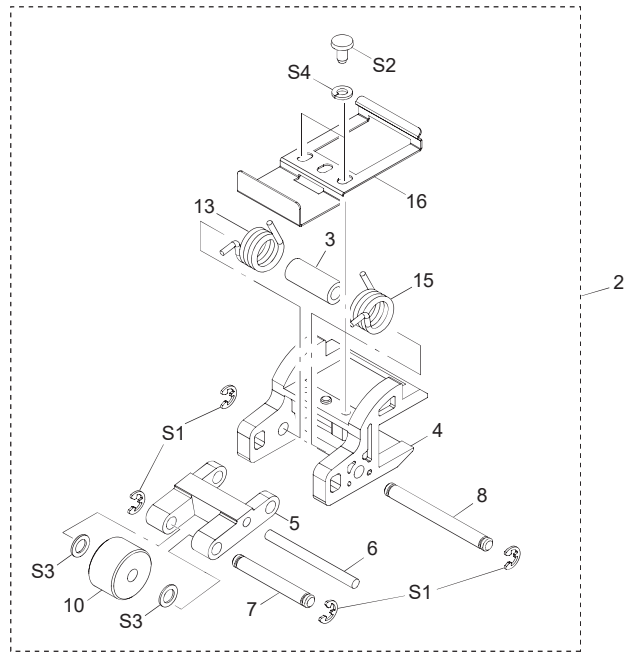
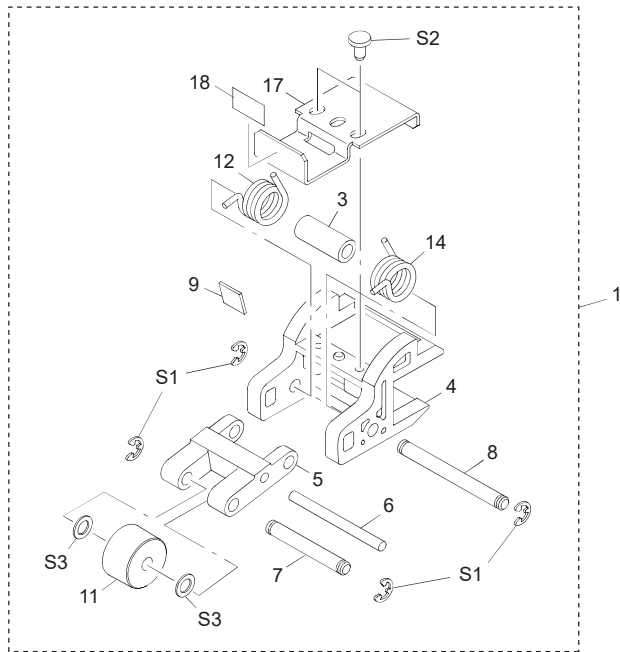
Parts No.	Parts Name
1	6700469010 ASSY,MAIN BOARD VP-540 <span style="border: 1px solid red; padding: 2px;">Revised 1</span>
2	W700461220 ASSY,POWER BOARD VP-540
3	1000002144 ASSY,SERVO BOARD VP-540
4	15009101 BATTERY CR2032
5	1000002559 CHASSIS,VP-540
6	1000002633 COVER,CHASSIS VP-540
7	1000000012 FAN,109R0624H459
8	1000003085 FILTER(E),CHASSIS SHIELD VP-540
9	12559105 FUSE
10	1000003014 FUSE,154002.DR
11	1000003015 FUSE,1543.15DR
12	13429702 INLET AC P01CF01 15A250V
13	22535257 LABEL,CAUTION VOLTAGE #LA167
14	1000002682 LABEL,LAN VP-540#LA964
15	22535117 LABEL,POWER CM-500 NO.893
16	13129170 POWER SW AJ7201B
17	12429114 POWER UNIT,ZWS150PAF-36J
18	1000002579 STAY,CABLE VP-540
19	1000002566 STAY,CHASSIS FAN VP-540
20	1000002189 CABLE-ASSY,JUNBI A VP-540
21	23415116 CABLE ASSY,JUNBI D SP-300
22	23415117 CABLE ASSY,POWER MAIN SP-300
23	23475197 CABLE CARD 25P1 105L BB FJ-540
24	23415268 CABLE-ASSY AC GROUND GREEN SP-540

Parts No.	Parts Name
25	1000002755 CABLE-ASSY,HEATER VP-300
	1000002183 CABLE-ASSY,HEATER VP-540
26	1000002190 CABLE-ASSY,JUNBI B VP-540
27	1000002173 CABLE-ASSY,JUNBI E VP-540
28	1000002177 CABLE-ASSY,POWER SERVO VP-540
29	1000002180 CABLE-ASSY,RELAY JUNCTION VP-540
30	23475216 CABLE-CARD,40P1 1400L BB (For VP-300)
	23475237 CABLE-CARD,40P1 2070L BB HIGH-V (For VP-540)
31	1000002044 CABLE-ASSY,117V SELECTOR XC-540 (For 117V)
	1000002043 CABLE-ASSY,230V SELECTOR XC-540 (For 230V)

## PARTS LIST -Supplemental Parts-

Parts No.	Parts Name
S1	31029106 BUSH,SQUARE SB-6025
S2	31329601 CLAMP SET,INSULOK T-18S 100 PCS.
S3	31289111 CUPSCREW SET, M4*6 NI 100 PCS.
S4	31289109 CUPSCREW SET,M3*4 NI 100 PCS.
S5	31279116 LABEL,EARTH MARK-1 NO.E-580
S6	31279121 LABEL,FLASH-LIGHTING NO.E-582
S7	31279191 LABEL,WARNING FUSE REPLACE #347
S8	31409801 SADDLE,LOCKING WIRE LWS-0711Z 20
S9	31019124 SCREW SET,BINDING M3*35 NI 50 PCS
S10	31169103 SCREW SET,FLAT M3*6 3CBC 100 PCS
S11	31369102 SPACER,PCB SUPPORT PCB-8S

# 1-8 PINCH ROLLER



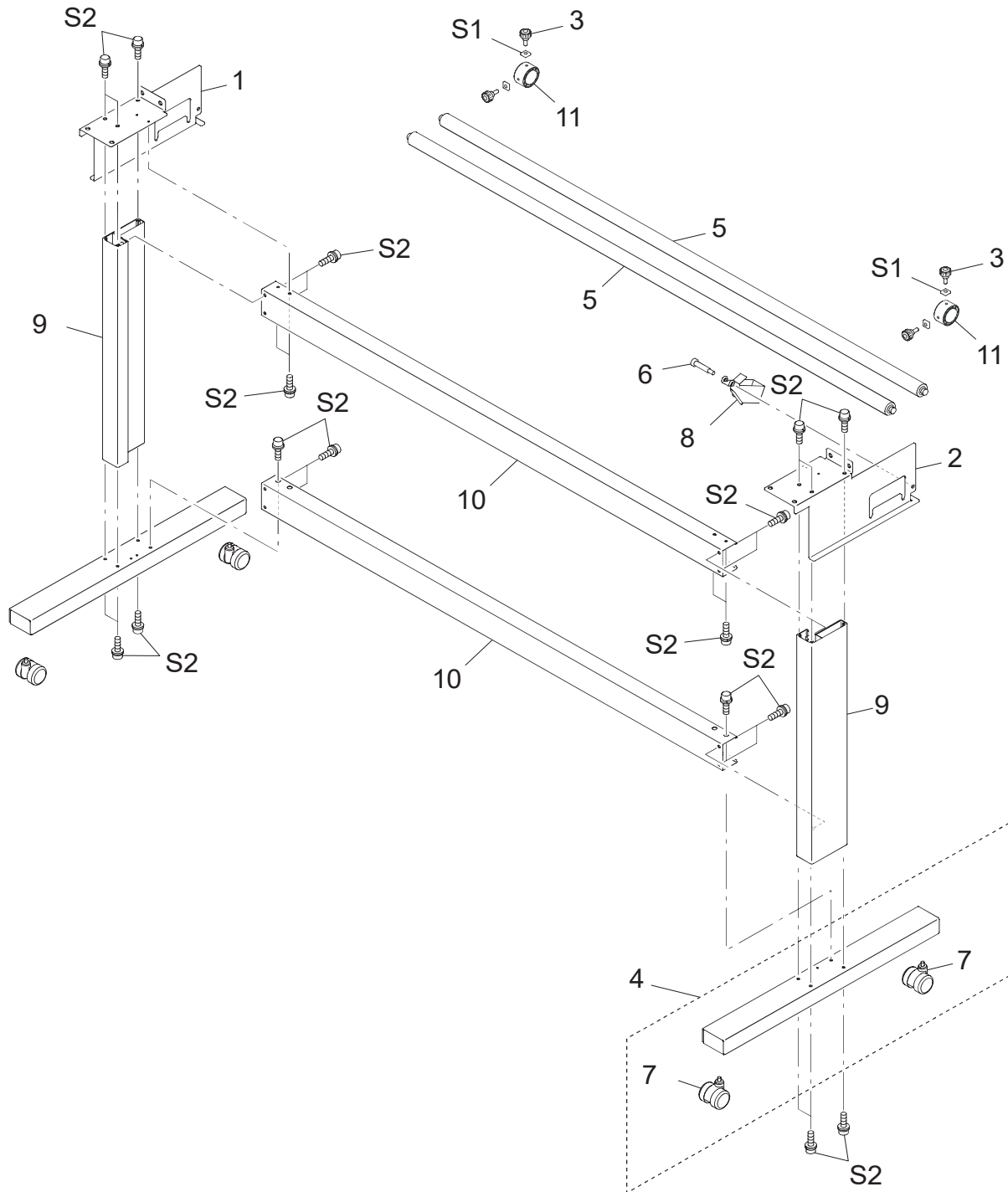
## PARTS LIST -Main Parts-

	Parts No.	Parts Name
1	6700460210	ASSY,PINCHROLL L VP-540
	6700460220	ASSY,PINCHROLL R VP-540
2	6700460300	ASSY,PINCHROLL C VP-540
3	21745101	COLLAR,P-ROLLER PNC-960
4	22195153	FRAME,PINCH ROLL SP-540V
5	22145416	LEVER,P-ROLLER PNC-960
6	11539104	PIN 3*35 SUS M6
7	22145831	PIN NO.1 (214-831)
8	22145832	PIN NO.2 214-832
9	22055264	PLATE,GUIDE P PNC-960
10	21565103	P-ROLLER FD16S4(B10) TYPE2
11	21565102	P-ROLLER TD16S4(B10) TYPE2
12	22625101	SPRING,PINCH LEFT SP-300
13	1000002648	SPRING,PINCH LEFT VP-540
14	22625102	SPRING,PINCH RIGHT SP-300
15	1000002649	SPRING,PINCH RIGHT VP-540
16	22715461	STAY,PINCH CENTER SP-540V
17	1000003028	STAY,PINCH SENSOR VP-540
18	1000002973	LABEL,PINCH SENSOR VP-540 #LA979

## PARTS LIST -Supplemental Parts-

	Parts No.	Parts Name
S1	31149702	RING SET,E-RING ETW-3 100 PCS.
S2	31019702	SCREW SET,BIND P-TIGHT M3*6 3C 100P
S3	31249211	WASHER SET,PLAIN 4.3*7*0.5 C 100P
S4	31249303	WASHER SET,SPRING M3 NI 100 PCS

# 1-9 STAND



## PARTS LIST -Main Parts-

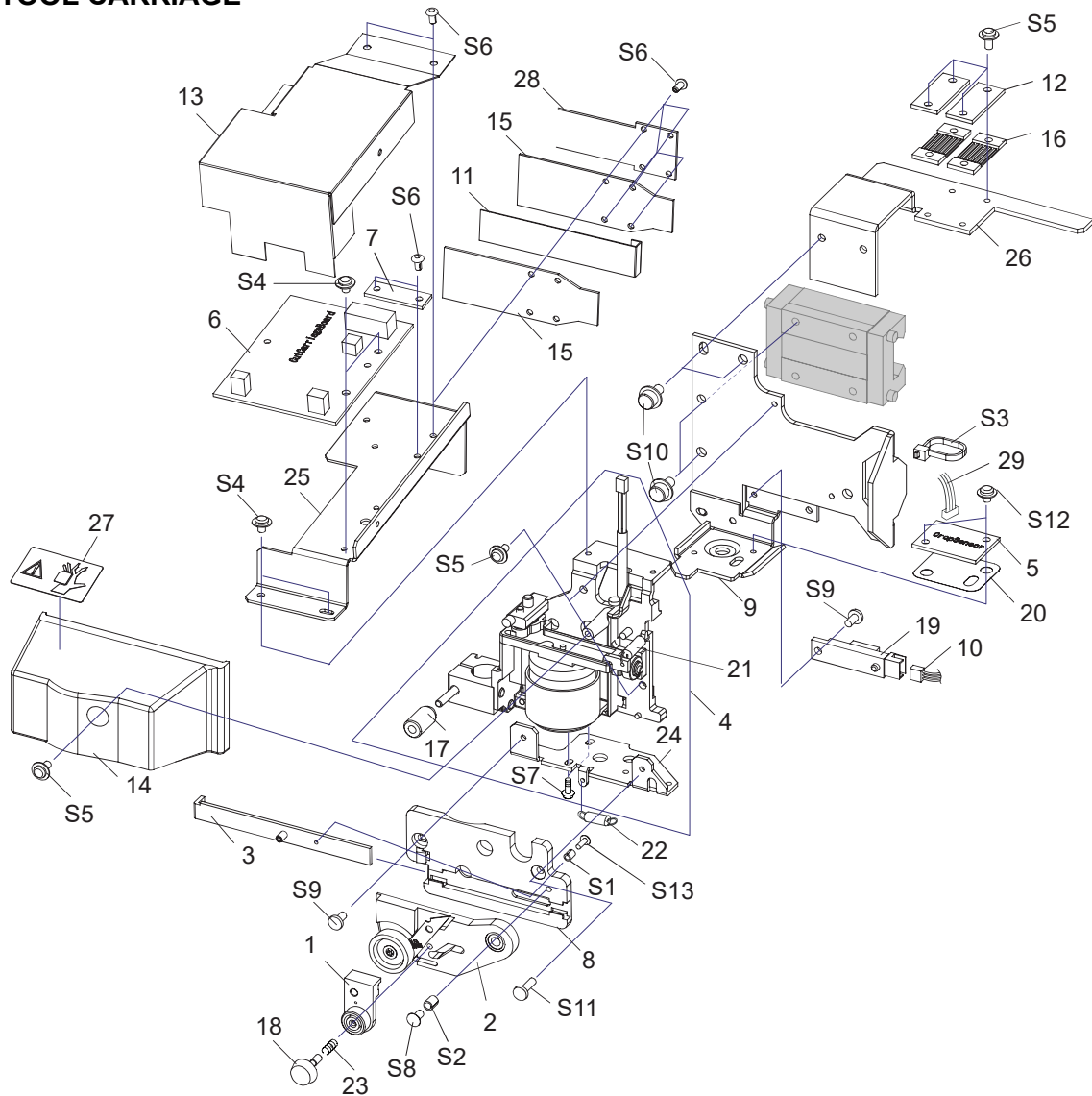
Parts No.	Parts Name
1	1000002578 ARM,L VP-540
2	1000002577 ARM,R VP-540
3	7498805000 ASSY STOPPER SCREW PNS-501
4	1000002636 ASSY,BASE STAND VP-540
5	1000002153 ASSY,SHAFT SHEET VP-300
	1000001611 ASSY,SHAFT SHEET XC-540
6	21815106 BOLT,SHOULDER PNS-501
7	12329505 CASTER,BWS-50BN
8	1000002618 LEVER,BRAKE VP-540

Parts No.	Parts Name
9	1000002149 STAND,LEG VP-540
10	1000002678 STAY,STAND VP-300
	1000002635 STAY,STAND VP-540
11	1000001579 STOPPER,SHAFT POM XC-540

## PARTS LIST -Supplemental Parts-

Parts No.	Parts Name
S1	3000000036 NUT SET,SQUARE M5 8.5*8.5*2.3 3C
S2	31049157 SCREW,CAP M6*20 BC+PW+SW

# 1-10 TOOL CARRIAGE



## PARTS LIST -Main Parts-

Parts No.	Parts Name
1	22805292 ASSY, CLAMP BLADE CM-500
2	22805291 ASSY, HOLDER BLADE CM-500
3	22805287 ASSY, PLATE CAM SLIDE CM-500
4	22805571 ASSY,CARRIAGE SP-300
5	W700461250 ASSY,CROP SENSOR BOARD VP-540
6	W700461120 ASSY,CUT CARRIAGE BOARD VP-540
7	W700461290 ASSY,FLEX1 VP-540
8	7488739000 BASE CUTTER CJ-500
9	1000002530 BASE,CUT CARRIAGE VP-540
10	1000002185 CABLE-ASSY,PINCH SENSOR VP-540
11	23475207 CABLE-CARD,15P1 1900L BB (For VP-300)
	23475238 CABLE-CARD,15P1 2570L BB HIGH-V (For VP-540)
12	22025646 COVER,BELT HOLDER EGX-600
13	1000002570 COVER,CARRIAGE BOARD VP-540
14	22025269 COVER,CARRIAGE CM-500
15	1000002667 GUIDE,CABLE FLEX-CUT VP-300
	1000002591 GUIDE,CABLE FLEX-CUT VP-540
16	21655232 HOLDER,BELT EGX-600
17	22285503 NUT,PENHOLDER
18	21495115 SCREW,BLADE SET CM-500
19	15099115 SENSOR-INTERRUPTER GP2A25NJ
20	21475148 SHEET,FILTER CROP CJ-500
21	22175122 SPRING,BACKUP PNC-960
22	22175154 SPRING,BLADE UP CM-500

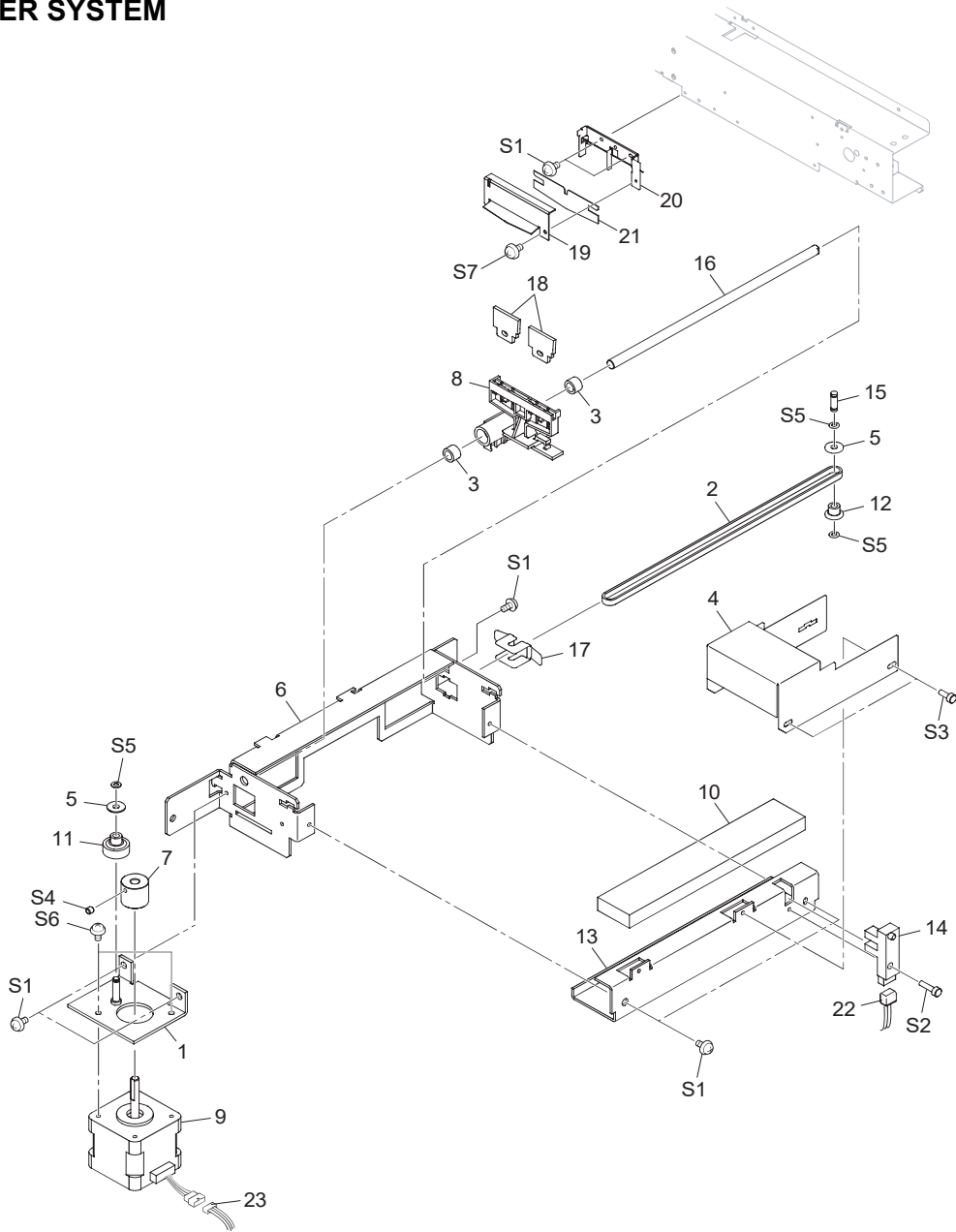
Parts No.	Parts Name
23	22175155 SPRING,SCREW CM-500
24	22715168 STAY,AUTO CUTTER 2 CM-500
25	1000002531 STAY,CUT CARRIAGE BOARD VP-540
26	1000002540 STAY,HOLDER BELT VP-540
27	22535287 LABEL,CAUTION CARRIAGE #LA266
28	1000002674 PLATE,CABLE CUT VP-300
	1000002613 PLATE,CABLE CUT VP-540
29	1000002187 CABLE-ASSY,CROP SENSOR VP-540

## PARTS LIST -Supplemental Parts-

Parts No.	Parts Name
S1	31029801 BUSH SET,ROLL 2*4 100PCS
S2	31029803 BUSH SET,ROLL 3*5 20 PCS.
S3	31329601 CLAMP SET,INSULOK T-18S 100 PCS.
S4	31289109 CUPSCREW SET,M3*4 NI 100 PCS.
S5	31289102 CUPSCREW SET,M3*6 NI 50 PCS.
S6	31299102 RIVET SET,NYLON P2655B 20 PCS.
S7	31019112 SCREW SET,BINDING M2.6*4BC 100PCS
S8	31019118 SCREW SET,BINDING M3*10 3CBC 100PCS
S9	31019116 SCREW SET,BINDING M3*6 3CBC 100 PCS
S10	31069104 SCREW,CAP M4*6+FL NI
S11	31169103 SCREW SET,FLAT M3*6 3CBC 100 PCS
S12	31089110 SCREW SET,PAN M3*4 NI+PW 100 PCS
S13	31229103 SCREW SET,TRUSS M2*6 NI 100 PCS



# 1-11 WIPER SYSTEM



## PARTS LIST -Main Parts-

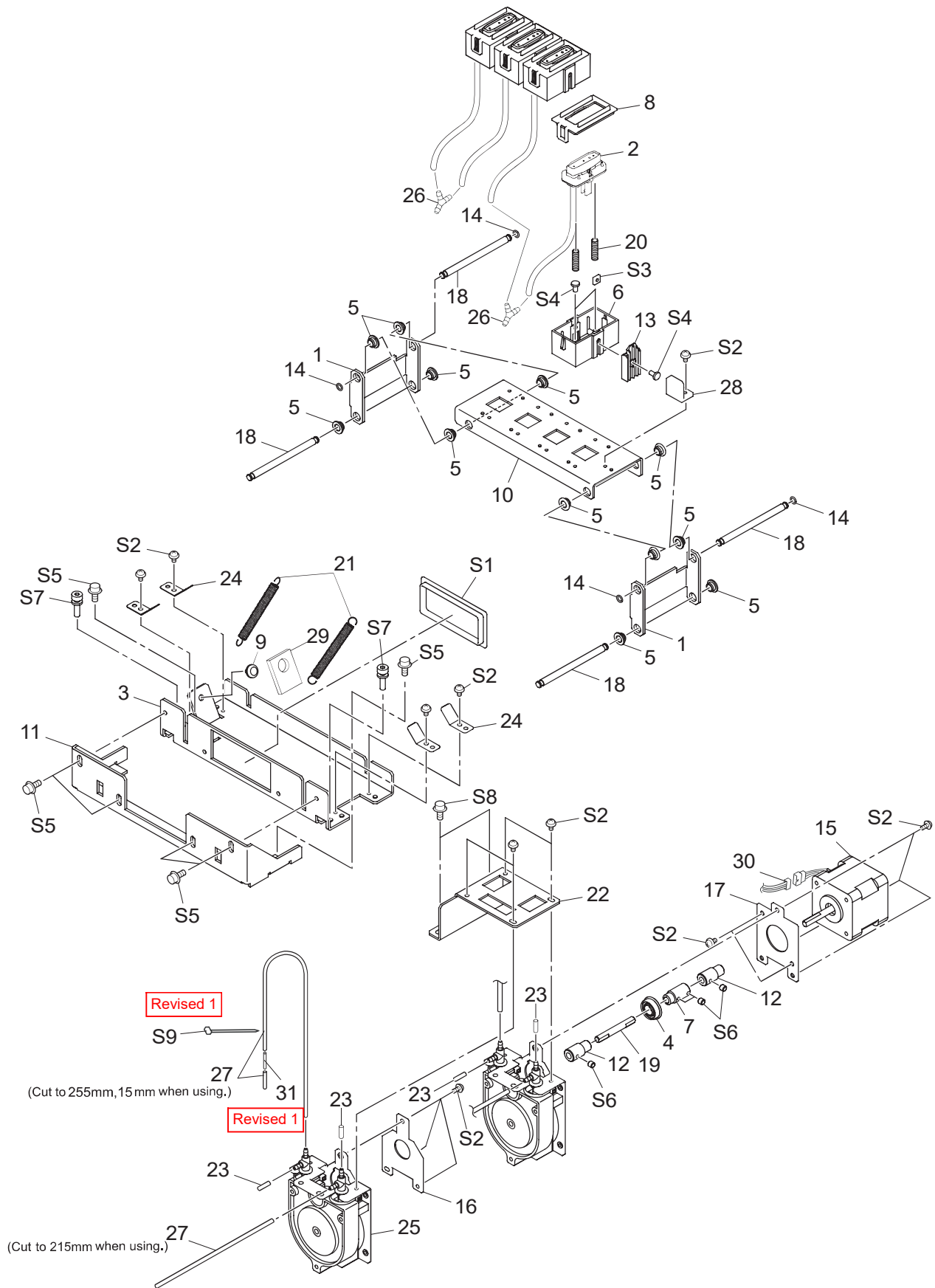
Parts No.	Parts Name
1	1000002576 BASE,WIPER MOTOR VP-540
2	11929138 BELT,408P2M4-530
3	12159536 BUSH,B-S6-17
4	1000002572 COVER,WIPE VP-540
5	21995104 FLANGE,PULLEY STX-7
6	1000002574 FRAME,WIPER VP-540
7	21685144 GEAR,S53S5(B15) FJ-540
8	21655245 HOLDER,WIPER FJ-540
9	22435106 MOTOR,103-593-1041
10	21545160 PAD,WIPER TRAY SJ-540
11	21975124 PULLEY,T14P2S4 + GEAR,S53
12	21975123 PULLEY,WD6.94S9
13	1000002575 RAIL,GUIDE WIPER VP-540
14	15229506 SENSOR INTERRUPTER,GP1A05A5
15	22295132 SHAFT,IDLE PULLEY STX-7
16	22155961 SHAFT,WIPER FJ-540
17	22175140 SPRING,TENSIONER STX-7

Parts No.	Parts Name
18	11379105 WIPER,HEAD ASP FJ-50
19	1000002573 COVER,SCRAPER VP-540
20	1000002571 HOLDER,SCRAPER VP-540
21	1000001658 WIPER,SCRAPER XC-540
22	1000002186 CABLE-ASSY,WIPER SENSOR VP-540
23	1000002182 CABLE-ASSY,WIPER MOTOR VP-540

## PARTS LIST -Supplemental Parts-

Parts No.	Parts Name
S1	31289109 CUPSCREW SET,M3*4 NI 100 PCS.
S2	31049171 SCREW SET,CAP M3*12 NI 50 PCS.
S3	31049170 SCREW SET,CAP M3*8 NI 50 PCS.
S4	31199701 SCREW SET,SET WP M3*3 NI 20 PCS
S5	31249952 WASHER SET,POLYSLIDER 2.6*5*.5 CUT 20PCS
S6	31289102 CUPSCREW SET,M3*6 NI 50 PCS.
S6	31289102 CUPSCREW SET,M3*6 NI 50 PCS.
S7	31289112 CUPSCREW SET,M3*10 NI 100 PCS.

# 1-12 PUMP SYSTEM



# 1-12 PUMP SYSTEM

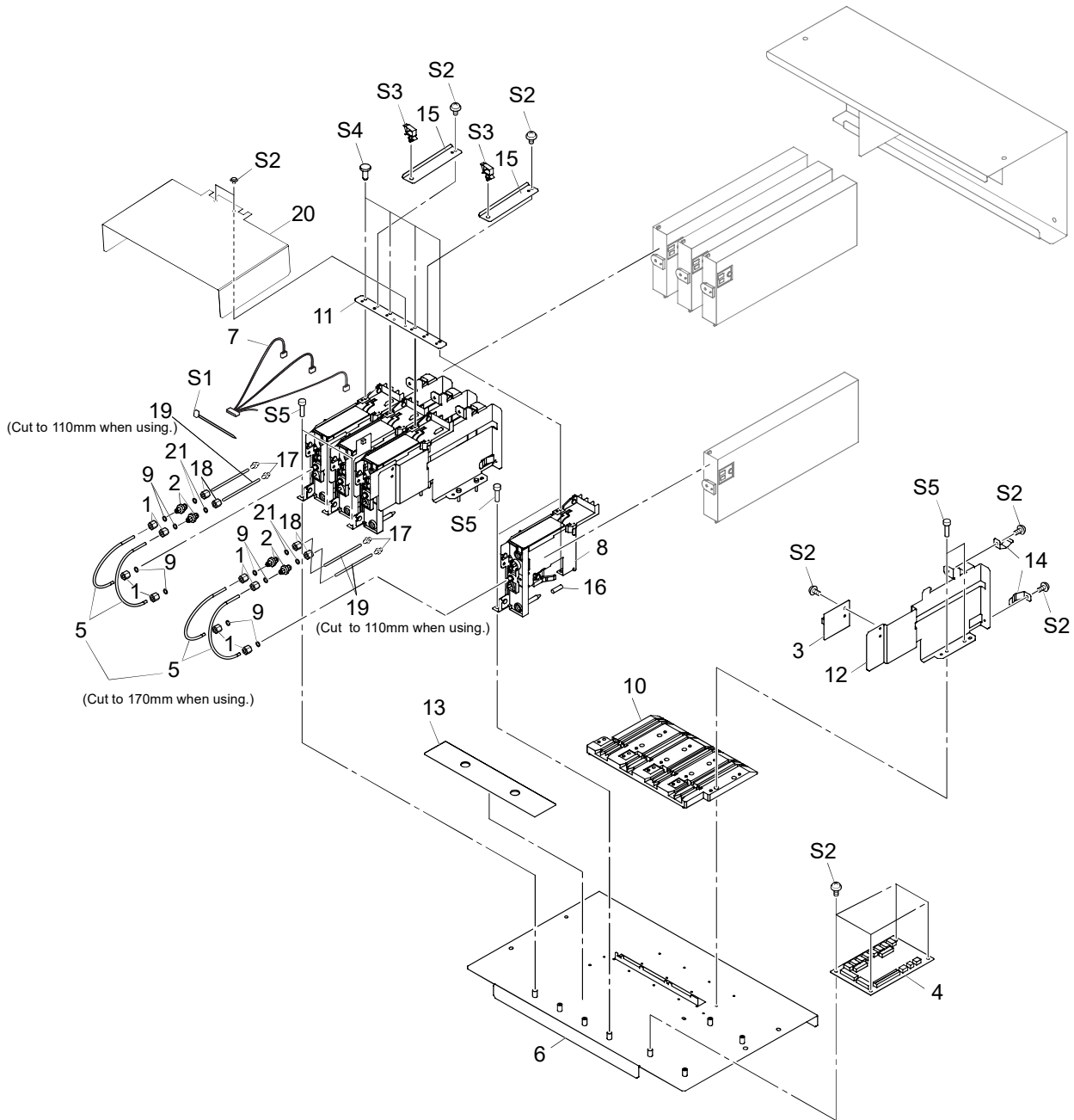
## PARTS LIST -Main Parts-

	Parts No.	Parts Name	
1	1000002537	ARM, LINK UP VP-540	
2	1000002794	ASSY, CAP-TOP XC-540	
3	1000002538	BASE, CAP VP-540	
4	22175815	BEARING F8-16ZZ	
5	1000000796	BUSH, 80F-0503	
6	21365121	CASE, CAP TOP FJ-540	
7	1000002564	COUPLING, PUMP VP-540	
8	22025671	COVER, CAP CASE FJ-540	
9	12239406	CUSHION, TM-96-6	
10	1000002536	FRAME, BACK-UP CAP VP-540	
11	1000002580	FRAME, BASE CAP VP-540	
12	21685122	GEAR, S10S20	
13	22135616	GUIDE, CAP CASE FJ-540	
14	11659249	HOLDER, RING O 3FAI FJ-540	
15	22435106	MOTOR, 103-593-1041	
16	1000002595	PLATE, P-BEARING VP-540	
17	1000001585	PLATE, P-MOTOR XC-540	
18	1000002539	SHAFT, CAP VP-540	
19	1000002563	SHAFT, PUMP VP-540	
20	22175334	SPRING, CAP HEAD FJ-540	
21	1000002561	SPRING, CAP SWING VP-540	
22	1000002565	STAY, PUMP ASSY VP-540	
23	1000002019	STOPPER, PUMP XC-540	
24	1000002645	STOPPER, SHAFT CAP VP-540	
25	6700319010	ASSY, PUMP SUB XC-540	
26	1000002679	ADAPTER, JUNCTION VPY306	
27	1000002119	TUBE, EPDM ID2-OD4 310MM	
28	1000003033	STAY, GUIDE CAP-CASE VP-540	
29	1000003104	SHEET, BASE CAP VP-540	
30	1000002179	CABLE-ASSY, PUMP MOTOR VP-540	
31	1000003383	ASSY, TUBING 2*30MM VP-540	Revised 1

## PARTS LIST -Supplemental Parts-

	Parts No.	Parts Name	
S1	31029106	BUSH, SQUARE SB-6025	
S2	31289109	CUPSCREW SET, M3*4 NI 100 PCS.	
S3	31109601	NUT SET, SQUARE M3*6*1.6 FE NI 100PCS	
S4	31019116	SCREW SET, BINDING M3*6 3CBC 100 PCS	
S5	31049169	SCREW SET, CAP M4*8 3CBC+PW 20PCS	
S6	31199701	SCREW SET, SET WP M3*3 NI 20 PCS	
S7	31179106	SCREW, JACK UP SP-540V	
S8	31289111	CUPSCREW SET, M4*6 NI 100 PCS.	
S9	31329601	CLAMP SET, INSULOK T-18S 100 PCS.	Revised 1

# 1-13 INK SYSTEM



## PARTS LIST -Main Parts-

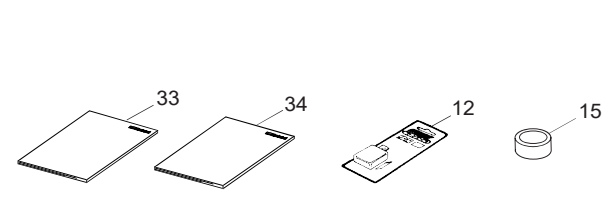
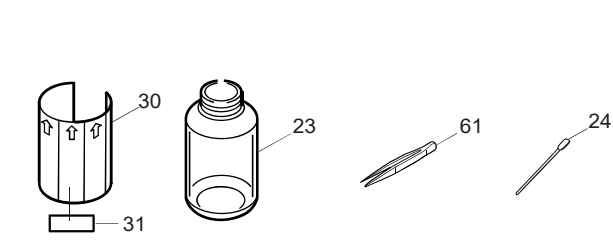
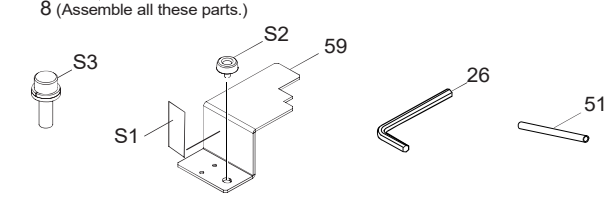
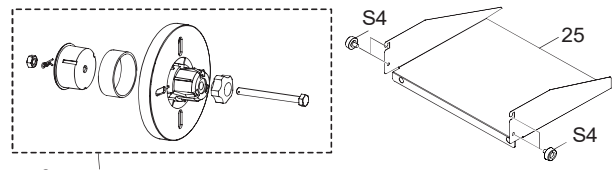
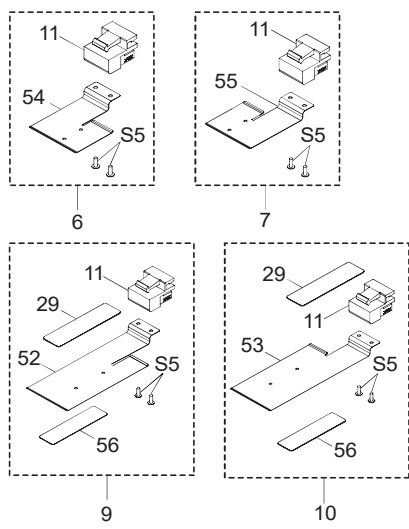
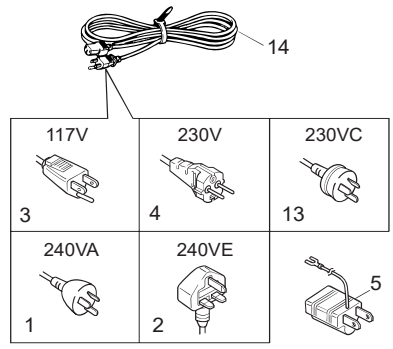
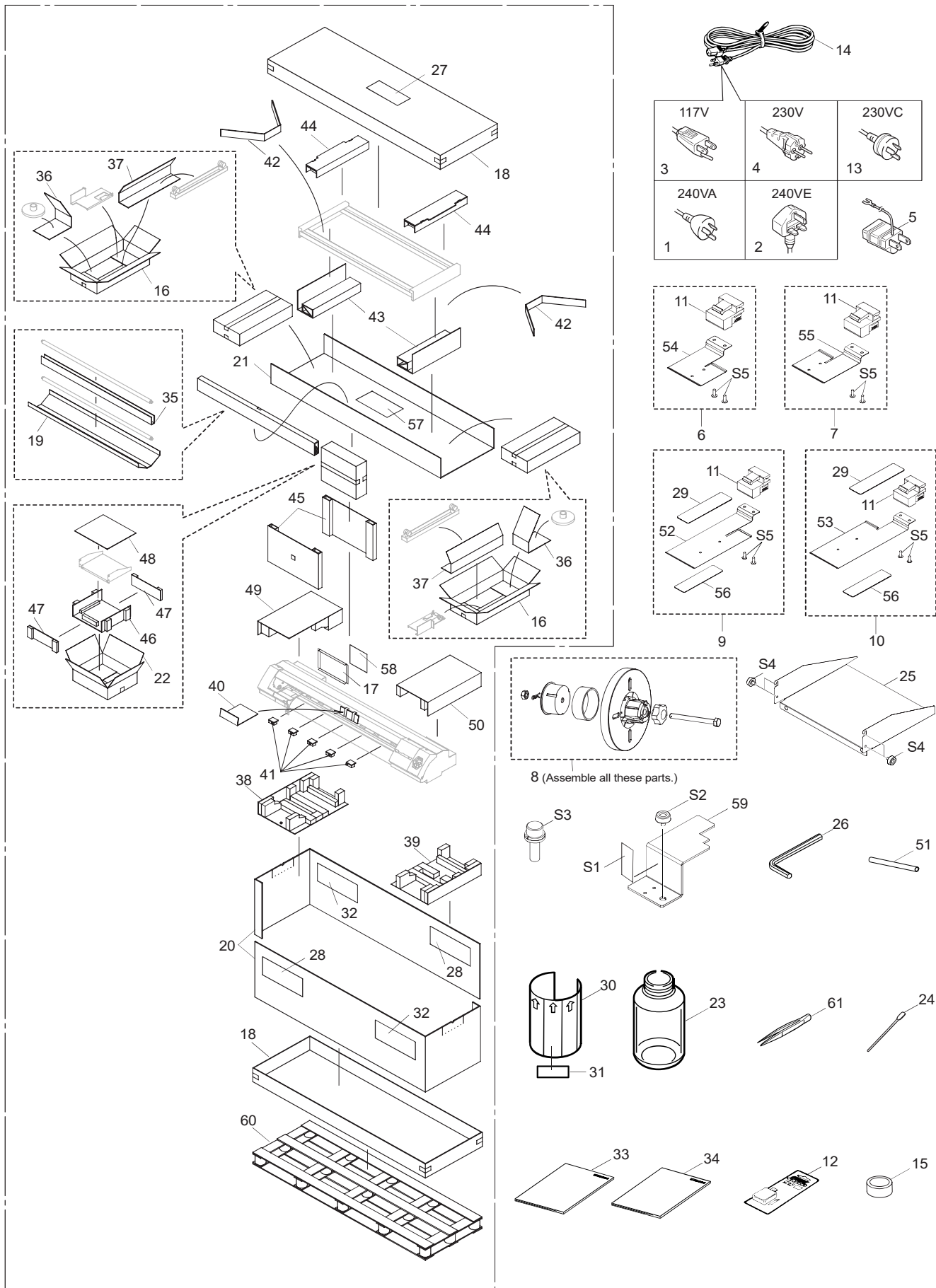
Parts No.	Parts Name
1	11909133 ADAPTER,SCREW 2FAI FJ-50
2	1000001589 ADAPTER,TUBE 2-3FAI XC-540
3	W700461280 ASSY,CARTRIDGE IC BOARD VP-540
4	W700461230 ASSY,FEED MOTOR BOARD VP-540
5	1000002423 ASSY,TUBING 2*210MM XC-540
6	1000002568 BASE,INKCARTRIDGE VP-540
7	1000002172 CABLE-ASSY,INK CARTRIDGE VP-540
8	11659218 HOLDER,I/C SC-500
9	11659149 HOLDER,RING O 2FAI FJ-50
10	22055435 PLATE,INK FJ-500
11	1000002560 PLATE,INK JOINT VP-540
12	1000001473 PLATE,HOLDER I/C XC-540
13	21475153 SHEET,INKCARTRIDGE SP-300
14	22625103 SPRING,PRESS CARTRIDGE SP-300
15	1000002640 SUPPORT,TUBE VP-540

Parts No.	Parts Name
16	21435109 TUBE,SILICONE 3*5*8
17	1000002680 ADAPTER,JOINT VPI336
18	11909167 ADAPTER,SCREW 3FAI FJ-540
19	1000003136 ASSY,TUBING 3*150MM VP-540
20	1000003038 COVER,CARTRIDGE IC VP-540
21	11659249 HOLDER,RING O 3FAI FJ-540

## PARTS LIST -Supplemental Parts-

Parts No.	Parts Name
S1	31329601 CLAMP SET,INSULOK T-18S 100 PCS.
S2	31289109 CUPSCREW SET,M3*4 NI 100 PCS.
S3	31409801 SADDLE,LOCKING WIRE LWS-0711Z 20
S4	31019801 SCREW,BINDING S-TIGHT M3*6 3C
S5	31799103 SCREW,CAP M3*15 NI

# 1-14 ACCESSORY



# 1-14 ACCESSORY

## PARTS LIST -Main Parts-

	Parts No.	Parts Name
1	23495124	AC CORD 3ASL100 240VA 10A SAA
2	13499111	AC CORD H05VV-F 240VE 10A S
3	13499109	AC CORD SJT 117V 10A 3PVC
4	23495125	AC-CORD H05VV 230V 10A S
5	13499209	ADAPTER PLUG (100V)
6	22805575	ASS'Y, SHORT MEDIA CLAMP L SP-540V
7	22805576	ASS'Y, SHORT MEDIA CLAMP R SP-540V
8	1000003083	ASSY,FLANGE GUIDE VP-540
9	6700469040	ASSY,MEDIA CLAMP L LONG VP-540
10	6700469050	ASSY,MEDIA CLAMP R LONG VP-540
11	22845112	BASE,MEDIA CLAMP SP-300
12	11849102	BLADE,OLFA AUTO CUTTER XB10
13	13439801	CABLE-AC 3P CHINA 10A250V S
14	23495117	CABLE-AC,VCTF 100V 12A 3P-S
15	22335143	CAP,EPDM
16	1000002698	CARTON,ACCESSORY VP-540
17	22605305	CARTON,COVER INK SP-300
18	1000002701	CARTON,COVER VP-300
	1000002688	CARTON,COVER VP-540
19	1000002704	CARTON,SHAFT SHEET VP-300
	1000002699	CARTON,SHAFT SHEET VP-540
20	1000002702	CARTON,SLEEVE VP-300
	1000002689	CARTON,SLEEVE VP-540
21	1000002703	CARTON,STAND VP-300
	1000002694	CARTON,STAND VP-540
22	1000003077	CARTON,TRAY 440 VP-540
23	11369115	CASE,PP BOTTLE
24	ST-037	CLEAN STICK TX712A
25	1000002650	COVER,440CC I/C VP-540
26	22565682	HEXAGONAL WRENCH 5
27	22535532	LABEL,CARTON CARE #LA762
28	1000002683	LABEL,CARTON VP-300#LA965
	1000002684	LABEL,CARTON VP-540#LA966
29	22535469	LABEL,CAUTION CLAMP SP-300#LA677
30	22535144	LABEL,DRAIN BOTTLE #LA29
31	1000001099	LABEL,HARMFUL FIRE #LA915
32	22535357	LABEL,USE FORKLIFT #LA435
33	1000002751	MANUAL,INS EN VP-540 MAX
	1000002749	MANUAL,INS JP VP-540 MAX
34	1000002750	MANUAL,USE EN VP-540 COMMON
	1000002748	MANUAL,USE JP VP-540 COMMON
35	1000003030	PAD, SHAFT SHEET VP-540
	1000003112	PAD,SHAFT SHEET VP-300
36	1000002968	PAD,ACCESSORY VP-540

## PARTS LIST -Main Parts-

	Parts No.	Parts Name
37	1000003111	PAD,BASE STAND VP-540
38	1000002690	PAD,L-LEFT VP-540
39	1000002691	PAD,L-RIGHT VP-540
40	1000003110	PAD,RAIL UPPER VP-540
41	21545178	PAD,SPACER RAIL SP-300
42	1000002697	PAD,SPACER STAND VP-540
43	1000002695	PAD,STAND L/R VP-540
44	1000002696	PAD,STAND UPPER VP-540
45	1000002969	PAD,SUPPORT STAND VP-540
46	1000003078	PAD,TRAY 440 A VP-540
47	1000003079	PAD,TRAY 440 B VP-540
48	1000003080	PAD,TRAY 440 C VP-540
49	1000002692	PAD,U-LEFT VP-540
50	1000002693	PAD,U-RIGHT VP-540
51	22155133	PIPE,TOOL D9*L150 FJ-540
52	22055691	PLATE,LONG CLAMP MEDIA L SP-540V
53	22055693	PLATE,LONG CLAMP MEDIA R SP-540V
54	22055692	PLATE,SHORT CLAMP MEDIA L SP-540V
55	22055694	PLATE,SHORT CLAMP MEDIA R SP-540V
56	1000001602	SHEET,CLAMP MEDIA XC-540
57	1000002752	STICKER,REP JP/EN VP-540
58	22735135	STICKER,SUP JP/EN SP-300
59	1000002604	STOPPER,CARRIAGE VP-540
60	1000002700	TRAY,SKID VP-300
	1000002687	TRAY,SKID VP-540
61	12569656	TWEEZERS PTS-01

## PARTS LIST -Supplemental Parts-

	Parts No.	Parts Name
S1	31279201	LABEL,REPACKAGE #LA16
S2	31139103	PLAPOINT,FE4*6 WH
S3	31049157	SCREW,CAP M6*20 BC+PW+SW
S4	31139104	SCREW,PLAPOINT M4*6 BK FE
S5	31229103	SCREW,TRUSS M2*6 BC