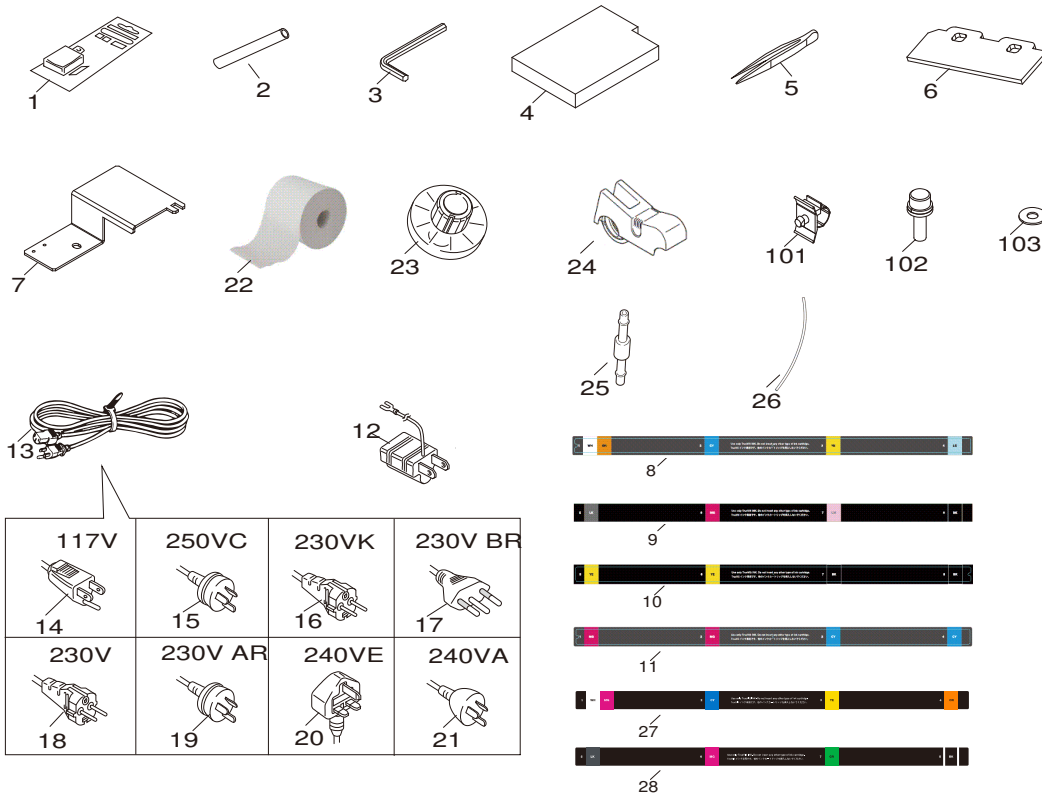
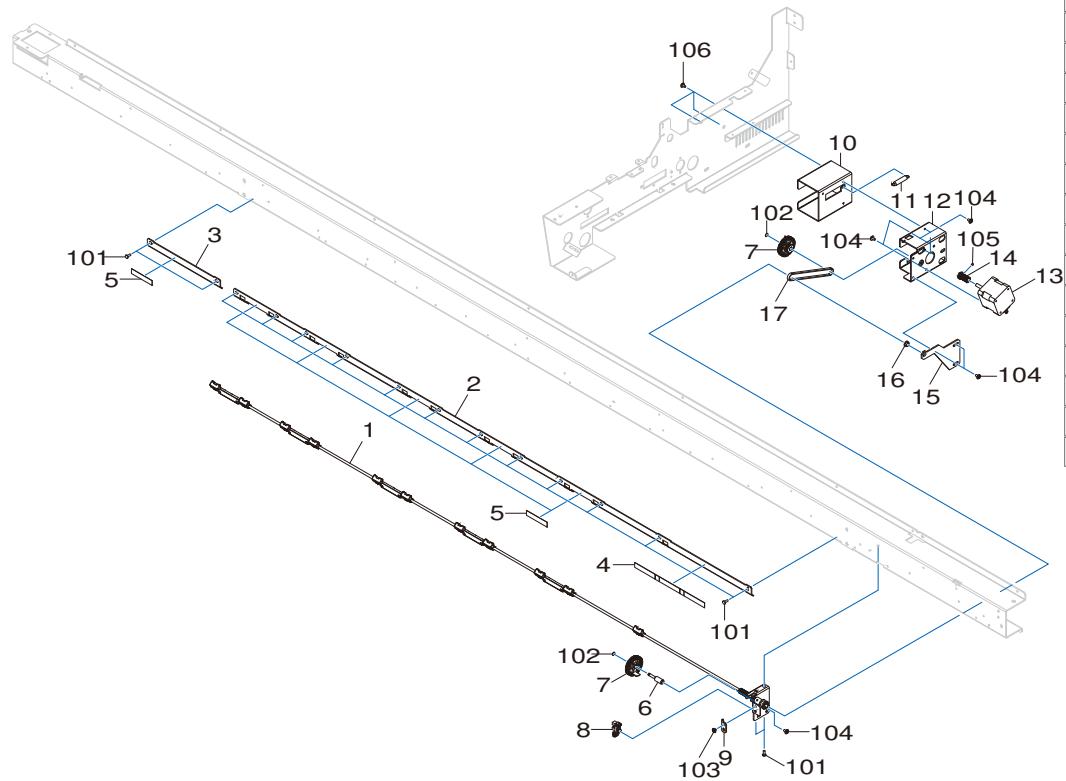


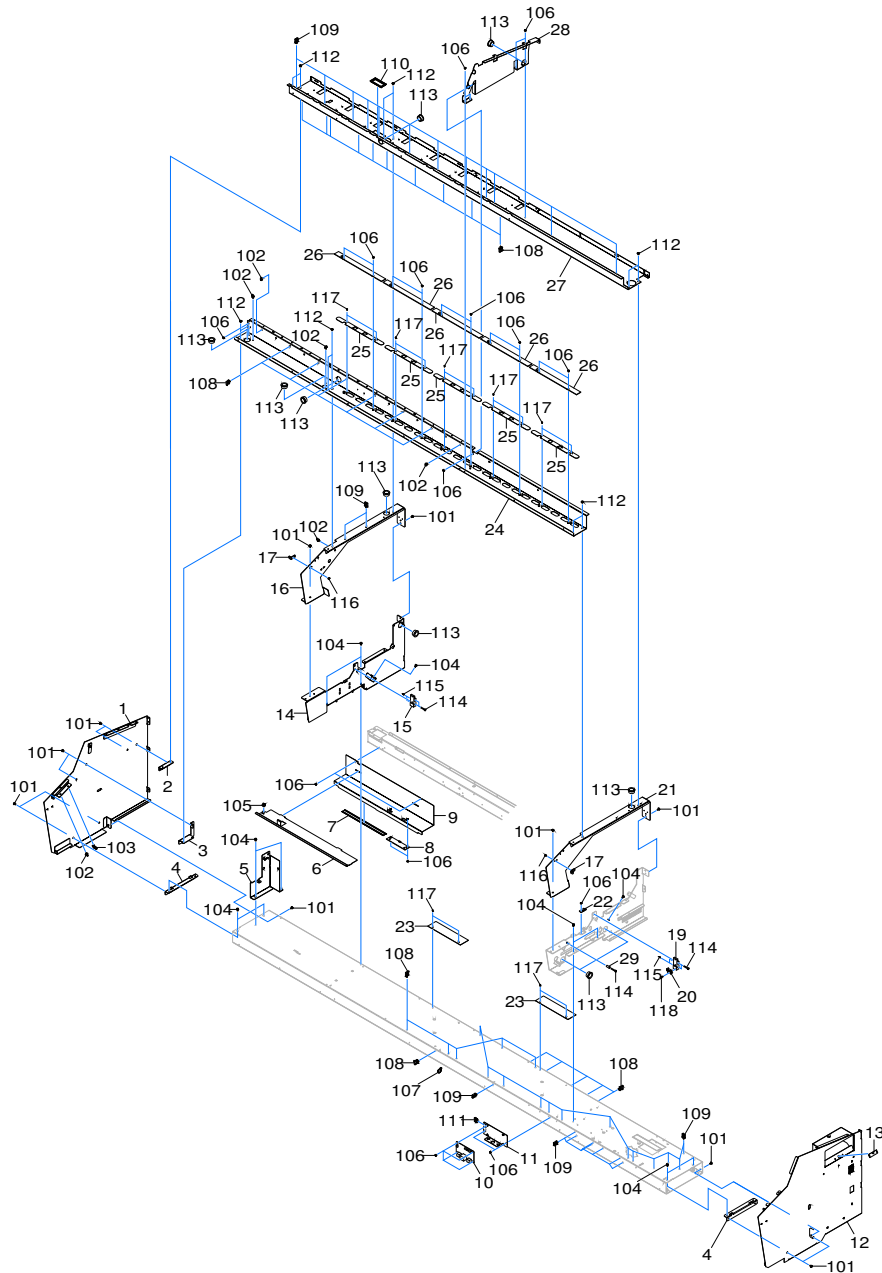
Pos	Code	Description
1	1000015713	PAD,FEEDER SG-540
2	1000015145	PAD,STAND VG-640
2	1000015714	PAD,STAND SG-540
2	1000017510	PAD,STAND SV SG-540
3	1000015146	CARTON,STAND VG-640
3	1000015715	CARTON,STAND SG-540
3	1000017511	CARTON,STAND SV SG-540
4	1000014611	PAD,PIPE FEEDER SHAFT EJ-640
4	1000015711	PAD,PIPE FEEDER SHAFT SG-540
4	1000017508	PAD,PIPE FEEDER SHAFT SV SG-540
5	1000015716	CARTON,SLEEVE SG-540
5	1000017512	CARTON,SLEEVE SV SG-540
6	1000018803	PAD,SPACER RAIL CG2023
7	1000015717	CARTON,SPACER SG-540
8	1000015724	PAD,L-LEFT SG-540
8	1000017515	PAD,L-LEFT SV SG-540
9	1000015725	PAD,L-RIGHT SG-540
9	1000017516	PAD,L-RIGHT SV SG-540
10	1000015726	PAD,CENTER SG-540
11	1000015718	CARTON,COVER SG-540
11	1000017513	CARTON,COVER SV SG-540
12	1000018196	TRAY,SKID SG-540_01
12	1000019080	TRAY,SKID SV SG-540_01
13	1000015150	PAD,U-LEFT VG-640
13	1000015719	PAD,U-LEFT SG-540
13	1000017514	PAD,U-LEFT SV SG-540
14	1000015151	PAD,U-RIGHT VG-640
14	1000015730	PAD,U-RIGHT SG-540
14	1000017518	PAD,U-RIGHT SV SG-540
15	1000015721	PAD,VKIT SG-540
16	1000015712	PAD,SUPPORT FEEDER SHAFT SG-540
16	1000017509	PAD,SUPPORT FEEDER SHAFT SV SG-540
17	1000015731	PAD,ACCESSORY SG-540
19	1000017872	PAD,SUPPORT VG-540T



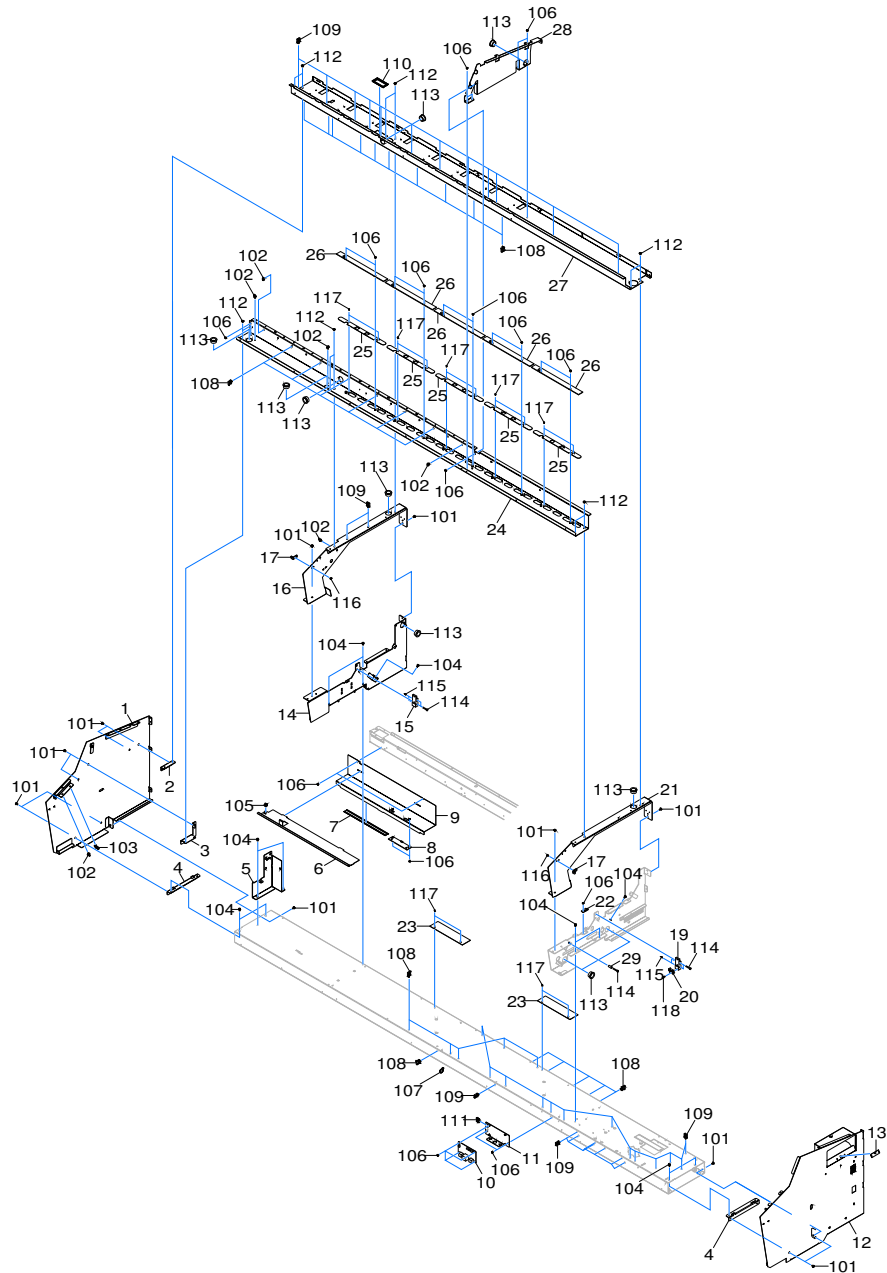
Pos	Code	Description
1	11849102	BLADE,OLFA AUTO CUTTER XB10
2	22155133	PIPE,TOOL D9*L150 FJ-540
3	22565682	HEXAGONAL WRENCH 5
4	1000020059	PAD,CLEANER D VG-640TH
5	12569656	TWEEZERS PTS-01
6	1000014754	WIPER,HEAD VG-640
7	1000019053	STOPPER,CARRIAGE CG2076 TH
8	1000019893	LABEL,SET INK1 CG2076#LA3327
9	1000014824	LABEL,SET INK 2 VG-640#LA2168
10	1000015694	LABEL,SET INK 4C2 VG-640#LA2344
11	1000019892	LABEL,SET INK 4C1 VG-640#LA3326
12	13499209	ADAPTER PLUG (100V)
13	1000005832	CABLE-AC,100V 15A 2.5M 3P
14	1000005833	CABLE-AC,117V 15A 2.5M 3P
15	13439801	CABLE-AC 3P CHINA 10A250V S
16	1000010999	CABLE-AC, H05VV 230V 10A KC
17	1000006571	CABLE-AC,3P 117/230V BR 2.5M
18	23495125	AC-CORD H05VV 230V 10A S
19	1000006097	CABLE-AC,3P 230VAR 2.5M TW
20	13499111	AC CORD H05VV-F 240VE 10A S
21	23495124	AC CORD 3ASL100 240VA 10A SAA
22	3000000437	SHEET,CHECK ALI EJ-640
23	21995106	FLANGE,GUIDE 2 PNS-70
24	1000019676	SUPPORT,ROLL MEDIA CG2076
25	1000002680	ADAPTER,JOINT VPI336
26	3000000489	TUBE,PT05-RDG 3X3.8 100M
27	1000022241	LABEL,SET INK 8C1-GR CG2168#LA3735
28	1000022242	LABEL,SET INK 8C2-GR CG2168#LA3736
101	31379111	CLAMP,CABLE CKS-13-H
102	31049157	SCREW,CAP M6*20 3CBC+PW+SW
103	31249220AS	WASHER SET,PLAIN 6.5*16*1 NI 100PCS



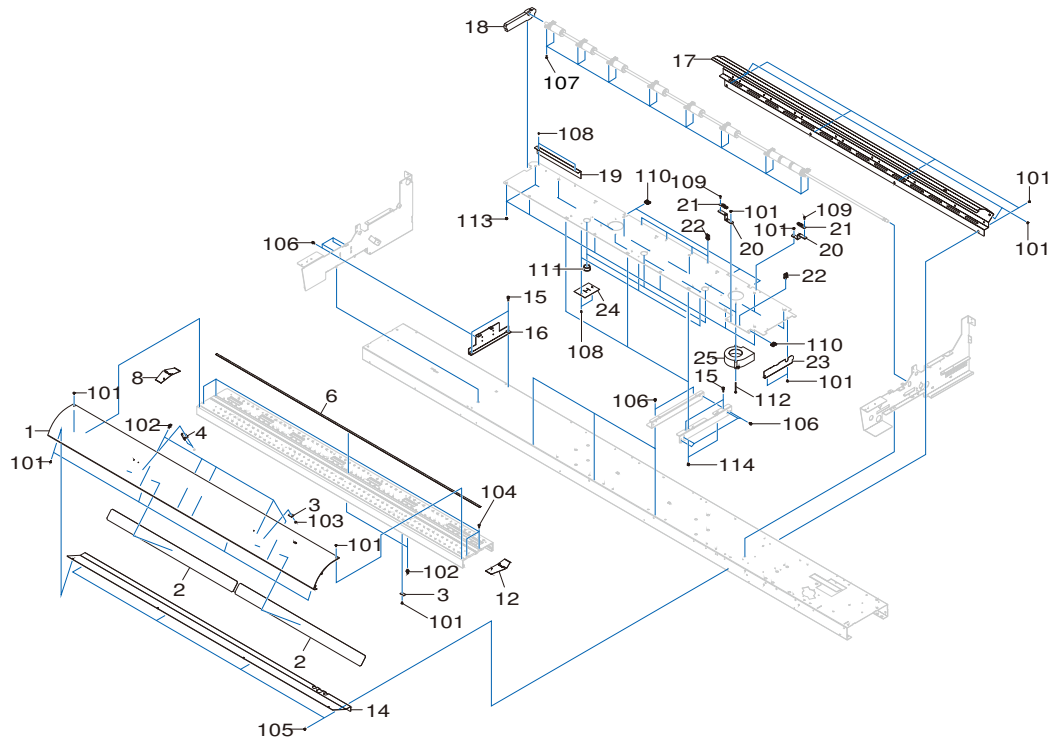
Pos	Code	Description
2	1000018799	PLATE,PINCH DOWN STOPPER CG2075
3	1000018800	PLATE,PINCH DOWN STOPPER L CG2075
4	1000002971	LABEL,G-ROLLER 170 VP-540 #LA978
5	1000002970	LABEL,G-ROLLER 50 VP-540 #LA977
6	1000018599	SHAFT,A-PINCH ORIGIN CG2023
7	1000018964	GEAR,A-PINCH DRIVE 2 CG2023
8	1000016994	SENSOR-INTERRUPTER,EE-SX4235A_P2
9	1000018777	HOLDER,SHAFT A-PINCH R CG2076
10	1000019045	BASE,GEAR A-PINCH 2 CG2023
11	1000000900	SPRING,PINCH 2000 AJ-1000
12	1000019659	STAY,GEAR A-PINCH CG2076
13	1000007733	MOTOR,XS-5208-064
14	1000018965	GEAR,A-PINCH MOTOR 2 CG2023
15	1000019657	SUPPORT,BELT A-PINCH CG2076
16	1000000796	BUSH,80F-0503
17	1000007153	BELT,244P2M4-530
101	31019117AS	SCREW SET,BINDING M3*8 3CBC 100 PCS
102	31249952	WASHER SET,POLYSLIDER 2.6*5*.5 CUT 20PCS
103	31289109AS	CUPSCREW SET,M3*4 NI 100 PCS
104	31289102AS	CUPSCREW SET,M3*6 NI 50 PCS.
105	31199701AS	SCREW SET,SET WP M3*3 NI 20 PCS
106	31289105AS	CUPSCREW SET, M3*6 3CBC 100 PCS



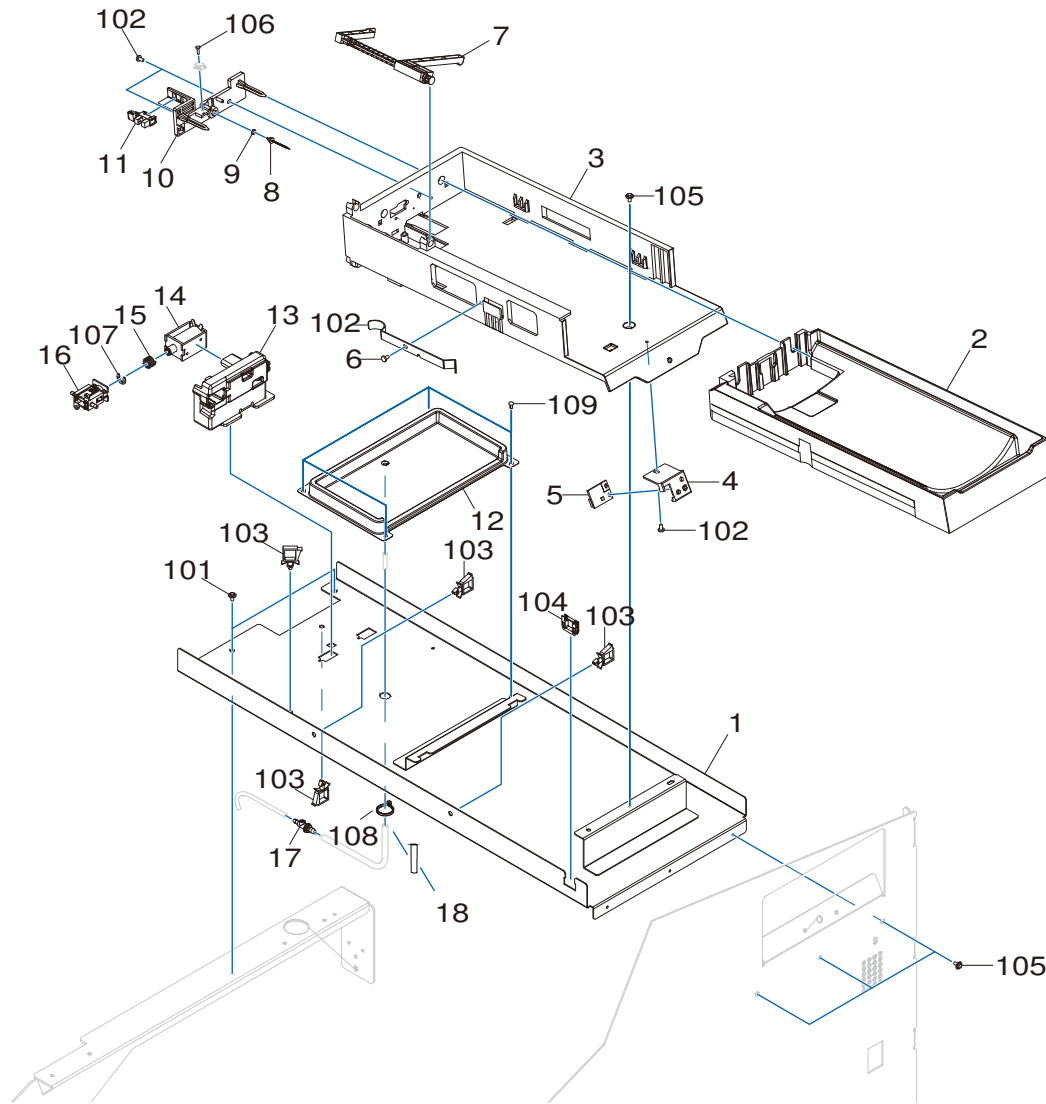
Pos	Code	Description
1	1000019706	FRAME,SIDE L CG2076
2	1000017551	STAY,INK CARTRIDGE PLATE CG2032
3	1000017552	STAY,SUPPORT COVER CG2032
4	1000015317	STAY,FRAME SG-540
5	1000015311	STAY,SUPPORT RAIL L SG-540
6	1000015314	FRAME,AUTOCUTTER SG-540
7	1000014596	SHEET,BED LED VG-640
8	W703496230	ASSY,MAINTENANCE LIGHT VG-640
9	1000015319	STAY,MAINTENANCE LED SG-540
10	W704890110	ASSY,EXT IF CG2075_01
11	1000017366	STAY,EXT PORT CG2032
12	1000019705	FRAME,SIDE R CG2076
13	1000014825	LABEL,CL VG-640#LA2170
15	1000002589	BASE,RAIL VP-540
16	1000020250	SUPPORT,FRAME L CG2076
16	1000021389	SUPPORT,FRAME L2 CG2076
17	1000015316	STAY,COVER ARM SG-540
19	1000018963	BASE,RAIL CG2023
20	1000018956	HOLDER,SHAFT A-PINCH C CG2023
21	1000019679	SUPPORT,FRAME CG2076
22	1000019667	STOPPER,CLAMP R CG2076
23	1000019675	PLATE,SUPPORT FAN CG2076
24	1000019894	SUPPORT,COVER CG2075
25	1000014596	SHEET,BED LED VG-640
26	6000004235	ASSY,LED LIGHT BOARD CG2075
27	1000019736	PLATE,INK CARTRIDGE CG2075
27	1000020769	PLATE,INK CARTRIDGE CG2092
28	1000017363	COVER,SIDE INK SYSTEM CG2032
29	21745101	COLLAR,P-ROLLER PNC-960
101	31289110AS	CUPSCREW SET, M4*8 3CBC 100 PCS
102	31329501AS	CLAMP SET,PUSH MOUNT RT30SSF5 20P
103	31409801AS	SADDLE,LOCKING WIRE LWS-0711Z 20P
104	3000000172	SCREW SET,CAP M4*8 NI WSH4*9*0.8 20P
105	31139104	SCREW,PLAPOINT M4*6 BK FE
106	31289102AS	CUPSCREW SET,M3*6 NI 50 PCS.
107	31329601AS	CLAMP SET,INSULOK T-18S 100 PCS.
108	31409811AS	SADDLE SET,LOCKING WIRE LWS-1211Z 20P
109	3000000216	SADDLE,WIRE WS-2N-V0
110	31029106	BUSH,SQUARE SB-6025
111	31409702	SADDLE SET,LOCKING WIRE LES-1010 20P



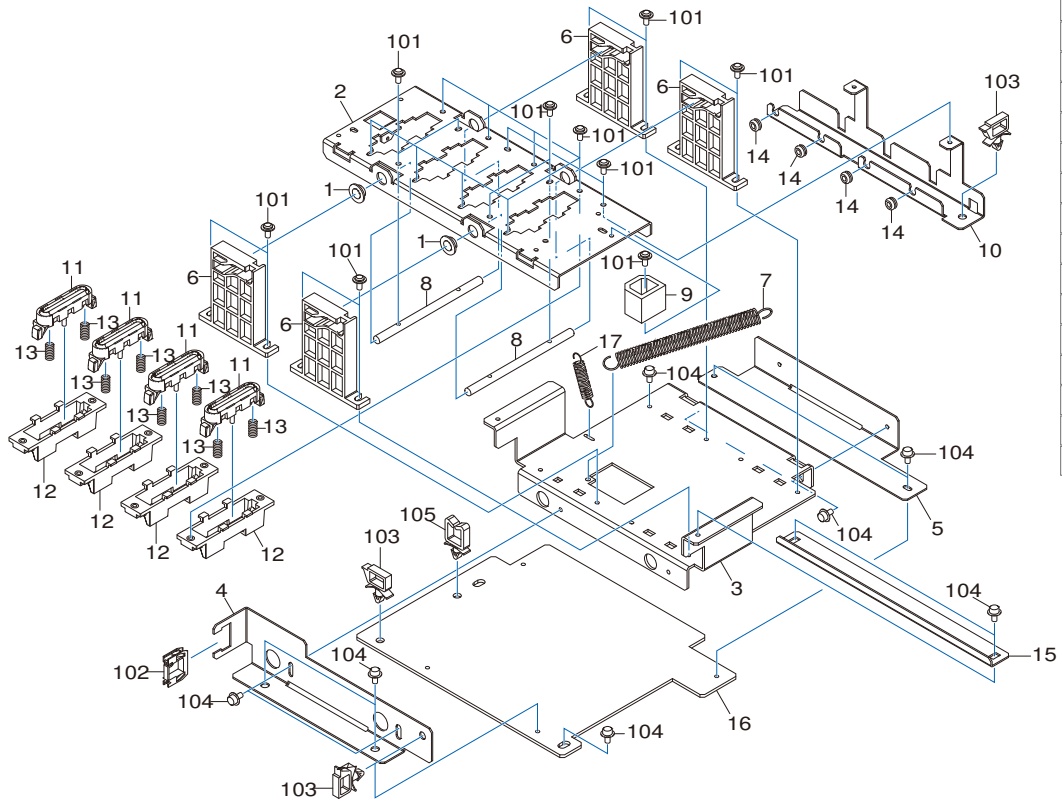
Pos	Code	Description
112	31289111AS	CUPSCREW SET, M4*6 NI 100 PCS.
113	31029101	BUSH,NB-19
114	3000000423	CAP-SCREW,4*25 3CBC 100PCS
114	31049137AS	SCREW SET,CAP M4*25 3CBC 20 PCS
115	31119904	PIN,SPRING 2.5*8 SUS STRAIGHT 50 PCS
116	31289105AS	CUPSCREW SET, M3*6 3CBC 100 PCS
117	31299102AS	RIVET SET,NYLON P2655B 20 PCS.
118	31049155AS	SCREW SET,CAP M3*12 BC+PW 20 PCS.



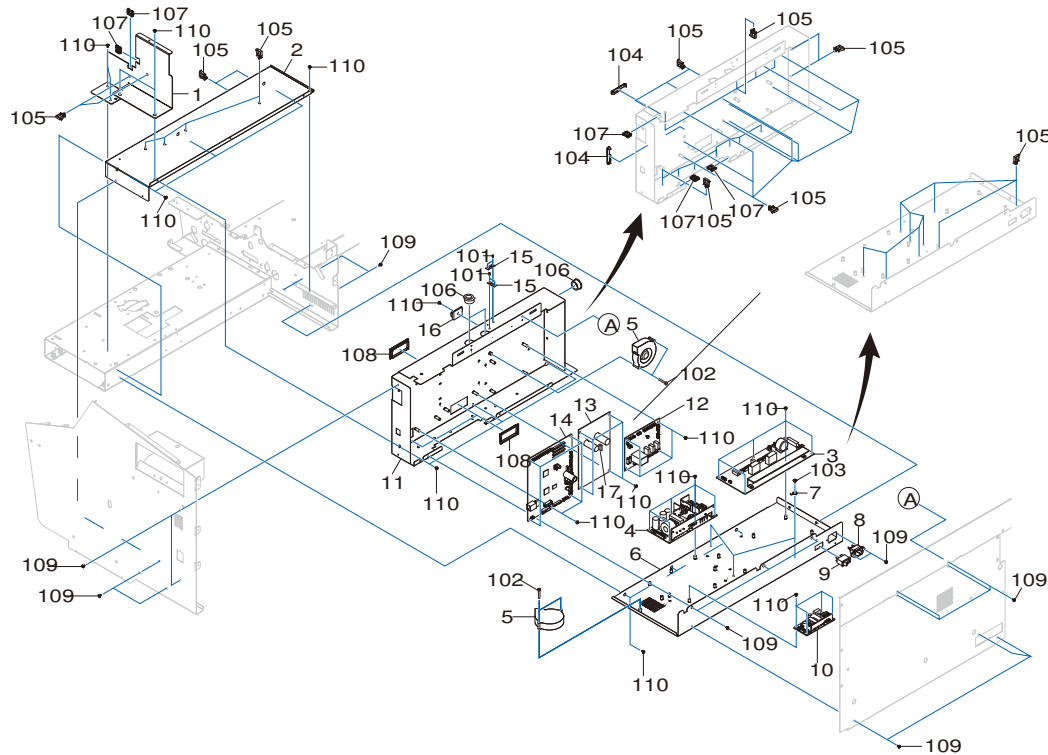
Pos	Code	Description
1	1000015343	ASSY, APRON F SG-540
2	1000004792	ASSY, CORD HEATER RS-640
3	6703524050	ASSY, THERMISTOR BOARD EJ-640
4	15099115	SENSOR-INTERRUPTER GP2A25NJ
6	1000015635	PAD, CUTTER VG-540
6	1000020748	PAD, CUTTER 2 VG-540
8	6000005192	ASSY, CLAMP MEDIA L SV VG2-640
12	6000005193	ASSY, CLAMP MEDIA R SV VG2-640
14	1000017444	APRON, F UNDER CG2032
15	31179106	SCREW, JACK UP SP-540V
16	1000019666	FRAME, SIDE BED CG2076
17	1000019673	APRON, B CG2076
18	1000010086	SHUTTER, BED L XF-640
19	1000019674	PLATE, SHUTTER BED REAR CG2076
20	1000010087	STAY, PAPER SENSOR XF-640
21	15229505	SENSOR INTERRUPTER GP2A25
22	3000000216	SADDLE, WIRE WS-2N-V0
23	1000019664	SHUTTER, BED R CG2076
24	21625103	SHUTTER, HEATER CORD SP-300
25	1000009934	FAN, 9BAM24P2H06PJ
101	31289102AS	CUPSCREW SET, M3*6 NI 50 PCS.
102	31329501AS	CLAMP SET, PUSH MOUNT RT30SSF5 20P
103	31289109AS	CUPSCREW SET, M3*4 NI 100 PCS
104	31049173AS	SCREW SET, CAP M4*10 NI 50 PCS.
105	31289105AS	CUPSCREW SET, M3*6 3CBC 100 PCS
106	3000000172	SCREW SET, CAP M4*8 NI WSH4*9*0.8 20P
107	31289112AS	CUPSCREW SET, M3*10 NI 100 PCS.
108	31299102AS	RIVET SET, NYLON P2655B 20 PCS.
109	31049170AS	SCREW SET, CAP M3*8 NI 50 PCS.
110	31409702	SADDLE SET, LOCKING WIRE LES-1010 20P
111	31029101	BUSH, NB-19
112	31239112	SCREW SET, W-SEMS M3*45 3CBC 50 PCS.
113	3000000547	SCREW, CUP P-TIGHT 3X6 NI
114	3000000548	SCREW, CUP P-TIGHT 3x8 3CBC



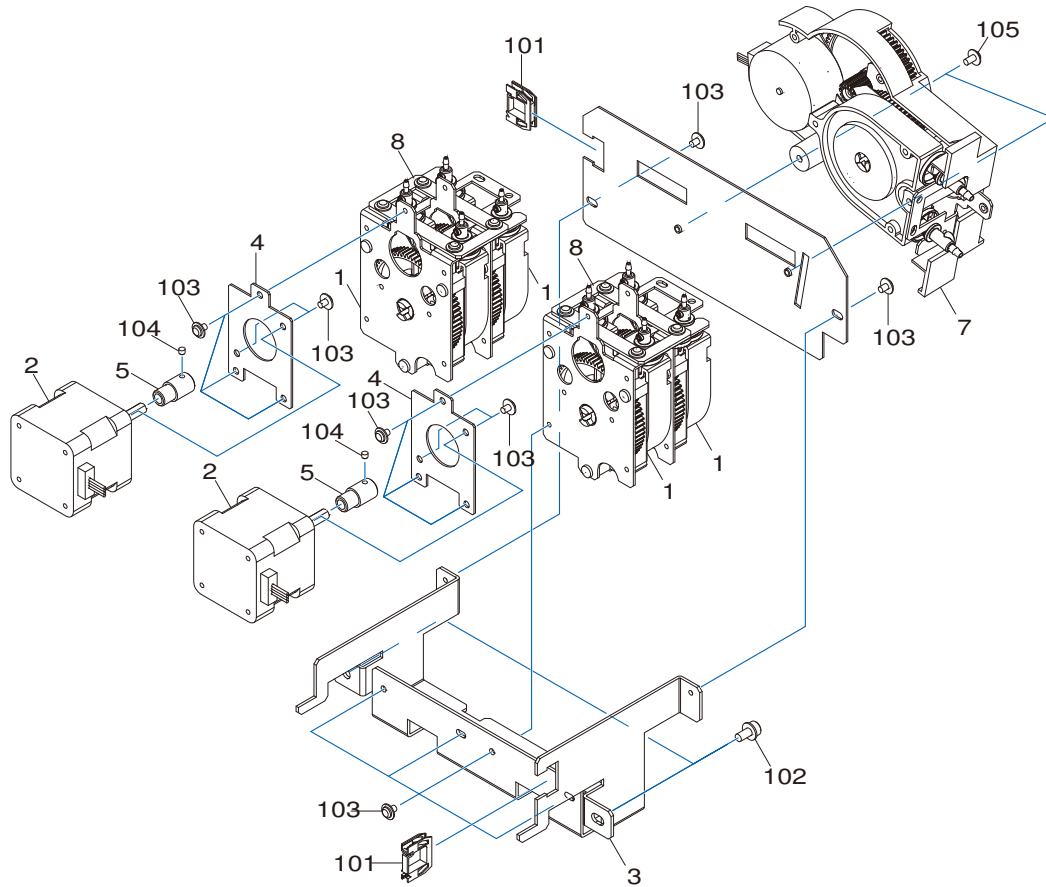
Pos	Code	Description
1	1000019755	BASE,CL CARTRIDGE CG2076
2	1000014586	TRAY, INK POUCHES VG-640
3	1000018348	FRAME,HOLDER I/C2 CG2023
4	1000017453	HOLDER,CARTRIDGE LED CG2023
5	1000017428	ASSY,CARTRIDGE LED BOARD CG2032
6	1000017438	SPRING,PLATE I/C CG2023
7	1000017437	LEVER,INK EMPTY CG2023
8	1000014443	NEEDLE,FAI1.2 VG-640
9	1000007988	RING,O 1.1*5.5
10	1000017435	HOLDER,NEEDLE I/C CG2023
11	1000011069	SENSOR-INTERRUPTER,OJ-535S-A5
12	1000019757	TRAY,CL CARTRIDGE CG2076
13	1000017442	HOLDER,CIRCULATION VALVE CG2023
14	1000014297	SOLENOID,TDS-08A DC-24V TYPE2
14	1000018523	SOLENOID,TDS-08A DC-24V TYPE2
15	1000011883	SPRING,CHOKE RF-640
15	1000020061	SPRING,VALVE BIF-2TH
16	1000019097	VALVE,CHOKE CG2057
17	1000006327	ADAPTER,TUBE 3-4 LEC-330
18	1000020264	PIPE,WR0640
101	31289102AS	CUPSCREW SET,M3*6 NI 50 PCS.
102	31019702AS	SCREW SET,BIND P-TIGHT M3*6 3C 100P
103	31409811AS	SADDLE SET,LOCKING WIRE LWS-1211Z 20P
104	31409702	SADDLE SET,LOCKING WIRE LES-1010 20P
105	31289105AS	CUPSCREW SET, M3*6 3CBC 100 PCS
106	3000000412	BIND,P-TIGHT 2*8 3C 20PCS.
107	31149704AS	RING SET,E-RING ETW-6 SUS 100 PCS
108	31329601AS	CLAMP SET,INSULOK T-18S 100 PCS.
109	31289105AS	CUPSCREW SET, M3*6 3CBC 100 PCS



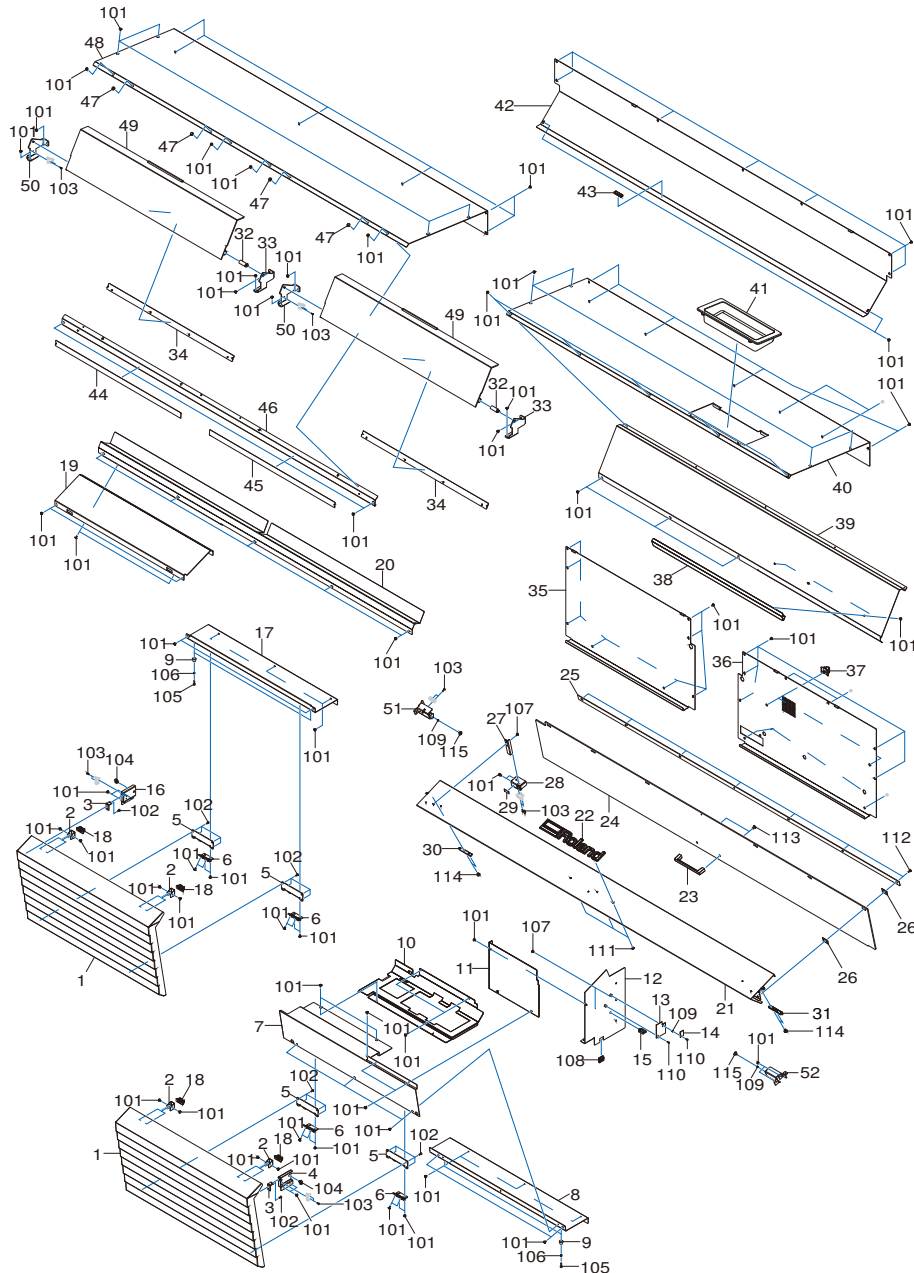
Pos	Code	Description
1	1000018512	BUSH,80F-0603
2	1000014454	FRAME,BACKUP CAP VG-640
3	1000014451	FRAME,BASE CAP VG-640
4	1000014452	STAY,ADJUSTER F CAP VG-640
5	1000014453	STAY,ADJUSTER R CAP VG-640
6	1000014455	GUIDE,SLIDE CAP VG-640
7	1000014469	SPRING,CAP SLIDE VG-640
8	1000014467	SHAFT,CAP LIFT VG-640
9	1000014468	STOPPER,ARM CAP VG-640
10	1000019699	STAY,TUBE CAP CG2076
11	6000004658	ASSY,CAP TOP SV CG2076
12	1000014760	HOLDER,CAP VG-640
13	1000014763	SPRING,CAP TOP K VG-640
14	1000019700	GROMMET,RUBBER TM-346-13
15	1000020080	SUPPORT,GUIDE SLIDE CAP VG-640TH
16	1000020068	PLATE,CAP UNDER VG-640TH
17	1000015183	SPRING,CAP SWING VS-640
101	31289102AS	CUPSCREW SET,M3*6 NI 50 PCS.
102	31409702	SADDLE SET,LOCKING WIRE LES-1010 20P
103	31409801AS	SADDLE,LOCKING WIRE LWS-0711Z 20P
104	31049154AS	SCREW SET,CAP M3*6 NI+PW 20 PCS
105	3000000216	SADDLE,WIRE WS-2N-V0



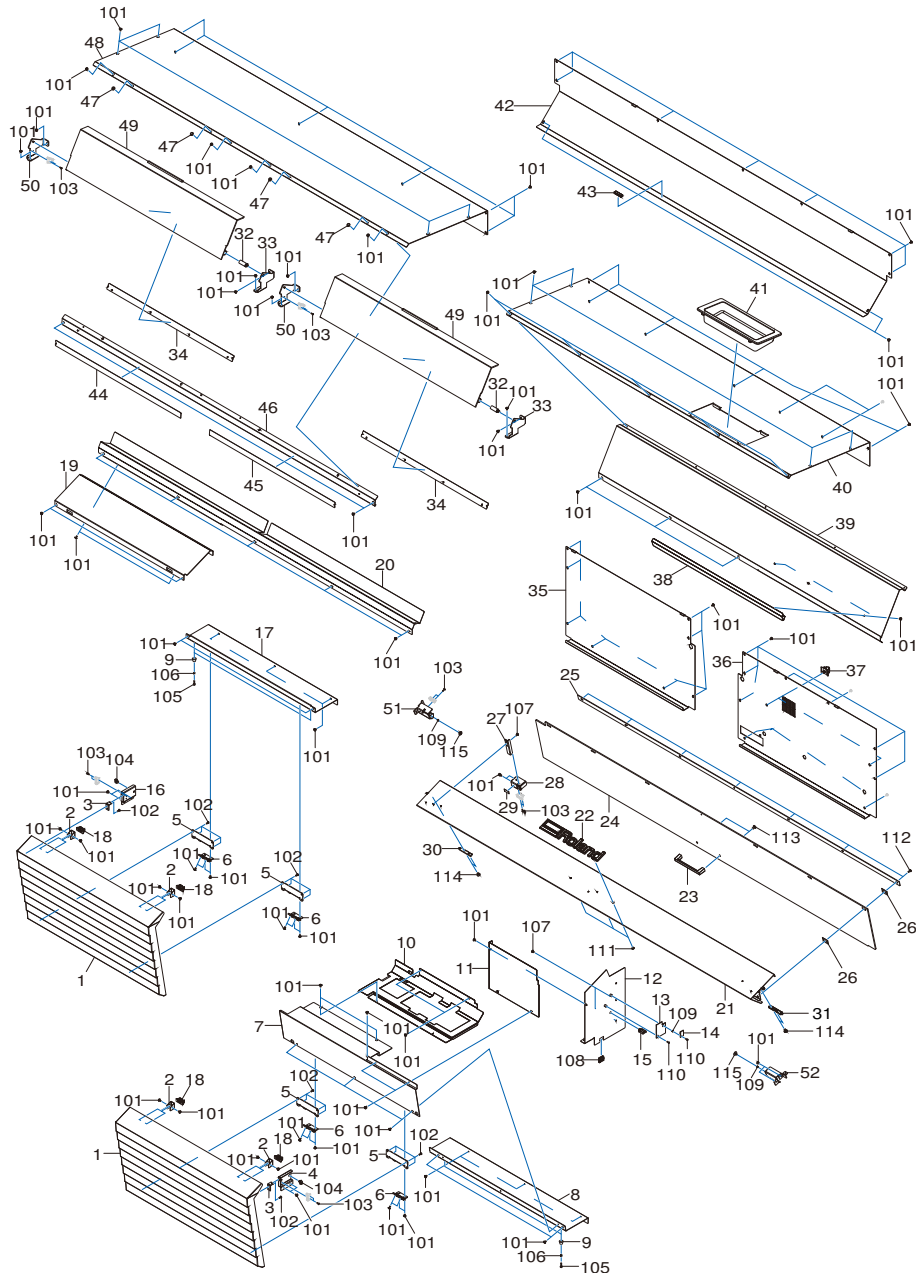
Pos	Code	Description
1	1000018779	STAY,SERVO BOARD CG2076
2	1000020260	STAY,CHASSIS COVER CG2076
3	1000018538	ASSY,HEATER CONTROL BOARD CG2075
4	1000014605	POWER UNIT,ZWS240BP-36/R(37)
5	1000017431	FAN,9BD24FA6-20
5	1000018511	FAN,9BD24FA6-1+CN
6	1000019640	BASE,CHASSIS POWER CG2076
7	31329601AS	CLAMP SET,INSULOK T-18S 100 PCS.
8	13429702	INLET AC P01CF01 15A250V
9	1000018525	SW,POWER AJ8201BF
10	1000010042	POWER UNIT,ZWS30B-5
11	1000019643	BASE,CHASSIS BOARD CG2076
12	6000004233	ASSY,SIGNAL JUNCTION BOARD CG2075
13	6000004237	ASSY,FM3 SERVO BOARD CG2075
13	6000005119	ASSY,FM3 SERVO BOARD CG2075_01
14	6000005189	ASSY,MAIN BOARD SV VG2-640
14	6000005191	ASSY,MAIN BOARD SV VG-640i
14	6000005495	ASSY,MAIN BOARD SV2 VG2-640
15	1000015428	PLATE,CABLE SLIT SG-540
16	1000015261	CLAMP,FCM1-S6
17	12559102	FUSE 11CT 3.15A
101	31299102AS	RIVET SET,NYLON P2655B 20 PCS.
102	3000000423	CAP-SCREW,4*25 3CBC 100PCS
102	31049137AS	SCREW SET,CAP M4*25 3CBC 20 PCS
103	31289111AS	CUPSCREW SET, M4*6 NI 100 PCS.
104	3000000033	CLAMP,WIRE PLESS RFC-45VO
105	31409811AS	SADDLE SET,LOCKING WIRE LWS-1211Z 20P
106	31029101	BUSH,NB-19
107	31409702	SADDLE SET,LOCKING WIRE LES-1010 20P
108	31029106	BUSH,SQUARE SB-6025
109	31289105AS	CUPSCREW SET, M3*6 3CBC 100 PCS
110	31289102AS	CUPSCREW SET,M3*6 NI 50 PCS.



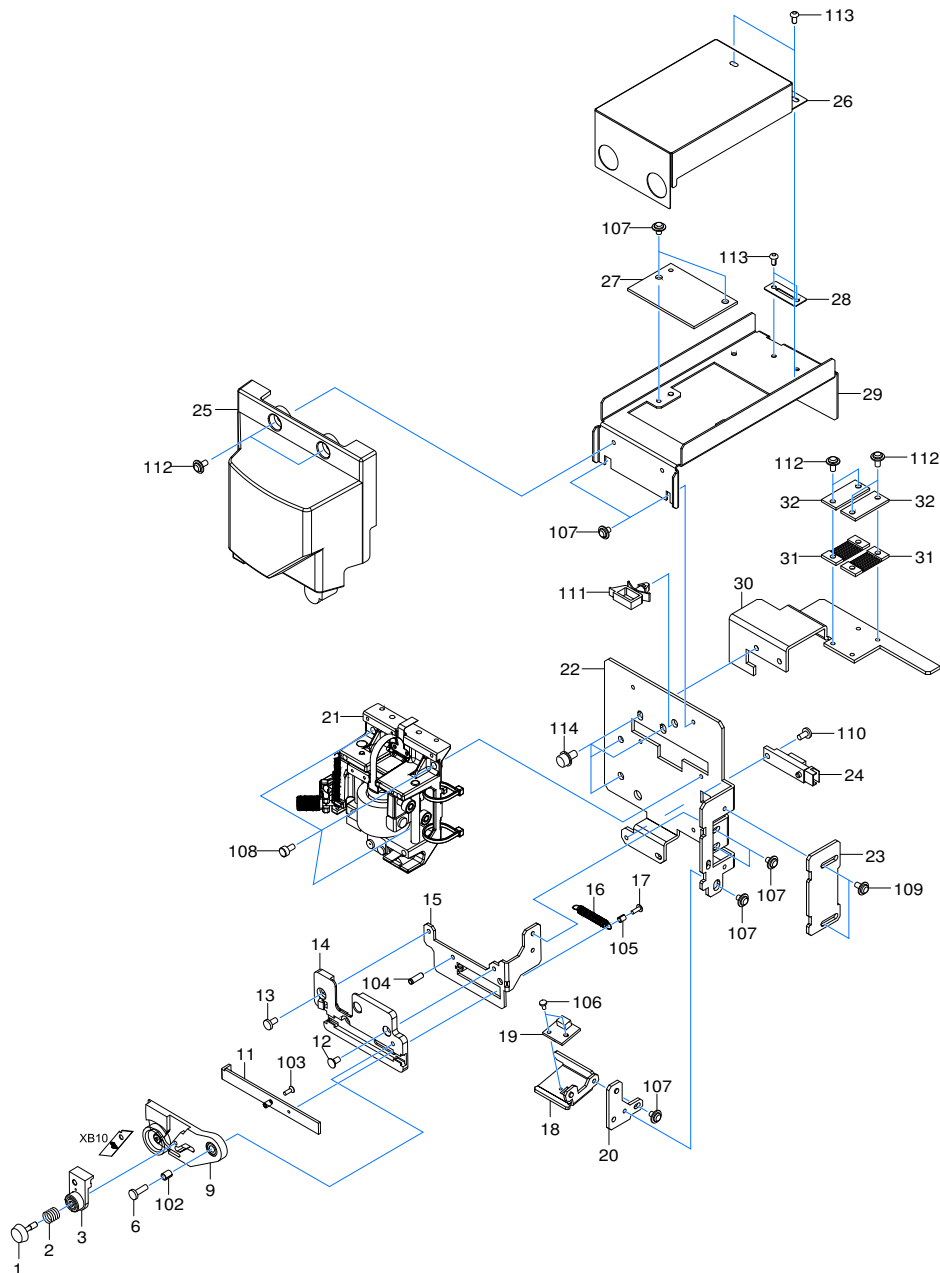
Pos	Code	Description
1	6000004717	ASSY,PUMP SUB SV CG2076
2	1000018514	MOTOR,103-5208-85542
3	1000019751	STAY,PUMP CG2076
4	1000020054	PLATE,P-MOTOR XC-540TH
5	1000012988	GEAR,S10B20
6	1000019752	STAY,WIPER PUMP CG2076
7	6000004661	ASSY,PRESS PUMP SV CG2076
7	6000005252	ASSY,PRESS PUMP SV2 CG2076
8	1000019743	PLATE,PUMP JOINT CG2075
8	1000021377	PLATE,PUMP JOINT 2 CG2075
101	31409702	SADDLE SET,LOCKING WIRE LES-1010 20P
102	3000000172	SCREW SET,CAP M4*8 NI WSH4*9*0.8 20P
103	31289109AS	CUPSCREW SET,M3*4 NI 100 PCS
104	31199701AS	SCREW SET,SET WP M3*3 NI 20 PCS
105	31089117	SCREW SET,PAN 3*6 NI+PW 100 PCS.



Pos	Code	Description
1	1000020102	COVER,SIDE CG2076
2	1000019406	STAY,COVER CATCH 2 SG-540
3	1000015417	STAY,COVER M SW SG-540
4	1000015411	COVER,SW R SG-540
5	1000015406	STAY,COVER SG-540
6	1000014368	HINGE,BP-151-1
7	1000019711	COVER,MAINTENANCE F CG2076
8	1000015415	COVER,UNDER R SG-540
9	11879107	ABSORBER TK-12
10	1000019642	COVER,MAINTENANCE CG2076
11	1000015414	COVER,PANEL UNDER SG-540
11	1000019412	COVER,PANEL UNDER 2 SG-540
12	1000019686	COVER,FEED MOTOR CG2076
13	1000015537	ASSY,BLE JUNCTION BOARD SG-540
14	1000014067	BLE-MODULE,LBCA2ZZVZE-722
15	3000000216	SADDLE,WIRE WS-2N-V0
16	1000015414	COVER,PANEL UNDER SG-540
17	1000015402	COVER,UNDER L SG-540
18	1000019423	MAGNET,SM-133
19	1000020145	PLATE,COVERL CG2076
20	1000016199	COVER,INK PANEL UNDER VG-640TH
21	1000019730	COVER,FRONT CG2075
22	1000010309	LABEL,EMBLEM LOGO ROLAND F-AR
23	1000014578	KNOB,A-165-4
24	1000019731	PLATE,FRONT COVER CG2075
25	1000019735	STAY,COVER FRONT CG2075
26	21425110	WASHER,COVER FJ-50
27	1000019689	HOOK,INT SW CG2076
28	1000019690	STAY,COVER INT CG2076
29	1000017768	PAD,FRONT COVER CG2023
30	1000019687	SHAFT,COVER CG2076
31	1000019720	SHAFT,COVER FRONT R CG2076
32	1000014485	DAMPER,TD75 B1-1K
33	1000017358	HINGE,COVER INK R CG2032
34	1000014822	LABEL,EMPTY LAMP VG-640#LA2169
35	1000019685	COVER,BACK L CG2076
36	1000019682	COVER,CHASSIS CG2076
37	31379111	CLAMP,CABLE CKS-13-H
38	1000015418	DOCK,TABLET PC SG-540
39	1000019733	PLATE,COVER F CG2075

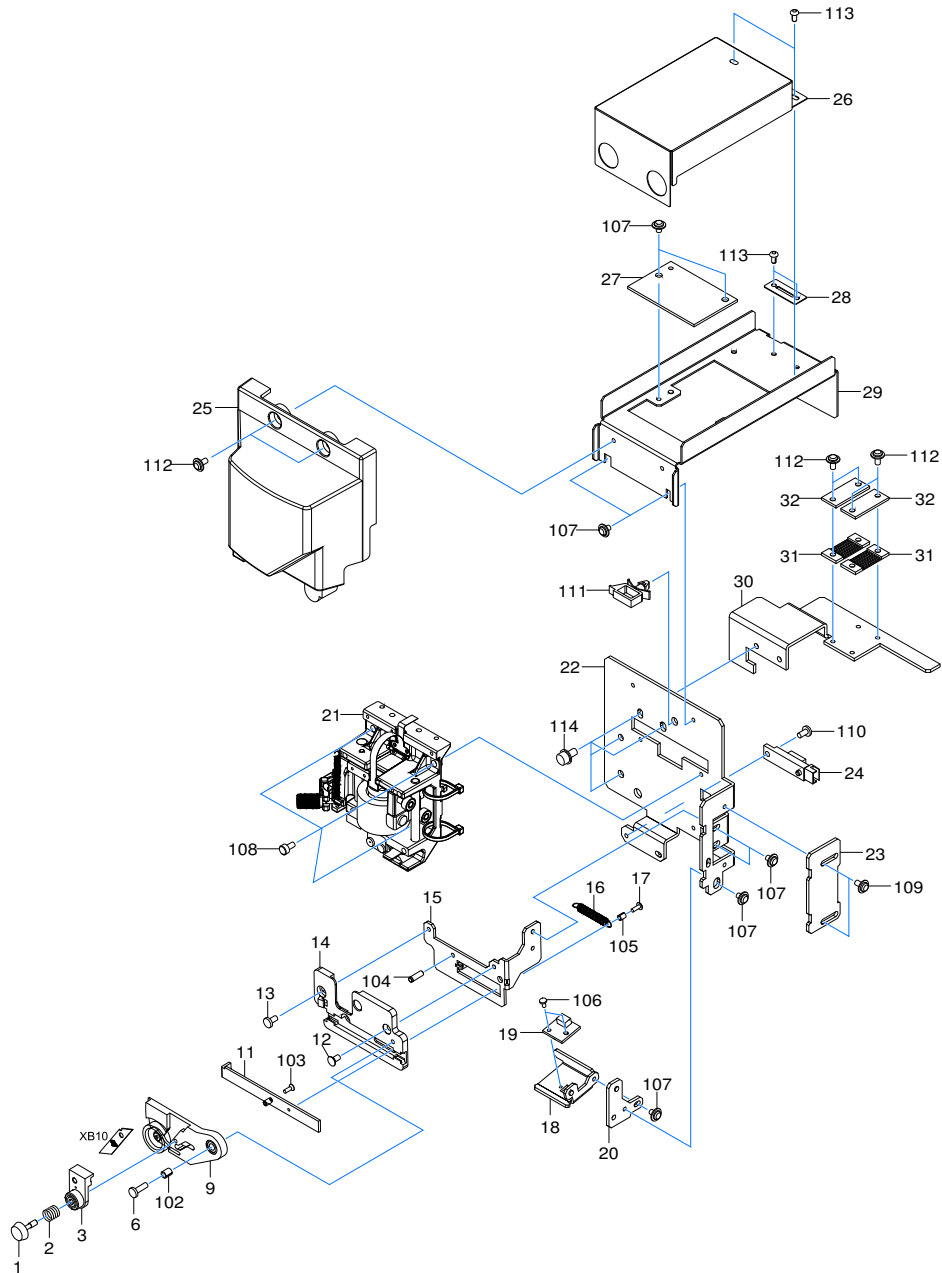


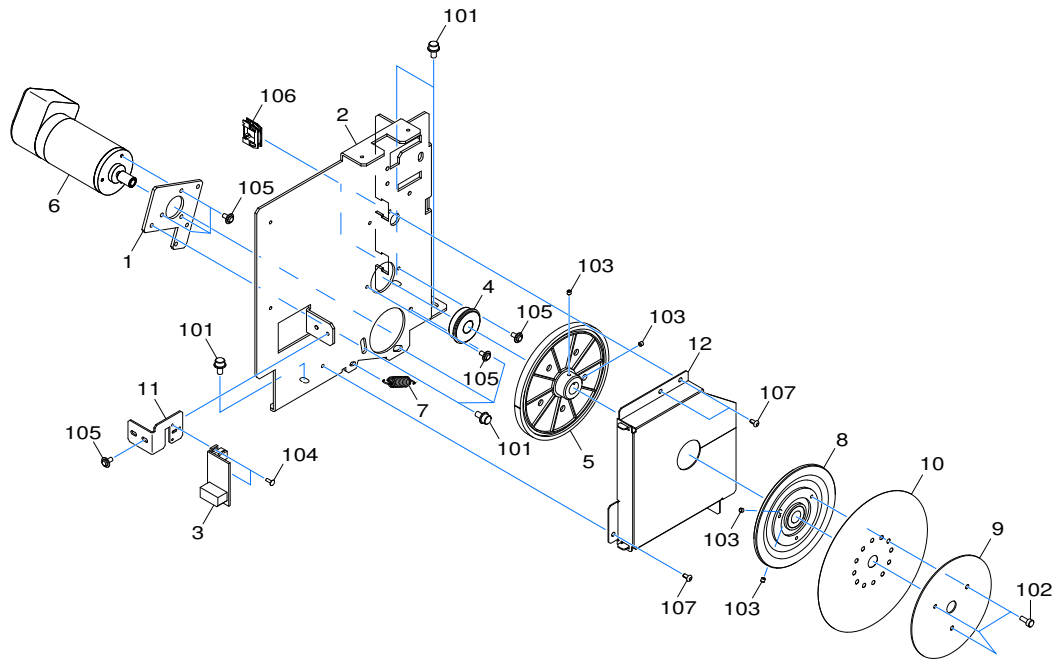
Pos	Code	Description
40	1000019732	COVER, TOP R CG2075
41	1000017762	TRAY, TOOL CG2023
42	1000019734	COVER, RAIL CG2075
43	1000015160	GASKET, STGH 5-8 L=30MM
44	1000014823	LABEL, SET INK 1 VG-640#LA2167
45	1000014824	LABEL, SET INK 2 VG-640#LA2168
46	1000016199	COVER, INK PANEL UNDER VG-640TH
47	12239406	CUSHION, TM-96-6
48	1000019681	COVER, TOP L CG2076
49	1000014364	COVER, INK CARTRIDGE VG-640
50	1000017357	HINGE, COVER INK L CG2032
50	1000020771	HINGE, COVER INK L CG2092
51	1000019414	STAY, COVER INT L 2 VG-640TH
52	1000016195	STAY, COVER INT R VG-640TH
101	31289105AS	CUPSCREW SET, M3*6 3CBC 100 PCS
102	31019703	SCREW, BINDING P-TIGHT M3*8 3C 100P
103	31019149	SCREW SET, BINDING M2.3*8 3CBC 100PCS
104	31329501AS	CLAMP SET, PUSH MOUNT RT30SSF5 20P
105	31049171AS	SCREW SET, CAP M3*12 NI 50 PCS.
106	31029802AS	BUSH SET, ROLL 3*3.5 3C 100PCS.
107	31289102AS	CUPSCREW SET, M3*6 NI 50 PCS.
108	31409702	SADDLE SET, LOCKING WIRE LES-1010 20P
109	31029820	BUSH SET, ROLL 3*2 3C 50PCS
110	3000000431	NABE, 2.5*8 NI 20PCS.
111	31149601	RING SET, PUSH-ON CS CSTW-3 100 PCS
112	3000000200	SCREW SET, CUP 3*8 NI MEKKU 20PCS
113	3000000500	BIND, 5*8 NI
114	31289110AS	CUPSCREW SET, M4*8 3CBC 100 PCS
115	31239103AS	SCREW SET, W-SEMS M3*8 NI+PW 50 PCS



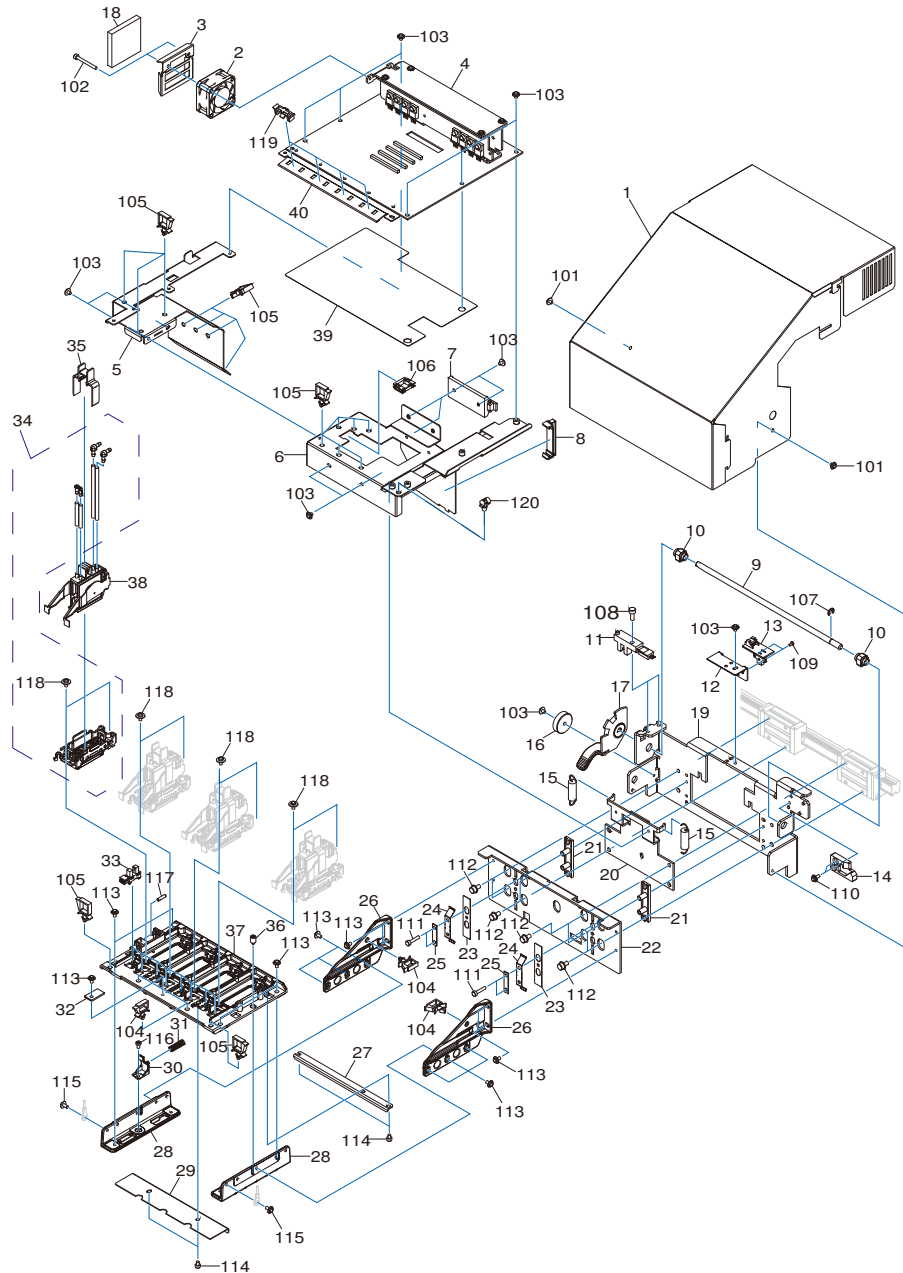
Pos	Code	Description
1	21495115	SCREW,BLADE SET CM-500
2	1000012948	SPRING,SCREW CM-500
3	22805292	ASSY,CLAMP BLADE SV CM-500
6	31019118AS	SCREW SET,BINDING M3*10 3CBC 100PCS
9	22805291	ASSY,HOLDER BLADE SV CM-500
11	22805287	ASSY,PLATE CAM SLIDE SV CM-500
12	31169103AS	SCREW SET,FLAT M3*6 3CBC 100 PCS
13	31019116AS	SCREW SET,BINDING M3*6 3CBC 100 PCS
14	22355656	BASE,CUTTER CM-500
15	1000019639	FRAME,CUTTER CG2076
15	1000020661	FRAME,CUTTER 2 CG2076
16	1000012947	SPRING,BLADE UP CM-500
17	31229103AS	SCREW SET,TRUSS M2*6 NI 100 PCS
18	1000019641	STAY,CROP SENSOR CG2076
19	6000004234	ASSY,CROP SENSOR BOARD CG2075
20	1000019722	PLATE,CUT CARRIAGE CG2076
20	1000021701	PLATE,CUT CARRIAGE2 CG2076
21	6000004664	ASSY,CUT TOOL T CG2076_01
22	1000020249	FRAME,CUT CARRIAGE CG2076
22	1000020660	FRAME,CUT CARRIAGE 2 CG2076
23	1000018764	PLATE,ADJUSTER MAGNET CG2076
24	15099115	SENSOR-INTERRUPTER GP2A25NJ
25	1000014433	COVER,CUT CARRIAGE VG-640
25	1000020806	COVER,CUT CARRIAGE CG2076
26	1000019650	COVER,CUT BOARD CG2076
27	W704890120	ASSY,CUT CARRIAGE CG2075_01
28	1000015428	PLATE,CABLE SLIT SG-540
29	1000019708	STAY,CUT CARRIAGE BOARD CG2076
30	1000014593	STAY,HOLDER BELT VG-640
31	1000015114	HOLDER,BELT EGX-600_01
32	1000020055	COVER,BELT HOLDER EGX-600TH
102	31029803AS	BUSH SET,ROLL 3*5 3C 20PCS.
103	31169111	SCREW SET,FLAT M2*6 NI 100 PCS.
104	3000000617	SET-SCREW,FP 3*10 3C MEKKU
105	31029801AS	BUSH SET,ROLL 2*4 3C100PCS
106	31019169	SCREW SET,BINDING M2*4 NI 100 PCS.
107	31289109AS	CUPSCREW SET,M3*4 NI 100 PCS
108	31049105AS	SCREW SET,CAP M3*6 3CBC 20 PCS
109	31089117	SCREW SET,PAN 3*6 NI+PW 100 PCS.
110	31019116AS	SCREW SET,BINDING M3*6 3CBC 100 PCS

Pos	Code	Description
111	31409801AS	SADDLE, LOCKING WIRE LWS-0711Z 20P
112	31289102AS	CUPSCREW SET, M3*6 NI 50 PCS.
113	31299102AS	RIVET SET, NYLON P2655B 20 PCS.

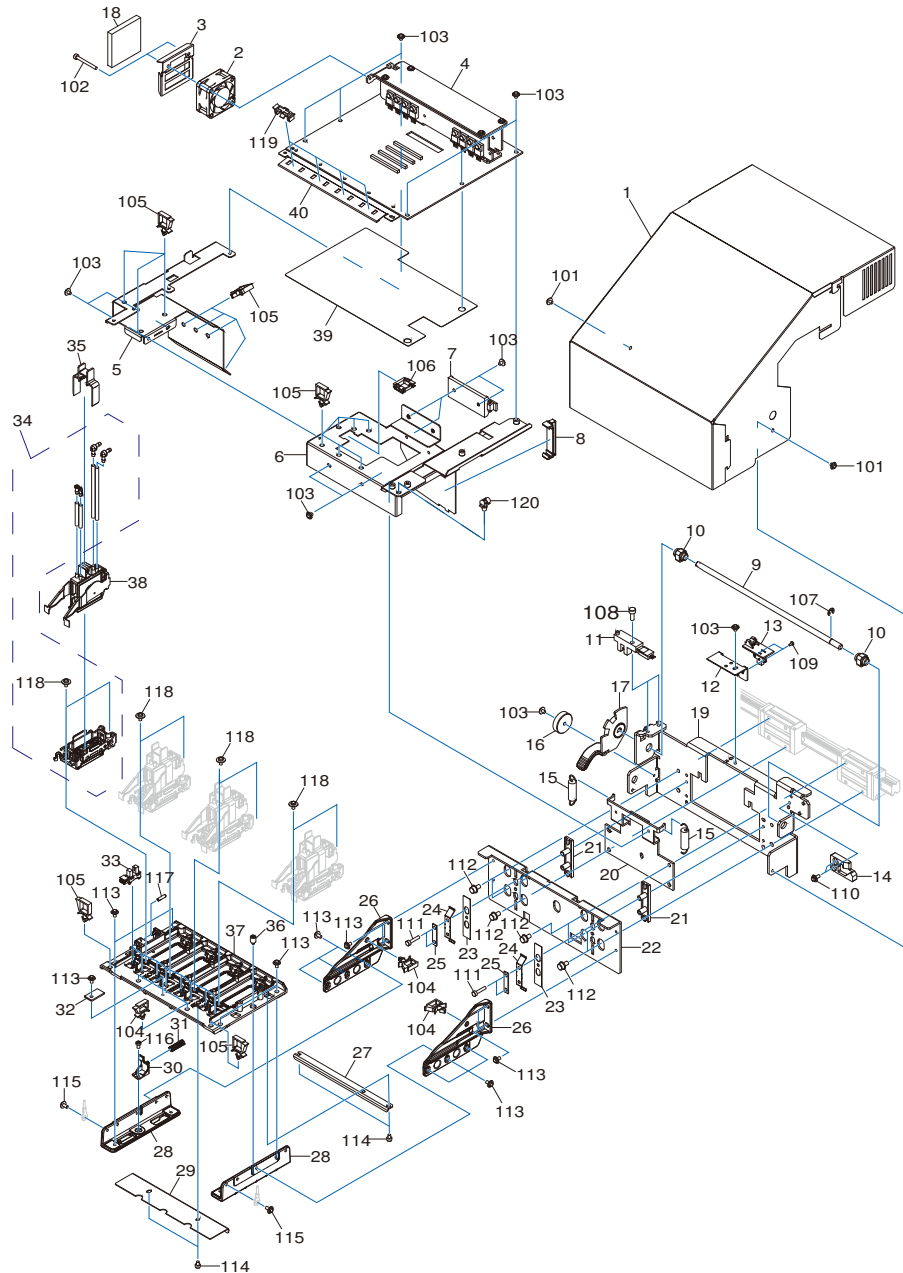




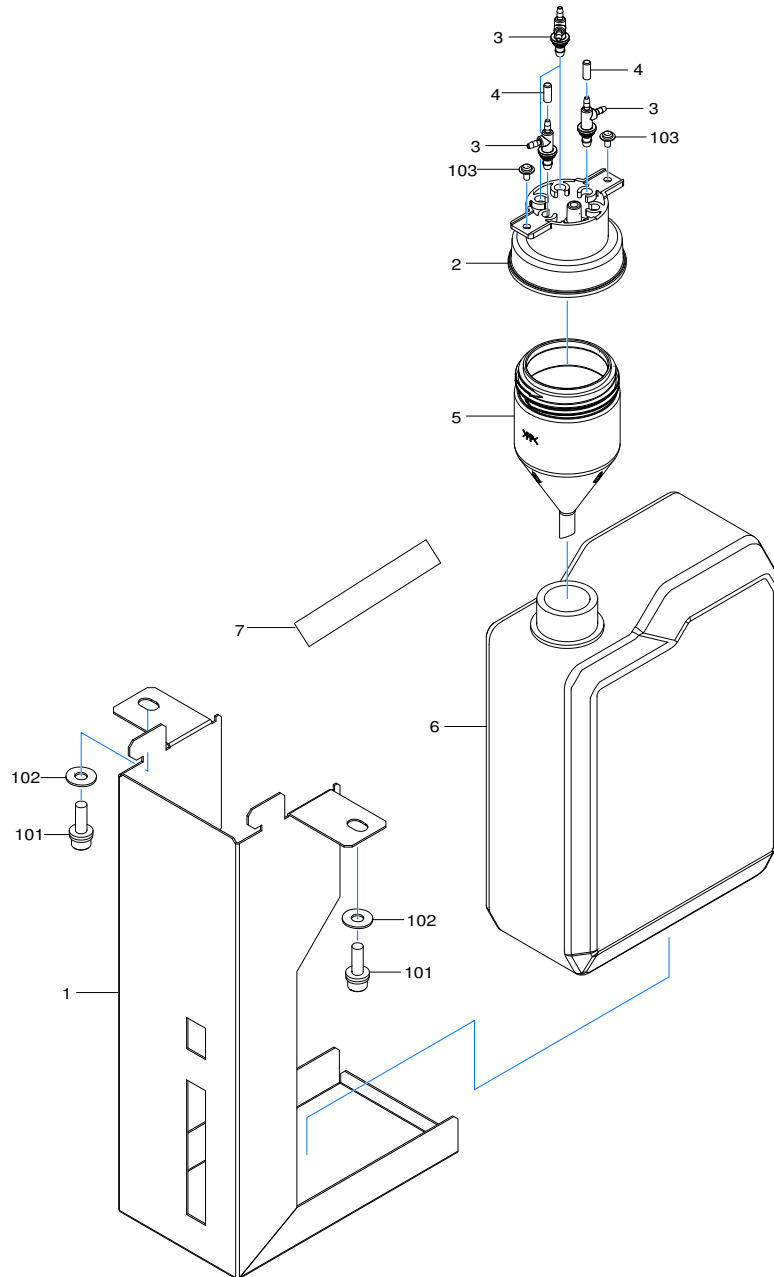
Pos	Code	Description
1	1000014906	FLANGE,MOTOR FEED VS-640I
2	1000014355	STAY,SUPPORT RAIL R VG-640
2	1000017230	STAY,SUPPORT RAIL R VG-640 TH
2	1000019709	STAY,SUPPORT RAIL R CG2076
3	W704890130	ASSY,GRIT ENCODER CG2075_01
4	1000006709	R-BEARING,6000ZZNR*NS7S
5	21685128	GEAR H300 S10(B6C16POM)
6	6000003427	ASSY,FEED MOTOR SV VG-640 T
7	22175157	SPRING,C P-ROLLER CM-500
8	1000002593	FLANGE,GRIT-ENCORDER VP-540
9	1000015595	STOPPER,GRIT-ENCORDER VP-540
10	1000002162	SHEET,ROTARY DISK SLIT 360LPI
11	1000014904	STAY,G-ENCODER SENSOR VP-540
12	1000014121	COVER,FEED GEAR RE-640
101	3000000172	SCREW SET,CAP M4*8 NI WSH4*9*0.8 20P
102	31049170AS	SCREW SET,CAP M3*8 NI 50 PCS.
103	31199701AS	SCREW SET,SET WP M3*3 NI 20 PCS
104	31229103AS	SCREW SET,TRUSS M2*6 NI 100 PCS
105	31289102AS	CUPSCREW SET,M3*6 NI 50 PCS.
106	31409702	SADDLE SET,LOCKING WIRE LES-1010 20P
107	31299102AS	RIVET SET,NYLON P2655B 20 PCS.



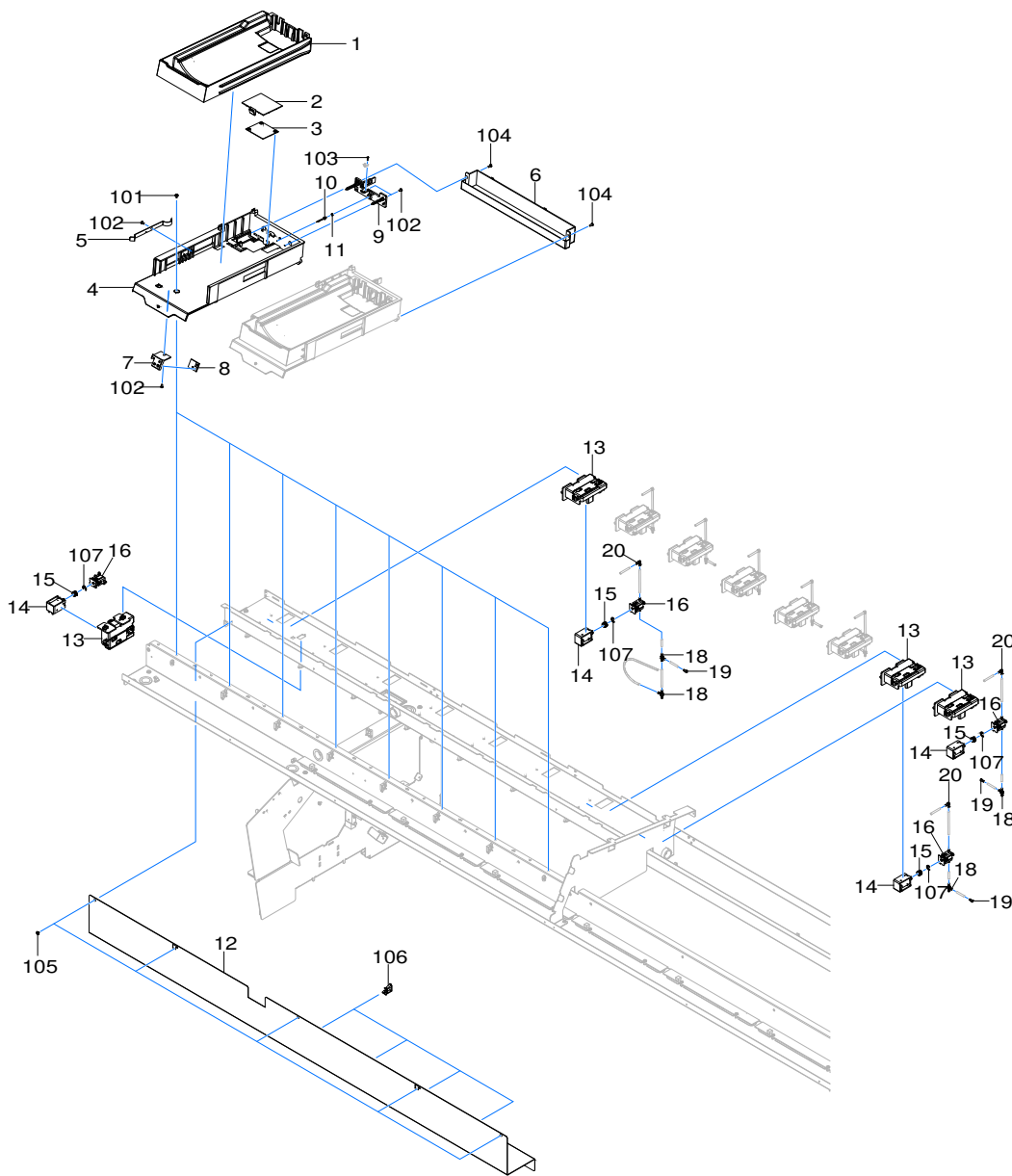
Pos	Code	Description
1	1000020028	COVER,PRINT CARRIAGE CG2076
2	1000018524	FAN,109P0424H642_80
3	1000019713	STAY,CARRIAGE FILTER CG2076
4	6000004253	ASSY,PRINT CARRIAGE BOARD CG2075
5	1000019636	STAY,CARRIAGE TUBE CG2076
6	1000019710	STAY,HOLDER CARRIAGE B CG2076
7	11769118	CLAMP,FCM2-S6-14
8	1000014756	GUIDE,TUBE VG-640
9	1000019637	SHAFT,CARRIAGE CG2076
10	1000019707	CAM,CARRIAGE CG2076
11	1000006689	SENSOR-INTERRUPTER,EE-SX4009-P1
12	1000015477	PLATE,ENC SENS SG-540
13	1000015533	ASSY,LINEAR ENCODER BOARD SG-540
14	21345105	LOCK,CJ-500
15	1000020071	SPRING,PULL CARRIAGE 5700 VG-640TH
16	1000011928	MAGNET,SMF-2144
17	1000019638	LEVER,CARRIAGE CG2076
18	1000019714	FILTER,CARRIAGE CG2076
19	1000018778	BASE,HOLDER CARRIAGE CG2076
19	1000020800	BASE,HOLDER CARRIAGE CG2076_TH
19	1000022213	BASE,HOLDER CARRIAGE2 CG2076_TH
20	1000014213	SUPPORT,CARRIAGE BOARD EJ-640
21	1000015113	SLIDER,CARRIAGE FJ-540_02
22	1000020069	FRAME,CARRIAGE U/D VG-640TH
23	1000020067	PLATE,SLIDER CARRIAGE FJ-540TH
24	1000014902	SPRING,CARRIAGE SIDE FJ-50
25	1000010186	SPACER,CARRIAGE SLIDE XF-640
26	1000014771	BASE,CARRIAGE SIDE ADC VG-640
27	1000016913	COVER,IJ HEAD REAR VG-640
28	1000014773	STAY,CARRIAGE ADC VG-640
29	1000019102	COVER,CARRIAGE MIST VG-640_02
30	1000014774	BLOCK,ADJUST CARRIAGE VG-640
31	1000015480	SPRING,CARRIAGE SIDE SG-540
32	1000015534	ASSY,THERMISTOR BOARD SG-540
33	1000011069	SENSOR-INTERRUPTER,OJ-535S-A5
34	6000004770	ASSY,IJ HEAD SOL 250L SV CG2076
35	1000015045	GUARD,FFC HEAD VG-640
36	1000015479	PIN,PIVOT SCREW SG-540
37	1000018832	BASE,CARRIAGE ADC VG-640_02
38	1000019701	ASSY,DAMPER DOUBLE CIR CG2075



Pos	Code	Description
39	1000020736	COVER,CARRIAGE BOARD UNDER2 CG2076
40	1000019712	STAY,HEAD FFC CG2076
101	31089110AS	SCREW SET,PAN M3*4 NI+PW 100 PCS
102	3000000465	CAP-SCREW,3*30 NI 100PCS
103	31289109AS	CUPSCREW SET,M3*4 NI 100 PCS
104	31409801AS	SADDLE,LOCKING WIRE LWS-0711Z 20P
105	31409811AS	SADDLE SET,LOCKING WIRE LWS-1211Z 20P
106	31409702	SADDLE SET,LOCKING WIRE LES-1010 20P
107	31149703AS	RING SET,E-RING ETW-4 100 PCS.
108	31049173AS	SCREW SET,CAP M4*10 NI 50 PCS.
109	31019169	SCREW SET,BINDING M2*4 NI 100 PCS.
110	31239125AS	SCREW SET,W-SEMS M3*8 SUS 50 PCS.
111	31799103	SCREW SET,CAP M3*15 NI 20PCS
112	3000000172	SCREW SET,CAP M4*8 NI WSH4*9*0.8 20P
113	31089117	SCREW SET,PAN 3*6 NI+PW 100 PCS.
114	31049119	SCREW SET,CAP M3*4 NI 20PCS.
115	31289102AS	CUPSCREW SET,M3*6 NI 50 PCS.
116	3000000414	LH-SCREW,CSHBTT-SUS-M3-5 20PCS
117	3000000413	SET-SCREW,MARUSAKI_3_12_NI 20PCS
118	3000000415	NABE,3*6 NI WASHER D5 20PCS
119	3000000549	CLAMP,WIRE PRESS RFC-16V0
120	31329501AS	CLAMP SET,PUSH MOUNT RT30SSF5 20P

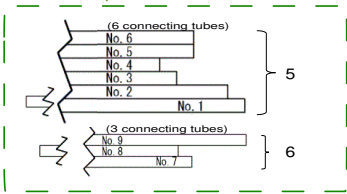
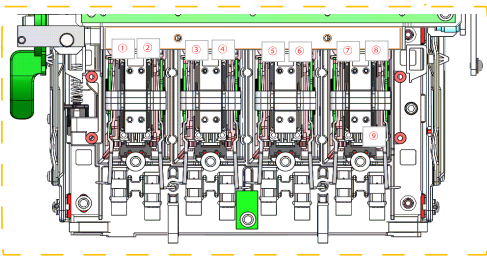
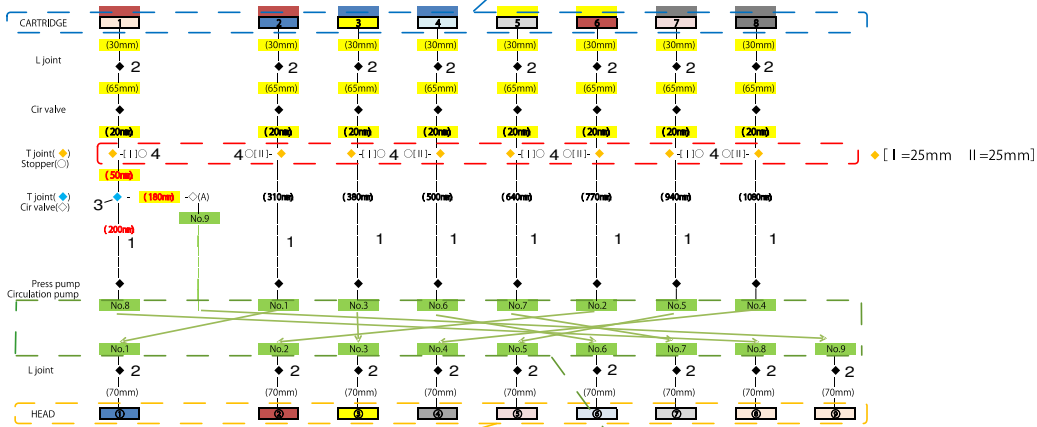
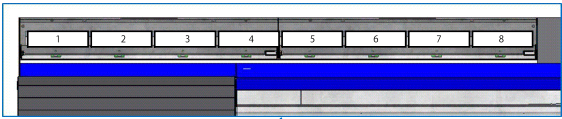


Pos	Code	Description
1	1000019656	HOLDER,BOTTLE INK CG2076
1	1000020945	HOLDER,BOTTLE INK2 CG2076
2	1000019746	CAP,PP BOTTLE CG2075
3	1000001577	ADAPTER,TUBE 2-4-T XC-540
4	1000002019	STOPPER,PUMP XC-540
5	1000019739	GUIDE,INK FUNNEL CG2075
6	11369122	CASE,PE BOTTLE 5-038-03
7	1000021531	LABEL,GUIDE DRAIN BOTTLE#LA3662
101	31049157	SCREW,CAP M6*20 3CBC+PW+SW
102	31249220AS	WASHER SET,PLAIN 6.5*16*1 NI 100PCS
103	31089117	SCREW SET,PAN 3*6 NI+PW 100 PCS.

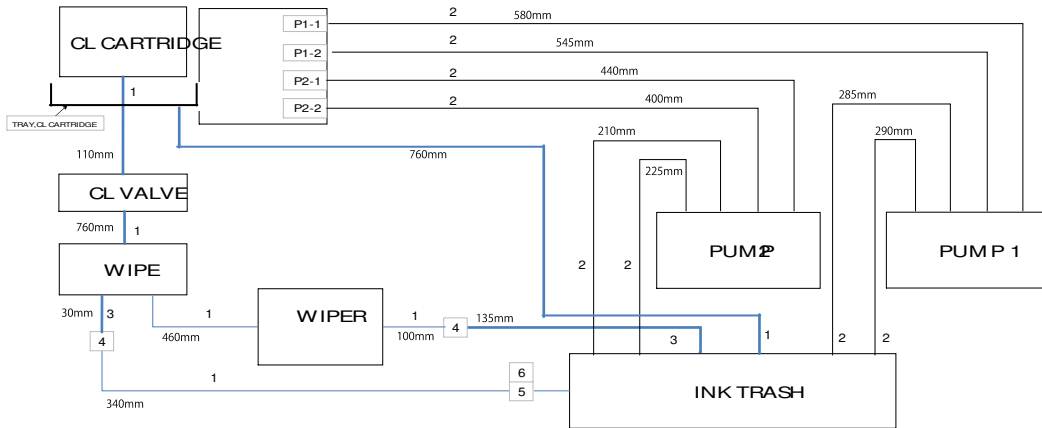


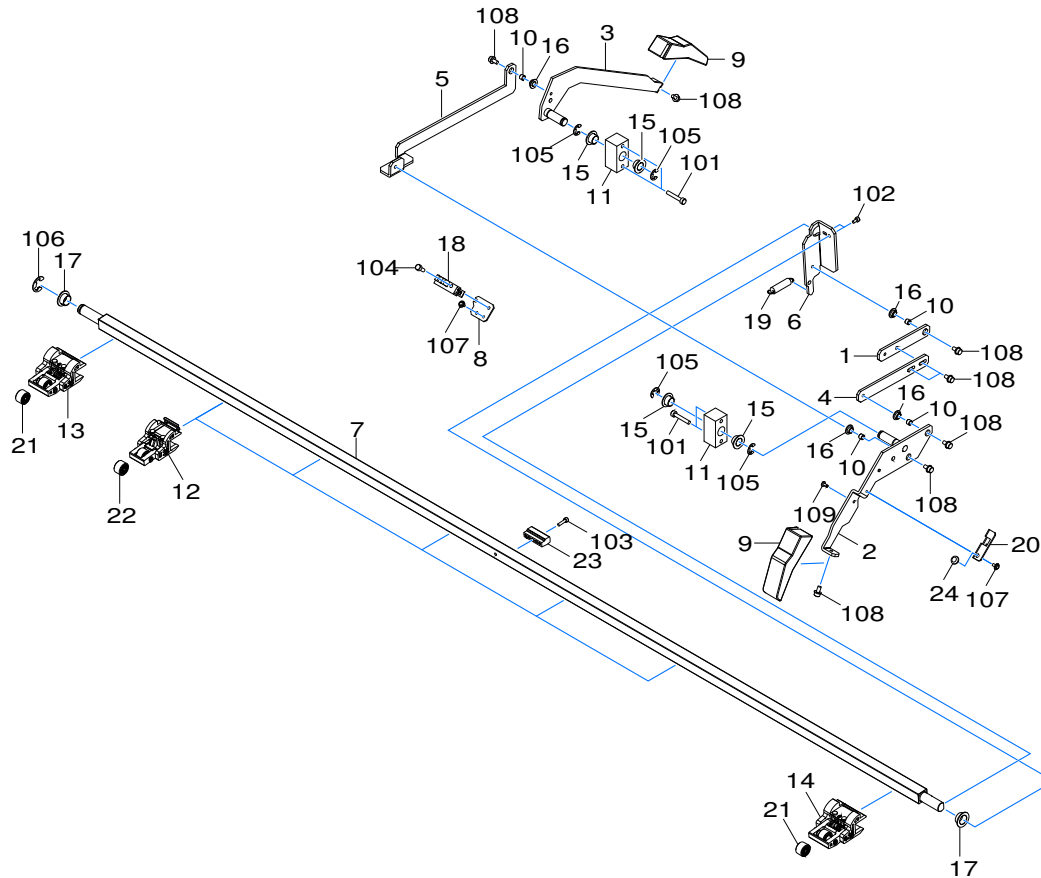
Pos	Code	Description
1	1000014586	TRAY, INK POUCHES VG-640
2	1000017439	COVER,RFID I/C CG2023
3	1000014128	RFID-MODULE,LXRFZZHAAA-022
4	1000017436	FRAME,HOLDER I/C CG2023
5	1000017438	SPRING,PLATE I/C CG2023
6	1000017443	TRAY,INK HOLDER CG2023
7	1000017453	HOLDER,CARTRIDGE LED CG2023
8	1000017428	ASSY,CARTRIDGE LED BOARD CG2032
9	1000017435	HOLDER,NEEDLE I/C CG2023
10	1000014443	NEEDLE,FAI1.2 VG-640
11	1000007988	RING,O 1.1*5.5
12	1000019761	COVER,INK TUBE ROUTE CG2076
13	1000017442	HOLDER,CIRCULATION VALVE CG2023
14	1000014297	SOLENOID,TDS-08A DC-24V TYPE2
14	1000018523	SOLENOID,TDS-08A DC-24V TYPE2
15	1000011883	SPRING,CHOKE RF-640
15	1000020061	SPRING,VALVE BIF-2TH
16	1000019097	VALVE,CHOKE CG2057
18	1000017902	ADAPTER,JUNCTION 3T CG2023
19	1000017900	PLUG,STOPPER FAI3 CG2023
20	1000017901	ADAPTER,JOINT 3L CG2023
101	31289105AS	CUPSCREW SET, M3*6 3CBC 100 PCS
102	31019702AS	SCREW SET,BIND P-TIGHT M3*6 3C 100P
103	3000000412	BIND,P-TIGHT 2*8 3C 20PCS.
104	31019703	SCREW,BINDING P-TIGHT M3*8 3C 100P
105	31289109AS	CUPSCREW SET,M3*4 NI 100 PCS
106	31409811AS	SADDLE SET,LOCKING WIRE LWS-1211Z 20P
107	31149704AS	RING SET,E-RING ETW-6 SUS 100 PCS

Pos	Code	Description
1	3000000489	TUBE,PT05-RDG 3X3.8 100M
2	1000017901	ADAPTER,JOINT 3L CG2023
3	1000017902	ADAPTER,JUNCTION 3T CG2023
4	1000017900	PLUG,STOPPER FAI3 CG2023
5	1000020840	TUBE,PT05-RDG 3X3.8 LINK6 CG2075_TH
6	1000020839	TUBE,PT05-RDG 3X3.8 LINK3 CG2075_TH



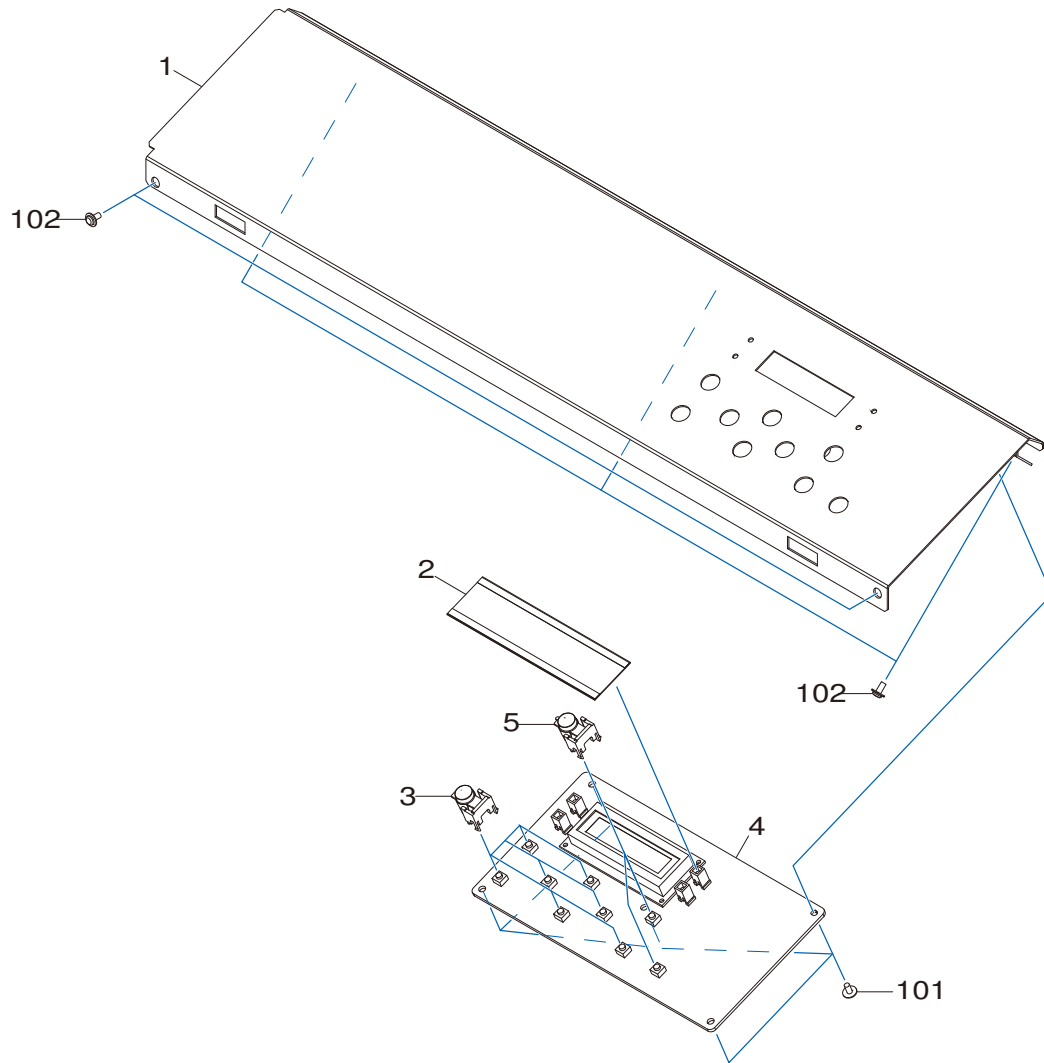
Pos	Code	Description
1	3000000489	TUBE,PT05-RDG 3X3.8 100M
2	3000000551	TUBE,IIR 1.8-3.8 100M
3	3000000422	TUBE,TM-15 6*8 50M
4	1000017828	ADAPTER,JUNCTION MCS3060
5	1000001577	ADAPTER,TUBE 2-4-T XC-540
6	1000002019	STOPPER,PUMP XC-540



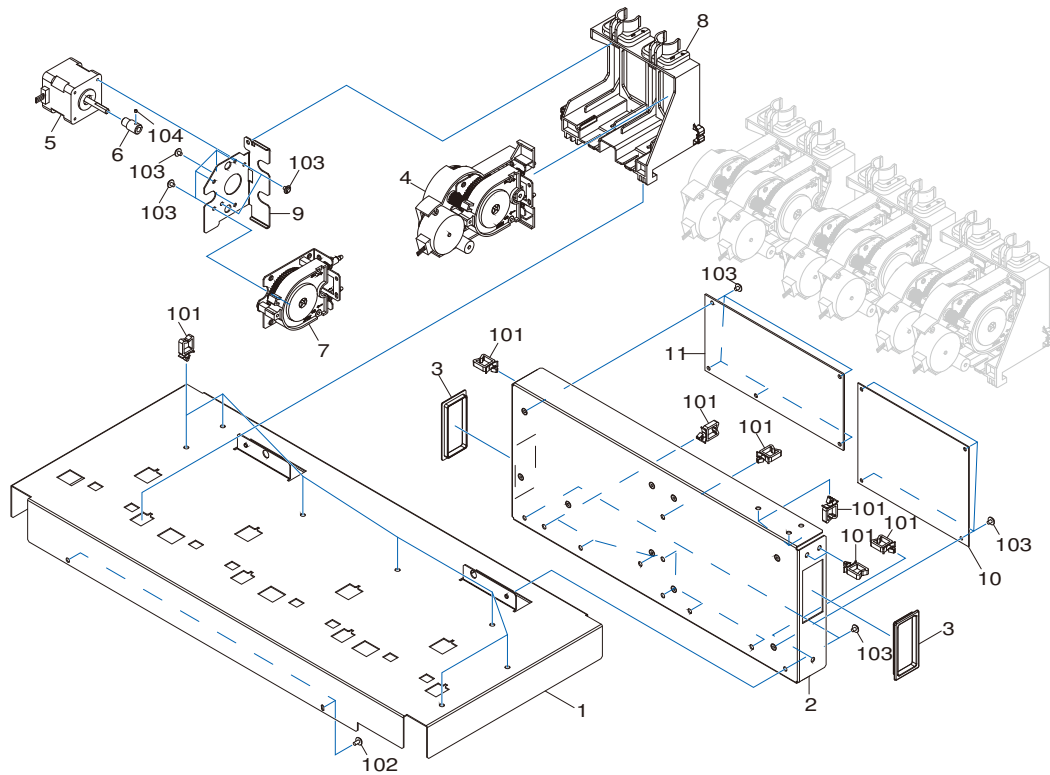


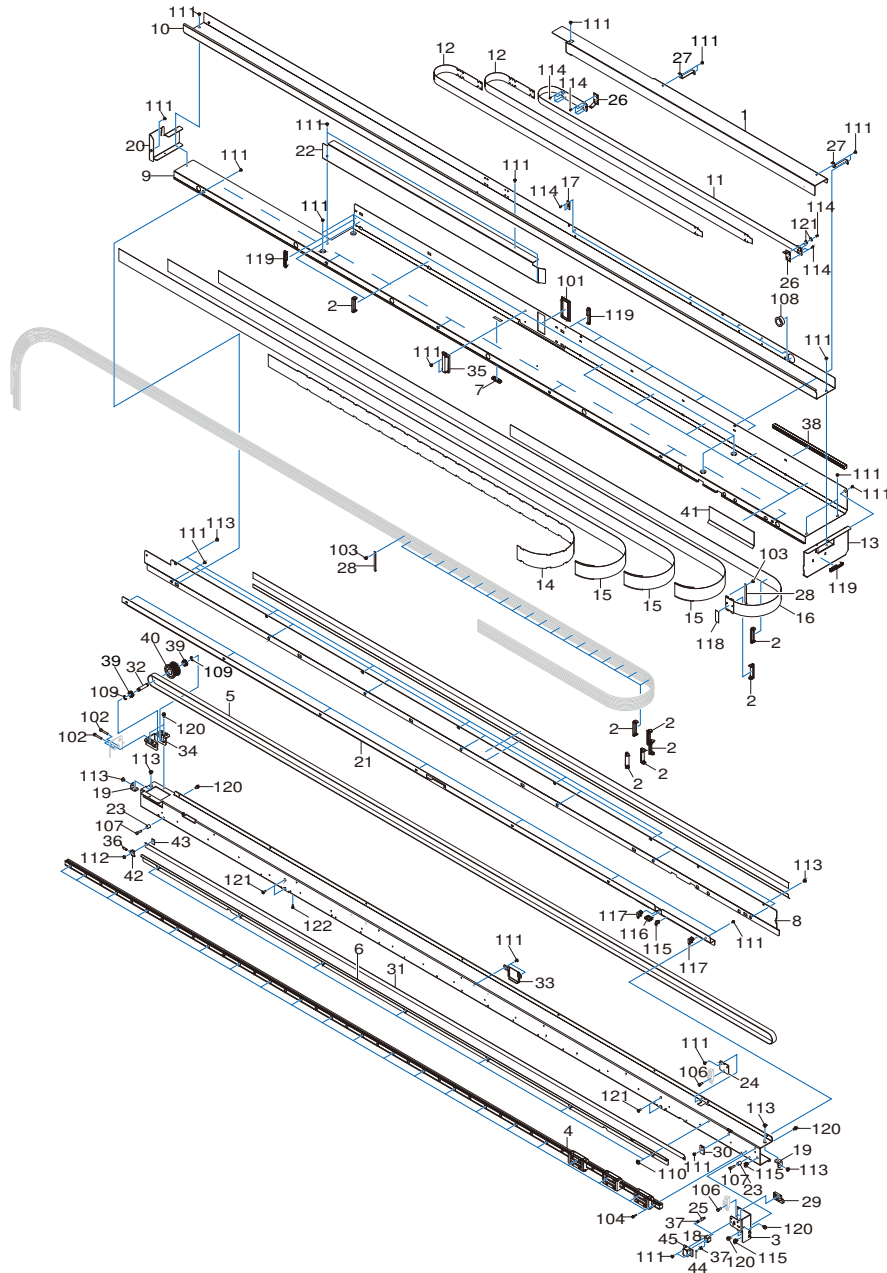
Pos	Code	Description
1	1000015384	STAY,LEVER ADJ SG-540
2	1000019046	LEVER,CAM PINCH FRONT CG2076 TH
3	1000016837	LEVER,CAM PINCH REAR SG-540_01
4	1000016838	STAY,LINK FRONT SG-540_01
5	1000015388	STAY,LINK REAR SG-540
6	1000020259	PLATE,LINK SUPPORT CG2076
7	1000018801	SHAFT,SQUARE CG2075
8	1000014401	STAY,PINCH SENS VG-640
9	1000014431	KNOB,VG-640
10	1000012953	COLLAR,LEVER FJ-540
11	22035196	STAND,LEVER SP-300
12	6000003918	ASSY,PINCHROLL C CG2023
13	6000004755	ASSY,PINCHROLL L CG2076
13	6000005216	ASSY,PINCHROLL L CG2076_TH
14	6000004754	ASSY,PINCHROLL R CG2076
14	6000005217	ASSY,PINCHROLL R CG2076_TH
15	12159563	BUSH,80F-1006
16	12159573	BUSH,80F-0603
17	12159508	BUSH,SHAFT OILES 80F-1206
18	1000006689	SENSOR-INTERRUPTER,EE-SX4009-P1
19	1000012989	SPRING,PINCH PNC-1850
20	1000018791	STAY,LEVER CUSHION CG2076
21	6000003824	ASSY,P-ROLLER TD16S4(B10) TYPE 2_01
22	6000003823	ASSY,P-ROLLER FD16S4(B10) TYPE 2_01
23	1000018591	STOPPER,SHAFT SQUARE CG2023
24	12239406	CUSHION,TM-96-6
101	3000000423	CAP-SCREW,4*25 3CBC 100PCS
101	31049137AS	SCREW SET,CAP M4*25 3CBC 20 PCS
102	31049142AS	SCREW SET,CAP M3*6 NI MEC 20 PCS
103	31049171AS	SCREW SET,CAP M3*12 NI 50 PCS.
104	31049173AS	SCREW SET,CAP M4*10 NI 50 PCS.
105	31149705	RING SET,E-RING ETW-7 SUS 50PCS
106	31149706AS	RING SET,E-RING ETW-10 SUS 20 PCS
107	31289102AS	CUPSCREW SET,M3*6 NI 50 PCS.
108	3000000172	SCREW SET,CAP M4*8 NI WSH4*9*0.8 20P
109	31159904	RIVET SET,NYLON P3065B 20 PCS.

Pos	Code	Description
1	1000019680	COVER,PANEL CG2076
2	1000014417	SHEET,PANEL VG-640
3	1000020096	KEY, TOP BLUE CG2076
4	6000004230	ASSY,PANEL BOARD CG2075
5	1000014481	KEY, TOP BLACK VG-640
101	31289102AS	CUPSCREW SET, M3*6 NI 50 PCS.
102	31289105AS	CUPSCREW SET, M3*6 3CBC 100 PCS

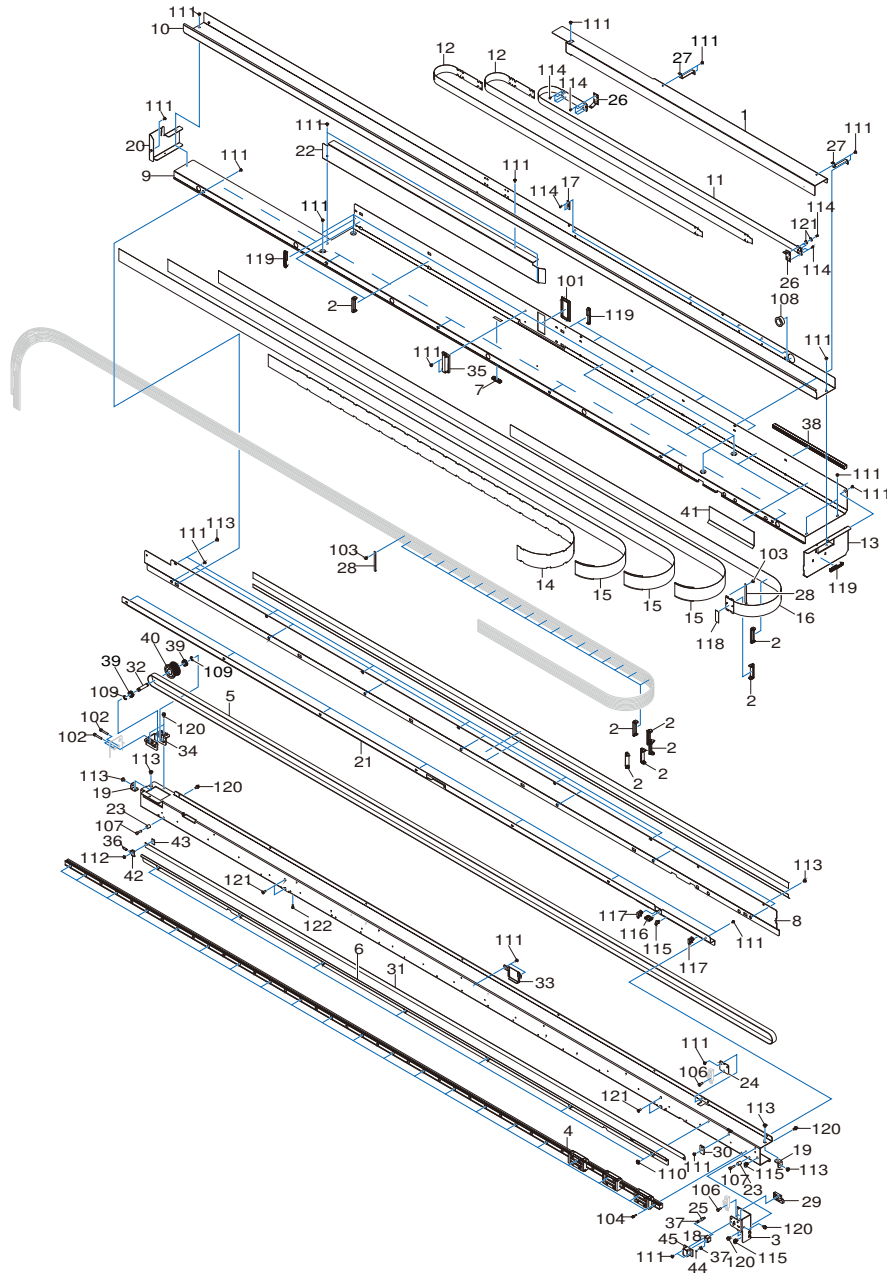


Pos	Code	Description
1	1000019754	PLATE,UNDER L CG2076
2	1000019753	STAY,INKSYSTEM BOARD CG2076
3	31029106	BUSH,SQUARE SB-6025
4	6000004661	ASSY,PRESS PUMP SV CG2076
4	6000005252	ASSY,PRESS PUMP SV2 CG2076
5	1000007733	MOTOR,XS-5208-064
6	1000012988	GEAR,S10B20
7	6000005113	ASSY,CIRCULATING PUMP SV CG2076
7	6000005251	ASSY,CIRCULATING PUMP SV2 CG2076
8	1000017440	HOLDER, PRESS PUMP CG2023
9	1000017460	BRACKET, PUMP MOTOR CG2023
10	6000004232	ASSY,INKSYSTEM RFID BOARD CG2075
11	6000004231	ASSY,EXT 9CH MTR BOARD CG2075
101	3000000216	SADDLE,WIRE WS-2N-V0
102	31289102AS	CUPSCREW SET,M3*6 NI 50 PCS.
103	31289109AS	CUPSCREW SET,M3*4 NI 100 PCS
104	31199701AS	SCREW SET,SET WP M3*3 NI 20 PCS



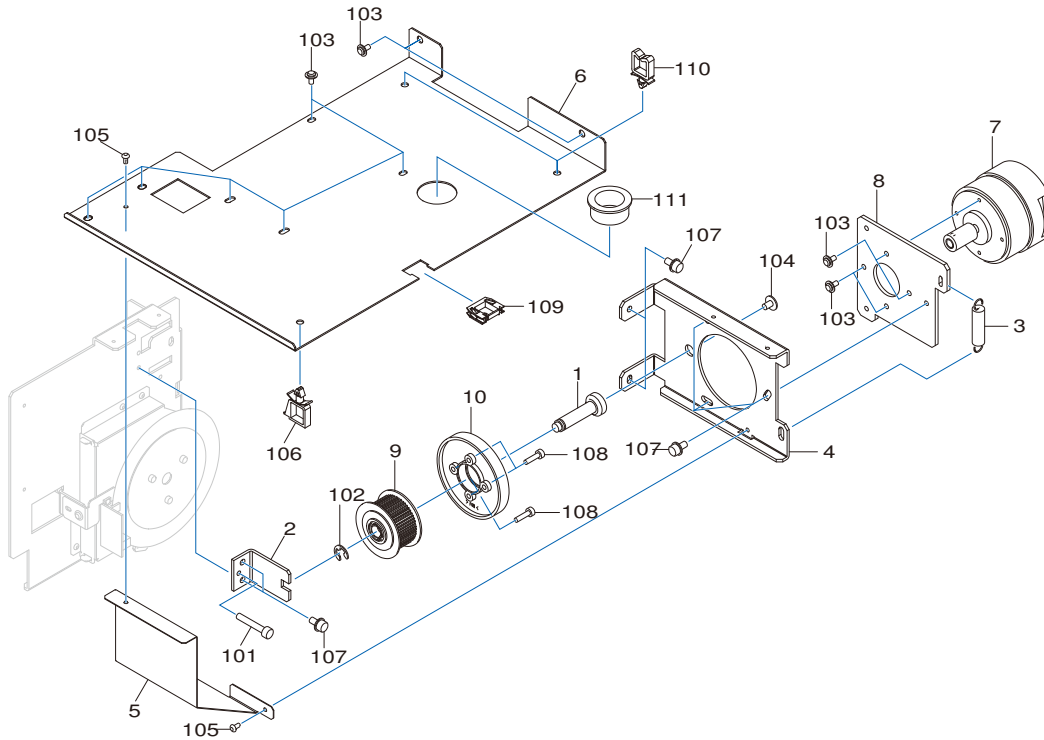


Pos	Code	Description
1	1000010579	SUPPORT,CUT CABLE VS-640I
2	1000014756	GUIDE,TUBE VG-640
3	1000015351	STAY,LOCK SG-540
4	1000015357	L-BEARING,SSR15XW1GGC1E/2GC1E+2320L
5	1000015650	BELT,150S2M2459LW-C
6	1000015359	RAIL,LINER SCALE SG-540
7	1000015160	GASKET,STGH 5-8 L=30MM
8	1000019728	PLATE,RAIL REAR 2 CG2075
9	1000019725	FRAME,SUPPORT RAIL CG2075
10	1000019041	GUIDE,CUT CABLE CG2075
11	1000015658	PLATE,CUT CABLE VG-540
12	1000015380	SHEET,CUT CABLE SG-540
13	1000015367	COVER,RAIL SIDE R SG-540
14	1000015372	HOLDER,CABLE F SG-540
15	1000015648	SHEET,HOLDER CABLE VG-540
16	1000015647	PLATE,HOLDER CABLE VG-540
17	1000015428	PLATE,CABLE SLIT SG-540
18	1000016170	SLIDER,LOCK CJ-70_02
19	1000015362	STAY,RAIL GUIDE SG-540
20	1000018776	COVER,RAIL SIDE L CG2076
21	1000019723	STAY,RAIL UNDER CG2075
22	1000015371	SUPPORT,GUIDE CABLE SG-540
23	31129102	PIPE SET,POLYCA 4*8*10 20PCS
24	1000019040	PLATE,CUT ORIGIN CG2076 TH
25	1000012944	SHAFT,LOCK CJ-70
25	22295117	SHAFT,LOCK CJ-70
26	1000015101	PLATE,GND C VG-640
27	1000020082	STAY,GND VG-640TH
28	1000015103	PLATE,GND P VG-640
29	21345105	LOCK,CJ-500
30	22135441	STOPPER,LINER SCALE FJ-540
31	1000003665	SHEET,LINER SCALE XJ-540
32	1000001479	SHAFT,IDLE PULLEY XC-540
33	1000018784	HOLDER,STOPPER SHAFT SQ CG2076
34	1000001555	HOLDER,IDLE PULLEY XC-540
35	11769118	CLAMP,FCM2-S6-14
36	22175122	SPRING,BACK UP PNC-960
37	22175134	SPRING,A CJ-70
38	1000015159	GASKET,STGH 10-10 L=300MM
39	22175815	BEARING F8-16ZZ

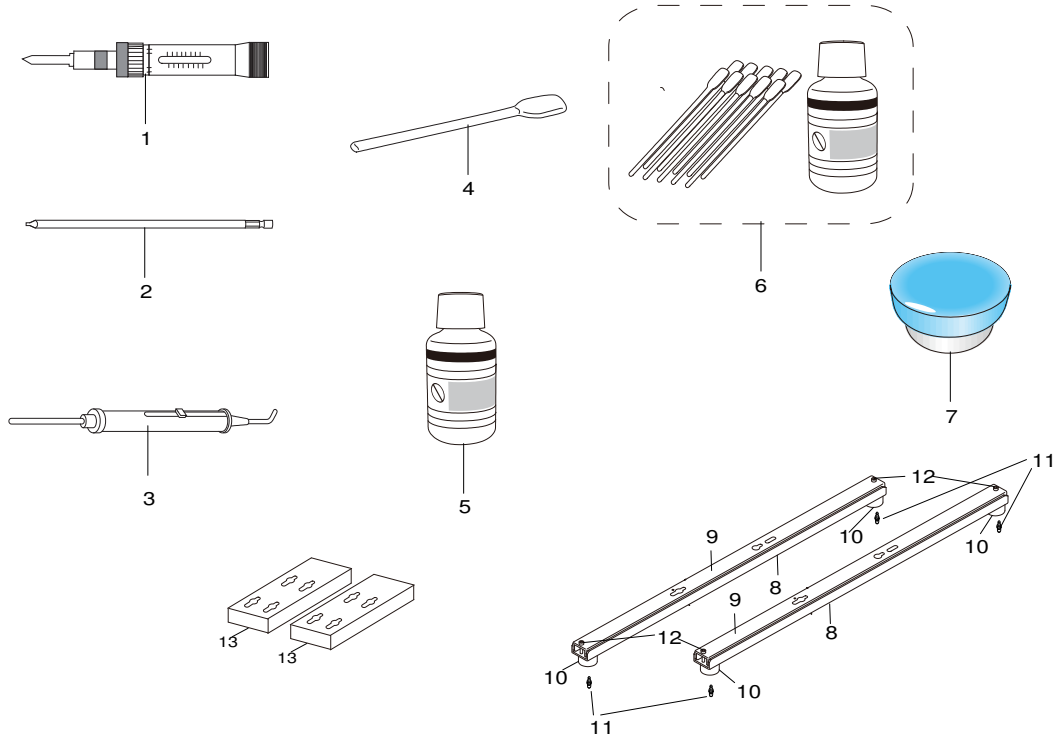


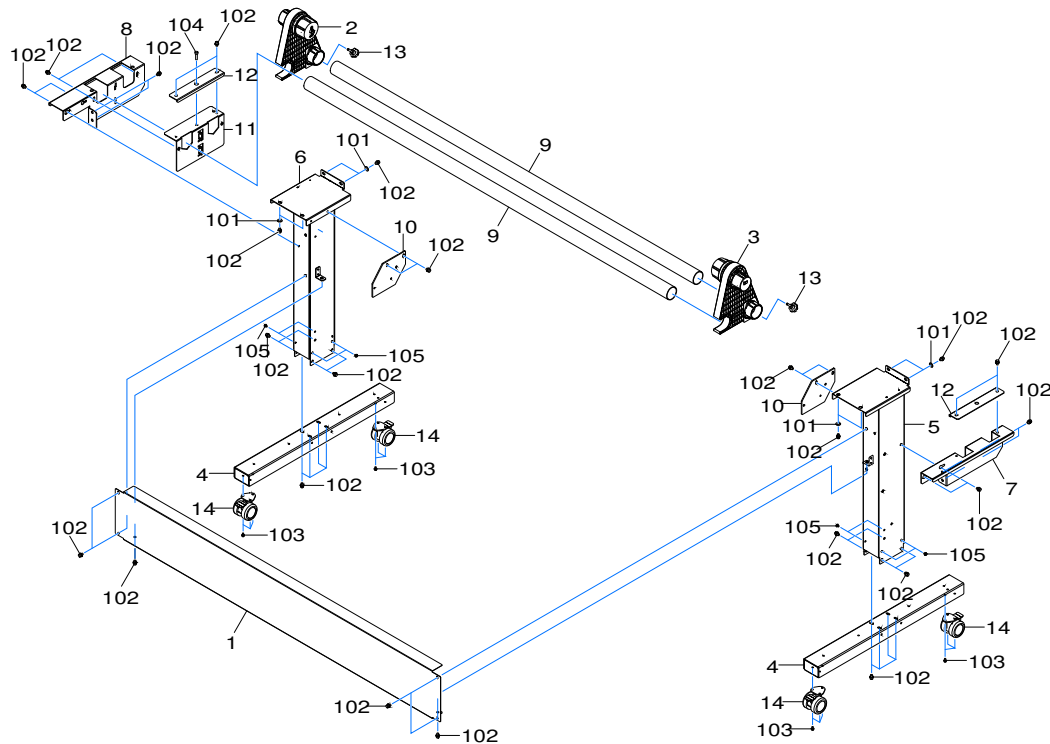
Pos	Code	Description
40	1000001904	PULLEY,T55P2S16(B21C26)
41	1000003089	SHEET,FRAME SUPPORT RAIL VP-540
42	21655131	HOLDER,LINEAR SCALE CJ-70
43	22055316	PLATE,LINEAR SCALE CJ-70
44	11869103	BALL,4MM
45	1000016171	CASE,LOCK CJ-70_02
45	21365103	CASE,LOCK CJ-70
101	31029106	BUSH,SQUARE SB-6025
102	3000000423	CAP-SCREW,4*25 3CBC 100PCS
102	31049137AS	SCREW SET,CAP M4*25 3CBC 20 PCS
103	31049154AS	SCREW SET,CAP M3*6 NI+PW 20 PCS
104	31049155AS	SCREW SET,CAP M3*12 BC+PW 20 PCS.
105	3000000259	WASHER SET,POM CC-0310-10 20PCS
106	31049173AS	SCREW SET,CAP M4*10 NI 50 PCS.
107	31049174AS	SCREW SET,CAP M4*15 NI 20 PCS.
108	31029101	BUSH,NB-19
109	31149704AS	RING SET,E-RING ETW-6 SUS 100 PCS
110	31239103AS	SCREW SET,W-SEMS M3*8 NI+PW 50 PCS
111	31289102AS	CUPSCREW SET,M3*6 NI 50 PCS.
112	31289109AS	CUPSCREW SET,M3*4 NI 100 PCS
113	31289111AS	CUPSCREW SET, M4*6 NI 100 PCS.
114	31299102AS	RIVET SET,NYLON P2655B 20 PCS.
115	31329501AS	CLAMP SET,PUSH MOUNT RT30SSF5 20P
116	31409702	SADDLE SET,LOCKING WIRE LES-1010 20P
117	31409801AS	SADDLE,LOCKING WIRE LWS-0711Z 20P
118	31549101	3M 898 FILAMENT TAPE 12MM*50M
119	3000000033	CLAMP,WIRE PLESS RFC-45VO
120	3000000172	SCREW SET,CAP M4*8 NI WSH4*9*0.8 20P
121	3000000400	CAP-SCREW,4*10 NI NS ULTRA LOW HEAD
122	31049170AS	SCREW SET,CAP M3*8 NI 50 PCS.

Pos	Code	Description
1	1000001480	SHAFT,DRIVE PULLEY XC-540
2	1000002534	STAY,SHAFT DRIVE PULLEY VP-540
3	22175157	SPRING,C P-ROLLER CM-500
4	1000020072	BASE,SCAN DRIVE VG-640TH
5	1000020083	COVER,SCAN MOTOR VG-640TH
6	1000017361	SUPPORT,SCAN MOTOR CG2032
7	6000002333	ASSY,SCAN MOTOR SV VG-640
8	1000015356	FLANGE,MOTOR SCAN SG-540
9	6700469030	ASSY,PULLEY VP-540
10	1000001905	GEAR,H187S20(B8)
101	3000000423	CAP-SCREW,4*25 3CBC 100PCS
101	31049137AS	SCREW SET,CAP M4*25 3CBC 20 PCS
102	31149704AS	RING SET,E-RING ETW-6 SUS 100 PCS
103	31289102AS	CUPSCREW SET,M3*6 NI 50 PCS.
104	31289111AS	CUPSCREW SET, M4*6 NI 100 PCS.
105	31299102AS	RIVET SET,NYLON P2655B 20 PCS.
106	31409811AS	SADDLE SET,LOCKING WIRE LWS-1211Z 20P
107	3000000172	SCREW SET,CAP M4*8 NI WSH4*9*0.8 20P
108	31049171AS	SCREW SET,CAP M3*12 NI 50 PCS.
109	31409702	SADDLE SET,LOCKING WIRE LES-1010 20P
110	3000000216	SADDLE,WIRE WS-2N-V0
111	31029101	BUSH,NB-19

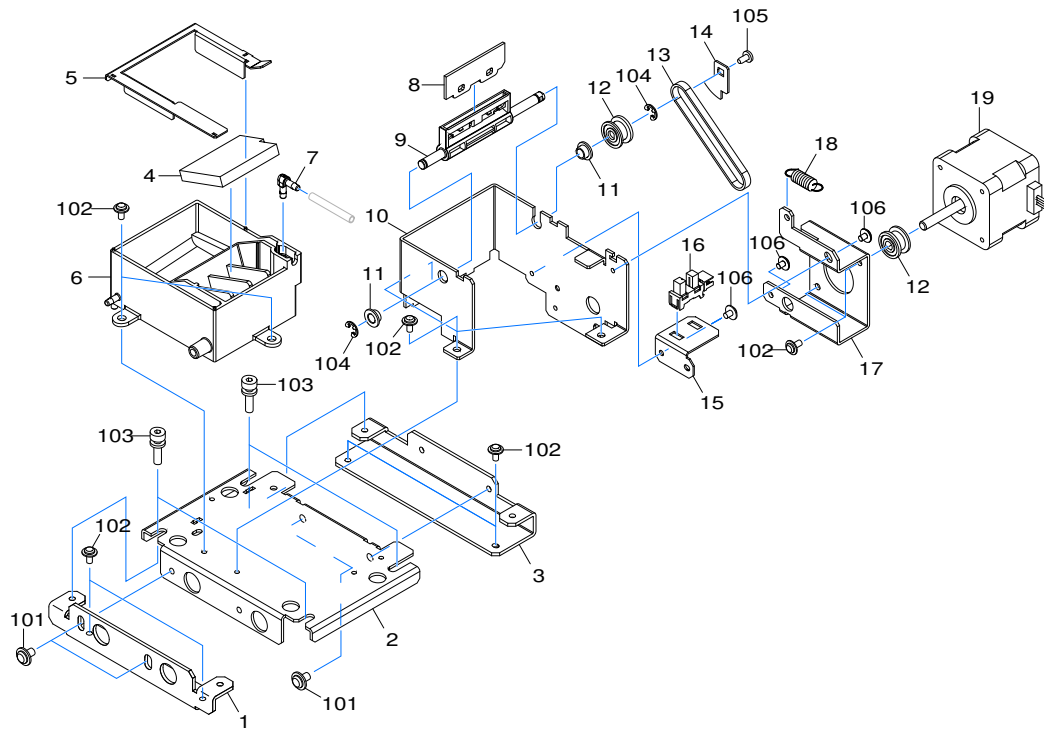


Pos	Code	Description
1	ST-056	TORQUE DRIVER N6
2	1000015274	BIT,PHILLIPS NO.2 L200MM
3	ST-001	TENSION GAUGE 2000GF/2000CN
4	1000003138	SET,CLEANER STICK TX712A 10PCS.
4	1000007172	CLEANER SET,STICK TX712A 100PCS
5	6000004663	CLEANING LIQUID(TR2-CL) SV 500ML
6	6000004662	KIT,CLEANING(TR2-CL) SV 100ML
7	21675102	GREASE,FLOIL G-902 10ML
8	1000020778	ARM,PACKING L SV CG2076
9	1000020777	ARM,PACKING U SV CG2076
10	11879107	ABSORBER TK-12
11	31049157	SCREW,CAP M6*20 3CBC+PW+SW
12	31049125	SCREW,CAP M6*30 NI
13	1000020779	STAY,SHOULDER STRAP SV CG2076

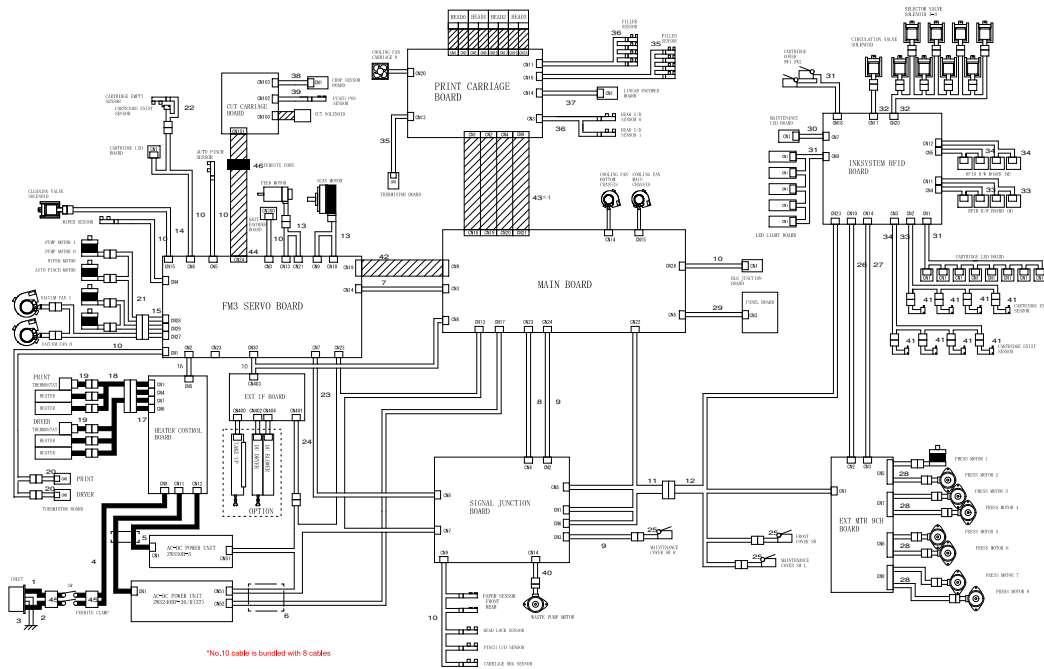




Pos	Code	Description
1	1000015330	STAY,STAND SG-540
2	6000002177	ASSY,FEEDER HOUSING L
2	6000003537	ASSY,FEEDER HOUSING L SV VG-640 T
3	6000002180	ASSY,FEEDER HOUSING R
3	6000003538	ASSY,FEEDER HOUSING R SV VG-640 T
4	1000019694	ASSY,BASE STAND CG2076
5	1000019692	ASSY,STAND LEG R CG2076
6	1000019693	ASSY,STAND LEG L CG2076
7	1000018228	ARM,R FEEDER CG2075
8	1000018229	ARM,L FEEDER CG2075
9	1000004725	PIPE,FEEDER SHAFT RS-540
10	1000019695	ADAPTER,DU CG2076
11	1000018230	STAY,FEED ADJUSTER CG2075
12	1000018231	STOPPER,FEEDER SHAFT CG2075
13	1000014294	KNOB,KG-B1 M6X30
14	1000003892	CASTER,STAND XJ-740
101	31249220AS	WASHER SET,PLAIN 6.5*16*1 NI 100PCS
102	3000000550	CAP-SCREW,6*10 3CBC SPW+WSH 6*12.5
103	31049169AS	SCREW SET,CAP M4*8 3CBC+PW 20PCS
104	31049124AS	SCREW SET,CAP M6*25 NI 20 PCS
105	31239106AS	SCREW SET,W-SEMS M4*8 3CBC 50 PCS



Pos	Code	Description
1	1000014449	STAY,ADJUSTER WIPE F VG-640
2	1000017865	FRAME,BASE WIPE VG-640_01
3	1000014448	STAY,ADJUSTER WIPE R VG-640
4	1000014464	PAD,CLEANER D VG-640
5	1000019749	COVER,WIPER CG2076
6	1000019760	TRAY,LIQUID WIPER CG2076
7	1000017901	ADAPTER,JOINT 3L CG2023
8	1000014754	WIPER,HEAD VG-640
9	1000014755	HOLDER,WIPER 2 VG-640
10	1000015448	FRAME,WIPER SG-540
11	1000000796	BUSH,80F-0503
12	22565406	DRIVE PULLEY
13	1000005794	BELT,146P2M4-530
14	1000014762	PLATE,WIPER SENSOR VG-640
15	1000014470	STAY,WIPER SENSOR VG-640
16	1000011069	SENSOR-INTERRUPTER,OJ-535S-A5
17	1000014473	HOLDER,WIPER MOTOR VG-640
18	22175521	SPRING,PINCH 930 FJ-540
19	22435106	MOTOR,103-593-1041
101	31289111AS	CUPSCREW SET, M4*6 NI 100 PCS.
102	31289102AS	CUPSCREW SET,M3*6 NI 50 PCS.
103	31179106	SCREW,JACK UP SP-540V
104	31149703AS	RING SET,E-RING ETW-4 100 PCS.
105	31019702AS	SCREW SET,BIND P-TIGHT M3*6 3C 100P
106	31289109AS	CUPSCREW SET,M3*4 NI 100 PCS



Pos	Code	Description
1	1000018824	CABLE-ASSY,JUNBI A SJ-1000 T
2	1000018825	CABLE-ASSY,JUNBI B SJ-1000 T
3	1000018826	CABLE-ASSY,JUNBI G SJ-1000 T
4	1000017389	CABLE-ASSY,POWER AC-HCB CG2032
5	1000017400	CABLE-HARNESS,POWER AC CG2032
6	1000019549	CABLE-HARNESS,POWER DC CG2075
7	1000019507	CABLE-ASSY,SERVO UART CG2075
8	1000017391	CABLE-ASSY,F-SENS SERIAL CG2032
9	1000017414	CABLE-HARNESS,SIGNAL R-COVER CG2032
10	1000019551	CABLE-HARNESS, SENSORS CG2075_01
11	1000019513	CABLE-ASSY,M-I CAN JUNC CG2075
12	1000019514	CABLE-ASSY,M-I CAN CG2075
13	1000019552	CABLE-HARNESS,SERVO CL VALVE CG2075
14	1000019517	CABLE-ASSY,CLEANING VALVE CG2075
15	1000018530	CABLE-ASSY,P-W-F MTR JUNC CG2075
16	1000017395	CABLE-ASSY,HEATER CTL CG2032
17	1000017396	CABLE-ASSY,HEATER JUNC CG2032
18	1000017397	CABLE-ASSY,HEATER CG2032
19	1000015608	CABLE-ASSY,THERMOSTAT SG-540
20	1000017237	CABLE-ASSY,THERMISTOR EJ-640 TH
21	1000018531	CABLE-ASSY,P-W-F MTR CG2075
22	1000018849	CABLE-ASSY,CARTRIDGE UNIT VG-640 T
23	1000019518	CABLE-ASSY,EXT CTL 1 CG2075
24	1000019519	CABLE-ASSY,POWER DC EXT IF CG2075
25	1000019520	CABLE-ASSY,COVER SW CG2075
26	1000019521	CABLE-ASSY,EXT CTL 2 CG2075
27	1000019522	CABLE-ASSY,EXT POWER CG2075
28	1000019553	CABLE-HARNESS,PRESS PUMP CG2075
29	1000017392	CABLE-ASSY,PANEL CG2032
30	1000019527	CABLE-ASSY,MAINTENANCE LED CG2075
31	1000019554	CABLE-HARNESS,LED CG2075
32	1000019555	CABLE-HARNESS,CIR SOL CG2075
33	1000019556	CABLE-HARNESS,INK MOD 0 CG2075
34	1000019557	CABLE-HARNESS,INK MOD 1 CG2075
35	1000019558	CABLE-HARNESS,FILLER TH CG2075
36	1000019559	CABLE-HARNESS,FILLER H-UD CG2075
37	1000019544	CABLE-ASSY,L-ENCODER CG2075
38	1000019565	CABLE-ASSY,CROP SENS CG2075_01
39	1000019566	CABLE-ASSY,P-POS SENS CG2075_01
40	1000019546	CABLE-ASSY,WASTE PUMP MTR CG2075

Pos	Code	Description
41	1000020105	CABLE-ASSY,CARTRIDGE UNIT CG2075
42	1000015569	CABLE-CARD,22P1 75L BB HIGH-V
43	1000017416	CABLE-CARD,40P1 3150L BB HIGH-V
44	1000017417	CABLE-CARD,15P1 2800L BB HIGH-V
45	1000006283	FILTRE,TFT-081610N
46	1000015262	FILTER(E),FPCR17-9-0.5

