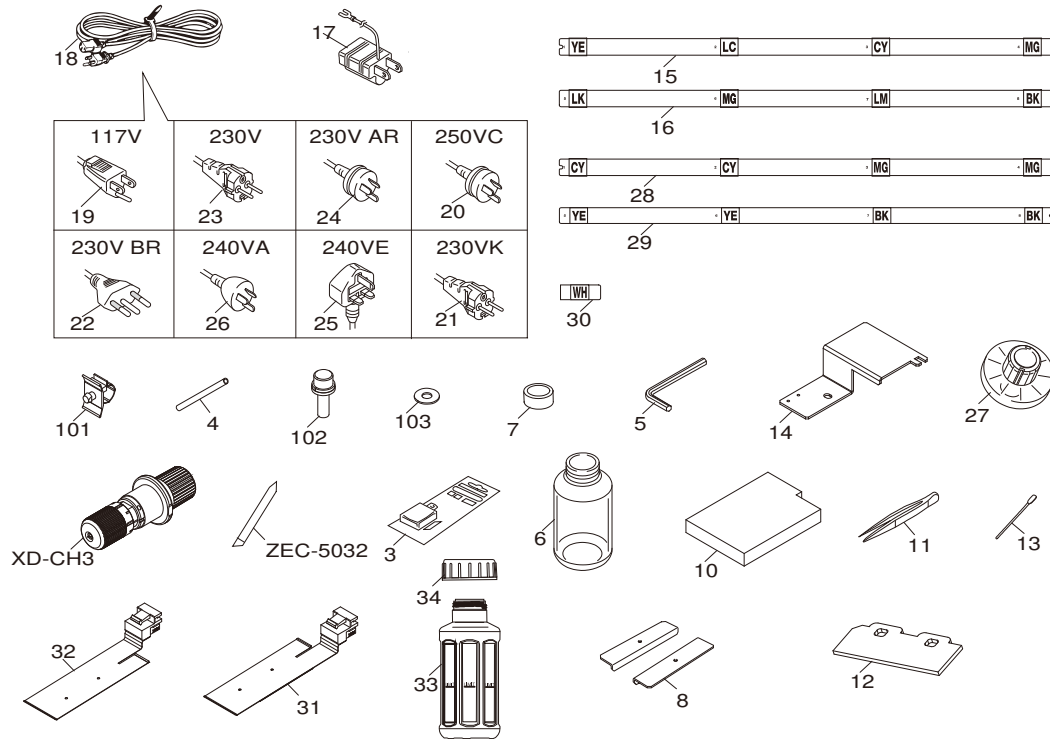
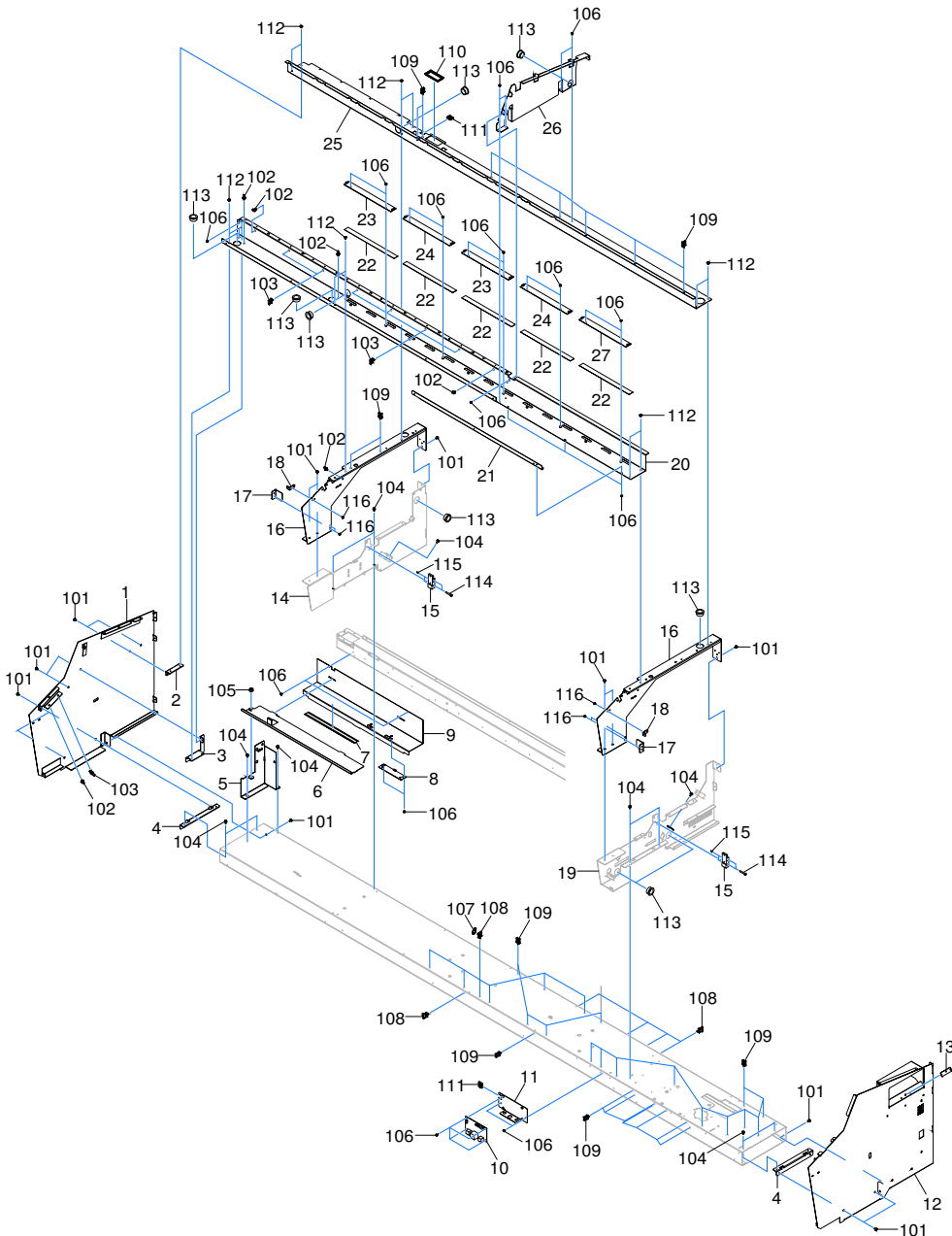


Pos	Code	Description
1	1000017519	PAD,FEEDER SV SG-540
2	1000015145	PAD,STAND VG-640
2	1000015714	PAD,STAND SG-540
2	1000017510	PAD,STAND SV SG-540
3	1000015146	CARTON,STAND VG-640
3	1000015715	CARTON,STAND SG-540
3	1000017511	CARTON,STAND SV SG-540
4	1000014611	PAD,PIPE FEEDER SHAFT EJ-640
4	1000015711	PAD,PIPE FEEDER SHAFT SG-540
4	1000017508	PAD,PIPE FEEDER SHAFT SV SG-540
5	1000015716	CARTON,SLEEVE SG-540
5	1000017512	CARTON,SLEEVE SV SG-540
6	21545178	PAD,RAIL SPACER SP-300
7	1000017520	CARTON,SPACER SV SG-540
8	1000015724	PAD,L-LEFT SG-540
8	1000017515	PAD,L-LEFT SV SG-540
9	1000015725	PAD,L-RIGHT SG-540
9	1000017516	PAD,L-RIGHT SV SG-540
10	1000017521	PAD,CENTER SV SG-540
11	1000015718	CARTON,COVER SG-540
11	1000017513	CARTON,COVER SV SG-540
12	1000018196	TRAY,SKID SG-540_01
12	1000019080	TRAY,SKID SV SG-540_01
13	1000015150	PAD,U-LEFT VG-640
13	1000015719	PAD,U-LEFT SG-540
13	1000017514	PAD,U-LEFT SV SG-540
14	1000015151	PAD,U-RIGHT VG-640
14	1000015730	PAD,U-RIGHT SG-540
14	1000017518	PAD,U-RIGHT SV SG-540
15	1000017522	PAD,VKIT SV SG-540
16	1000015712	PAD,SUPPORT FEEDER SHAFT SG-540
16	1000017509	PAD,SUPPORT FEEDER SHAFT SV SG-540
17	1000017523	PAD,ACCESSORY SV SG-540
18	1000016741	LABEL,CARTON CARE#LA2567
19	1000017872	PAD,SUPPORT VG-540T

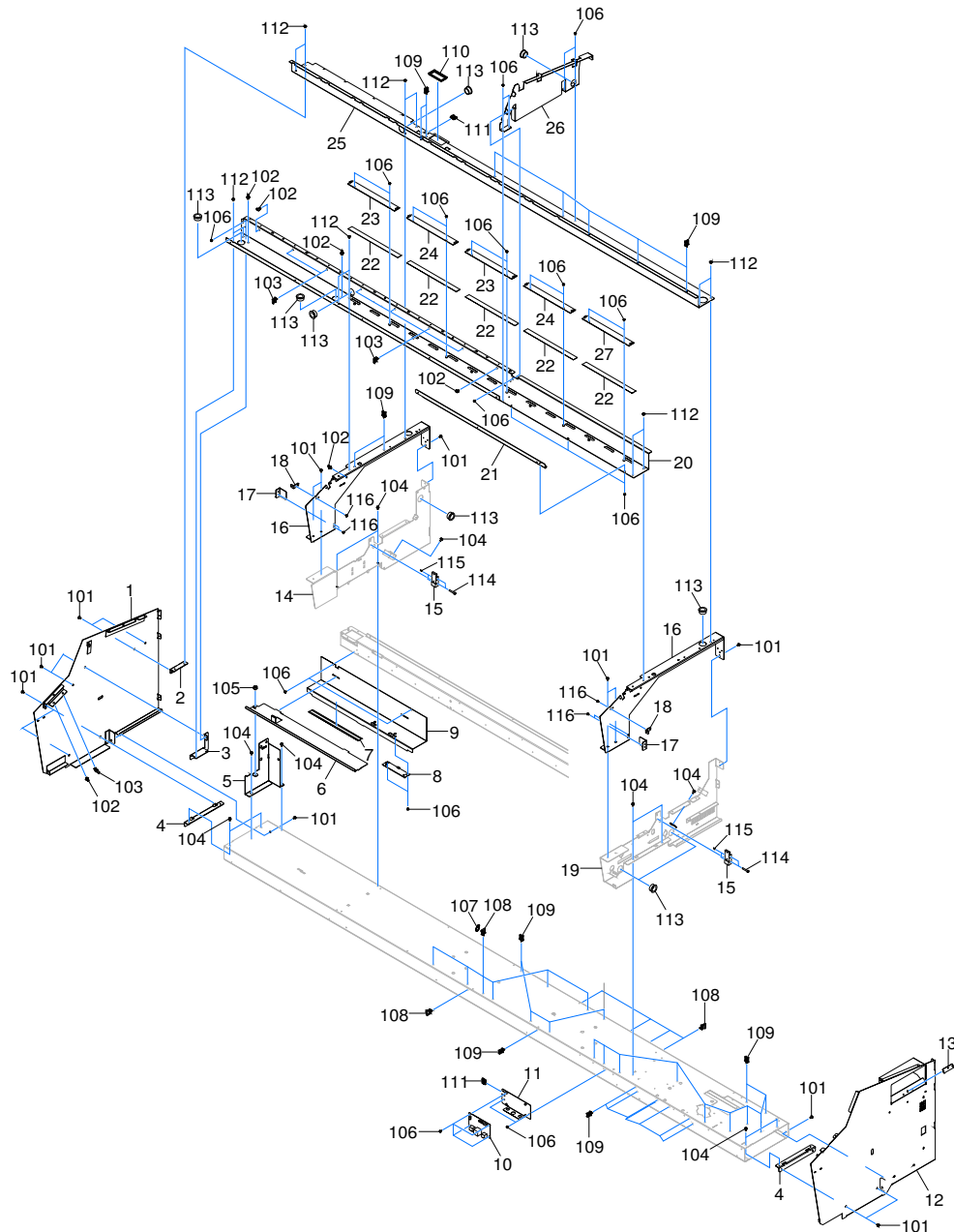


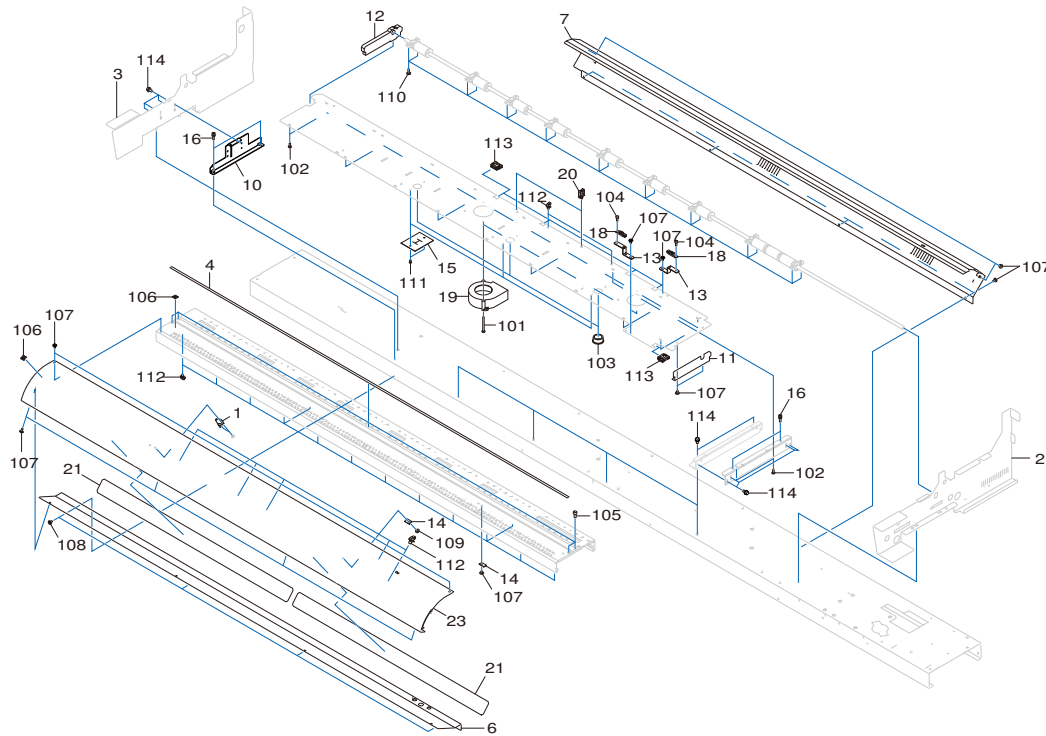
Pos	Code	Description
3	11849102	BLADE,OLFA AUTO CUTTER XB10
4	22155133	PIPE,TOOL D9*L150 FJ-540
5	22565682	HEXAGONAL WRENCH 5
6	11369115	CASE,PP BOTTLE
7	22335143	CAP,EPDM
8	100003635	STOPPER,PIPE FEEDER XJ-740
10	1000014464	PAD,CLEANER D VG-640
10	1000020059	PAD,CLEANER D VG-640TH
11	12569656	TWEEZERS PTS-01
12	1000014754	WIPER,HEAD VG-640
13	1000003138	SET,CLEANER STICK TX712A 10PCS.
13	1000007172	CLEANER SET,STICK TX712A 100PCS
13	ST-037	CLEAN STICK TX712A
14	1000014486	STOPPER,CARRIAGE VG-640
15	1000014823	LABEL,SET INK 1 VG-640#LA2167
16	1000014824	LABEL,SET INK 2 VG-640#LA2168
17	13499209	ADAPTER PLUG (100V)
18	1000005832	CABLE-AC,100V 15A 2.5M 3P
19	1000005833	CABLE-AC,117V 15A 2.5M 3P
20	13439801	CABLE-AC 3P CHINA 10A250V S
21	1000010999	CABLE-AC, H05VV 230V 10A KC
22	1000006571	CABLE-AC,3P 117/230V BR 2.5M
23	23495125	AC-CORD H05VV 230V 10A S
24	1000006097	CABLE-AC,3P 230VAR 2.5M TW
25	13499111	AC CORD H05VV-F 240VE 10A S
26	23495124	AC CORD 3ASL100 240VA 10A SAA
27	21995106	FLANGE,GUIDE 2 PNS-70
28	1000015693	LABEL,SET INK 4C1 VG-640#LA2343
29	1000015694	LABEL,SET INK 4C2 VG-640#LA2344
30	1000015801	LABEL, INK WH VG-640#LA2379
30	1000018951	LABEL, INK WH VG-640#LA3242
31	6000003540	ASSY,MEDIA CLAMP R SV VG-640 T
32	6000003539	ASSY,MEDIA CLAMP L SV VG-640 T
33	1000019429	CASE,DRAIN BOTTLE 1.0L
34	1000019580	CAP,PP BOTTLE 5-002-04
101	31379111	CLAMP,CABLE CKS-13-H
102	31049157	SCREW,CAP M6*20 3CBC+PW+SW
103	31249220AS	WASHER SET,PLAIN 6.5*16*1 NI 100PCS



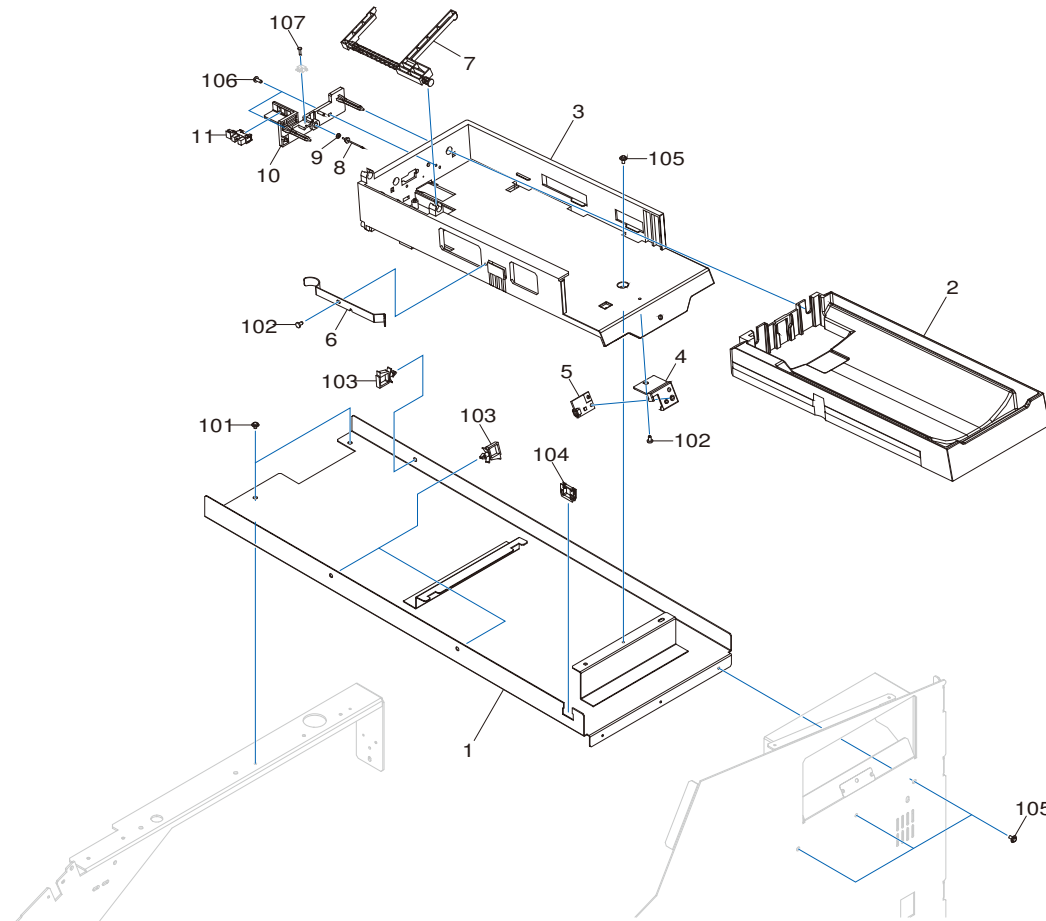
Pos	Code	Description
1	1000017368	FRAME,SIDE L CG2032
2	1000017551	STAY,INK CARTRIDGE PLATE CG2032
3	1000017552	STAY,SUPPORT COVER CG2032
4	1000015317	STAY,FRAME SG-540
5	1000015311	STAY,SUPPORT RAIL L SG-540
6	1000015314	FRAME,AUTOCUTTER SG-540
7	1000014596	SHEET,BED LED VG-640
8	W704621010	ASSY,MAINTENANCE LIGHT CG2032
9	1000015319	STAY,MAINTENANCE LED SG-540
10	W704620010	ASSY,EXT IF BOARD CG2032
11	1000017366	STAY,EXT PORT CG2032
12	1000017367	FRAME,SIDE R CG2032
12	1000018392	FRAME,SIDE R2 CG2032
13	1000014825	LABEL,CL VG-640#LA2170
15	1000002589	BASE,RAIL VP-540
16	1000016187	SUPPORT,FRAME VG-640TH
17	1000014828	STOPPER,COVER FRONT VG-640
18	1000015316	STAY,COVER ARM SG-540
19	1000017493	FRAME,MIDDLE R VG-640TH_01
20	1000017362	SUPPORT,COVER CG2032
21	1000015629	STAY,SUPPORT COVER S VG-540
22	1000014596	SHEET,BED LED VG-640
23	W704621030	ASSY,RGB LED_LO-01 CG2032
24	W704621020	ASSY,RGB LED_HI CG2032
25	1000017364	PLATE,INK CARTRIDGE CG2032
26	1000017363	COVER,SIDE INK SYSTEM CG2032
27	W704621040	ASSY,RGB LED_LO-02 CG2032
101	31289110AS	CUPSCREW SET, M4*8 3CBC 100 PCS
102	31329501AS	CLAMP SET,PUSH MOUNT RT30SSF5 20P
103	3000000560	SADDLE,LOCKING WIRE LWS-0711Z_TH
103	31409801AS	SADDLE,LOCKING WIRE LWS-0711Z 20P
104	3000000172	SCREW SET,CAP M4*8 NI WSH4*9*0.8 20P
105	31139104	SCREW,PLAPOINT M4*6 BK FE
106	31289102AS	CUPSCREW SET,M3*6 NI 50 PCS.
107	31329601AS	CLAMP SET,INSULOK T-18S 100 PCS.
108	31409811AS	SADDLE SET,LOCKING WIRE LWS-1211Z 20P
109	3000000216	SADDLE,WIRE WS-2N-V0
110	31029106	BUSH,SQUARE SB-6025
111	31409702	SADDLE SET,LOCKING WIRE LES-1010 20P
112	31289111AS	CUPSCREW SET, M4*6 NI 100 PCS.

Pos	Code	Description
113	31029101	BUSH,NB-19
114	3000000423	CAP-SCREW,4*25 3CBC 100PCS
114	31049137AS	SCREW SET,CAP M4*25 3CBC 20 PCS
115	31119904	PIN,SPRING 2.5*8 SUS STRAIGHT 50 PCS
116	31289105AS	CUPSCREW SET, M3*6 3CBC 100 PCS

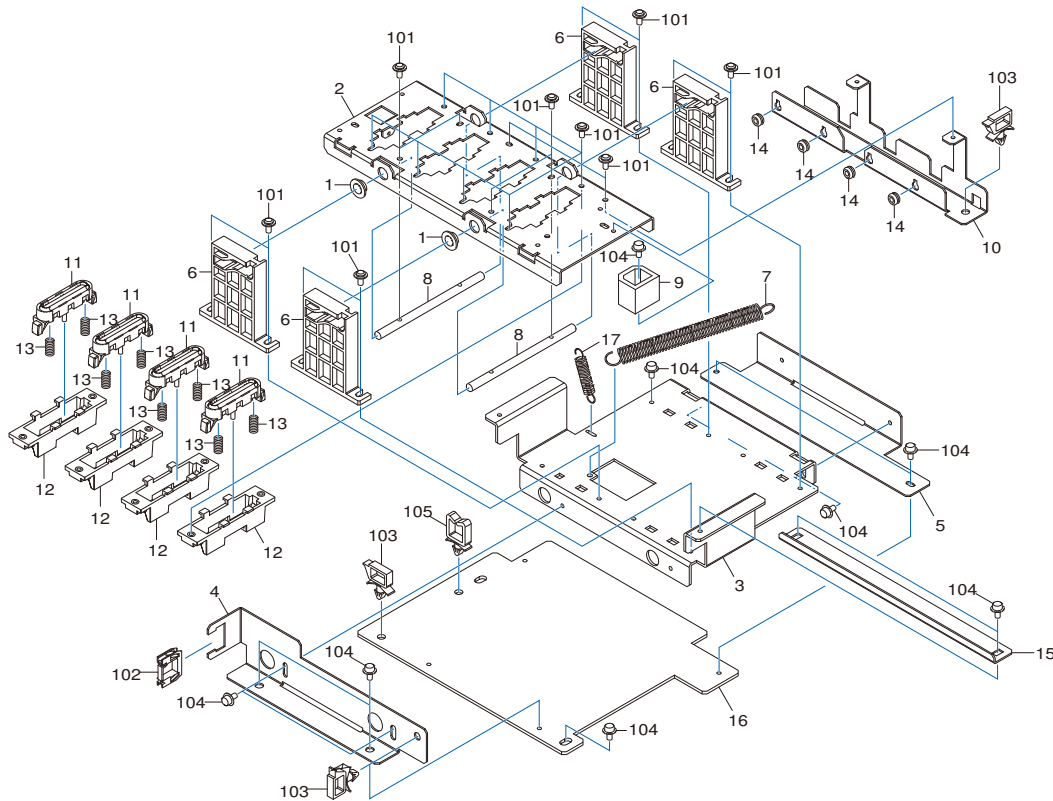




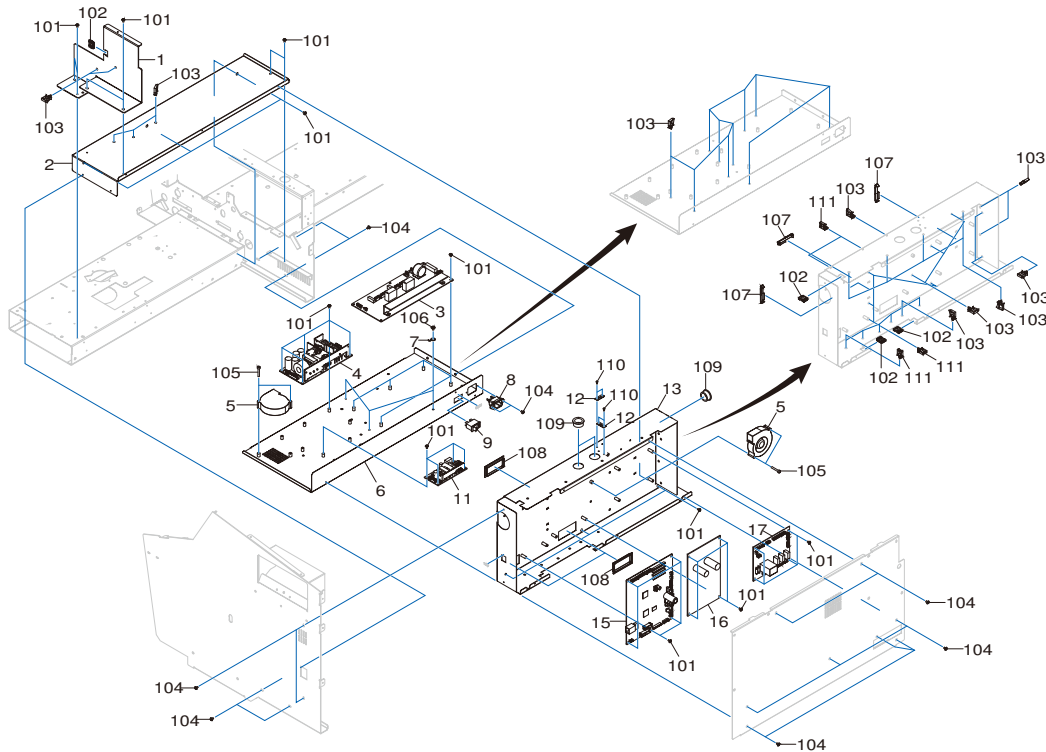
Pos	Code	Description
1	15099115	SENSOR-INTERRUPTER GP2A25NJ
2	1000017493	FRAME,MIDDLE R VG-640TH_01
4	1000015635	PAD,CUTTER VG-540
4	1000020748	PAD,CUTTER 2 VG-540
6	1000017444	APRON,F UNDER CG2032
7	1000017502	APRON,B VG-540TH_01
10	1000010084	FRAME,SIDE BED XF-640
11	1000010085	SHUTTER,BED R XF-640
12	1000010086	SHUTTER,BED L XF-640
13	1000010087	STAY,PAPER SENSOR XF-640
13	1000020057	STAY,PAPER SENSOR XF-640TH
14	1000015534	ASSY,THERMISTOR BOARD SG-540
15	1000012964	SHUTTER,HEATER CORD SP-300
16	31179106	SCREW,JACK UP SP-540V
18	15099115	SENSOR-INTERRUPTER GP2A25NJ
19	1000009934	FAN,9BAM24P2H06PJ
19	1000018515	FAN,9BAM24P2H06PJ
20	3000000216	SADDLE,WIRE WS-2N-V0
21	1000002165	ASSY,CORD HEATER VP-540
23	1000015343	ASSY,APRON F SG-540
101	31239112	SCREW SET,W-SEMS M3*45 3CBC 50 PCS.
102	31019703	SCREW,BINDING P-TIGHT M3*8 3C 100P
103	31029101	BUSH,NB-19
104	31049170AS	SCREW SET,CAP M3*8 NI 50 PCS.
105	31049173AS	SCREW SET,CAP M4*10 NI 50 PCS.
106	31279106	LABEL,CAUTION HOT SURF NO.778
107	31289102AS	CUPSCREW SET,M3*6 NI 50 PCS.
108	31289105AS	CUPSCREW SET, M3*6 3CBC 100 PCS
109	31289109AS	CUPSCREW SET,M3*4 NI 100 PCS
110	31289112AS	CUPSCREW SET,M3*10 NI 100 PCS.
111	31299102AS	RIVET SET,NYLON P2655B 20 PCS.
112	31329501AS	CLAMP SET,PUSH MOUNT RT30SSF5 20P
113	31409702	SADDLE SET,LOCKING WIRE LES-1010 20P
114	3000000172	SCREW SET,CAP M4*8 NI WSH4*9*0.8 20P



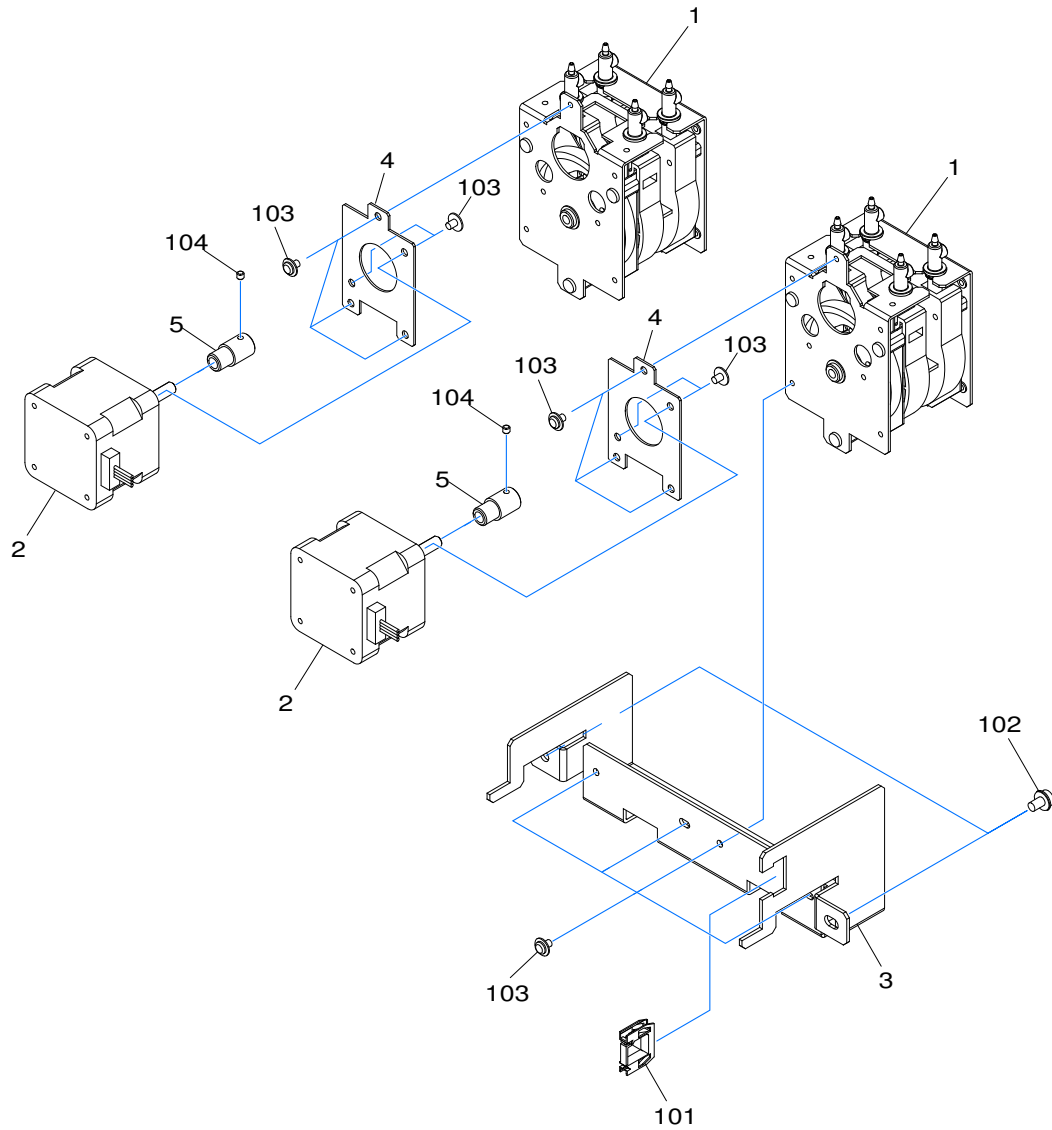
Pos	Code	Description
1	1000017345	BASE,CL CARTRIDGE CG2032
2	1000014586	TRAY, INK POUCHES VG-640
3	1000017436	FRAME,HOLDER I/C CG2023
4	1000017453	HOLDER,CARTRIDGE LED CG2023
5	1000017428	ASSY,CARTRIDGE LED BOARD CG2032
6	1000017438	SPRING,PLATE I/C CG2023
7	1000017437	LEVER,INK EMPTY CG2023
8	1000014443	NEEDLE,FAI1.2 VG-640
9	1000007988	RING,O 1.1*5.5
10	1000017435	HOLDER,NEEDLE I/C CG2023
11	1000011069	SENSOR-INTERRUPTER,OJ-535S-A5
101	31289109AS	CUPSCREW SET,M3*4 NI 100 PCS
102	31019702AS	SCREW SET,BIND P-TIGHT M3*6 3C 100P
103	31409811AS	SADDLE SET,LOCKING WIRE LWS-1211Z 20P
104	31409702	SADDLE SET,LOCKING WIRE LES-1010 20P
105	31289105AS	CUPSCREW SET, M3*6 3CBC 100 PCS
106	31019703	SCREW,BINDING P-TIGHT M3*8 3C 100P
107	3000000412	BIND,P-TIGHT 2*8 3C 20PCS.



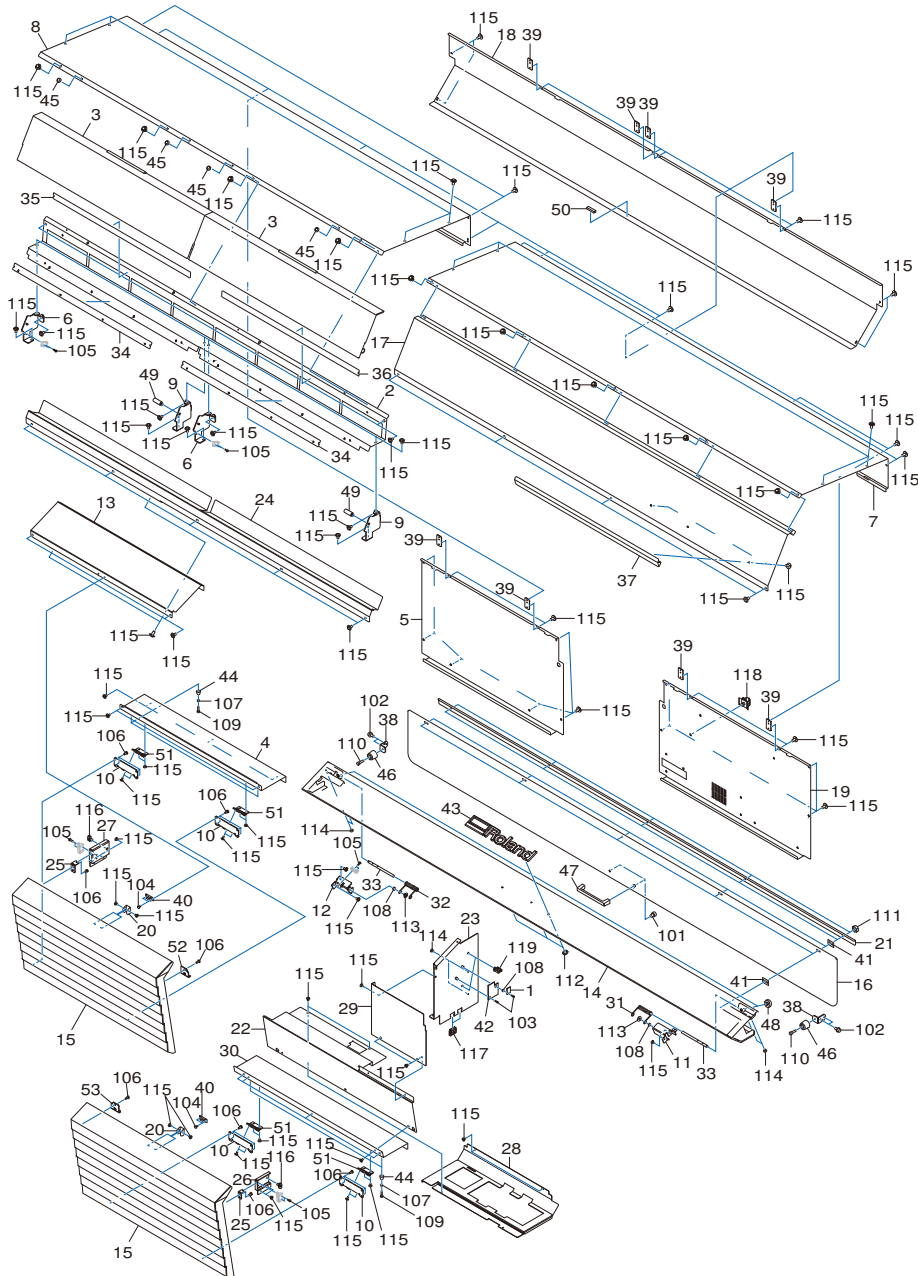
Pos	Code	Description
1	1000018512	BUSH,80F-0603
1	12159573	BUSH,80F-0603
2	1000015458	FRAME,BACKUP CAP SG-540
3	1000015460	FRAME,BASE CAP SG-540
4	1000015461	STAY,ADJUSTER F CAP SG-540
5	1000015462	STAY,ADJUSTER R CAP SG-540
6	1000014455	GUIDE,SLIDE CAP VG-640
7	1000015456	SPRING,CAP SLIDE SG-540
8	1000015457	SHAFT,CAP LIFT SG-540
9	1000014468	STOPPER,ARM CAP VG-640
10	1000015459	STAY,TUBE CAP SG-540
11	6000002332	ASSY,CAP TOP VG-640
11	6000004658	ASSY,CAP TOP SV CG2076
12	1000014760	HOLDER,CAP VG-640
13	1000014763	SPRING,CAP TOP K VG-640
13	1000015463	SPRING,CAP TOP K SG-540
14	1000015091	GROMET,RUBBER KG-74
14	1000020074	GROMET,RUBBER KG-74TH
15	1000015125	SUPPORT,GUIDE SLIDE CAP VG-640
15	1000020080	SUPPORT,GUIDE SLIDE CAP VG-640TH
16	1000015126	PLATE,CAP UNDER VG-640
16	1000020068	PLATE,CAP UNDER VG-640TH
17	1000015183	SPRING,CAP SWING VS-640
101	31289102AS	CUPSCREW SET,M3*6 NI 50 PCS.
102	31409702	SADDLE SET,LOCKING WIRE LES-1010 20P
103	3000000560	SADDLE,LOCKING WIRE LWS-0711Z_TH
103	31409801AS	SADDLE,LOCKING WIRE LWS-0711Z 20P
104	31049154AS	SCREW SET,CAP M3*6 NI+PW 20 PCS
105	3000000216	SADDLE,WIRE WS-2N-V0



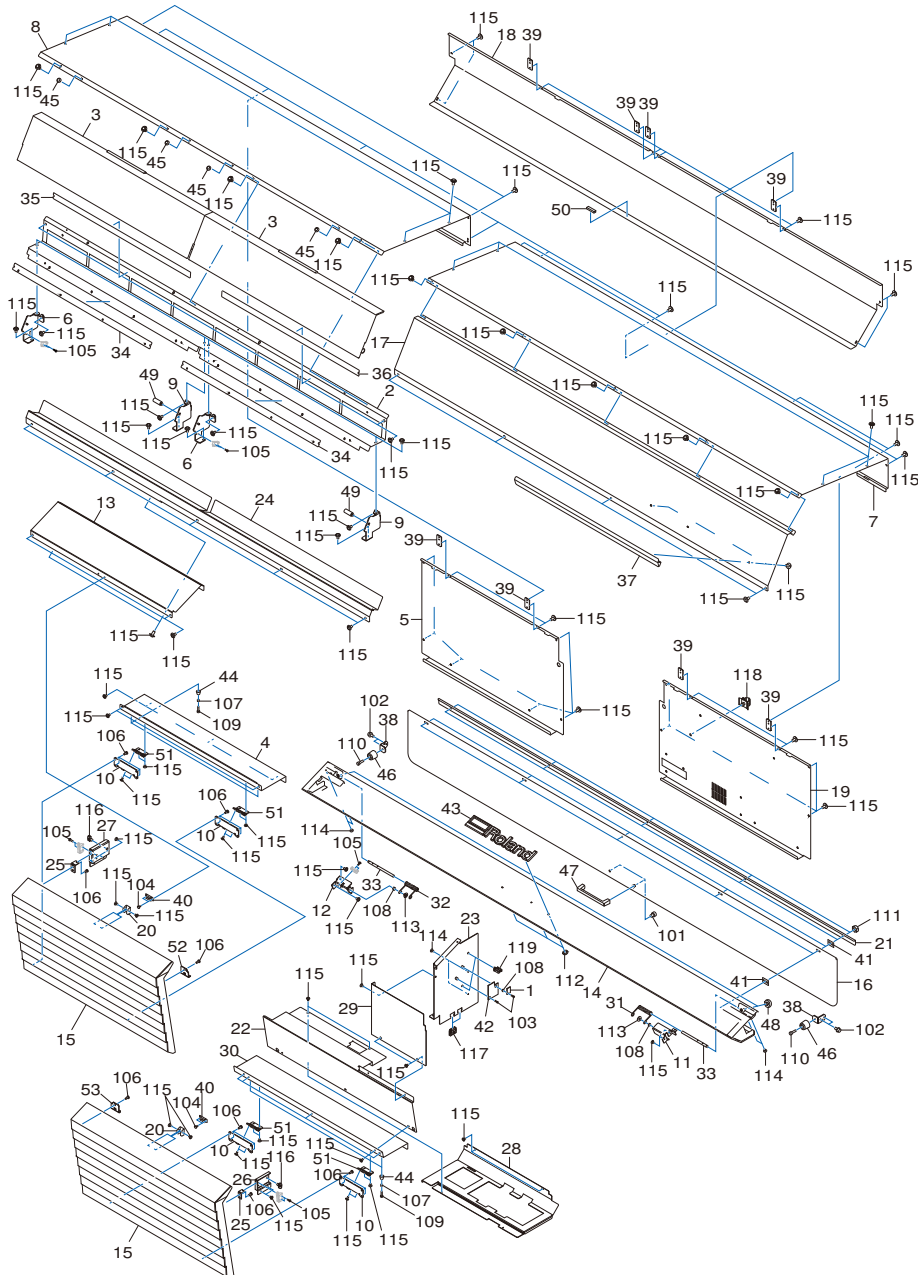
Pos	Code	Description
1	1000017356	STAY,SERVO BOARD CG2032
2	1000017353	STAY,CHASSIS COVER CG2032
3	1000017427	ASSY,HEATER CONTROL BOARD CG2032
3	1000018538	ASSY,HEATER CONTROL BOARD CG2075
4	1000014605	POWER UNIT,ZWS240BP-36/R(37)
5	1000017431	FAN,9BD24FA6-20
5	1000018511	FAN,9BD24FA6-1+CN
6	1000017355	BASE,CHASSIS POWER CG2032
7	31329601AS	CLAMP SET,INSULOK T-18S 100 PCS.
8	13429702	INLET AC P01CF01 15A250V
9	1000018525	SW,POWER AJ8201BF
11	1000010042	POWER UNIT,ZWS30B-5
12	1000015428	PLATE,CABLE SLIT SG-540
13	1000017354	BASE,CHASSIS BOARD CG2032
15	6000003424	ASSY,MAIN BOARD SV CG2032
15	6000005189	ASSY,MAIN BOARD SV VG2-640
15	6000005191	ASSY,MAIN BOARD SV VG-640i
15	6000005495	ASSY,MAIN BOARD SV2 VG2-640
16	1000016153	ASSY,FM3 SERVO BOARD VG-540 T
17	1000017426	ASSY,SIGNAL JUNCTION BOARD CG2032
101	31289102AS	CUPSCREW SET,M3*6 NI 50 PCS.
102	31409702	SADDLE SET,LOCKING WIRE LES-1010 20P
103	31409811AS	SADDLE SET,LOCKING WIRE LWS-1211Z 20P
104	31289105AS	CUPSCREW SET, M3*6 3CBC 100 PCS
105	3000000423	CAP-SCREW,4*25 3CBC 100PCS
105	31049137AS	SCREW SET,CAP M4*25 3CBC 20 PCS
106	31289111AS	CUPSCREW SET, M4*6 NI 100 PCS.
107	3000000033	CLAMP,WIRE PLESS RFC-45VO
108	31029106	BUSH,SQUARE SB-6025
109	31029101	BUSH,NB-19
110	31299102AS	RIVET SET,NYLON P2655B 20 PCS.
111	3000000216	SADDLE,WIRE WS-2N-V0



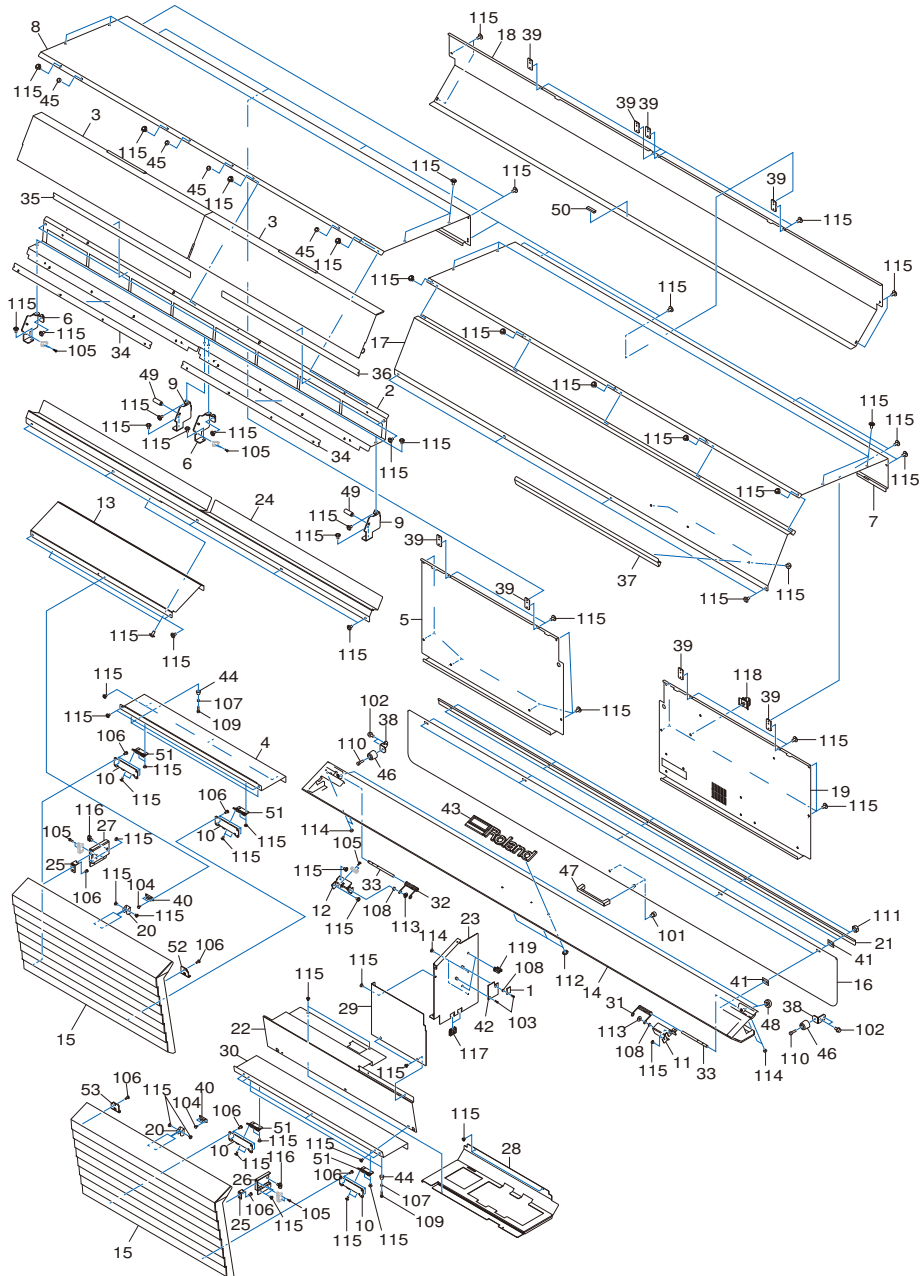
Pos	Code	Description
1	6000003685	ASSY,PUMP SUB SV CG2032
2	1000007733	MOTOR,XS-5208-064
2	1000018514	MOTOR,103-5208-85542
3	1000017348	STAY,PUMP CG2032
4	1000001585	PLATE,P-MOTOR XC-540
4	1000020054	PLATE,P-MOTOR XC-540TH
5	1000012988	GEAR,S10B20
101	31409702	SADDLE SET,LOCKING WIRE LES-1010 20P
102	31069104	SCREW,CAP M4*6+FL NI
103	31289109AS	CUPSCREW SET,M3*4 NI 100 PCS
104	31199701AS	SCREW SET,SET WP M3*3 NI 20 PCS



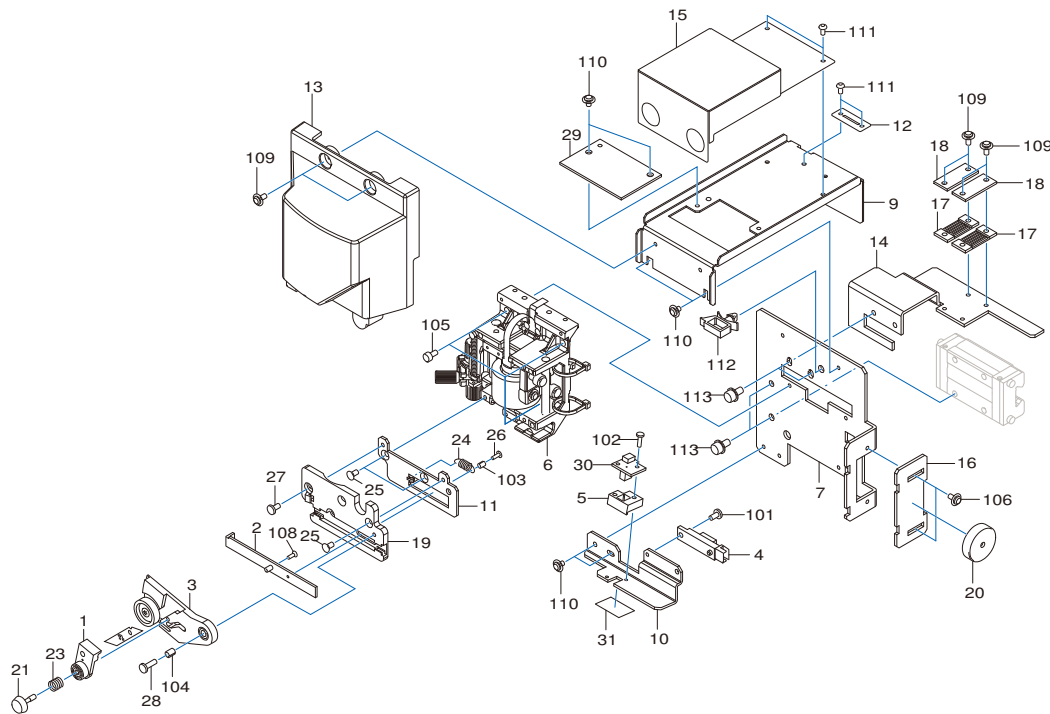
Pos	Code	Description
1	1000014067	BLE-MODULE,LBCA2ZZVZE-722
2	1000017360	COVER,INK PANEL CG2032
3	1000014364	COVER,INK CARTRIDGE VG-640
4	1000015402	COVER,UNDER L SG-540
5	1000015403	COVER,BACK L SG-540
6	1000017357	HINGE,COVER INK L CG2032
6	1000020771	HINGE,COVER INK L CG2092
7	1000016203	COVER,TOP R VG-540TH
8	1000016193	COVER,TOP L VG-640TH
9	1000017358	HINGE,COVER INK R CG2032
10	1000015406	STAY,COVER SG-540
11	1000016195	STAY,COVER INT R VG-640TH
12	1000016196	STAY,COVER INT L VG-640TH
12	1000019414	STAY,COVER INT L 2 VG-640TH
13	1000014405	PLATE,COVER VG-640
13	1000015407	PLATE,COVER SG-540
14	1000016206	COVER,FRONT VG-540TH
15	1000014407	COVER,SIDE VG-640
16	1000017154	PLATE,FRONT COVER VG-540_01
17	1000016202	PLATE,COVER F VG-540TH
18	1000017451	COVER,RAIL CG2032
19	1000017359	COVER,CHASSIS CG2032
20	1000015409	STAY,COVER CATCH SG-540
20	1000019406	STAY,COVER CATCH 2 SG-540
21	1000017235	STAY,COVER FRONT VG-540 TH
22	1000015416	COVER,MAINTENANCE F SG-540
23	1000015410	COVER,FEED MOTOR SG-540
24	1000016199	COVER,INK PANEL UNDER VG-640TH
25	1000015417	STAY,COVER M SW SG-540
26	1000015411	COVER,SW R SG-540
27	1000015412	COVER,SW L SG-540
28	1000014437	COVER,MAINTENANCE VG-640
28	1000015413	COVER,MAINTENANCE SG-540
28	1000016200	COVER,MAINTENANCE VG-640TH
29	1000015414	COVER,PANEL UNDER SG-540
29	1000019412	COVER,PANEL UNDER 2 SG-540
30	1000015415	COVER,UNDER R SG-540
31	1000014597	SPRING,COVER FR VG-640
32	1000014598	SPRING,COVER FL VG-640
33	1000014599	SHAFT,COVER FRONT VG-640



Pos	Code	Description
34	1000014822	LABEL,EMPTY LAMP VG-640#LA2169
35	1000014823	LABEL,SET INK 1 VG-640#LA2167
36	1000014824	LABEL,SET INK 2 VG-640#LA2168
37	1000015418	DOCK,TABLET PC SG-540
38	1000014891	STAY,F-COVER END VG-640
39	1000017561	STAY,COVER LINK CG2032
40	1000010122	MAGNET,CLAMP MEDIA XF-640
41	1000020064	WASHER,COVER FJ-50TH
41	21425110	WASHER,COVER FJ-50
42	1000015537	ASSY,BLE JUNCTION BOARD SG-540
43	1000010309	LABEL,EMBLEM LOGO ROLAND F-AR
44	11879107	ABSORBER TK-12
45	12239406	CUSHION,TM-96-6
46	12359113	ABSORBER TK-2320
47	1000014578	KNOB,A-165-4
48	1000015035	BEARING,DO-19-B0.5-4.5
49	1000014485	DAMPER,TD75 B1-1K
50	1000015160	GASKET,STGH 5-8 L=30MM
51	1000014368	HINGE,BP-151-1
51	1000018506	HINGE,BP-151-1
52	1000017830	STOPPER,COVER SIDE L VG-640
52	1000017889	STOPPER,COVER SIDE L VG-640TH
53	1000017829	STOPPER,COVER SIDE R VG-640
53	1000017888	STOPPER,COVER SIDE R VG-640TH
101	3000000500	BIND,5*8 NI
102	3000000172	SCREW SET,CAP M4*8 NI WSH4*9*0.8 20P
103	3000000431	NABE,2.5*8 NI 20PCS.
104	31019135AS	SCREW SET,BIND M3*6 NI 100 PCS.
105	31019149	SCREW SET,BINDING M2.3*8 3CBC 100PCS
106	31019703	SCREW,BINDING P-TIGHT M3*8 3C 100P
107	31029802AS	BUSH SET,ROLL 3*3.5 3C 100PCS.
108	31029820	BUSH SET,ROLL 3*2 3C 50PCS
109	31049171AS	SCREW SET,CAP M3*12 NI 50 PCS.
110	31049174AS	SCREW SET,CAP M4*15 NI 20 PCS.
111	31109801AS	NUT SET,HEXAGON M3 NI 100 PCS.
112	31149601	RING SET,PUSH-ON CS CSTW-3 100 PCS
113	31239103AS	SCREW SET,W-SEMS M3*8 NI+PW 50 PCS
114	31289102AS	CUPSCREW SET,M3*6 NI 50 PCS.
115	31289105AS	CUPSCREW SET, M3*6 3CBC 100 PCS
116	31329501AS	CLAMP SET,PUSH MOUNT RT30SSF5 20P

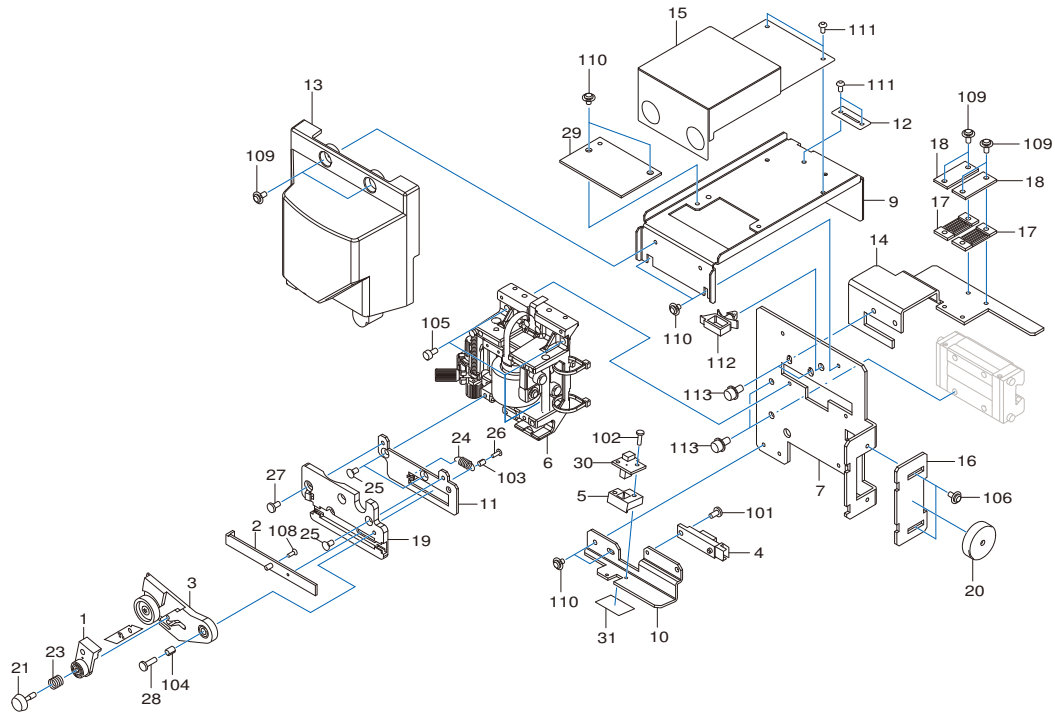


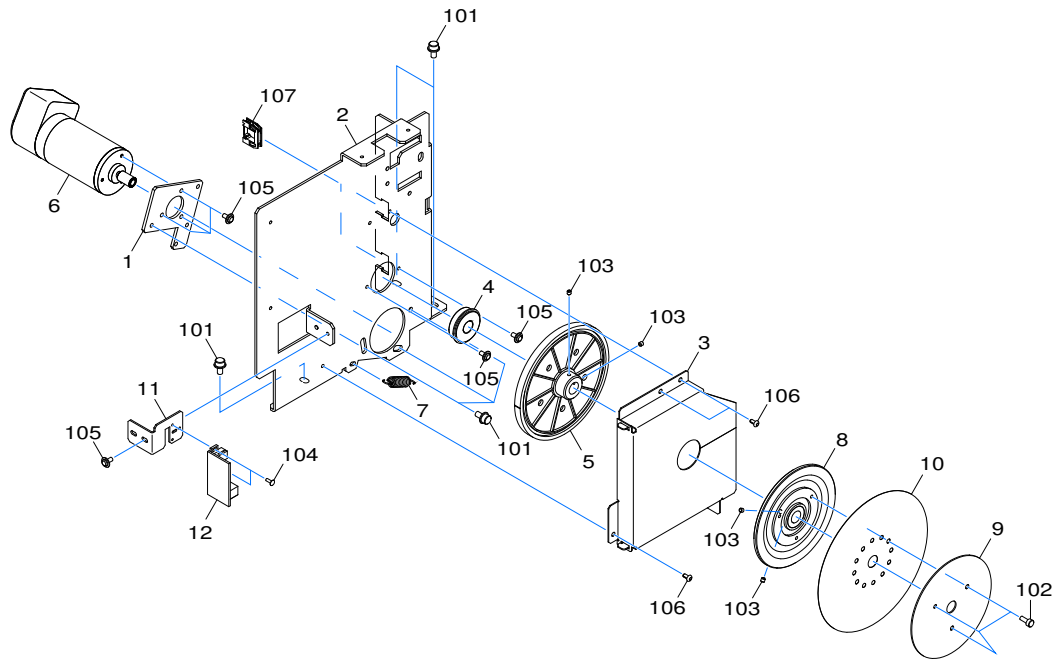
Pos	Code	Description
117	31409702	SADDLE SET, LOCKING WIRE LES-1010 20P
118	31379111	CLAMP, CABLE CKS-13-H
119	3000000216	SADDLE, WIRE WS-2N-V0



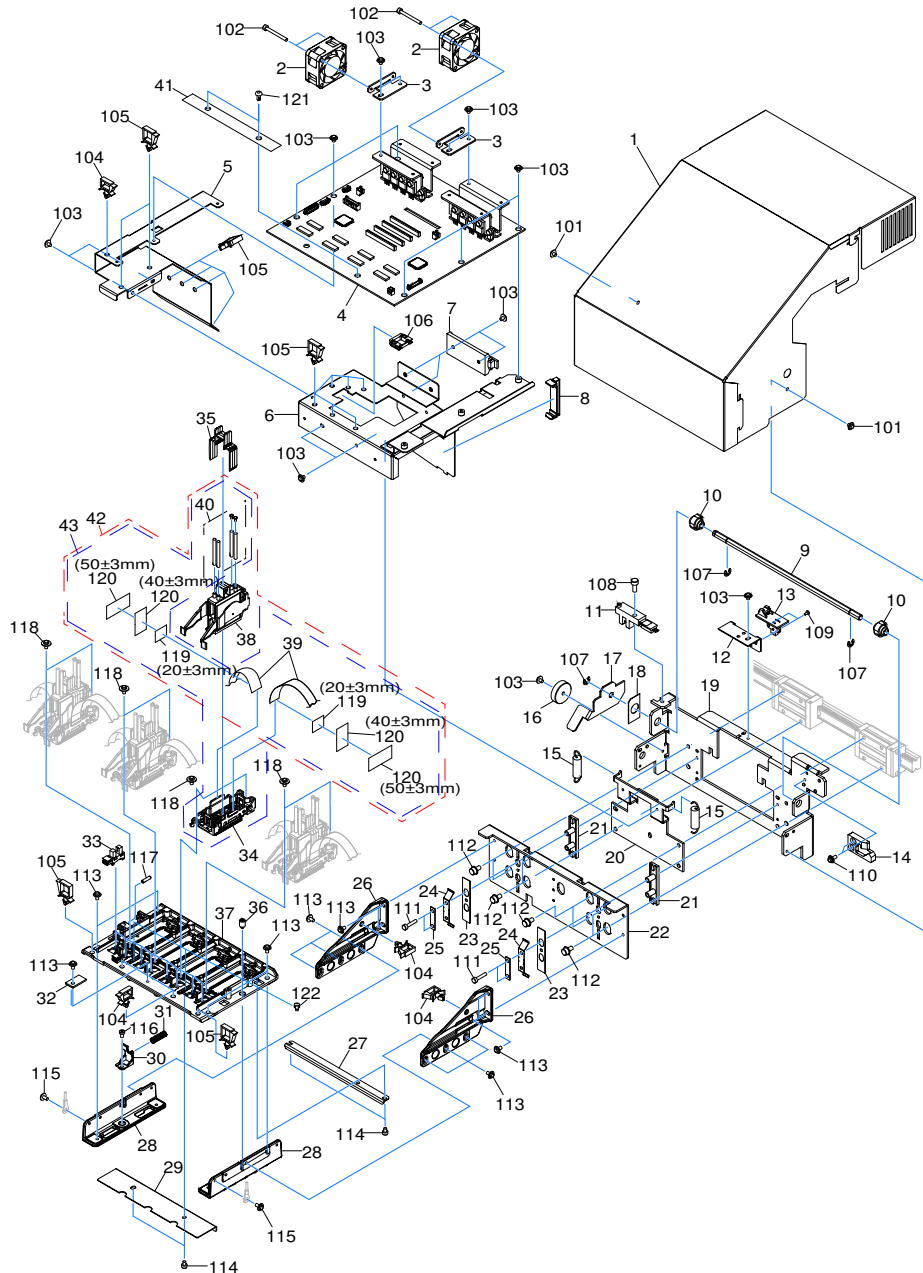
Pos	Code	Description
1	22805292	ASSY,CLAMP BLADE SV CM-500
2	22805287	ASSY,PLATE CAM SLIDE SV CM-500
3	22805291	ASSY,HOLDER BLADE SV CM-500
4	15099115	SENSOR-INTERRUPTER GP2A25NJ
5	1000012532	SPACER,CROP SENSOR GS-24
6	6000003920	ASSY,CUT TOOL T VG-640_02
6	6000004399	ASSY,CUT TOOL T VG-640_04
6	6703490530	ASSY,CUT TOOL T VG-640
7	1000015482	FRAME,CUT CARRIAGE SG-540
9	1000015483	STAY,CUT CARRIAGE BOARD SG-540
10	1000015487	STAY,PINCH SENSOR SG-540
11	1000015488	FRAME,CUTTER SG-540
12	1000015428	PLATE,CABLE SLIT SG-540
13	1000014433	COVER,CUT CARRIAGE VG-640
13	1000020806	COVER,CUT CARRIAGE CG2076
14	1000014593	STAY,HOLDER BELT VG-640
15	1000015484	COVER,CUT BOARD SG-540
16	1000015090	PLATE,ADJUSTER MAGNET VG-640
16	1000020032	PLATE,ADJUSTER MAGNET VG-640TH
17	1000015114	HOLDER,BELT EGX-600_01
18	1000020055	COVER,BELT HOLDER EGX-600TH
18	22025646	COVER,BELT HOLDER EGX-600
19	22355656	BASE,CUTTER CM-500
20	1000011928	MAGNET,SMF-2144
21	21495115	SCREW,BLADE SET CM-500
23	1000012948	SPRING,SCREW CM-500
24	1000012947	SPRING,BLADE UP CM-500
25	31169103AS	SCREW SET,FLAT M3*6 3CBC 100 PCS
26	31229103AS	SCREW SET,TRUSS M2*6 NI 100 PCS
27	31019116AS	SCREW SET,BINDING M3*6 3CBC 100 PCS
28	31019118AS	SCREW SET,BINDING M3*10 3CBC 100PCS
29	W704620020	ASSY,CUT CARRIAGE CG2032
30	W704620040	ASSY,CROP SENSOR CG2032
31	1000016437	SHEET,FILTER CROP SG-540_01
101	31019116AS	SCREW SET,BINDING M3*6 3CBC 100 PCS
102	31019149	SCREW SET,BINDING M2.3*8 3CBC 100PCS
103	31029801AS	BUSH SET,ROLL 2*4 3C100PCS
104	31029803AS	BUSH SET,ROLL 3*5 3C 20PCS.
105	31049105AS	SCREW SET,CAP M3*6 3CBC 20 PCS
106	31089117	SCREW SET,PAN 3*6 NI+PW 100 PCS.

Pos	Code	Description
108	31169111	SCREW SET,FLAT M2*6 NI 100 PCS.
109	31289102AS	CUPSCREW SET,M3*6 NI 50 PCS.
110	31289109AS	CUPSCREW SET,M3*4 NI 100 PCS
111	31299102AS	RIVET SET,NYLON P2655B 20 PCS.
112	3000000560	SADDLE,LOCKING WIRE LWS-0711Z_TH
112	31409801AS	SADDLE,LOCKING WIRE LWS-0711Z 20P
113	3000000172	SCREW SET,CAP M4*8 NI WSH4*9*0.8 20P

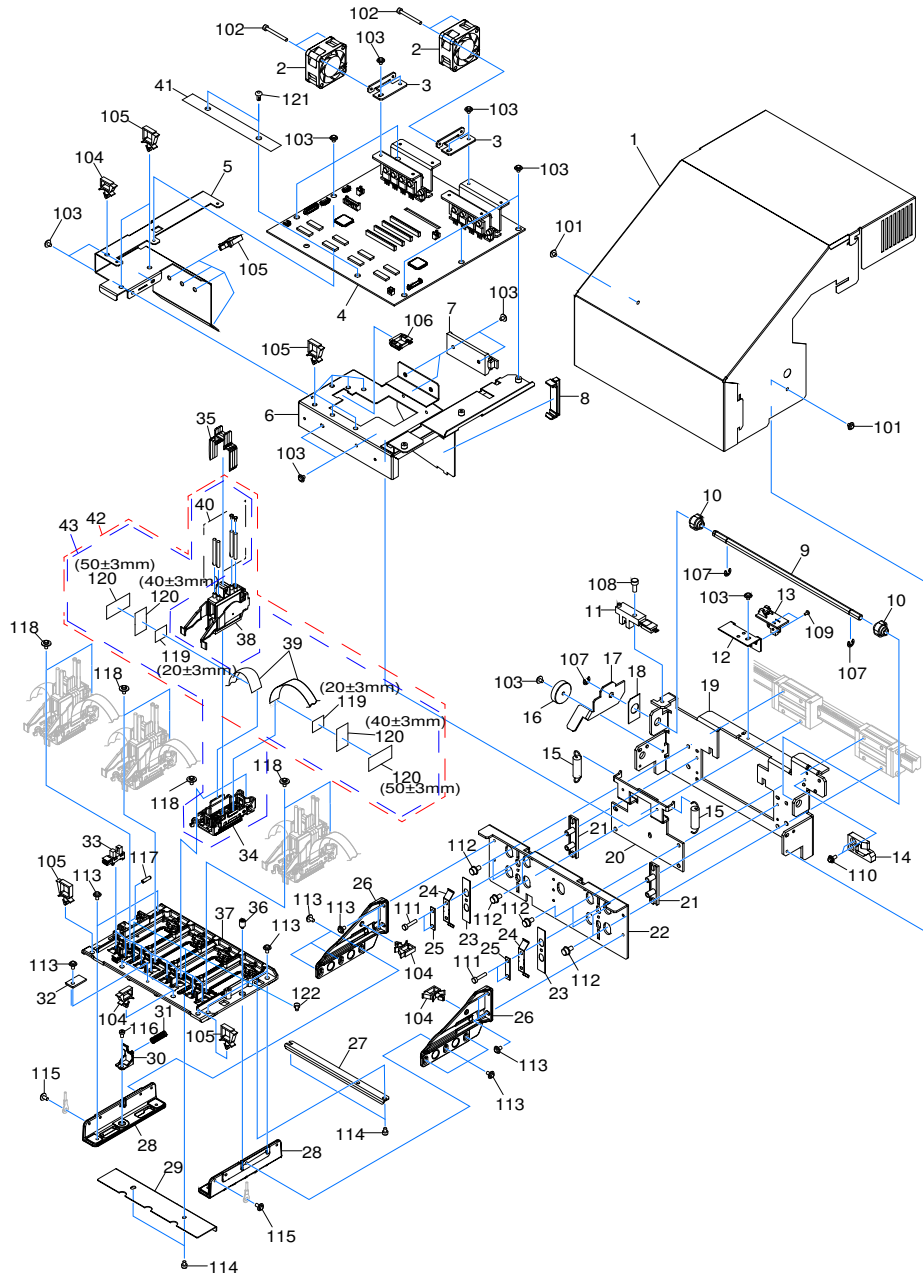




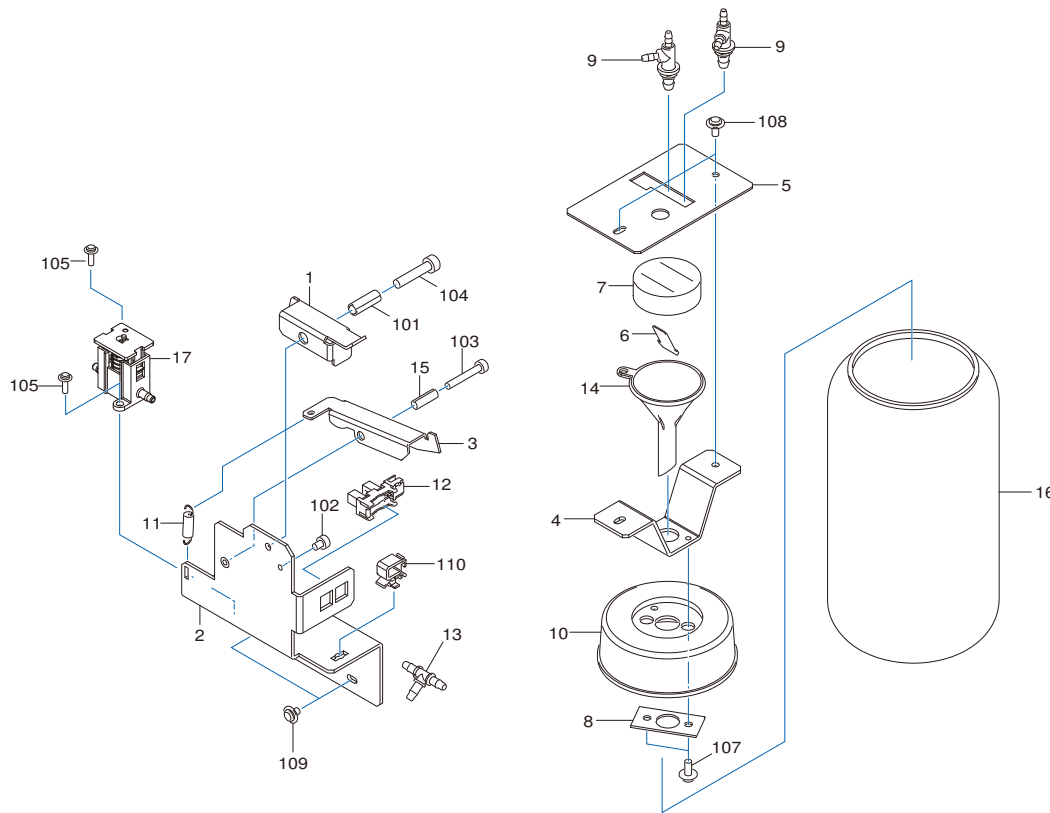
Pos	Code	Description
1	1000014906	FLANGE,MOTOR FEED VS-640I
2	1000017230	STAY,SUPPORT RAIL R VG-640 TH
3	1000014121	COVER,FEED GEAR RE-640
4	1000006709	R-BEARING,6000ZZNR*NS7S
5	21685128	GEAR H300 S10(B6C16POM)
6	6000003427	ASSY,FEED MOTOR SV VG-640 T
7	22175157	SPRING,C P-ROLLER CM-500
8	1000002593	FLANGE,GRIT-ENCORDER VP-540
9	1000015595	STOPPER,GRIT-ENCORDER VP-540
10	1000002162	SHEET,ROTARY DISK SLIT 360LPI
11	1000014904	STAY,G-ENCODER SENSOR VP-540
12	W704620030	ASSY,GRIT ENCODER CG2032
101	3000000172	SCREW SET,CAP M4*8 NI WSH4*9*0.8 20P
102	31049170AS	SCREW SET,CAP M3*8 NI 50 PCS.
103	31199701AS	SCREW SET,SET WP M3*3 NI 20 PCS
104	31229103AS	SCREW SET,TRUSS M2*6 NI 100 PCS
105	31289102AS	CUPSCREW SET,M3*6 NI 50 PCS.
106	31299102AS	RIVET SET,NYLON P2655B 20 PCS.
107	31409702	SADDLE SET,LOCKING WIRE LES-1010 20P



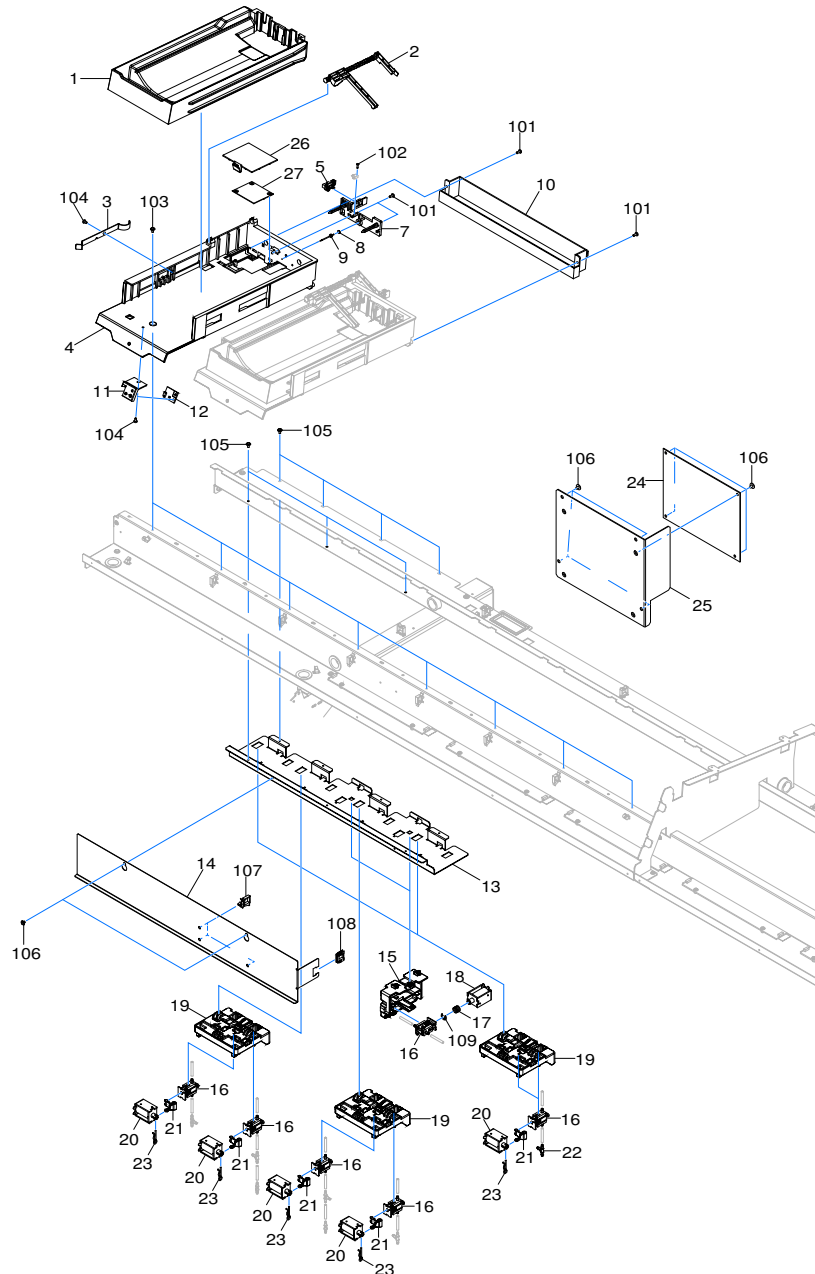
Pos	Code	Description
1	1000015842	COVER,PRINT CARRIAGE VG-640_01
2	1000018524	FAN,109P0424H642_80
3	1000015473	STAY,FAN CARRIAGE SG-540
4	W704622010	ASSY,PRINT CARRIAGE BOARD CG2032
5	1000017352	STAY,CARRIAGE TUBE CG2032
6	1000017351	STAY,HOLDER CARRIAGE B CG2032
7	11769118	CLAMP,FCM2-S6-14
8	1000014756	GUIDE,TUBE VG-640
9	1000014216	SHAFT,HEXAGON CARRIAGE EJ-640
10	1000015115	CAM,CARRIAGE FJ-540_02
11	1000006689	SENSOR-INTERRUPTER,EE-SX4009-P1
12	1000015477	PLATE,ENC SENS SG-540
13	1000015533	ASSY,LINEAR ENCODER BOARD SG-540
14	21345105	LOCK,CJ-500
15	1000015808	SPRING,PULL CARRIAGE 5700 VG-640
15	1000020071	SPRING,PULL CARRIAGE 5700 VG-640TH
16	1000011928	MAGNET,SMF-2144
17	1000017234	LEVER,CARRIAGE VG-640 TH
18	1000014118	SPACER,U/D LEVER VP-540_01
19	1000015475	BASE,HOLDER CARRIAGE SG-540
20	1000014213	SUPPORT,CARRIAGE BOARD EJ-640
20	1000020070	SUPPORT,CARRIAGE BOARD EJ-640TH
21	1000015113	SLIDER,CARRIAGE FJ-540_02
22	1000015046	FRAME,CARRIAGE U/D VG-640
22	1000020069	FRAME,CARRIAGE U/D VG-640TH
23	1000020067	PLATE,SLIDER CARRIAGE FJ-540TH
24	1000014902	SPRING,CARRIAGE SIDE FJ-50
25	1000010186	SPACER,CARRIAGE SLIDE XF-640
25	1000020066	SPACER,CARRIAGE SLIDE XF-640TH
26	1000014771	BASE,CARRIAGE SIDE ADC VG-640
27	1000016913	COVER,IJ HEAD REAR VG-640
28	1000014773	STAY,CARRIAGE ADC VG-640
29	1000016915	COVER,CARRIAGE MIST VG-640_01
29	1000019102	COVER,CARRIAGE MIST VG-640_02
30	1000014774	BLOCK,ADJUST CARRIAGE VG-640
31	1000014753	SPRING,CARRIAGE SIDE VG-640
31	1000015480	SPRING,CARRIAGE SIDE SG-540
32	1000015534	ASSY,THERMISTOR BOARD SG-540
33	1000011069	SENSOR-INTERRUPTER,OJ-535S-A5
34	6000003425	ASSY,INKJET HEAD (HEAD ONLY) SV CG2048



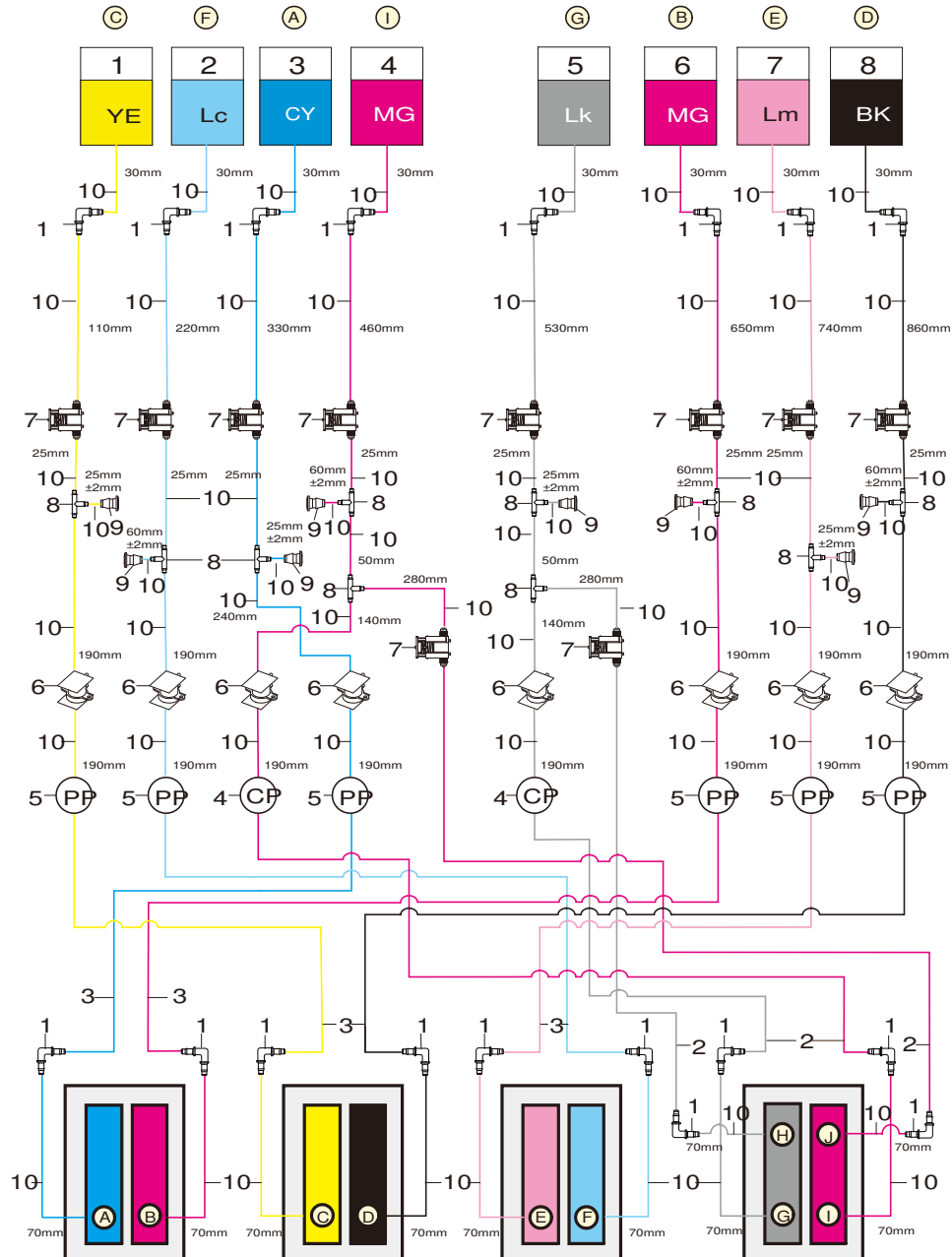
Pos	Code	Description
35	1000015045	GUARD,FFC HEAD VG-640
36	1000014772	PIN,PIVOT SCREW VG-640
36	1000015479	PIN,PIVOT SCREW SG-540
37	1000016914	BASE,CARRIAGE ADC VG-640_01
37	1000018832	BASE,CARRIAGE ADC VG-640_02
38	1000015256	ASSY,DAMPER DOUBLE CIR 2 VG-640
38	1000019701	ASSY,DAMPER DOUBLE CIR CG2075
39	1000017570	CABLE-CARD,24P0.5 250L BB HIGH-V S
40	1000018253	HEAD TUBE 70MM+STOPPER SET SV CG2048
41	W704622020	ASSY,FLEX BOARD CG2032
42	1000018349	HEAD CABLE-CARD 250L SET SV CG2048
43	6000003991	ASSY,INKJET HEAD 250L SV VG-640A
43	6000004770	ASSY,IJ HEAD SOL 250L SV CG2076
101	31089110AS	SCREW SET,PAN M3*4 NI+PW 100 PCS
102	3000000465	CAP-SCREW,3*30 NI 100PCS
103	31289109AS	CUPSCREW SET,M3*4 NI 100 PCS
104	3000000560	SADDLE,LOCKING WIRE LWS-0711Z_TH
104	31409801AS	SADDLE,LOCKING WIRE LWS-0711Z 20P
105	31409811AS	SADDLE SET,LOCKING WIRE LWS-1211Z 20P
106	31409702	SADDLE SET,LOCKING WIRE LES-1010 20P
107	31149703AS	RING SET,E-RING ETW-4 100 PCS.
108	31049173AS	SCREW SET,CAP M4*10 NI 50 PCS.
109	31019169	SCREW SET,BINDING M2*4 NI 100 PCS.
110	31239125AS	SCREW SET,W-SEMS M3*8 SUS 50 PCS.
111	31799103	SCREW SET,CAP M3*15 NI 20PCS
112	3000000172	SCREW SET,CAP M4*8 NI WSH4*9*0.8 20P
113	31089117	SCREW SET,PAN 3*6 NI+PW 100 PCS.
114	31049119	SCREW SET,CAP M3*4 NI 20PCS.
115	31289102AS	CUPSCREW SET,M3*6 NI 50 PCS.
116	3000000414	LH-SCREW,CSHBTT-SUS-M3-5 20PCS
117	3000000413	SET-SCREW,MARUSAKI_3_12_NI 20PCS
118	3000000415	NABE,3*6 NI WASHER D5 20PCS
119	3000000435	TAPE,650S-25-20X20
120	3000000508	TAPE,AL-19ST 19MM*50M
121	31299102AS	RIVET SET,NYLON P2655B 20 PCS.
122	31289112AS	CUPSCREW SET,M3*10 NI 100 PCS.



Pos	Code	Description
1	1000015445	KNOB,WASTE VALVE SG-540
2	1000016164	STAY,WASTE VALVE SG-540_01
3	1000015447	LEVER,WASTE VALVE SG-540
4	1000015430	HOLDER,WASTE TUBE SG-540
5	1000018316	HOLDER,FUNNEL VG-640_01
6	1000015741	STOPPER,TUBE FAI8 VG-640
6	1000020063	STOPPER,TUBE FAI8 VG-640TH
7	1000015742	PAD,INK FUNNEL ANTIFOAM VG-640
7	1000020062	PAD,INK FUNNEL ANTIFOAM VG-640TH
8	22055474	PLATE,INK CATCH TANK FJ-52
9	1000001577	ADAPTER,TUBE 2-4-T XC-540
10	7520501000	ASSY,CAP BOTTLE 2 FJ-52
11	22175122	SPRING,BACK UP PNC-960
12	1000011069	SENSOR-INTERRUPTER,OJ-535S-A5
13	1000011924	ADAPTER,JUNCTION VPT-306
13	1000017902	ADAPTER,JUNCTION 3T CG2023
14	1000014476	GUIDE,INK FUNNEL PE 6-316-01
15	3000000322	BUSH,ROLL 3*12.5 3C
16	11369115	CASE,PP BOTTLE
17	1000012701	VALVE,CHOKE XF-640
17	1000019097	VALVE,CHOKE CG2057
101	31029817	BUSH SET,ROLL 4*15 3C 20PCS
102	31049119	SCREW SET,CAP M3*4 NI 20PCS.
103	3000000464	CAP-SCREW,3*20 NI
103	31049172	SCREW SET,CAP M3*20 NI 20PCS
104	31049175AS	SCREW SET,CAP M4*20 NI 20 PCS.
105	31089121AS	SCREW SET,PAN M2.3*8 NI+PW 100PCS
107	31239125AS	SCREW SET,W-SEMS M3*8 SUS 50 PCS.
108	31289102AS	CUPSCREW SET,M3*6 NI 50 PCS.
109	31289109AS	CUPSCREW SET,M3*4 NI 100 PCS
110	3000000560	SADDLE,LOCKING WIRE LWS-0711Z_TH
110	31409801AS	SADDLE,LOCKING WIRE LWS-0711Z 20P

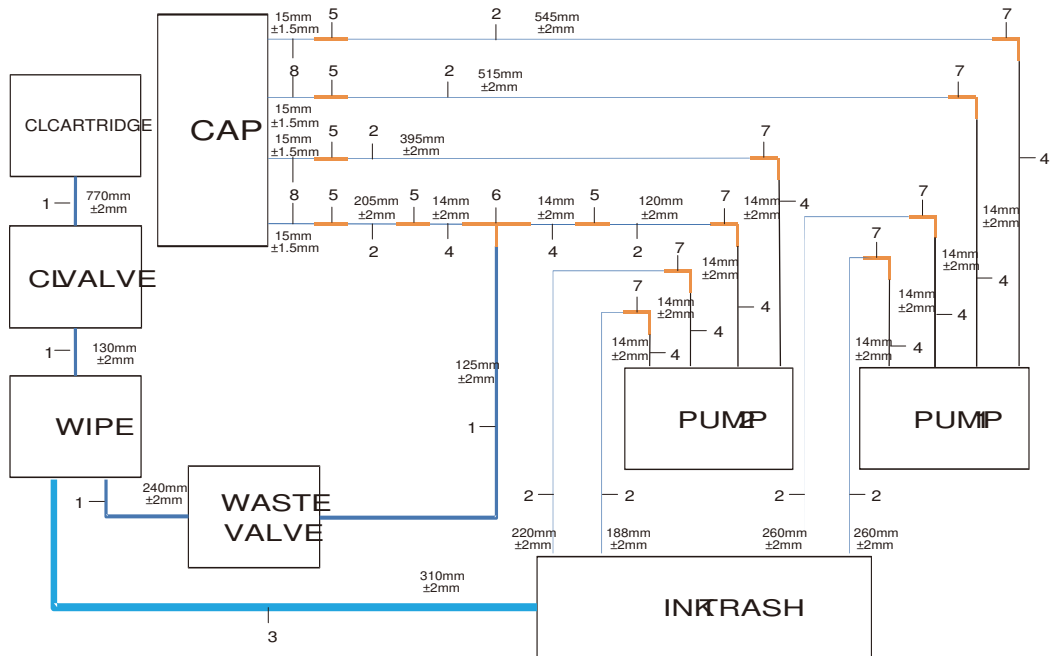


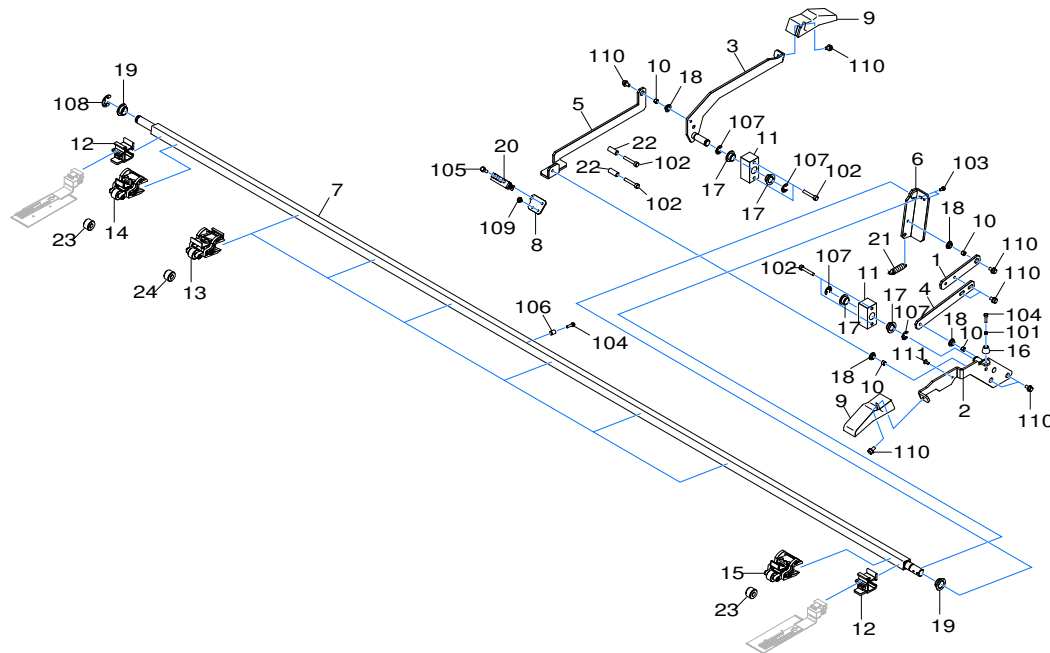
Pos	Code	Description
1	1000014586	TRAY, INK POUCHES VG-640
2	1000017437	LEVER, INK EMPTY CG2023
3	1000017438	SPRING, PLATE I/C CG2023
4	1000017436	FRAME, HOLDER I/C CG2023
5	1000011069	SENSOR-INTERRUPTER, OJ-535S-A5
7	1000017435	HOLDER, NEEDLE I/C CG2023
8	1000007988	RING, O 1.1*5.5
9	1000014443	NEEDLE, FAI1.2 VG-640
10	1000017443	TRAY, INK HOLDER CG2023
11	1000017453	HOLDER, CARTRIDGE LED CG2023
12	1000017428	ASSY, CARTRIDGE LED BOARD CG2032
13	1000017346	BASE, CHOKE SOLENOID CG2032
14	1000017347	COVER, SELECTOR VALVE CG2032
15	1000017442	HOLDER, CIRCULATION VALVE CG2023
16	1000012701	VALVE, CHOKE XF-640
16	1000019097	VALVE, CHOKE CG2057
17	1000014140	SPRING, VALVE BIF-2
17	1000020061	SPRING, VALVE BIF-2TH
18	1000014297	SOLENOID, TDS-08A DC-24V TYPE2
18	1000018523	SOLENOID, TDS-08A DC-24V TYPE2
19	1000017441	HOLDER, SELECTOR VALVE CG2023
20	1000011947	SOLENOID, TDS-08A DC-24V
20	1000018518	SOLENOID, TDS-08ADC-24V
21	1000012171	CAM, CHOKE VALVE RF-640
23	1000012170	PIN, SNAP M8 SUS
24	1000017425	ASSY, INKSYSTEM RFID BOARD CG2032
25	1000015429	STAY, INKSYSTEM BOARD SG-540
26	1000017439	COVER, RFID I/C CG2023
27	1000014128	RFID-MODULE, LXRFZZHAAA-022
101	31019703	SCREW, BINDING P-TIGHT M3*8 3C 100P
102	3000000412	BIND, P-TIGHT 2*8 3C 20PCS.
103	31289105AS	CUPSCREW SET, M3*6 3CBC 100 PCS
104	31019702AS	SCREW SET, BIND P-TIGHT M3*6 3C 100P
105	31289102AS	CUPSCREW SET, M3*6 NI 50 PCS.
106	31289109AS	CUPSCREW SET, M3*4 NI 100 PCS
107	31409811AS	SADDLE SET, LOCKING WIRE LWS-1211Z 20P
108	31409702	SADDLE SET, LOCKING WIRE LES-1010 20P
109	31149704AS	RING SET, E-RING ETW-6 SUS 100 PCS



Pos	Code	Description
1	1000007124	ADAPTER,JOINT VPL306
1	1000017901	ADAPTER,JOINT 3L CG2023
2	1000017553	TUBE,PT05-RDG 3X3.8 LINK4 CG2032
3	1000017554	TUBE,PT05-RDG 3X3.8 LINK6 CG2032
4	6701219010	ASSY,CIRCULATING PUMP LEC-330
5	6000002334	ASSY,PRESS PUMP VG-640
6	1000014759	ASSY,VALVE VG-640
7	1000012701	VALVE,CHOKE XF-640
7	1000019097	VALVE,CHOKE CG2057
8	1000011924	ADAPTER,JUNCTION VPT-306
8	1000017902	ADAPTER,JUNCTION 3T CG2023
9	1000012699	PLUG,STOPPER VSP206
9	1000017900	PLUG,STOPPER FAI3 CG2023
10	3000000489	TUBE,PT05-RDG 3X3.8 100M

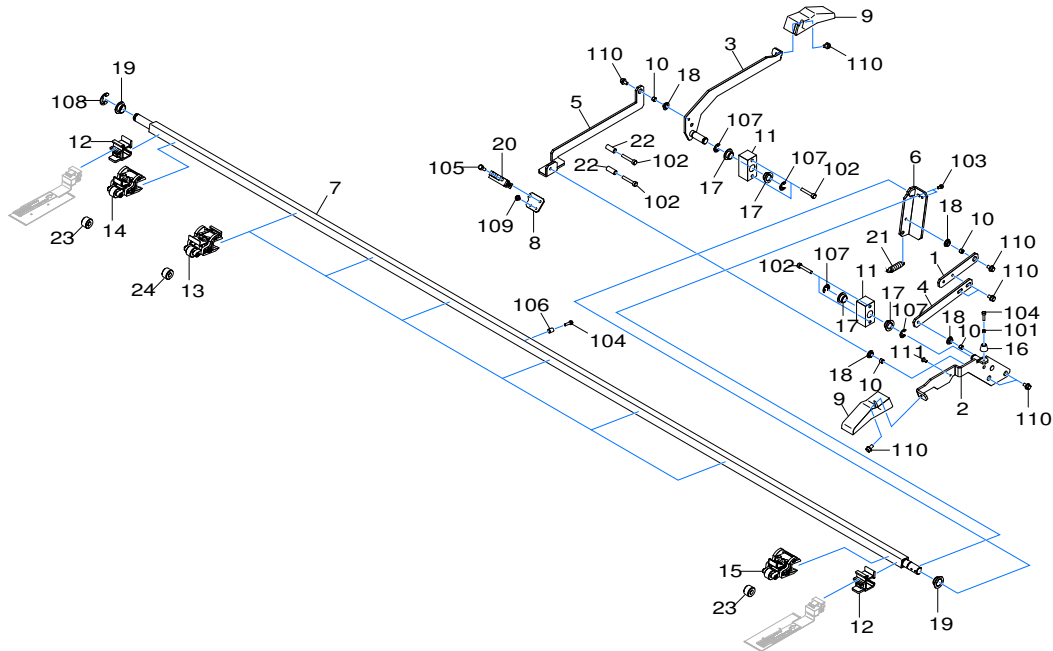
Pos	Code	Description
1	3000000489	TUBE,PT05-RDG 3X3.8 100M
1	6000003132	TUBE,CUT PT05-RDG 3X3.8 1500MM
2	3000000416	TUBE,SJ-RDG 2.23.2 100M
3	3000000422	TUBE,TM-15 6*8 50M
4	1000002123	TUBE,EPDM ID2-OD4 50MM
5	1000014829	ADAPTER,JOINT MCI-1
6	1000011924	ADAPTER,JUNCTION VPT-306
6	1000017902	ADAPTER,JUNCTION 3T CG2023
7	1000008314	ADAPTER,JOINT 2L MCL-1
8	3000000416	TUBE,SJ-RDG 2.23.2 100M



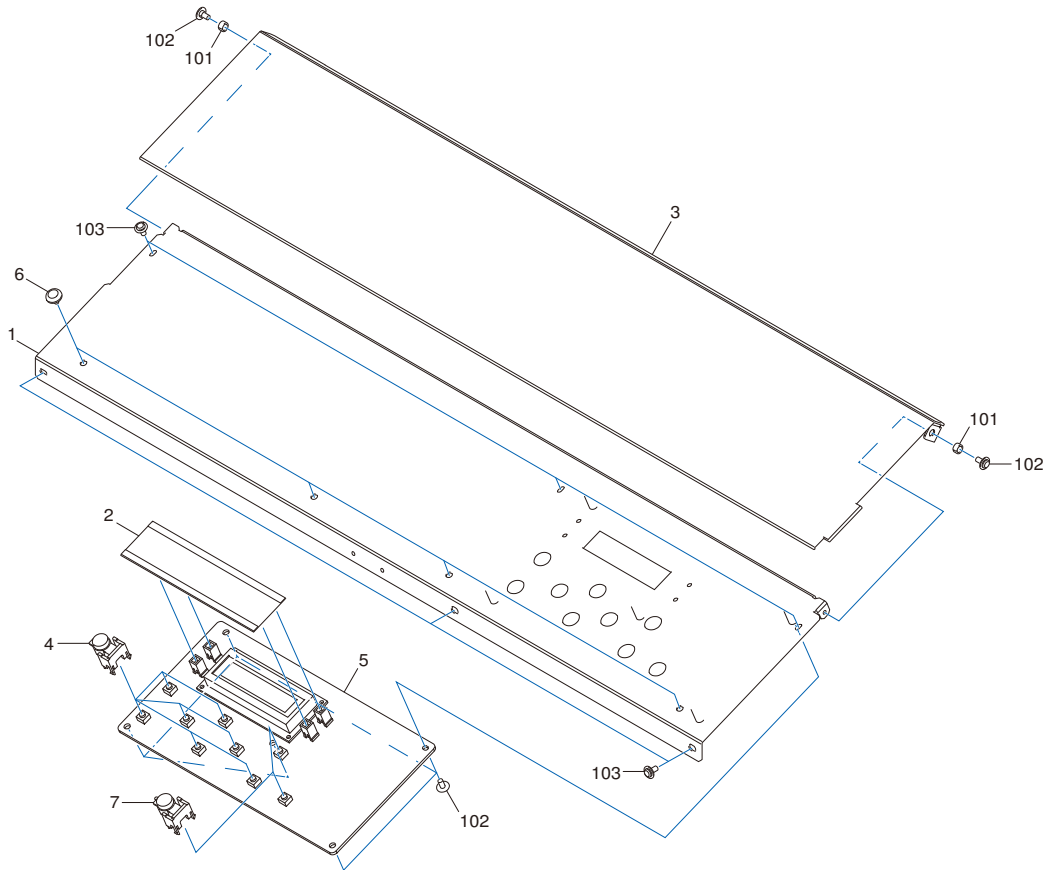


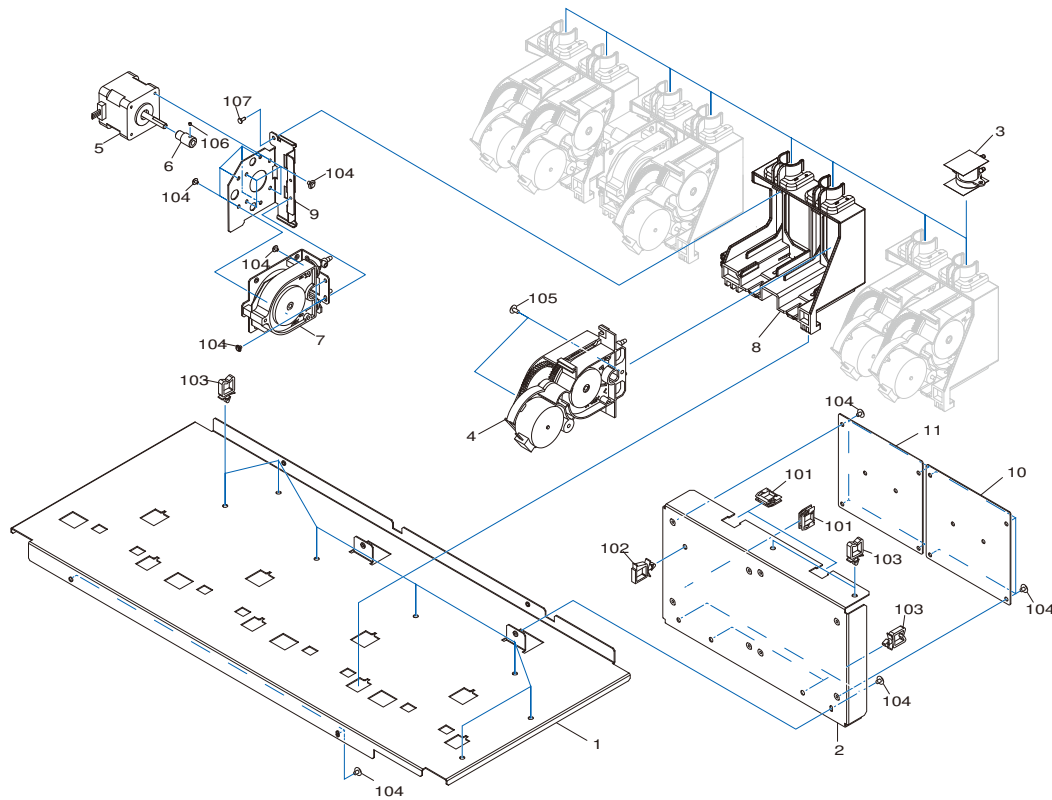
Pos	Code	Description
1	1000015384	STAY,LEVER ADJ SG-540
2	1000015385	LEVER,CAM PINCH FRONT SG-540
2	1000016836	LEVER,CAM PINCH FRONT SG-540_01
3	1000016837	LEVER,CAM PINCH REAR SG-540_01
4	1000016838	STAY,LINK FRONT SG-540_01
5	1000015388	STAY,LINK REAR SG-540
6	1000016839	PLATE,LINK SUPPORT SG-540_01
7	1000015383	SHAFT,SQUARE SG-540
8	1000014401	STAY,PINCH SENS VG-640
9	1000014431	KNOB,VG-640
10	1000012953	COLLAR,LEVER FJ-540
11	22035196	STAND,LEVER SP-300
12	1000015110	ADAPTER,CLAMP MEDIA SP-500_01
13	1000015672	ASSY,PINCHROLL C SG-540
13	6000003805	ASSY,PINCHROLL C CG2032
13	6000003806	ASSY,PINCHROLL C CG2048
13	6000005176	ASSY,PINCHROLL C VG-640
14	1000015671	ASSY,PINCHROLL L SG-540
14	6000005178	ASSY,PINCHROLL L VG-640
14	6700460210	ASSY,PINCHROLL L VP-540
15	1000015670	ASSY,PINCHROLL R SG-540
15	6000005177	ASSY,PINCHROLL R VG-640
15	6700460220	ASSY,PINCHROLL R VP-540
16	11879107	ABSORBER TK-12
17	1000018503	BUSH,80F-1006
17	12159563	BUSH,80F-1006
18	1000018512	BUSH,80F-0603
18	12159573	BUSH,80F-0603
19	1000018504	BUSH,SHAFT OILES 80F-1206
19	12159508	BUSH,SHAFT OILES 80F-1206
20	1000006689	SENSOR-INTERRUPTER,EE-SX4009-P1
21	1000012989	SPRING,PINCH PNC-1850
22	1000020065	COLLAR,P-ROLLER PNC-960TH
22	21745101	COLLAR,P-ROLLER PNC-960
23	21565102	P-ROLLER TD16S4(B10) TYPE2
23	6000003824	ASSY,P-ROLLER TD16S4(B10) TYPE 2_01
24	1000015305	P-ROLLER,FD16S4(B10) TYPE5
24	21565103	P-ROLLER FD16S4(B10) TYPE2
24	6000003823	ASSY,P-ROLLER FD16S4(B10) TYPE 2_01
101	31029802AS	BUSH SET,ROLL 3*3.5 3C 100PCS.

Pos	Code	Description
102	3000000423	CAP-SCREW,4*25 3CBC 100PCS
102	31049137AS	SCREW SET,CAP M4*25 3CBC 20 PCS
103	31049142AS	SCREW SET,CAP M3*6 NI MEC 20 PCS
104	31049171AS	SCREW SET,CAP M3*12 NI 50 PCS.
105	31049173AS	SCREW SET,CAP M4*10 NI 50 PCS.
106	31129101	PIPE SET,POLYCA 3*6*8 20PCS
107	3000000558	RING,E ETW-7 SUS_TH
107	31149705	RING SET,E-RING ETW-7 SUS 50PCS
108	3000000559	RING,E ETW-10 SUS_TH
108	31149706AS	RING SET,E-RING ETW-10 SUS 20 PCS
109	31289102AS	CUPSCREW SET,M3*6 NI 50 PCS.
110	3000000172	SCREW SET,CAP M4*8 NI WSH4*9*0.8 20P
111	31159904	RIVET SET,NYLON P3065B 20 PCS.

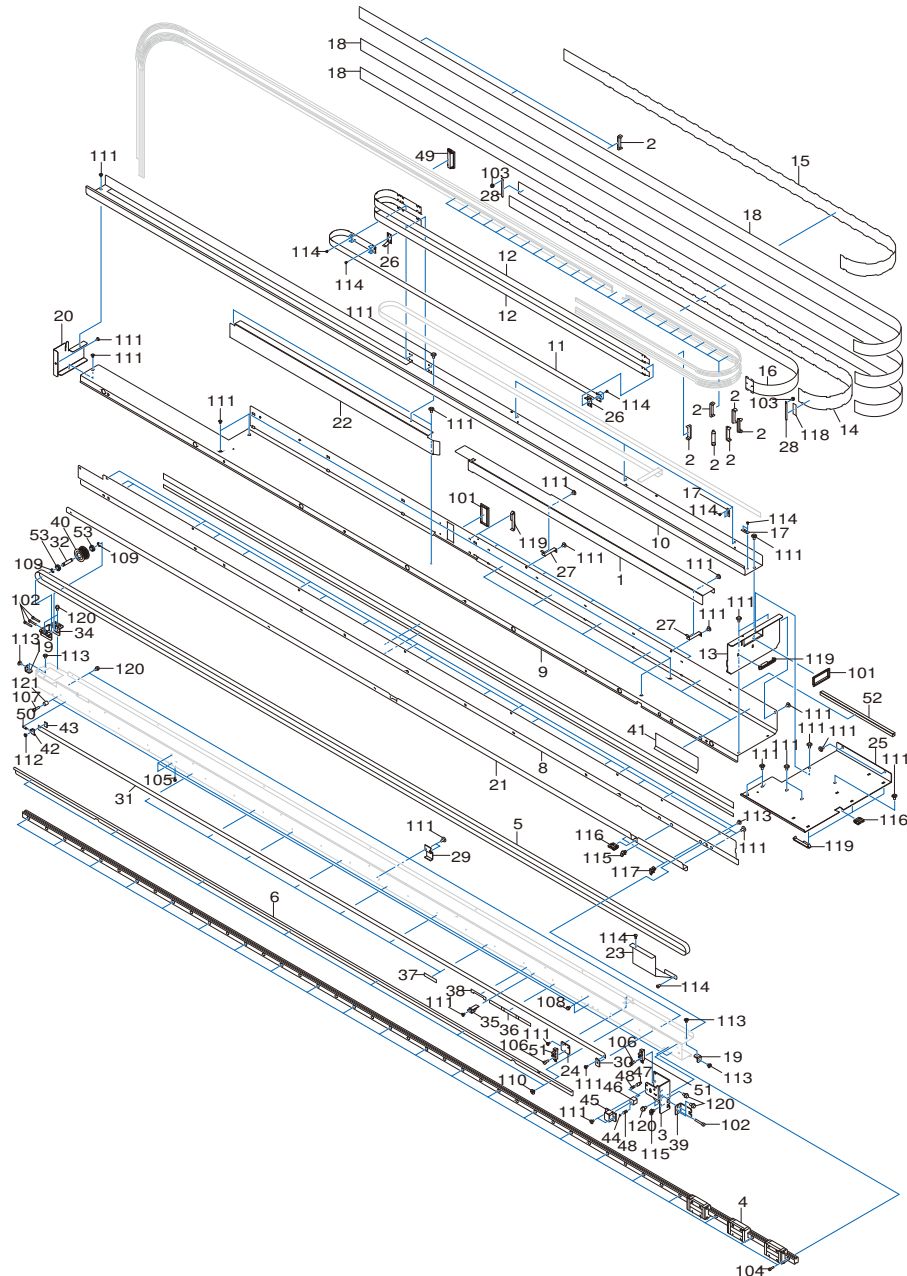


Pos	Code	Description
1	1000014379	STAY,PANEL VG-640
1	1000015420	STAY,PANEL SG-540
2	1000015421	SHEET,PANEL SG-540
3	1000016205	COVER,PANEL VG-540TH
4	1000014481	KEY, TOP BLACK VG-640
5	1000015536	ASSY,PANEL BOARD SG-540
6	12239406	CUSHION, TM-96-6
7	1000012564	KEY, TOP CLEAR GS-24
101	31029820	BUSH SET, ROLL 3*2 3C 50PCS
102	31289102AS	CUPSCREW SET, M3*6 NI 50 PCS.
103	31289105AS	CUPSCREW SET, M3*6 3CBC 100 PCS

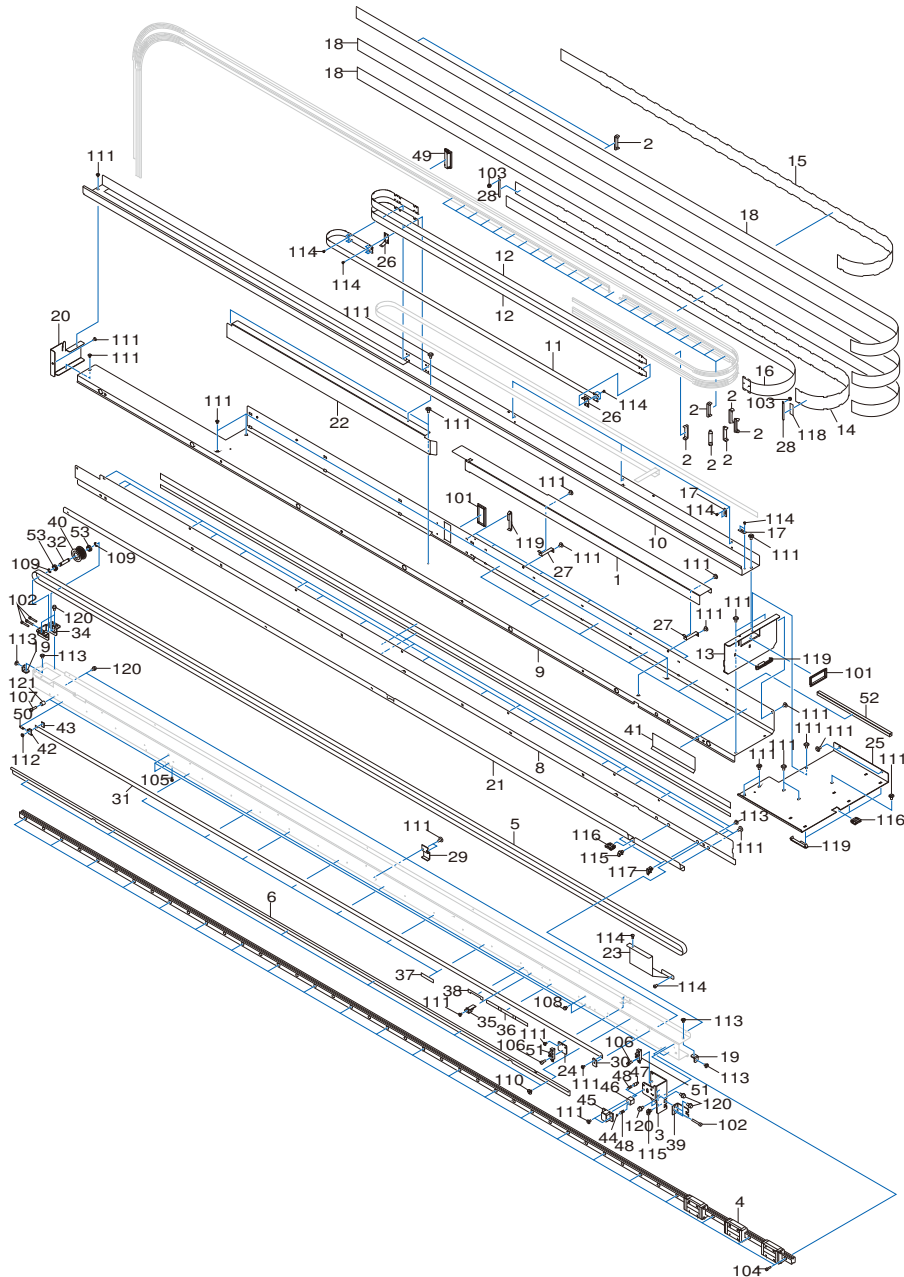




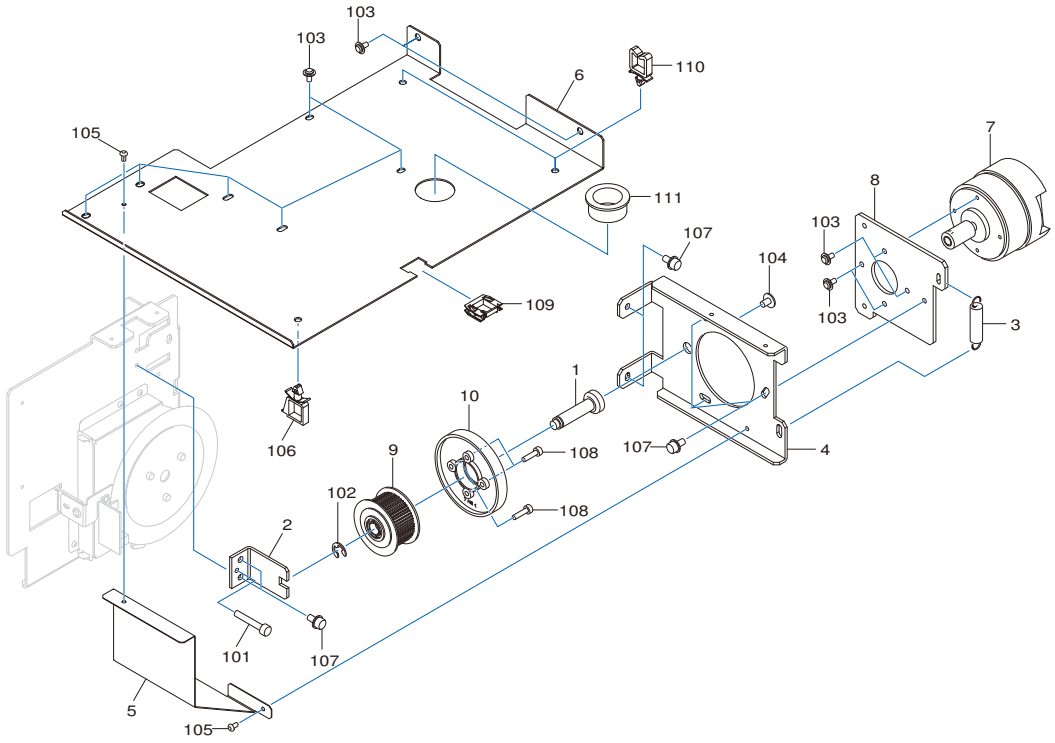
Pos	Code	Description
1	1000017349	PLATE,UNDER L CG2032
2	1000015470	STAY,PUMP BOARD SG-540
3	1000014759	ASSY,VALVE VG-640
4	6000002334	ASSY,PRESS PUMP VG-640
5	1000007733	MOTOR,XS-5208-064
5	1000018514	MOTOR,103-5208-85542
6	1000012988	GEAR,S10B20
7	6701219010	ASSY,CIRCULATING PUMP LEC-330
8	1000017440	HOLDER, PRESS PUMP CG2023
9	1000017460	BRACKET, PUMP MOTOR CG2023
10	1000015539	ASSY,PUMP DRIVE BOARD 0.6A*4 SG-540
11	1000017423	ASSY,PUMP DRIVE BOARD 0.6A*2 CG2032
101	31409702	SADDLE SET,LOCKING WIRE LES-1010 20P
102	31409811AS	SADDLE SET,LOCKING WIRE LWS-1211Z 20P
103	3000000216	SADDLE,WIRE WS-2N-V0
104	31289109AS	CUPSCREW SET,M3*4 NI 100 PCS
105	31289102AS	CUPSCREW SET,M3*6 NI 50 PCS.
106	31199701AS	SCREW SET,SET WP M3*3 NI 20 PCS
107	31019703	SCREW,BINDING P-TIGHT M3*8 3C 100P



Pos	Code	Description
1	1000010579	SUPPORT,CUT CABLE VS-640I
2	1000014756	GUIDE,TUBE VG-640
3	1000015351	STAY,LOCK SG-540
4	1000015357	L-BEARING,SSR15XW1GGC1E/2GC1E+2320L
5	1000015650	BELT,150S2M2459LW-C
6	1000015359	RAIL,LINER SCALE SG-540
8	1000015361	PLATE,RAIL REAR SG-540
9	1000015365	FRAME,SUPPORT RAIL SG-540
10	1000015366	GUIDE,CUT CABLE SG-540
11	1000015658	PLATE,CUT CABLE VG-540
12	1000015380	SHEET,CUT CABLE SG-540
13	1000015367	COVER,RAIL SIDE R SG-540
14	1000015372	HOLDER,CABLE F SG-540
15	1000015373	HOLDER,CABLE SG-540
16	1000015647	PLATE,HOLDER CABLE VG-540
17	1000015428	PLATE,CABLE SLIT SG-540
18	1000015648	SHEET,HOLDER CABLE VG-540
18	1000020084	SHEET,HOLDER CABLE VG-540TH
19	1000015362	STAY,RAIL GUIDE SG-540
20	1000015369	COVER,RAIL SIDE L SG-540
21	1000015363	STAY,RAIL UNDER SG-540
22	1000015371	SUPPORT,GUIDE CABLE SG-540
23	1000014426	COVER,SCAN MOTOR VG-640
24	1000015364	PLATE,CUT ORIGIN SG-540
25	1000017361	SUPPORT,SCAN MOTOR CG2032
26	1000015101	PLATE,GND C VG-640
27	1000015102	STAY,GND VG-640
27	1000020082	STAY,GND VG-640TH
28	1000015103	PLATE,GND P VG-640
29	1000015596	HOLDER,BACKUP SHAFTSQUARE RE-640
30	22135441	STOPPER,LINER SCALE FJ-540
31	1000003665	SHEET,LINER SCALE XJ-540
32	1000012957	SHAFT,IDLE PULLEY XC-540
34	1000001555	HOLDER,IDLE PULLEY XC-540
35	1000012965	STAY,HOLD SHAFT SQUARE SP-500
36	1000002971	LABEL,G-ROLLER 170 VP-540 #LA978
37	1000002970	LABEL,G-ROLLER 50 VP-540 #LA977
38	1000002685	LABEL,PINCH ROLL VP-540#LA968
39	1000002534	STAY,SHAFT DRIVE PULLEY VP-540
39	1000020056	STAY,SHAFT DRIVE PULLEY VP-540TH

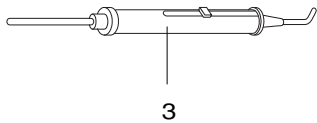
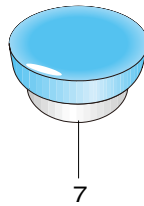
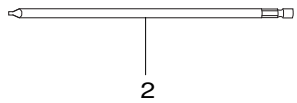
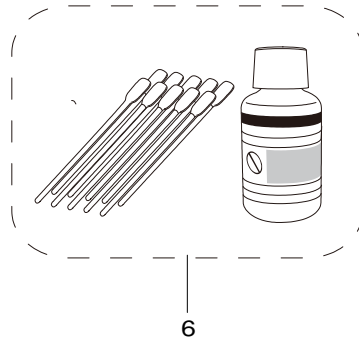
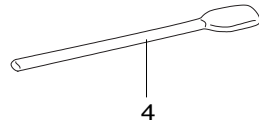
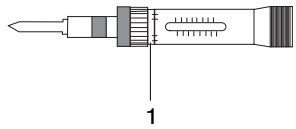


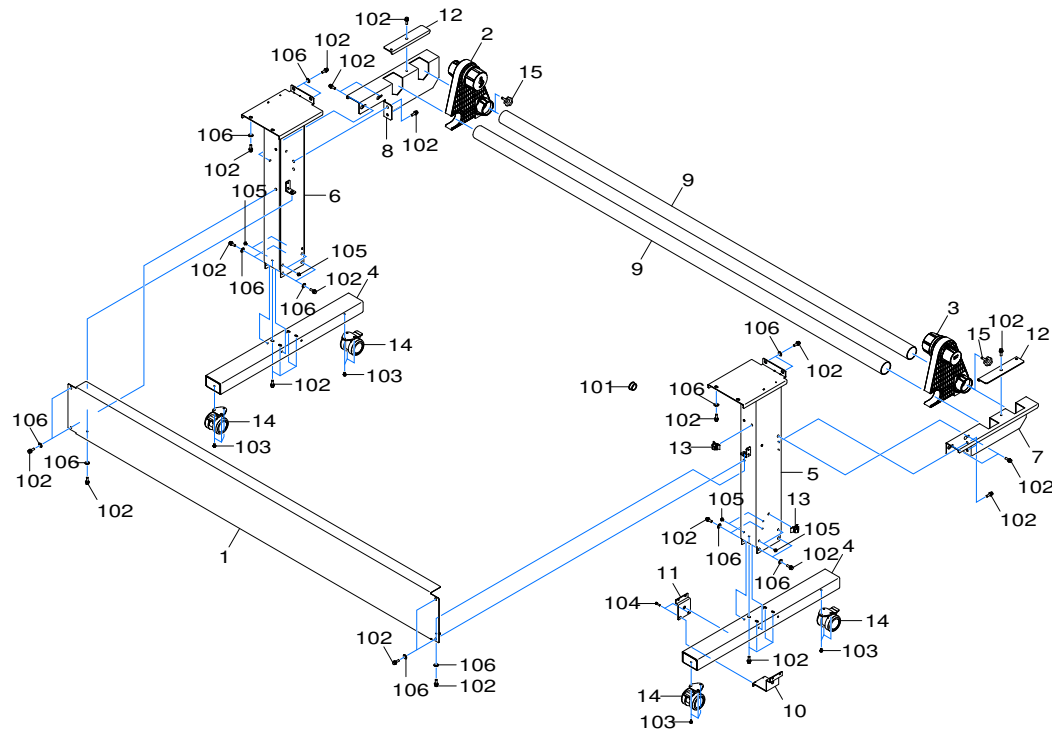
Pos	Code	Description
40	1000001904	PULLEY,T55P2S16(B21C26)
41	1000012983	SHEET,FRAME SUPPORT RAIL VP-540
42	1000012985	HOLDER,LINEAR SCALE CJ-70
43	22055316	PLATE,LINEAR SCALE CJ-70
44	11869103	BALL,4MM
45	1000016171	CASE,LOCK CJ-70_02
46	1000016170	SLIDER,LOCK CJ-70_02
47	1000012944	SHAFT,LOCK CJ-70
48	22175134	SPRING,A CJ-70
49	11769118	CLAMP,FCM2-S6-14
50	22175122	SPRING,BACK UP PNC-960
51	1000006689	SENSOR-INTERRUPTER,EE-SX4009-P1
52	1000015159	GASKET,STGH 10-10 L=300MM
53	22175815	BEARING F8-16ZZ
101	31029106	BUSH,SQUARE SB-6025
102	3000000423	CAP-SCREW,4*25 3CBC 100PCS
102	31049137AS	SCREW SET,CAP M4*25 3CBC 20 PCS
103	31049154AS	SCREW SET,CAP M3*6 NI+PW 20 PCS
104	31049155AS	SCREW SET,CAP M3*12 BC+PW 20 PCS.
105	31049170AS	SCREW SET,CAP M3*8 NI 50 PCS.
106	31049173AS	SCREW SET,CAP M4*10 NI 50 PCS.
107	31049174AS	SCREW SET,CAP M4*15 NI 20 PCS.
108	31069104	SCREW,CAP M4*6+FL NI
109	31149704AS	RING SET,E-RING ETW-6 SUS 100 PCS
110	31239103AS	SCREW SET,W-SEMS M3*8 NI+PW 50 PCS
111	31289102AS	CUPSCREW SET,M3*6 NI 50 PCS.
112	31289109AS	CUPSCREW SET,M3*4 NI 100 PCS
113	31289111AS	CUPSCREW SET, M4*6 NI 100 PCS.
114	31299102AS	RIVET SET,NYLON P2655B 20 PCS.
115	31329501AS	CLAMP SET,PUSH MOUNT RT30SSF5 20P
116	31409702	SADDLE SET,LOCKING WIRE LES-1010 20P
117	3000000560	SADDLE,LOCKING WIRE LWS-0711Z_TH
117	31409801AS	SADDLE,LOCKING WIRE LWS-0711Z 20P
118	3000000521	TAPE,FILAMENT 3M #898 12MMX50M
118	31549101	3M 898 FILAMENT TAPE 12MM*50M
119	3000000033	CLAMP,WIRE PLESS RFC-45VO
120	3000000172	SCREW SET,CAP M4*8 NI WSH4*9*0.8 20P
121	31129102	PIPE SET,POLYCA 4*8*10 20PCS



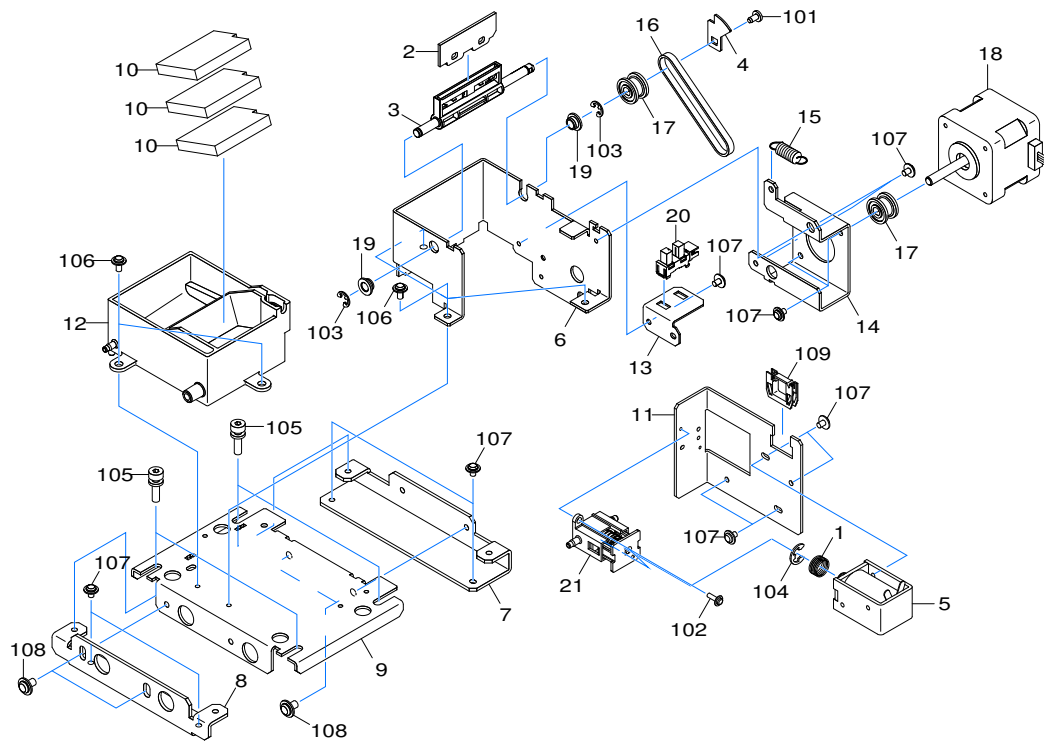
Pos	Code	Description
1	1000012807	SHAFT,DRIVE PULLEY XC-540
2	1000002534	STAY,SHAFT DRIVE PULLEY VP-540
2	1000020056	STAY,SHAFT DRIVE PULLEY VP-540TH
3	22175157	SPRING,C P-ROLLER CM-500
4	1000014402	BASE,SCAN DRIVE VG-640
4	1000020072	BASE,SCAN DRIVE VG-640TH
5	1000014426	COVER,SCAN MOTOR VG-640
6	1000017361	SUPPORT,SCAN MOTOR CG2032
7	6000002333	ASSY,SCAN MOTOR SV VG-640
8	1000014403	FLANGE,MOTOR SCAN VG-640
9	6700469030	ASSY,PULLEY VP-540
10	1000001905	GEAR,H187S20(B8)
101	3000000423	CAP-SCREW,4*25 3CBC 100PCS
101	31049137AS	SCREW SET,CAP M4*25 3CBC 20 PCS
102	31149704AS	RING SET,E-RING ETW-6 SUS 100 PCS
103	31289102AS	CUPSCREW SET,M3*6 NI 50 PCS.
104	31289111AS	CUPSCREW SET, M4*6 NI 100 PCS.
105	31299102AS	RIVET SET,NYLON P2655B 20 PCS.
106	31409811AS	SADDLE SET,LOCKING WIRE LWS-1211Z 20P
107	3000000172	SCREW SET,CAP M4*8 NI WSH4*9*0.8 20P
108	31049171AS	SCREW SET,CAP M3*12 NI 50 PCS.
109	31409702	SADDLE SET,LOCKING WIRE LES-1010 20P
110	3000000216	SADDLE,WIRE WS-2N-V0
111	31029101	BUSH,NB-19

Pos	Code	Description
1	ST-056	TORQUE DRIVER N6
2	1000015274	BIT,PHILLIPS NO.2 L200MM
3	ST-001	TENSION GAUGE 2000GF/2000CN
4	1000003138	SET,CLEANER STICK TX712A 10PCS.
4	1000007172	CLEANER SET,STICK TX712A 100PCS
4	ST-037	CLEAN STICK TX712A
5	6702419050	CLEANING LIQUID(ESL5) 500ML
6	6701409310	KIT,CLEANING(ESL5) 100ML
7	21675102	GREASE,FLOIL G-902 10ML
7	6000004129	GREASE,FLOIL G-902 10ML_02

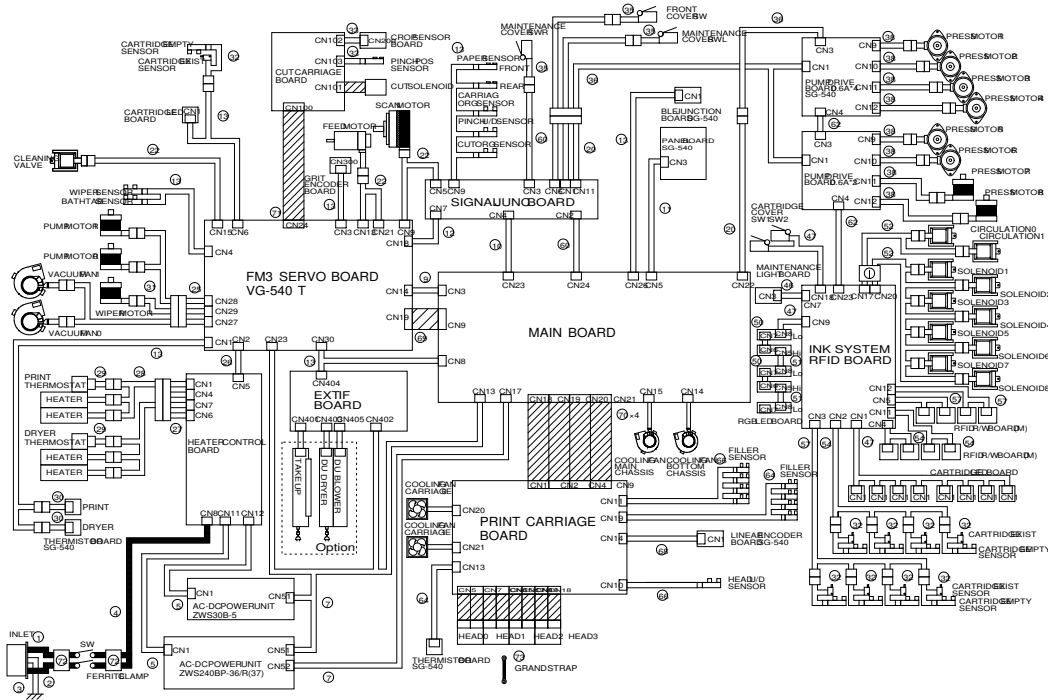




Pos	Code	Description
1	1000015330	STAY,STAND SG-540
2	6000002177	ASSY,FEEDER HOUSING L
2	6000003537	ASSY,FEEDER HOUSING L SV VG-640 T
3	6000002180	ASSY,FEEDER HOUSING R
3	6000003538	ASSY,FEEDER HOUSING R SV VG-640 T
4	1000015325	ASSY,BASE STAND SG-540
5	1000015326	ASSY,STAND LEG R SG-540
6	1000016207	ASSY,STAND LEG L VG-540TH
7	1000015328	ARM,R FEEDER SG-540
8	1000015329	ARM,L FEEDER SG-540
9	1000015601	PIPE,FEEDER SHAFT RS-540
10	1000015176	BRACKET,FRAME R UNDER 2 TUC-2
11	1000015177	PLATE,FRAME R UNDER 2 TUC-2
12	1000003635	STOPPER,PIPE FEEDER XJ-740
13	31379111	CLAMP,CABLE CKS-13-H
14	1000003892	CASTER,STAND XJ-740
15	1000014294	KNOB,KG-B1 M6X30
101	31029101	BUSH,NB-19
102	31049157	SCREW,CAP M6*20 3CBC+PW+SW
103	31049169AS	SCREW SET,CAP M4*8 3CBC+PW 20PCS
104	31049174AS	SCREW SET,CAP M4*15 NI 20 PCS.
105	31239106AS	SCREW SET,W-SEMS M4*8 3CBC 50 PCS
106	31249220AS	WASHER SET,PLAIN 6.5*16*1 NI 100PCS



Pos	Code	Description
1	1000014140	SPRING,VALVE BIF-2
1	1000020061	SPRING,VALVE BIF-2TH
2	1000014754	WIPER,HEAD VG-640
3	1000014755	HOLDER,WIPER 2 VG-640
4	1000014762	PLATE,WIPER SENSOR VG-640
5	1000014297	SOLENOID,TDS-08A DC-24V TYPE2
5	1000018523	SOLENOID,TDS-08A DC-24V TYPE2
6	1000015448	FRAME,WIPER SG-540
7	1000014448	STAY,ADJUSTER WIPE R VG-640
8	1000014449	STAY,ADJUSTER WIPE F VG-640
9	1000016841	FRAME,BASE WIPER SG-540_01
10	1000014464	PAD,CLEANER D VG-640
10	1000020059	PAD,CLEANER D VG-640TH
11	1000015455	BASE,CL VALVE SG-540
12	1000014466	TRAY,LIQUID WIPER VG-640
12	1000019760	TRAY,LIQUID WIPER CG2076
13	1000015449	STAY,WIPER SENSOR SG-540
14	1000015451	HOLDER,WIPER MOTOR SG-540
15	1000015186	SPRING,PINCH 930 FJ-540
16	1000005794	BELT,146P2M4-530
17	22565406	DRIVE PULLEY
18	1000018516	MOTOR,103-593-1041
18	22435106	MOTOR,103-593-1041
19	1000000796	BUSH,80F-0503
19	1000018501	BUSH,80F-0503
20	1000011069	SENSOR-INTERRUPTER,OJ-535S-A5
21	1000012701	VALVE,CHOKE XF-640
21	1000019097	VALVE,CHOKE CG2057
101	31019702AS	SCREW SET,BIND P-TIGHT M3*6 3C 100P
102	31089121AS	SCREW SET,PAN M2.3*8 NI+PW 100PCS
103	31149703AS	RING SET,E-RING ETW-4 100 PCS.
104	31149704AS	RING SET,E-RING ETW-6 SUS 100 PCS
105	31179106	SCREW,JACK UP SP-540V
106	31289102AS	CUPSCREW SET,M3*6 NI 50 PCS.
107	31289109AS	CUPSCREW SET,M3*4 NI 100 PCS
108	31289111AS	CUPSCREW SET, M4*6 NI 100 PCS.
109	31409702	SADDLE SET,LOCKING WIRE LES-1010 20P



Pos	Code	Description
1	1000018824	CABLE-ASSY,JUNBI A SJ-1000 T
1	23415212	CABLE-ASSY,JUNBI A SJ-1000
2	1000018825	CABLE-ASSY,JUNBI B SJ-1000 T
2	23415213	CABLE-ASSY,JUNBI B SJ-1000
3	1000018826	CABLE-ASSY,JUNBI G SJ-1000 T
3	23415257	CABLE-ASSY,JUNBI G SJ-1000
4	1000017389	CABLE-ASSY,POWER AC-HCB CG2032
5	1000017400	CABLE-HARNESS,POWER AC CG2032
7	1000017401	CABLE-HARNESS,POWER DC CG2032
9	1000017390	CABLE-ASSY,SERVO UART CG2032
10	1000017391	CABLE-ASSY,F-SENS SERIAL CG2032
11	1000017392	CABLE-ASSY,PANEL CG2032
12	1000017393	CABLE-ASSY,SCAN MOTOR 1 CG2032
13	1000017402	CABLE-HARNESS,SENSORS CG2032
20	1000017403	CABLE-HARNESS,CAN JUNC CG2032
22	1000017404	CABLE-HARNESS,SERVO CL VALVE CG2032
25	1000017394	CABLE-ASSY,P-W-F MTR JUNC CG2032
26	1000017395	CABLE-ASSY,HEATER CTL CG2032
27	1000017396	CABLE-ASSY,HEATER JUNC CG2032
28	1000017397	CABLE-ASSY,HEATER CG2032
29	1000015608	CABLE-ASSY,THERMOSTAT SG-540
30	1000017237	CABLE-ASSY,THERMISTOR EJ-640 TH
31	1000017398	CABLE-ASSY,P-W-F MTR CG2032
32	1000014557	CABLE-ASSY,CARTRIDGE UNIT VG-640
32	1000018849	CABLE-ASSY,CARTRIDGE UNIT VG-640 T
33	1000017405	CABLE-HARNESS,CROP PINCH CG2032
35	1000017399	CABLE-ASSY,COVER SW CG2032
36	1000017406	CABLE-HARNESS,CAN CG2032
38	1000017407	CABLE-HARNESS,PRESS PUMP CG2032
46	1000014558	CABLE-ASSY,MAINTENANCE LED VG-640
46	1000018850	CABLE-ASSY,MAINTENANCE LED VG-640 T
47	1000017408	CABLE-HARNESS,LED CG2032
50	1000014560	CABLE-ASSY,INSIDE LED 1 VG-640
50	1000018851	CABLE-ASSY,INSIDE LED 1 VG-640 T
51	1000014561	CABLE-ASSY,INSIDE LED 2 VG-640
51	1000018852	CABLE-ASSY,INSIDE LED 2 VG-640 T
52	1000017409	CABLE-HARNESS,CIR SOL CG2032
54	1000017410	CABLE-HARNESS,INK MODULE 0 CG2032
57	1000017411	CABLE-HARNESS,INK MODULE 1 CG2032
60	1000017414	CABLE-HARNESS,SIGNAL R-COVER CG2032

Pos	Code	Description
62	1000017413	CABLE-HARNESS,P-P-R CAN CG2032
64	1000017412	CABLE-HARNESS,FILLER TH CG2032
66	1000017415	CABLE-HARNESS,FILLER H-UD CG2032
68	1000015609	4CABLE-ASSY,L-ENCODER SG-540
69	1000015569	CABLE-CARD,22P1 75L BB HIGH-V
70	1000017416	CABLE-CARD,40P1 3150L BB HIGH-V
70	1000020655	CABLE-CARD,40P1-3150L-100T
71	1000017417	CABLE-CARD,15P1 2800L BB HIGH-V
72	1000006283	FILTRE,TFT-081610N
73	1000015782	CABLE,GST-250-R2M3

