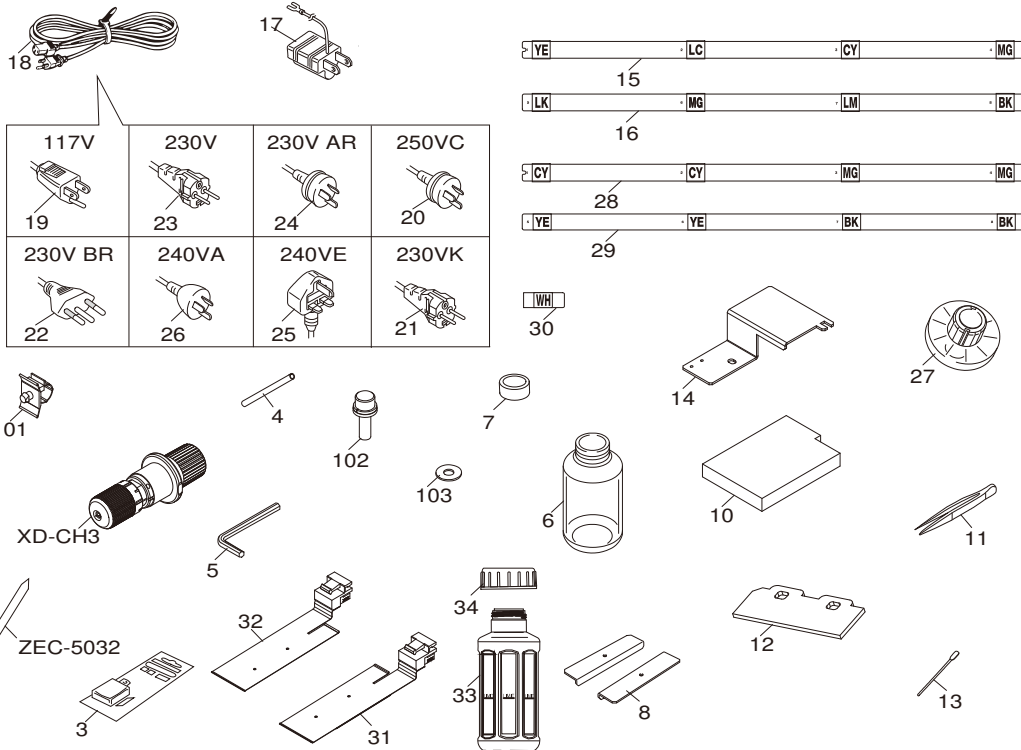
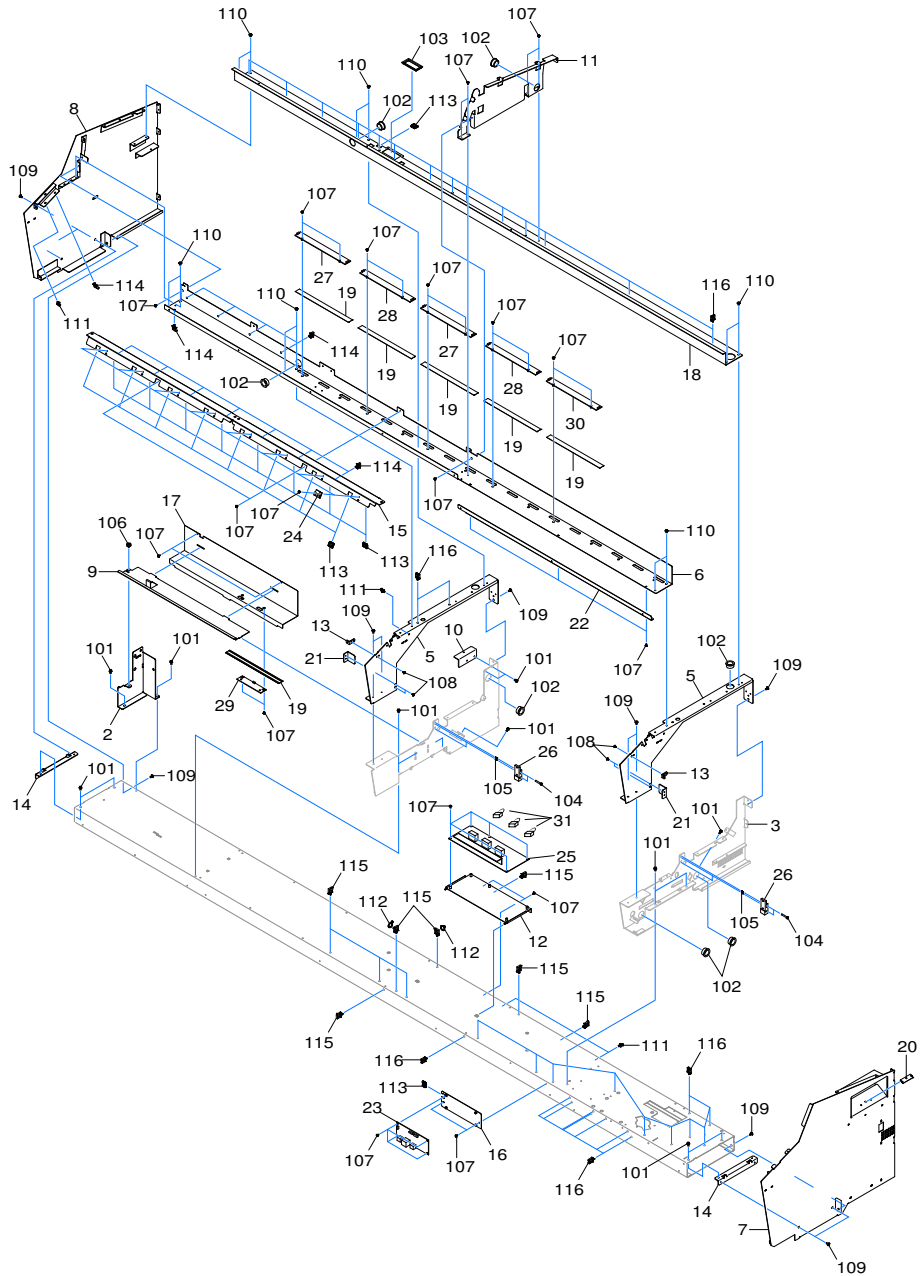


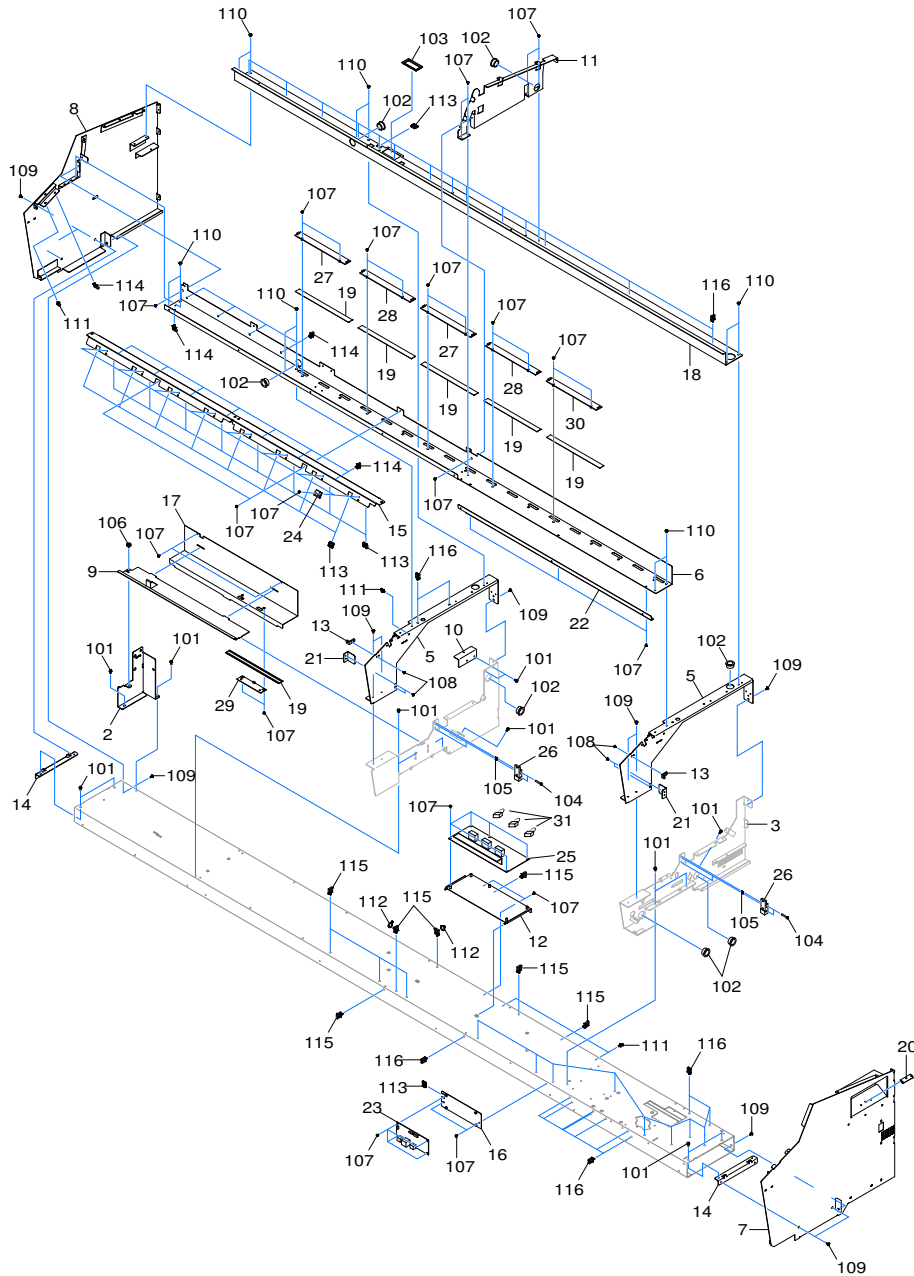
Pos	Code	Description
1	1000017519	PAD,FEEDER SV SG-540
2	1000015145	PAD,STAND VG-640
2	1000015714	PAD,STAND SG-540
2	1000017510	PAD,STAND SV SG-540
3	1000015146	CARTON,STAND VG-640
3	1000015715	CARTON,STAND SG-540
3	1000017511	CARTON,STAND SV SG-540
4	1000014611	PAD,PIPE FEEDER SHAFT EJ-640
4	1000015711	PAD,PIPE FEEDER SHAFT SG-540
4	1000017508	PAD,PIPE FEEDER SHAFT SV SG-540
5	1000015716	CARTON,SLEEVE SG-540
5	1000017512	CARTON,SLEEVE SV SG-540
6	21545178	PAD,RAIL SPACER SP-300
7	1000017520	CARTON,SPACER SV SG-540
8	1000015724	PAD,L-LEFT SG-540
8	1000017515	PAD,L-LEFT SV SG-540
9	1000015725	PAD,L-RIGHT SG-540
9	1000017516	PAD,L-RIGHT SV SG-540
10	1000017521	PAD,CENTER SV SG-540
11	1000015718	CARTON,COVER SG-540
11	1000017513	CARTON,COVER SV SG-540
12	1000015723	TRAY,SKID SG-540
12	1000019080	TRAY,SKID SV SG-540_01
13	1000015150	PAD,U-LEFT VG-640
13	1000015719	PAD,U-LEFT SG-540
13	1000017514	PAD,U-LEFT SV SG-540
14	1000015151	PAD,U-RIGHT VG-640
14	1000015730	PAD,U-RIGHT SG-540
14	1000017518	PAD,U-RIGHT SV SG-540
15	1000017522	PAD,VKIT SV SG-540
16	1000015712	PAD,SUPPORT FEEDER SHAFT SG-540
16	1000017509	PAD,SUPPORT FEEDER SHAFT SV SG-540
17	1000017523	PAD,ACCESSORY SV SG-540
18	1000016741	LABEL,CARTON CARE#LA2567
19	1000014622	PAD,SUPPORT EJ-640



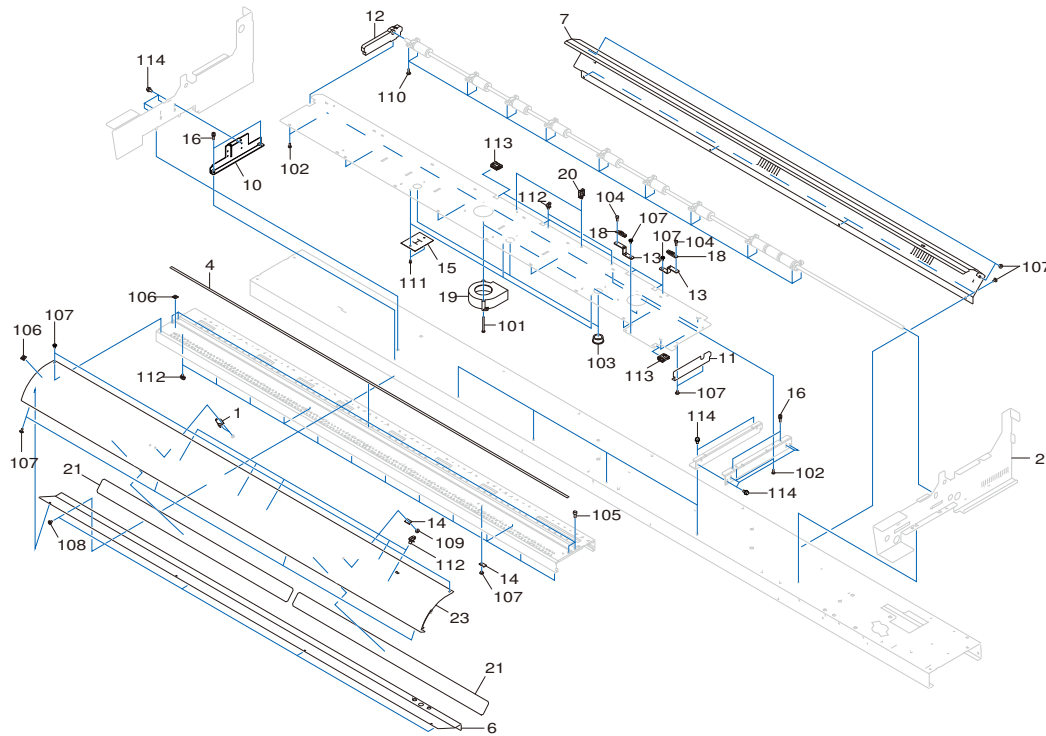
Pos	Code	Description
3	11849102	BLADE,OLFA AUTO CUTTER XB10
4	22155133	PIPE,TOOL D9*L150 FJ-540
5	22565682	HEXAGONAL WRENCH 5
6	11369115	CASE,PP BOTTLE
7	22335143	CAP,EPDM
8	100003635	STOPPER,PIPE FEEDER XJ-740
10	1000014464	PAD,CLEANER D VG-640
10	1000020059	PAD,CLEANER D VG-640TH
11	12569656	TWEEZERS PTS-01
12	1000014754	WIPER,HEAD VG-640
13	1000003138	SET,CLEANER STICK TX712A 10PCS.
13	1000007172	CLEANER SET,STICK TX712A 100PCS
13	ST-037	CLEAN STICK TX712A
14	1000014486	STOPPER,CARRIAGE VG-640
15	1000014823	LABEL,SET INK 1 VG-640#LA2167
16	1000014824	LABEL,SET INK 2 VG-640#LA2168
17	13499209	ADAPTER PLUG (100V)
18	1000005832	CABLE-AC,100V 15A 2.5M 3P
19	1000005833	CABLE-AC,117V 15A 2.5M 3P
20	13439801	CABLE-AC 3P CHINA 10A250V S
21	1000010999	CABLE-AC, H05VV 230V 10A KC
22	1000006571	CABLE-AC,3P 117/230V BR 2.5M
23	23495125	AC-CORD H05VV 230V 10A S
24	1000006097	CABLE-AC,3P 230VAR 2.5M TW
25	13499111	AC CORD H05VV-F 240VE 10A S
26	23495124	AC CORD 3ASL100 240VA 10A SAA
27	21995106	FLANGE,GUIDE 2 PNS-70
28	1000015693	LABEL,SET INK 4C1 VG-640#LA2343
29	1000015694	LABEL,SET INK 4C2 VG-640#LA2344
30	1000015801	LABEL, INK WH VG-640#LA2379
30	1000018951	LABEL, INK WH VG-640#LA3242
31	6000002568	ASSY,MEDIA CLAMP R VG-640
32	6000002569	ASSY,MEDIA CLAMP L VG-640
33	1000019429	CASE,DRAIN BOTTLE 1.0L
34	1000019580	CAP,PP BOTTLE 5-002-04
101	31379111	CLAMP,CABLE CKS-13-H
102	31049157	SCREW,CAP M6*20 3CBC+PW+SW
103	31249220AS	WASHER SET,PLAIN 6.5*16*1 NI 100PCS



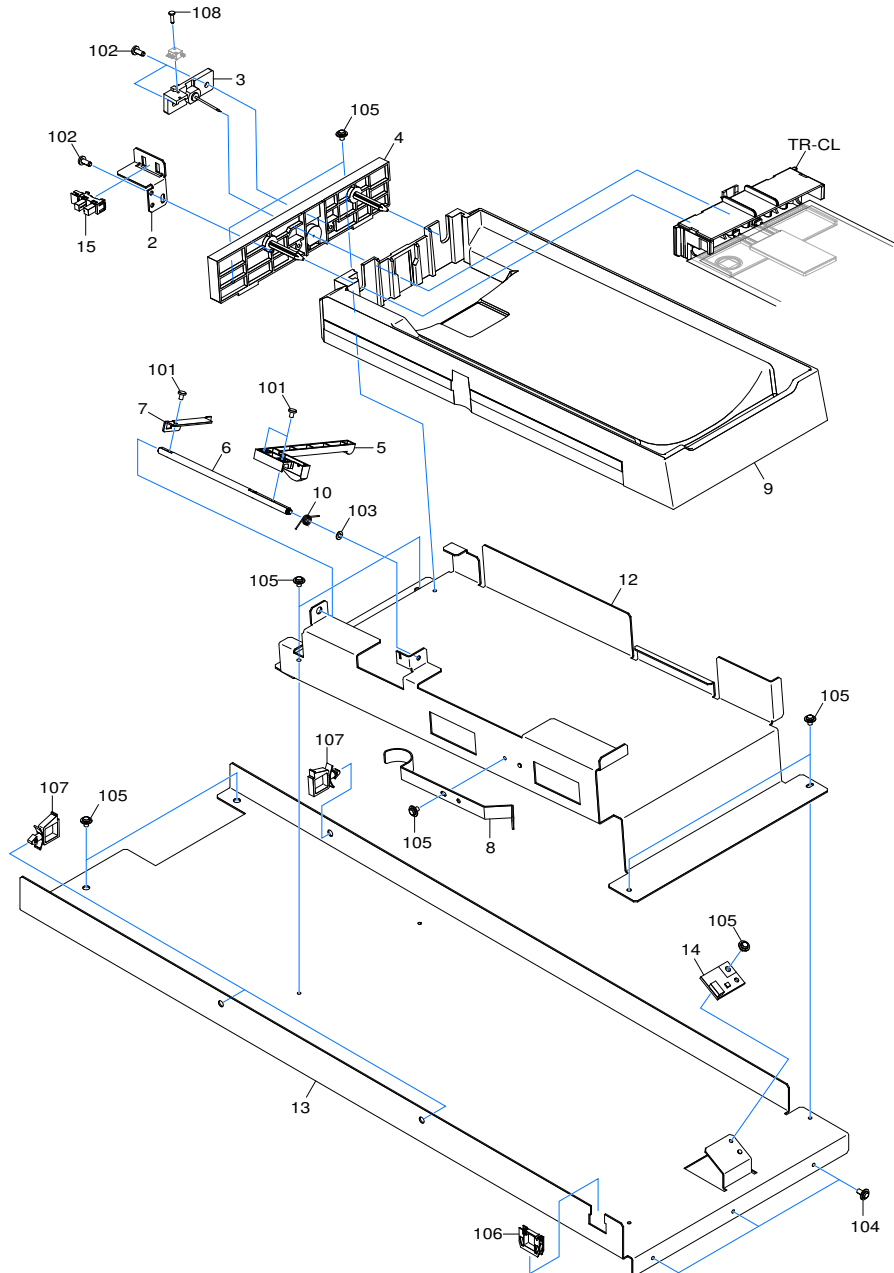
Pos	Code	Description
2	1000015311	STAY,SUPPORT RAIL L SG-540
3	1000017493	FRAME,MIDDLE R VG-640TH_01
5	1000016187	SUPPORT,FRAME VG-640TH
6	1000015628	SUPPORT,COVER VG-540
6	1000017219	SUPPORT,COVER VG-540 TH
7	1000016188	FRAME,SIDE R VG-640TH
8	1000016189	FRAME,SIDE L VG-640TH
9	1000015314	FRAME,AUTOCUTTER SG-540
10	1000014373	SUPPORT,CHOKE VG-640
11	1000015315	COVER,SIDE INK SYSYTEM SG-540
12	1000014383	STAY,HEATER CONTROL BOARD VG-640
12	1000017231	STAY,HEATER CONTROL BOARD VG-640 TH
13	1000015316	STAY,COVER ARM SG-540
14	1000015317	STAY,FRAME SG-540
15	1000014588	STAY,INK LED VG-640
15	1000017229	STAY,INK LED VG-640 TH
16	1000014400	STAY,EXT PORT VG-640
17	1000015319	STAY,MAINTENANCE LED SG-540
18	1000015630	PLATE,INK CARTRIDGE VG-540
18	1000017225	PLATE,INK CARTRIDGE VG-540 TH
19	1000014596	SHEET,BED LED VG-640
20	1000014825	LABEL,CL VG-640#LA2170
21	1000014828	STOPPER,COVER FRONT VG-640
22	1000015629	STAY,SUPPORT COVER S VG-540
23	6703496050	ASSY,EXT IF BOARD VG-640
24	6703496080	ASSY,CARTRIDGE LED BOARD VG-640
25	6000004107	ASSY,HEATER CONTROL BOARD EJ-640_01
25	6703524010	ASSY,HEATER CONTROL BOARD EJ-640
26	1000002589	BASE,RAIL VP-540
27	W704021010	ASSY,RGB LED_LO-01 VG-540
28	W704021020	ASSY,RGB LED_HI VG-540
29	W704021030	ASSY,MAINTENANCE LIGHT VG-540
29	W704621010	ASSY,MAINTENANCE LIGHT CG2032
30	W704021040	ASSY,RGB LED_LO-02 VG-540
31	1000019610	CABLE-ASSY,JUMPER HEATER SV CG1094
101	3000000172	SCREW SET,CAP M4*8 NI WSH4*9*0.8 20P
102	31029101	BUSH,NB-19
103	31029106	BUSH,SQUARE SB-6025
104	3000000423	CAP-SCREW,4*25 3CBC 100PCS
104	31049137AS	SCREW SET,CAP M4*25 3CBC 20 PCS



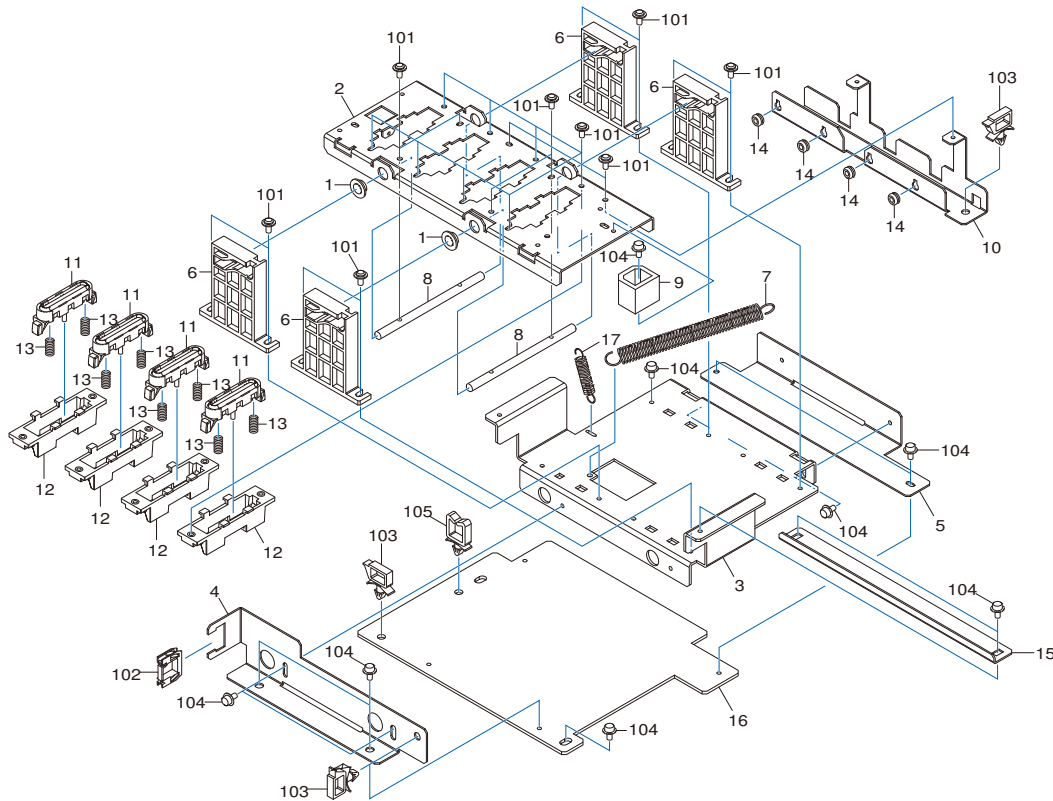
Pos	Code	Description
105	31119904	PIN,SPRING 2.5*8 SUS STRAIGHT 50 PCS
106	31139104	SCREW,PLAPOINT M4*6 BK FE
107	31289102AS	CUPSCREW SET,M3*6 NI 50 PCS.
108	31289105AS	CUPSCREW SET, M3*6 3CBC 100 PCS
109	31289110AS	CUPSCREW SET, M4*8 3CBC 100 PCS
110	31289111AS	CUPSCREW SET, M4*6 NI 100 PCS.
111	31329501AS	CLAMP SET,PUSH MOUNT RT30SSF5 20P
112	31329601AS	CLAMP SET,INSULOK T-18S 100 PCS.
113	31409702	SADDLE SET,LOCKING WIRE LES-1010 20P
114	3000000560	SADDLE,LOCKING WIRE LWS-0711Z_TH
114	31409801AS	SADDLE,LOCKING WIRE LWS-0711Z 20P
115	31409811AS	SADDLE SET,LOCKING WIRE LWS-1211Z 20P
116	3000000216	SADDLE,WIRE WS-2N-V0



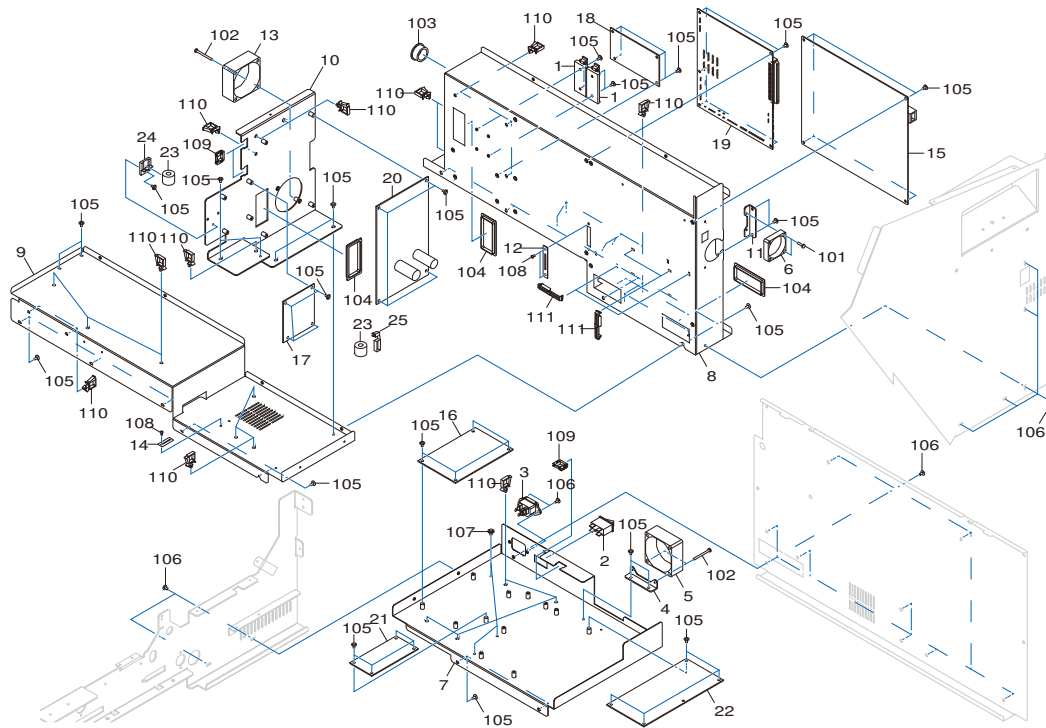
Pos	Code	Description
1	1000013820	SENSOR,03EN 9572 A65
2	1000017493	FRAME,MIDDLE R VG-640TH_01
4	1000015635	PAD,CUTTER VG-540
4	1000020748	PAD,CUTTER 2 VG-540
6	1000016208	APRON,F UNDER VG-540TH
7	1000015634	APRON,B VG-540
7	1000017502	APRON,B VG-540TH_01
10	1000010084	FRAME,SIDE BED XF-640
11	1000010085	SHUTTER,BED R XF-640
12	1000010086	SHUTTER,BED L XF-640
13	1000010087	STAY,PAPER SENSOR XF-640
13	1000020057	STAY,PAPER SENSOR XF-640TH
14	1000015534	ASSY,THERMISTOR BOARD SG-540
15	1000012964	SHUTTER,HEATER CORD SP-300
16	31179106	SCREW,JACK UP SP-540V
18	15099115	SENSOR-INTERRUPTER GP2A25NJ
19	1000009934	FAN,9BAM24P2H06PJ
19	1000018515	FAN,9BAM24P2H06PJ
20	3000000216	SADDLE,WIRE WS-2N-V0
21	21625103	SHUTTER,HEATER CORD SP-300
23	1000015343	ASSY,APRON F SG-540
101	31019124	SCREW SET,BINDING M3*35 NI 50 PCS
102	31019703	SCREW,BINDING P-TIGHT M3*8 3C 100P
103	31029101	BUSH,NB-19
104	31049170AS	SCREW SET,CAP M3*8 NI 50 PCS.
105	31049173AS	SCREW SET,CAP M4*10 NI 50 PCS.
106	31279106	LABEL,CAUTION HOT SURF NO.778
107	31289102AS	CUPSCREW SET,M3*6 NI 50 PCS.
108	31289105AS	CUPSCREW SET, M3*6 3CBC 100 PCS
109	31289109AS	CUPSCREW SET,M3*4 NI 100 PCS
110	31289112AS	CUPSCREW SET,M3*10 NI 100 PCS.
111	31299102AS	RIVET SET,NYLON P2655B 20 PCS.
112	31329501AS	CLAMP SET,PUSH MOUNT RT30SSF5 20P
113	31409702	SADDLE SET,LOCKING WIRE LES-1010 20P
114	3000000172	SCREW SET,CAP M4*8 NI WSH4*9*0.8 20P



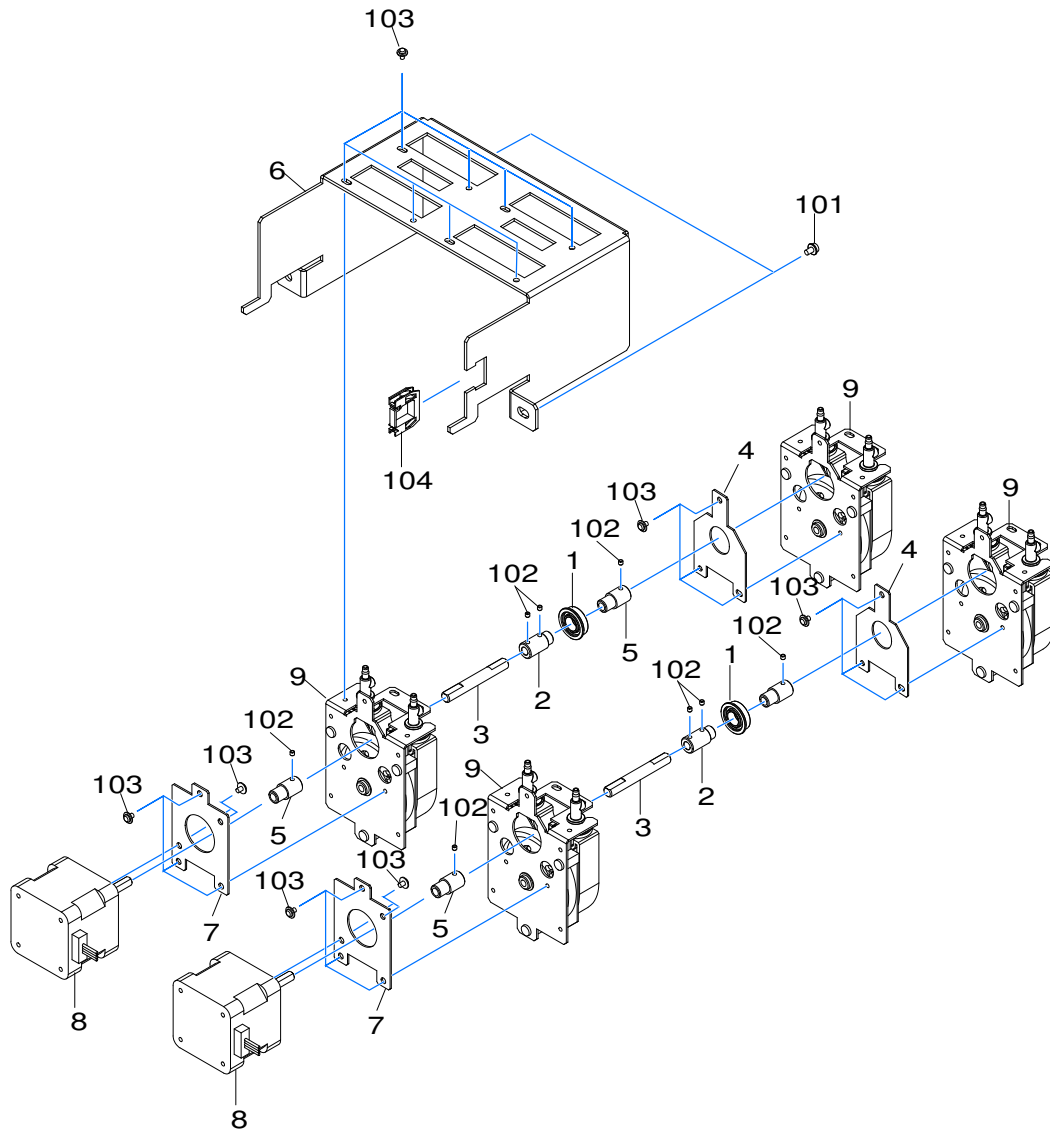
Pos	Code	Description
2	1000015444	STAY,INK EMPTY SENS SG-540
3	6000002739	ASSY,I/C NEEDLE HOLDER VG-640
4	1000014581	BASE, HOLDER NEEDLE VG-640
5	1000014582	LEVER,INK EMPTY VG-640
6	1000015442	SHAFT,INK EMPTY SG-540
7	1000015443	BLADE,INK EMPTY SG-540
8	1000014585	SPRING,PLATE I/C VG-640
9	1000014586	TRAY, INK POUCHES VG-640
10	1000014587	SPRING,LEVER INK EMPTY VG-640
12	1000015433	FRAME,HOLDER C/C SG-540
13	1000015432	BASE,CL CARTRIDGE SG-540
14	6703496080	ASSY,CARTRIDGE LED BOARD VG-640
15	1000011069	SENSOR-INTERRUPTER,OJ-535S-A5
101	31019148AS	SCREW SET,BINDING M2.6*4 NI 100 PCS
102	31019703	SCREW,BINDING P-TIGHT M3*8 3C 100P
103	31249952	WASHER SET,POLYSLIDER 2.6*5*.5 CUT 20PCS
104	31289105AS	CUPSCREW SET, M3*6 3CBC 100 PCS
105	31289109AS	CUPSCREW SET,M3*4 NI 100 PCS
106	31409702	SADDLE SET,LOCKING WIRE LES-1010 20P
107	31409811AS	SADDLE SET,LOCKING WIRE LWS-1211Z 20P
108	3000000412	BIND,P-TIGHT 2*8 3C 20PCS.



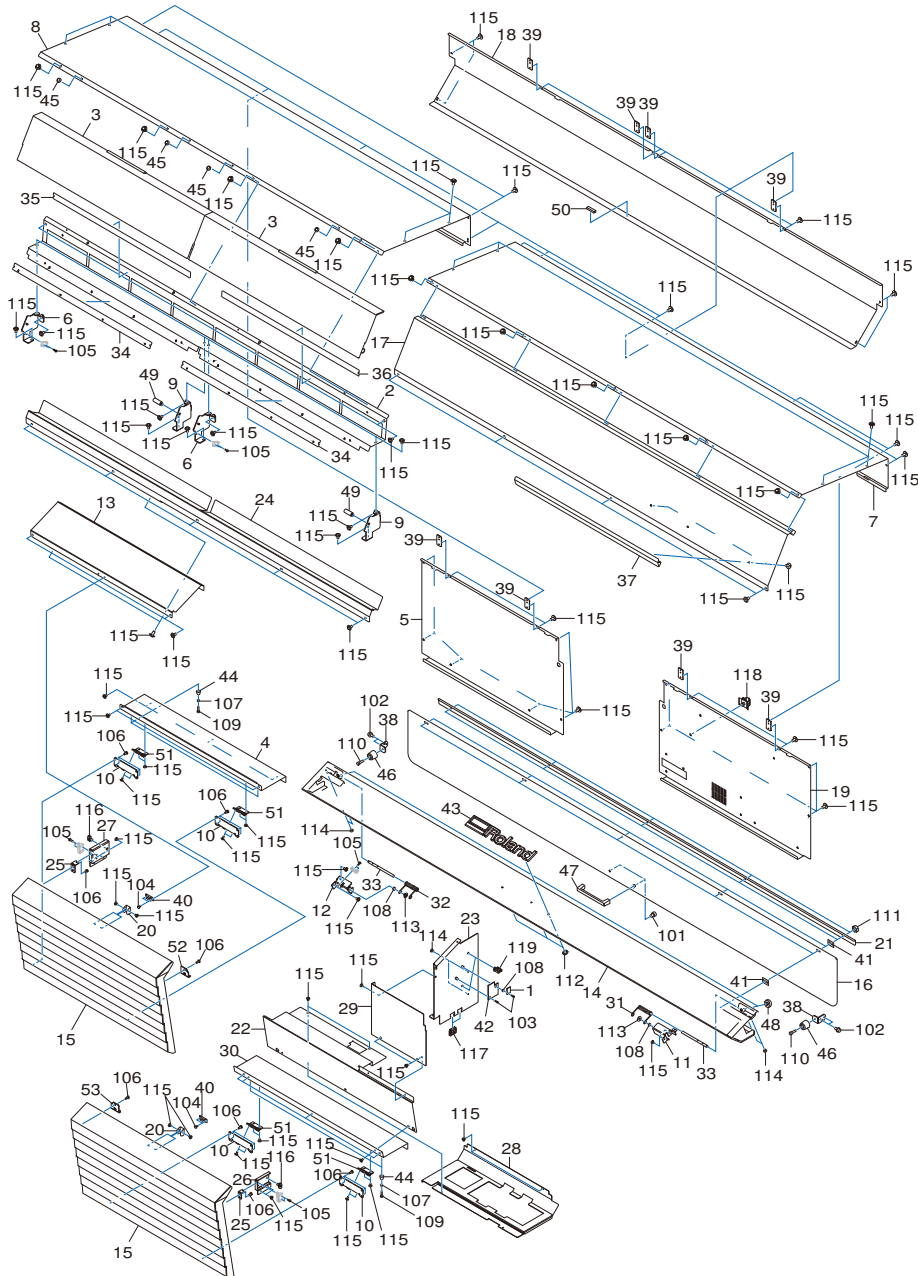
Pos	Code	Description
1	1000018512	BUSH,80F-0603
1	12159573	BUSH,80F-0603
2	1000015458	FRAME,BACKUP CAP SG-540
3	1000015460	FRAME,BASE CAP SG-540
4	1000015461	STAY,ADJUSTER F CAP SG-540
5	1000015462	STAY,ADJUSTER R CAP SG-540
6	1000014455	GUIDE,SLIDE CAP VG-640
7	1000015456	SPRING,CAP SLIDE SG-540
8	1000015457	SHAFT,CAP LIFT SG-540
9	1000014468	STOPPER,ARM CAP VG-640
10	1000015459	STAY,TUBE CAP SG-540
11	6000002332	ASSY,CAP TOP VG-640
11	6000004658	ASSY,CAP TOP SV CG2076
12	1000014760	HOLDER,CAP VG-640
13	1000014763	SPRING,CAP TOP K VG-640
13	1000015463	SPRING,CAP TOP K SG-540
14	1000015091	GROMET,RUBBER KG-74
14	1000020074	GROMET,RUBBER KG-74TH
15	1000015125	SUPPORT,GUIDE SLIDE CAP VG-640
15	1000020080	SUPPORT,GUIDE SLIDE CAP VG-640TH
16	1000015126	PLATE,CAP UNDER VG-640
16	1000020068	PLATE,CAP UNDER VG-640TH
17	1000006825	SPRING,CAP SWING VS-640
17	1000015183	SPRING,CAP SWING VS-640
101	31289102AS	CUPSCREW SET,M3*6 NI 50 PCS.
102	31409702	SADDLE SET,LOCKING WIRE LES-1010 20P
103	3000000560	SADDLE,LOCKING WIRE LWS-0711Z_TH
103	31409801AS	SADDLE,LOCKING WIRE LWS-0711Z 20P
104	31049154AS	SCREW SET,CAP M3*6 NI+PW 20 PCS
105	3000000216	SADDLE,WIRE WS-2N-V0



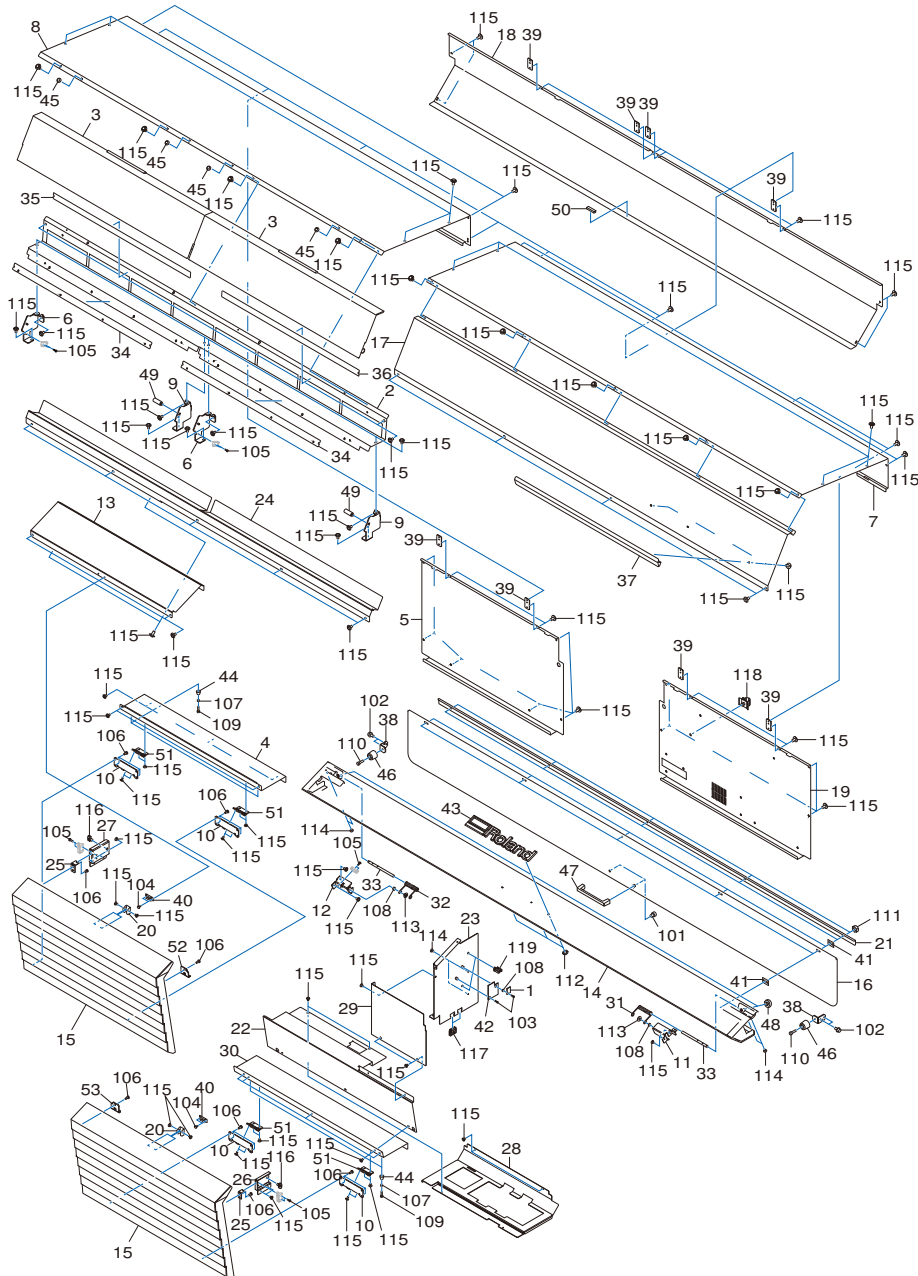
Pos	Code	Description
1	11769118	CLAMP,FCM2-S6-14
2	1000018525	SW,POWER AJ8201BF
3	13429702	INLET AC P01CF01 15A250V
4	22715327	STAY,CHASSIS FAN FJ-540
5	1000006174	FAN,9A0624H414
6	1000008025	FAN,109P0405M911
7	1000014376	BASE,CHASSIS POWER VG-640
8	1000014375	BASE,CHASSIS BOARD VG-640
9	1000015426	STAY,CHASSIS COVER SG-540
10	1000014385	STAY,SERVO BOARD VG-640
11	1000015427	STAY,FAN 45 SG-540
12	1000014491	PLATE,CABLE SLIT 30 VG-640
13	1000014508	FAN,9A0624H422_620
14	1000015428	PLATE,CABLE SLIT SG-540
15	6000002144	ASSY,MAIN BOARD VG-640
16	W703496310	ASSY,AC JUNCTION VG-640
17	W703496320	ASSY,INTERLOCK RELAY VG-640
18	W703496410	ASSY,DC JUNCTION VG-640
19	6000002183	ASSY,HEAD BOARD VG-640
20	1000016153	ASSY,FM3 SERVO BOARD VG-540 T
20	6000002193	ASSY,FM3 SERVO BOARD VG-640_01
21	1000010042	POWER UNIT,ZWS30B-5
22	1000014605	POWER UNIT,ZWS240BP-36/R(37)
23	1000015156	FILTER(E),FR4-12-1.3
24	1000015161	CLAMP,TFB-2024M3
25	1000015155	CLAMP,FBS-1T
101	31019119	SCREW SET,BINDING M3*12 NI 100PCS.
102	31019124	SCREW SET,BINDING M3*35 NI 50 PCS
103	31029101	BUSH,NB-19
104	31029106	BUSH,SQUARE SB-6025
105	31289102AS	CUPSCREW SET,M3*6 NI 50 PCS.
106	31289105AS	CUPSCREW SET, M3*6 3CBC 100 PCS
107	31289111AS	CUPSCREW SET, M4*6 NI 100 PCS.
108	31299102AS	RIVET SET,NYLON P2655B 20 PCS.
109	31409702	SADDLE SET,LOCKING WIRE LES-1010 20P
110	31409811AS	SADDLE SET,LOCKING WIRE LWS-1211Z 20P
111	3000000033	CLAMP,WIRE PLESS RFC-45VO



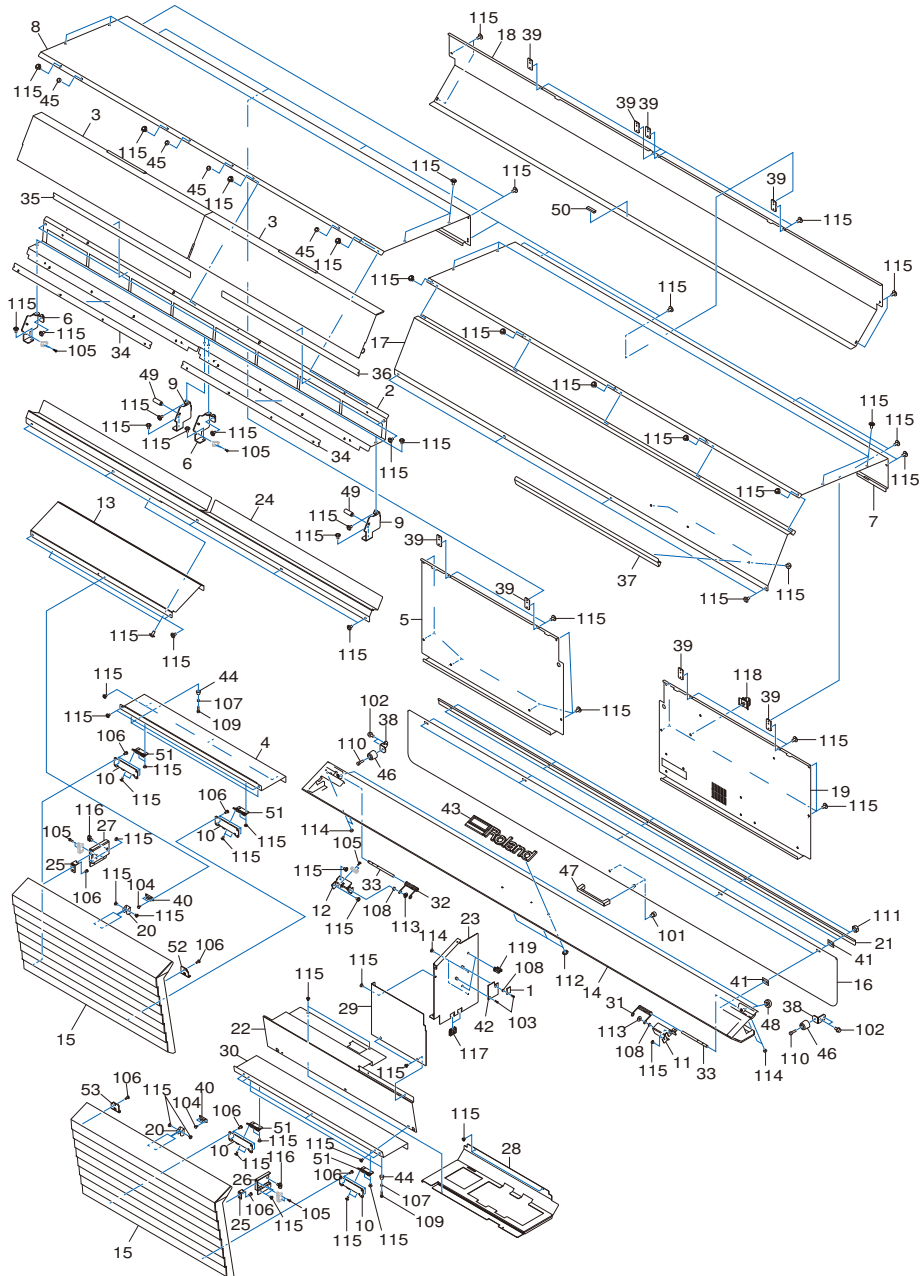
Pos	Code	Description
1	22175815	BEARING F8-16ZZ
2	1000002564	COUPLING,PUMP VP-540
3	1000002563	SHAFT,PUMP VP-540
4	1000002595	PLATE,P-BEARING VP-540
5	1000012988	GEAR,S10B20
6	1000015464	STAY,PUMP SG-540
7	1000001585	PLATE,P-MOTOR XC-540
7	1000020054	PLATE,P-MOTOR XC-540TH
8	1000007733	MOTOR,XS-5208-064
8	1000018514	MOTOR,103-5208-85542
9	6701219010	ASSY,CIRCULATING PUMP LEC-330
101	31069104	SCREW,CAP M4*6+FL NI
102	31199701AS	SCREW SET,SET WP M3*3 NI 20 PCS
103	31289109AS	CUPSCREW SET,M3*4 NI 100 PCS
104	31409702	SADDLE SET,LOCKING WIRE LES-1010 20P



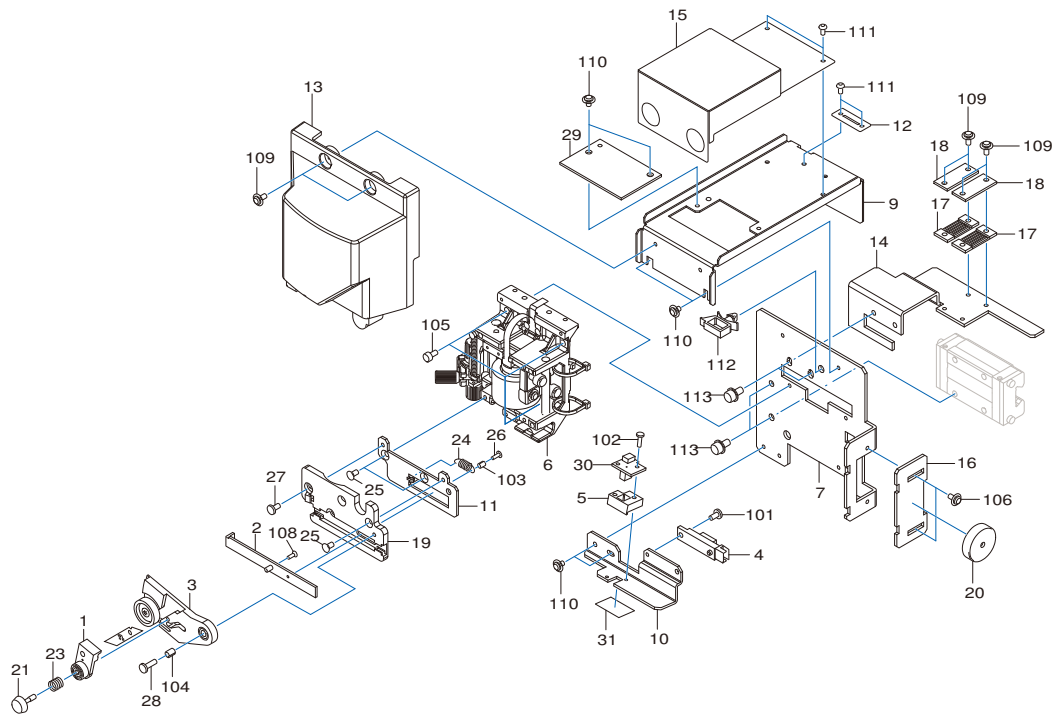
Pos	Code	Description
1	1000014067	BLE-MODULE,LBCA2ZZVZE-722
2	1000016168	COVER,INK PANEL VG-640_01
3	1000014364	COVER,INK CARTRIDGE VG-640
4	1000016191	COVER,UNDER L VG-640TH
5	1000016192	COVER,BACK L VG-640TH
6	1000015404	HINGE,COVER INK L SG-540
7	1000015637	COVER,TOP R VG-540
7	1000016203	COVER,TOP R VG-540TH
8	1000016193	COVER,TOP L VG-640TH
9	1000015405	HINGE,COVER INK R SG-540
10	1000015406	STAY,COVER SG-540
11	1000016195	STAY,COVER INT R VG-640TH
12	1000016196	STAY,COVER INT L VG-640TH
12	1000019414	STAY,COVER INT L 2 VG-640TH
13	1000014405	PLATE,COVER VG-640
13	1000015407	PLATE,COVER SG-540
14	1000015640	COVER,FRONT VG-540
14	1000016206	COVER,FRONT VG-540TH
15	1000014407	COVER,SIDE VG-640
16	1000017154	PLATE,FRONT COVER VG-540_01
17	1000016202	PLATE,COVER F VG-540TH
18	1000015638	COVER,RAIL VG-540
18	1000016204	COVER,RAIL VG-540_01
19	1000014411	COVER,CHASSIS VG-640
19	1000016197	COVER,CHASSIS VG-640TH
20	1000015409	STAY,COVER CATCH SG-540
20	1000019406	STAY,COVER CATCH 2 SG-540
21	1000015642	STAY,COVER FRONT VG-540
21	1000017235	STAY,COVER FRONT VG-540 TH
22	1000016198	COVER,MAINTENANCE F VG-640TH
23	1000015410	COVER,FEED MOTOR SG-540
24	1000016199	COVER,INK PANEL UNDER VG-640TH
25	1000015417	STAY,COVER M SW SG-540
26	1000015411	COVER,SW R SG-540
27	1000015412	COVER,SW L SG-540
28	1000016200	COVER,MAINTENANCE VG-640TH
29	1000015414	COVER,PANEL UNDER SG-540
29	1000019412	COVER,PANEL UNDER 2 SG-540
30	1000016201	COVER,UNDER R VG-640TH
31	1000014597	SPRING,COVER FR VG-640



Pos	Code	Description
32	1000014598	SPRING,COVER FL VG-640
33	1000014599	SHAFT,COVER FRONT VG-640
34	1000014822	LABEL,EMPTY LAMP VG-640#LA2169
35	1000014823	LABEL,SET INK 1 VG-640#LA2167
36	1000014824	LABEL,SET INK 2 VG-640#LA2168
37	1000015418	DOCK,TABLET PC SG-540
38	1000014891	STAY,F-COVER END VG-640
39	1000015130	STAY,COVER LINK VG-640
39	1000017561	STAY,COVER LINK CG2032
40	1000010122	MAGNET,CLAMP MEDIA XF-640
41	1000020064	WASHER,COVER FJ-50TH
41	21425110	WASHER,COVER FJ-50
42	6703496060	ASSY,BLE JUNCTION BOARD VG-640
43	1000010309	LABEL,EMBLEM LOGO ROLAND F-AR
44	11879107	ABSORBER TK-12
45	12239406	CUSHION,TM-96-6
46	12359113	ABSORBER TK-2320
47	1000014578	KNOB,A-165-4
48	1000015035	BEARING,DO-19-B0.5-4.5
49	1000014485	DAMPER,TD75 B1-1K
50	1000015160	GASKET,STGH 5-8 L=30MM
51	1000014368	HINGE,BP-151-1
51	1000018506	HINGE,BP-151-1
52	1000017830	STOPPER,COVER SIDE L VG-640
52	1000017889	STOPPER,COVER SIDE L VG-640TH
53	1000017829	STOPPER,COVER SIDE R VG-640
53	1000017888	STOPPER,COVER SIDE R VG-640TH
101	3000000500	BIND,5*8 NI
102	3000000172	SCREW SET,CAP M4*8 NI WSH4*9*0.8 20P
103	3000000431	NABE,2.5*8 NI 20PCS.
104	31019135AS	SCREW SET,BIND M3*6 NI 100 PCS.
105	31019149	SCREW SET,BINDING M2.3*8 3CBC 100PCS
106	31019703	SCREW,BINDING P-TIGHT M3*8 3C 100P
107	31029802AS	BUSH SET,ROLL 3*3.5 3C 100PCS.
108	31029820	BUSH SET,ROLL 3*2 3C 50PCS
109	31049171AS	SCREW SET,CAP M3*12 NI 50 PCS.
110	31049174AS	SCREW SET,CAP M4*15 NI 20 PCS.
111	31109801AS	NUT SET,HEXAGON M3 NI 100 PCS.
112	31149601	RING SET,PUSH-ON CS CSTW-3 100 PCS
113	31239103AS	SCREW SET,W-SEMS M3*8 NI+PW 50 PCS

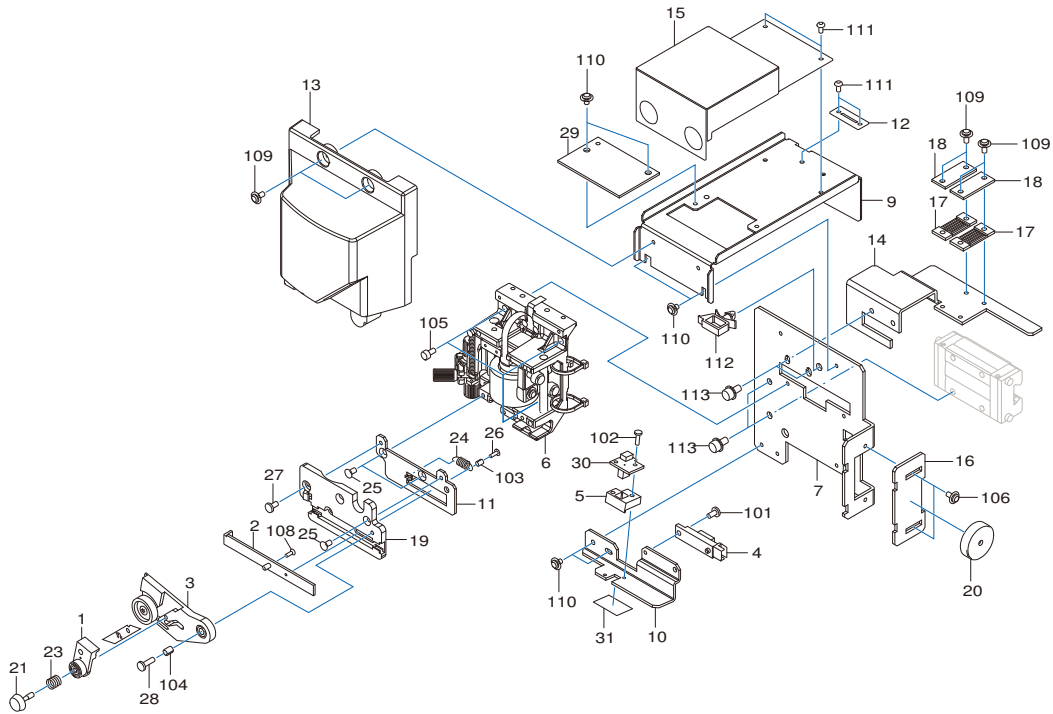


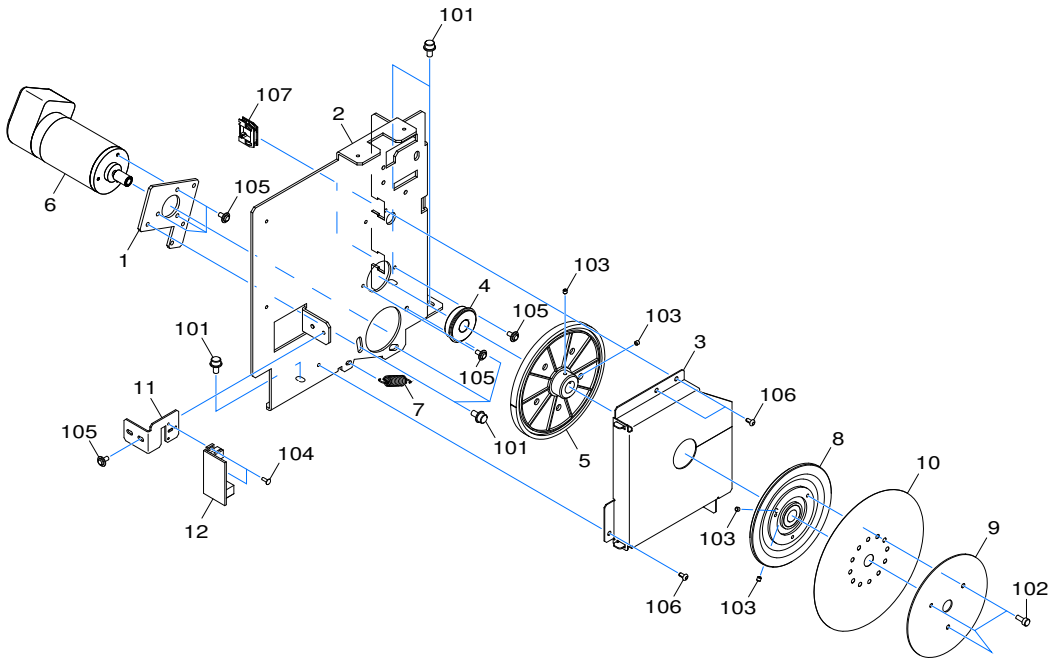
Pos	Code	Description
114	31289102AS	CUPSCREW SET,M3*6 NI 50 PCS.
115	31289105AS	CUPSCREW SET, M3*6 3CBC 100 PCS
116	31329501AS	CLAMP SET,PUSH MOUNT RT30SSF5 20P
117	31409702	SADDLE SET,LOCKING WIRE LES-1010 20P
118	31379111	CLAMP,CABLE CKS-13-H
119	300000216	SADDLE,WIRE WS-2N-V0



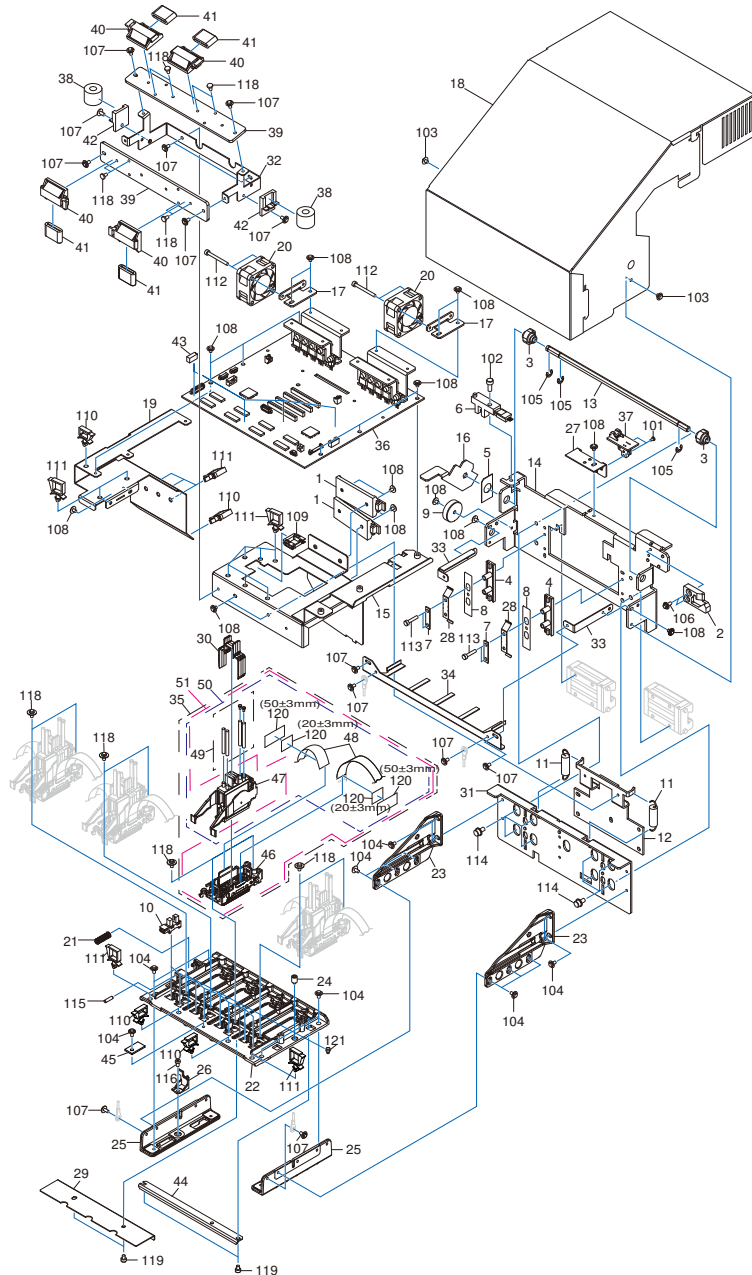
Pos	Code	Description
1	22805292	ASSY,CLAMP BLADE SV CM-500
2	22805287	ASSY,PLATE CAM SLIDE SV CM-500
3	22805291	ASSY,HOLDER BLADE SV CM-500
4	15099115	SENSOR-INTERRUPTER GP2A25NJ
5	1000012532	SPACER,CROP SENSOR GS-24
6	6000003920	ASSY,CUT TOOL T VG-640_02
6	6000004399	ASSY,CUT TOOL T VG-640_04
6	6703490530	ASSY,CUT TOOL T VG-640
7	1000015482	FRAME,CUT CARRIAGE SG-540
9	1000015483	STAY,CUT CARRIAGE BOARD SG-540
10	1000015487	STAY,PINCH SENSOR SG-540
11	1000015488	FRAME,CUTTER SG-540
12	1000015428	PLATE,CABLE SLIT SG-540
13	1000014433	COVER,CUT CARRIAGE VG-640
13	1000020806	COVER,CUT CARRIAGE CG2076
14	1000014593	STAY,HOLDER BELT VG-640
15	1000015484	COVER,CUT BOARD SG-540
16	1000015090	PLATE,ADJUSTER MAGNET VG-640
16	1000020032	PLATE,ADJUSTER MAGNET VG-640TH
17	1000015114	HOLDER,BELT EGX-600_01
17	21655232	HOLDER,BELT EGX-600
18	1000020055	COVER,BELT HOLDER EGX-600TH
18	22025646	COVER,BELT HOLDER EGX-600
19	22355656	BASE,CUTTER CM-500
20	1000011928	MAGNET,SMF-2144
21	21495115	SCREW,BLADE SET CM-500
23	1000012948	SPRING,SCREW CM-500
24	1000012947	SPRING,BLADE UP CM-500
25	31169103AS	SCREW SET,FLAT M3*6 3CBC 100 PCS
26	31229103AS	SCREW SET,TRUSS M2*6 NI 100 PCS
27	31019116AS	SCREW SET,BINDING M3*6 3CBC 100 PCS
28	31019118AS	SCREW SET,BINDING M3*10 3CBC 100PCS
29	W703496420	ASSY,CUT CARRIAGE VG-640
30	W703496440	ASSY,CROP SENSOR VG-640
31	1000016437	SHEET,FILTER CROP SG-540_01
101	31019116AS	SCREW SET,BINDING M3*6 3CBC 100 PCS
102	31019149	SCREW SET,BINDING M2.3*8 3CBC 100PCS
103	31029801AS	BUSH SET,ROLL 2*4 3C100PCS
104	31029803AS	BUSH SET,ROLL 3*5 3C 20PCS.
105	31049105AS	SCREW SET,CAP M3*6 3CBC 20 PCS

Pos	Code	Description
106	31089117	SCREW SET,PAN 3*6 NI+PW 100 PCS.
108	31169111	SCREW SET,FLAT M2*6 NI 100 PCS.
109	31289102AS	CUPSCREW SET,M3*6 NI 50 PCS.
110	31289109AS	CUPSCREW SET,M3*4 NI 100 PCS
111	31299102AS	RIVET SET,NYLON P2655B 20 PCS.
112	3000000560	SADDLE,LOCKING WIRE LWS-0711Z_TH
112	31409801AS	SADDLE,LOCKING WIRE LWS-0711Z 20P
113	3000000172	SCREW SET,CAP M4*8 NI WSH4*9*0.8 20P

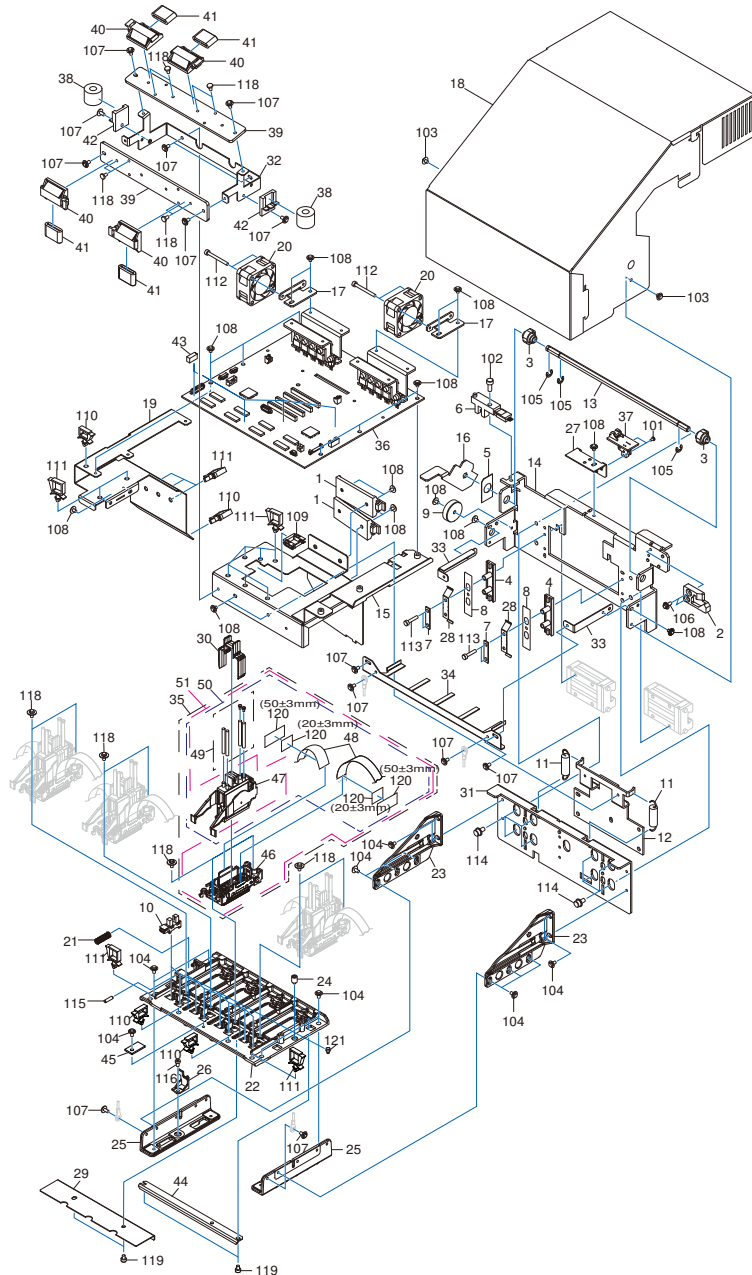




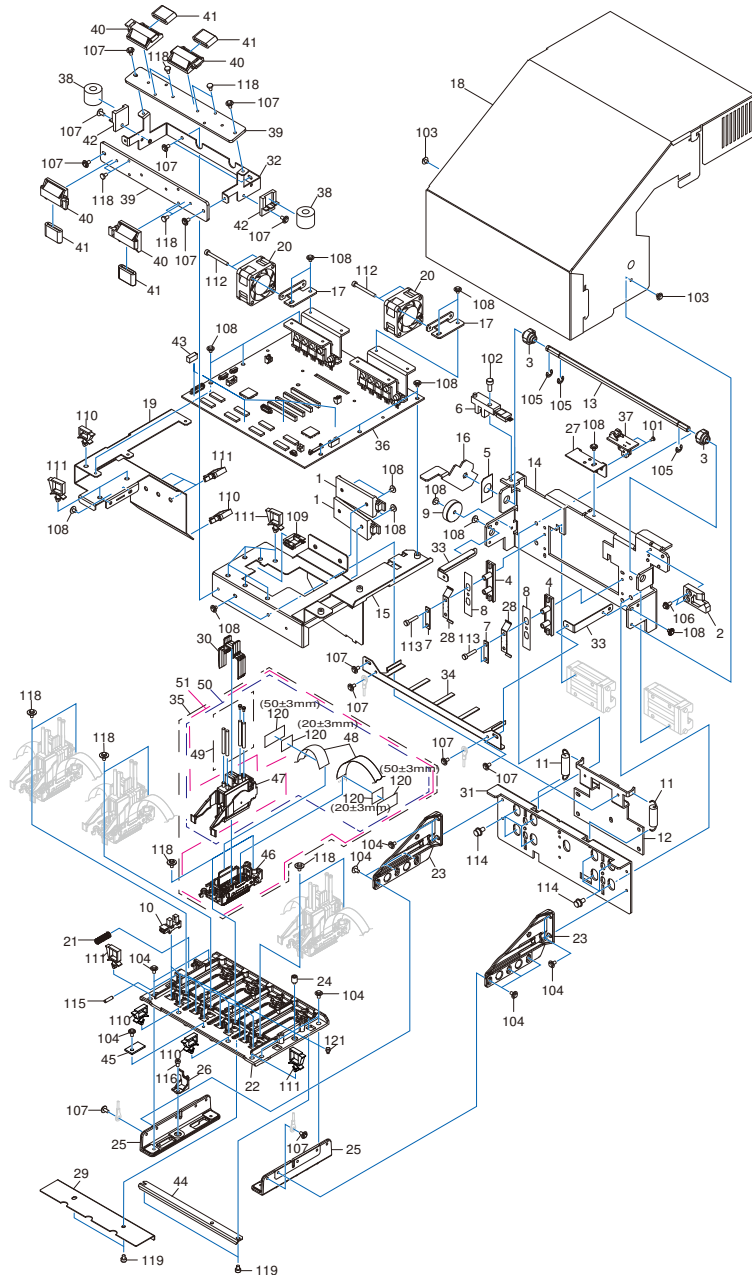
Pos	Code	Description
1	1000014906	FLANGE,MOTOR FEED VS-640I
2	1000017230	STAY,SUPPORT RAIL R VG-640 TH
3	1000014121	COVER,FEED GEAR RE-640
4	1000006709	R-BEARING,6000ZZNR*NS7S
5	21685128	GEAR H300 S10(B6C16POM)
6	6000002592	ASSY,FEED MOTOR VS-640_01
6	6000003427	ASSY,FEED MOTOR SV VG-640 T
6	6701409040	ASSY,FEED MOTOR VS-640
7	22175157	SPRING,C P-ROLLER CM-500
8	1000002593	FLANGE,GRIT-ENCORDER VP-540
9	1000015595	STOPPER,GRIT-ENCORDER VP-540
10	1000002162	SHEET,ROTARY DISK SLIT 360LPI
11	1000014904	STAY,G-ENCODER SENSOR VP-540
12	W703496430	ASSY,GRIT ENCODER VG-640
101	3000000172	SCREW SET,CAP M4*8 NI WSH4*9*0.8 20P
102	31049170AS	SCREW SET,CAP M3*8 NI 50 PCS.
103	31199701AS	SCREW SET,SET WP M3*3 NI 20 PCS
104	31229103AS	SCREW SET,TRUSS M2*6 NI 100 PCS
105	31289102AS	CUPSCREW SET,M3*6 NI 50 PCS.
106	31299102AS	RIVET SET,NYLON P2655B 20 PCS.
107	31409702	SADDLE SET,LOCKING WIRE LES-1010 20P



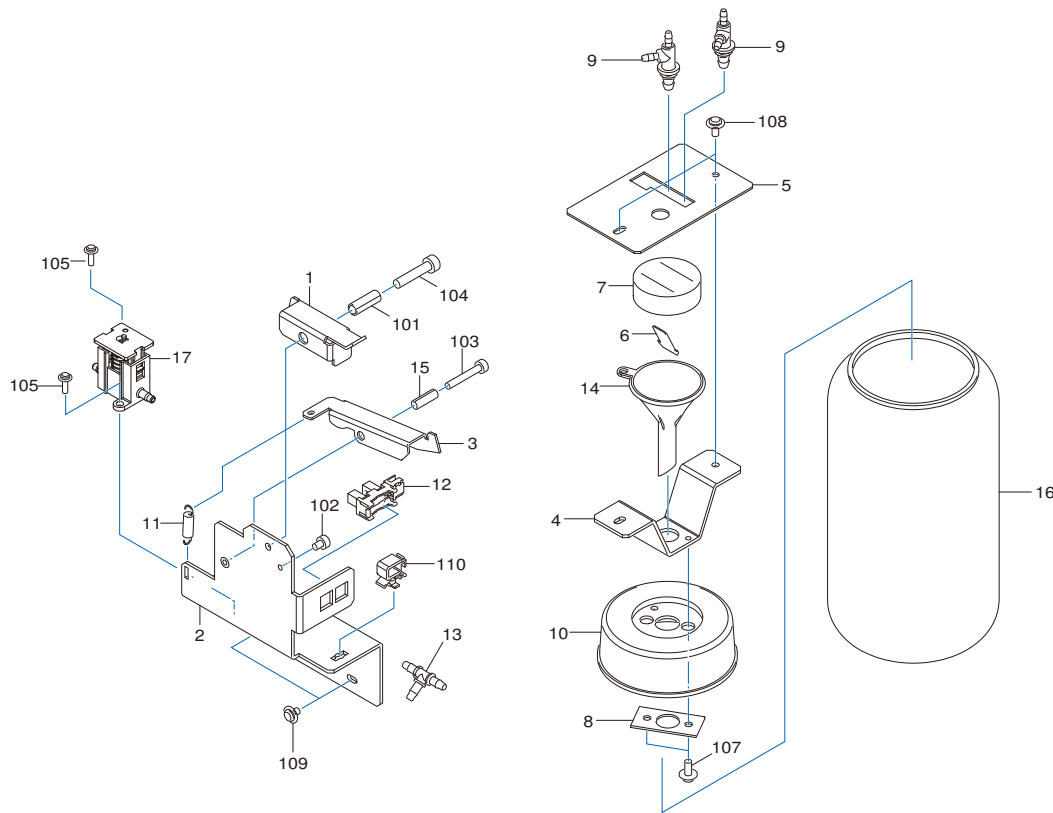
Pos	Code	Description
1	11769118	CLAMP,FCM2-S6-14
2	21345105	LOCK,CJ-500
3	1000015115	CAM,CARRIAGE FJ-540_02
4	1000015113	SLIDER,CARRIAGE FJ-540_02
5	1000014118	SPACER,U/D LEVER VP-540_01
6	1000006689	SENSOR-INTERRUPTER,EE-SX4009-P1
7	1000010186	SPACER,CARRIAGE SLIDE XF-640
7	1000020066	SPACER,CARRIAGE SLIDE XF-640TH
8	1000007644	PLATE,SLIDER CARRIAGE FJ-540_01
8	1000020067	PLATE,SLIDER CARRIAGE FJ-540TH
9	1000011928	MAGNET,SMF-2144
10	1000011069	SENSOR-INTERRUPTER,OJ-535S-A5
11	1000015808	SPRING,PULL CARRIAGE 5700 VG-640
11	1000020071	SPRING,PULL CARRIAGE 5700 VG-640TH
12	1000014213	SUPPORT,CARRIAGE BOARD EJ-640
12	1000020070	SUPPORT,CARRIAGE BOARD EJ-640TH
13	1000014216	SHAFT,HEXAGON CARRIAGE EJ-640
14	1000015475	BASE,HOLDER CARRIAGE SG-540
15	1000014346	STAY,HOLDER CARRIAGE B VG-640
16	1000014347	LEVER,CARRIAGE VG-640
17	1000015473	STAY,FAN CARRIAGE SG-540
18	1000015842	COVER,PRINT CARRIAGE VG-640_01
19	1000014478	STAY,CARRIAGE TUBE VG-640
19	1000017157	STAY,CARRIAGE TUBE VG-640_01
19	1000017232	STAY,CARRIAGE TUBE VG-640_01 TH
20	1000018524	FAN,109P0424H642_80
21	1000014753	SPRING,CARRIAGE SIDE VG-640
21	1000015480	SPRING,CARRIAGE SIDE SG-540
22	1000016914	BASE,CARRIAGE ADC VG-640_01
22	1000018832	BASE,CARRIAGE ADC VG-640_02
23	1000014771	BASE,CARRIAGE SIDE ADC VG-640
24	1000014772	PIN,PIVOT SCREW VG-640
24	1000015479	PIN,PIVOT SCREW SG-540
25	1000014773	STAY,CARRIAGE ADC VG-640
26	1000014774	BLOCK,ADJUST CARRIAGE VG-640
27	1000015477	PLATE,ENC SENS SG-540
28	1000014902	SPRING,CARRIAGE SIDE FJ-50
28	22175159	SPRING,CARRIAGE SIDE FJ-50
29	1000016915	COVER,CARRIAGE MIST VG-640_01
29	1000019102	COVER,CARRIAGE MIST VG-640_02



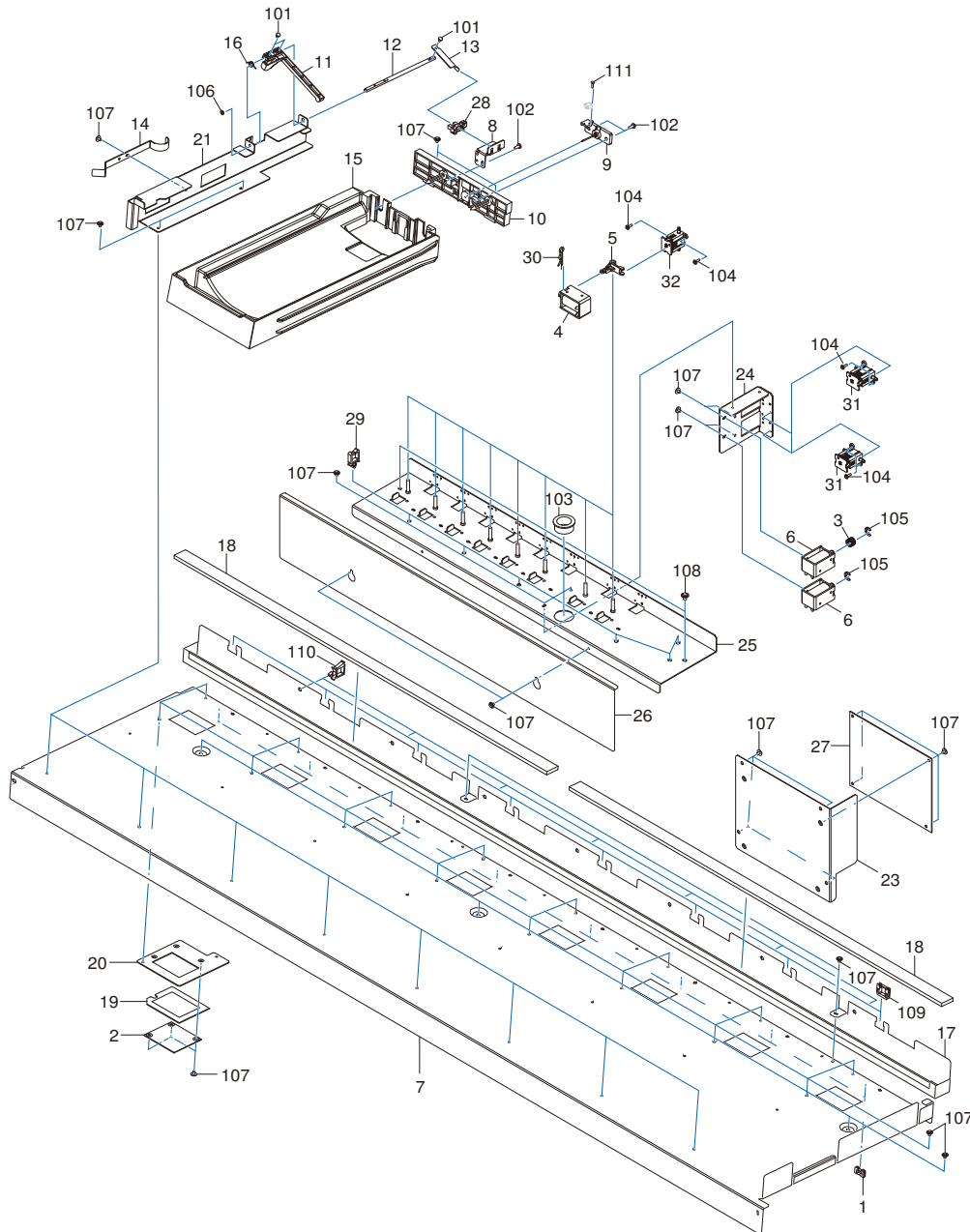
Pos	Code	Description
30	1000015045	GUARD,FFC HEAD VG-640
31	1000015046	FRAME,CARRIAGE U/D VG-640
31	1000020069	FRAME,CARRIAGE U/D VG-640TH
32	1000015271	STAY,IJ CARRIAGE FILTER VG-640_01
33	1000015128	STAY,SIDE FILTER VG-640
34	1000015270	BRACKET,FILTER VG-640_01
35	6000003077	ASSY,INKJET HEAD VG-640_01
36	6000002185	ASSY,PRINT CARRIAGE BOARD VG-640_01
37	1000015533	ASSY,LINEAR ENCODER BOARD SG-540
38	1000006283	FILTRE,TFT-081610N
39	1000015272	STAY,CARRIAGE FFC VG-640
40	1000015261	CLAMP,FCM1-S6
41	1000015262	FILTER(E),FPCR17-9-0.5
42	1000015161	CLAMP,TFB-2024M3
43	1000014046	FUSE,0154.630DR
44	1000016913	COVER,IJ HEAD REAR VG-640
45	1000015534	ASSY,THERMISTOR BOARD SG-540
46	6000003425	ASSY,INKJET HEAD (HEAD ONLY) SV CG2048
47	1000015256	ASSY,DAMPER DOUBLE CIR 2 VG-640
47	1000019701	ASSY,DAMPER DOUBLE CIR CG2075
48	1000014627	CABLE-CARD,24P0.5 200L BB HIGH-V
49	1000018253	HEAD TUBE 70MM+STOPPER SET SV CG2048
50	1000018350	HEAD CABLE-CARD 200L SET SV VG-640
51	6000003990	ASSY,INKJET HEAD 200L SV VG640
51	6000004769	ASSY,IJ HEAD SOL 200L SV VG-640
101	31019169	SCREW SET,BINDING M2*4 NI 100 PCS.
102	31049173AS	SCREW SET,CAP M4*10 NI 50 PCS.
103	31089110AS	SCREW SET,PAN M3*4 NI+PW 100 PCS
104	31089117	SCREW SET,PAN 3*6 NI+PW 100 PCS.
105	31149703AS	RING SET,E-RING ETW-4 100 PCS.
106	31239125AS	SCREW SET,W-SEMS M3*8 SUS 50 PCS.
107	31289102AS	CUPSCREW SET,M3*6 NI 50 PCS.
108	31289109AS	CUPSCREW SET,M3*4 NI 100 PCS
109	31409702	SADDLE SET,LOCKING WIRE LES-1010 20P
110	3000000560	SADDLE,LOCKING WIRE LWS-0711Z_TH
110	31409801AS	SADDLE,LOCKING WIRE LWS-0711Z 20P
111	31409811AS	SADDLE SET,LOCKING WIRE LWS-1211Z 20P
112	3000000465	CAP-SCREW,3*30 NI 100PCS
113	31799103	SCREW SET,CAP M3*15 NI 20PCS
114	3000000172	SCREW SET,CAP M4*8 NI WSH4*9*0.8 20P



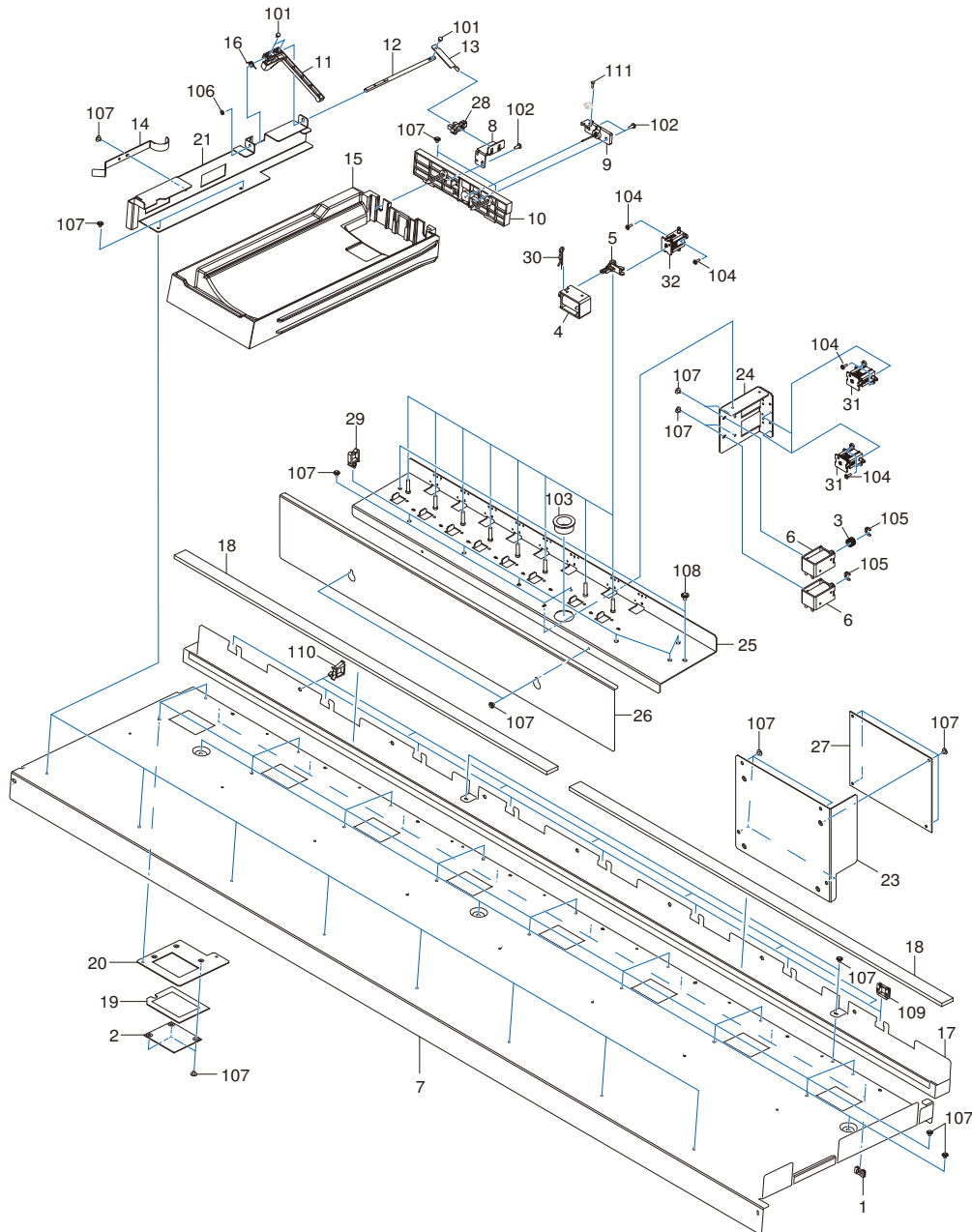
Pos	Code	Description
115	3000000413	SET-SCREW,MARUSAKI_3_12_NI 20PCS
116	3000000414	LH-SCREW,CSHBTT-SUS-M3-5 20PCS
117	3000000415	NABE,3*6 NI WASHER D5 20PCS
118	3000000455	BIND,P-TIGHT 3*4 3C 20PCS.
119	31049119	SCREW SET,CAP M3*4 NI 20PCS.
120	3000000435	TAPE,650S-25-20X20
121	31289112AS	CUPSCREW SET,M3*10 NI 100 PCS.



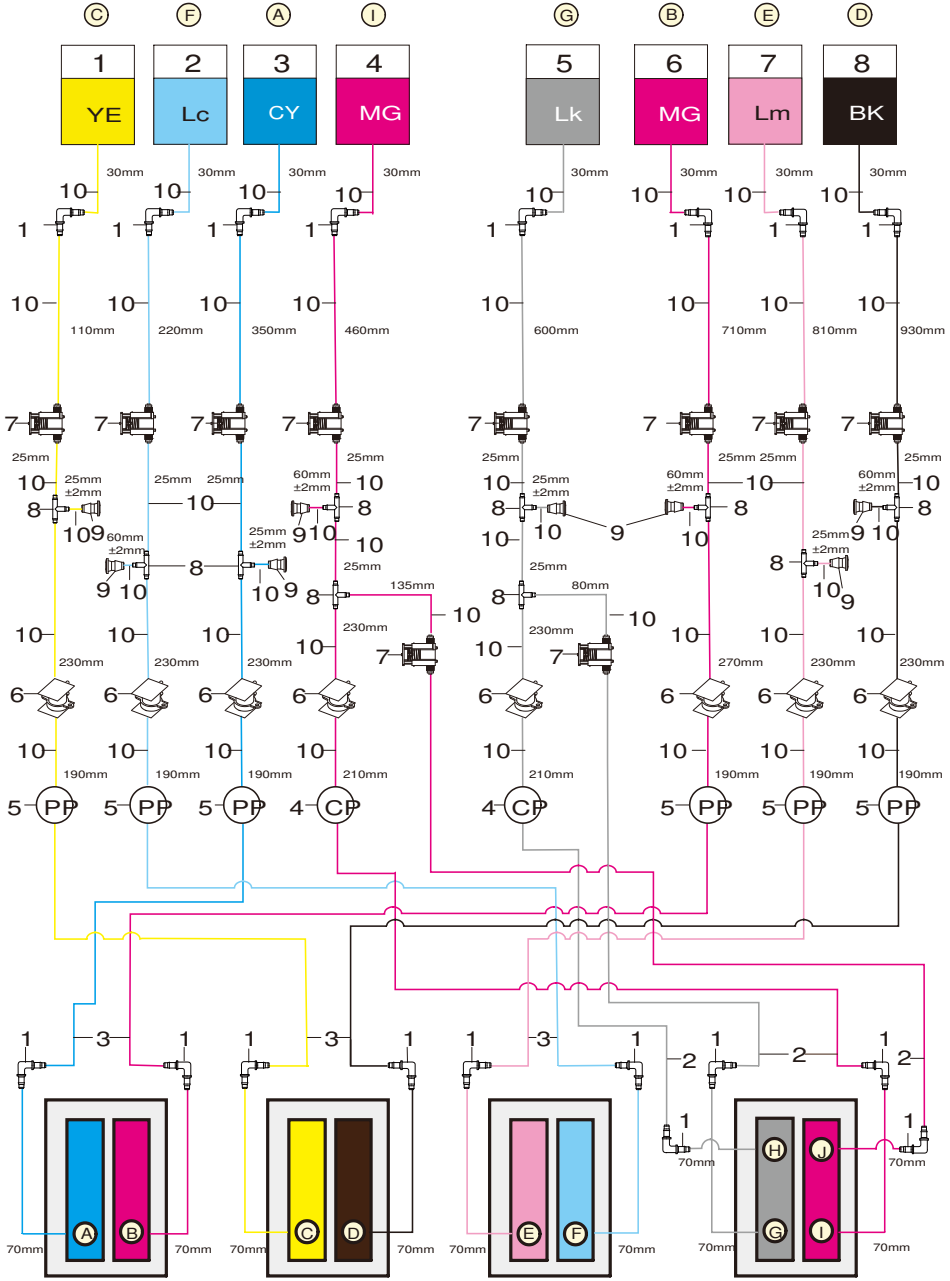
Pos	Code	Description
1	1000015445	KNOB,WASTE VALVE SG-540
2	1000016164	STAY,WASTE VALVE SG-540_01
3	1000015447	LEVER,WASTE VALVE SG-540
4	1000015430	HOLDER,WASTE TUBE SG-540
5	1000018316	HOLDER,FUNNEL VG-640_01
6	1000015741	STOPPER,TUBE FAI8 VG-640
6	1000020063	STOPPER,TUBE FAI8 VG-640TH
7	1000015742	PAD,INK FUNNEL ANTIFOAM VG-640
7	1000020062	PAD,INK FUNNEL ANTIFOAM VG-640TH
8	22055474	PLATE,INK CATCH TANK FJ-52
9	1000001577	ADAPTER,TUBE 2-4-T XC-540
10	7520501000	ASSY,CAP BOTTLE 2 FJ-52
11	22175122	SPRING,BACK UP PNC-960
12	1000011069	SENSOR-INTERRUPTER,OJ-535S-A5
13	1000011924	ADAPTER,JUNCTION VPT-306
13	1000017902	ADAPTER,JUNCTION 3T CG2023
14	1000014476	GUIDE,INK FUNNEL PE 6-316-01
15	3000000322	BUSH,ROLL 3*12.5 3C
16	11369115	CASE,PP BOTTLE
17	1000012701	VALVE,CHOKE XF-640
17	1000019097	VALVE,CHOKE CG2057
101	31029817	BUSH SET,ROLL 4*15 3C 20PCS
102	31049119	SCREW SET,CAP M3*4 NI 20PCS.
103	3000000464	CAP-SCREW,3*20 NI
103	31049172	SCREW SET,CAP M3*20 NI 20PCS
104	31049175AS	SCREW SET,CAP M4*20 NI 20 PCS.
105	31089121AS	SCREW SET,PAN M2.3*8 NI+PW 100PCS
107	31239125AS	SCREW SET,W-SEMS M3*8 SUS 50 PCS.
108	31289102AS	CUPSCREW SET,M3*6 NI 50 PCS.
109	31289109AS	CUPSCREW SET,M3*4 NI 100 PCS
110	3000000560	SADDLE,LOCKING WIRE LWS-0711Z_TH
110	31409801AS	SADDLE,LOCKING WIRE LWS-0711Z 20P



Pos	Code	Description
1	1000000196	SADDLE,LOCKING EDGE LES-0510
2	1000014128	RFID-MODULE,LXRFZZHAAA-022
3	1000014140	SPRING,VALVE BIF-2
3	1000020061	SPRING,VALVE BIF-2TH
4	1000011947	SOLENOID,TDS-08A DC-24V
4	1000018518	SOLENOID,TDS-08ADC-24V
5	1000012171	CAM,CHOKE VALVE RF-640
6	1000014297	SOLENOID,TDS-08A DC-24V TYPE2
6	1000018523	SOLENOID,TDS-08A DC-24V TYPE2
7	1000014579	FRAME,HOLDER I/C VG-640
7	1000017218	FRAME,HOLDER I/C VG-640 TH
8	1000015444	STAY,INK EMPTY SENS SG-540
9	6000002739	ASSY,I/C NEEDLE HOLDER VG-640
10	1000014581	BASE, HOLDER NEEDLE VG-640
11	1000014582	LEVER,INK EMPTY VG-640
12	1000015442	SHAFT,INK EMPTY SG-540
13	1000015443	BLADE,INK EMPTY SG-540
14	1000014585	SPRING,PLATE I/C VG-640
15	1000014586	TRAY, INK POUCHES VG-640
16	1000014587	SPRING,LEVER INK EMPTY VG-640
17	1000014589	PLATE,INK HOLDER VG-640
17	1000017223	PLATE,INK HOLDER VG-640 TH
18	1000014590	PAD,INK HOLDER VG-640
19	1000015032	PLATE,RFID VG-640
19	1000020031	PLATE,RFID VG-640TH
20	1000015089	PLATE,BASE RFID VG-640
21	1000015439	FRAME,HOLDER SIDE I/C SG-540
23	1000015429	STAY,INKSYSTEM BOARD SG-540
24	1000014480	FRAME,VALVE CIR VG-640
25	1000014489	BASE,SELECTOR SOLENOID VG-640
25	1000017224	BASE,SELECTOR SOLENOID VG-640 TH
26	1000014595	COVER,SELECTOR VALVE VG-640
27	6703496070	ASSY,INKSYSTEM RFID BOARD VG-640
28	1000011069	SENSOR-INTERRUPTER,OJ-535S-A5
29	31409811AS	SADDLE SET,LOCKING WIRE LWS-1211Z 20P
30	1000012170	PIN,SNAP M8 SUS
31	1000012701	VALVE,CHOKE XF-640
31	1000019097	VALVE,CHOKE CG2057
101	31019148AS	SCREW SET,BINDING M2.6*4 NI 100 PCS
102	31019703	SCREW,BINDING P-TIGHT M3*8 3C 100P

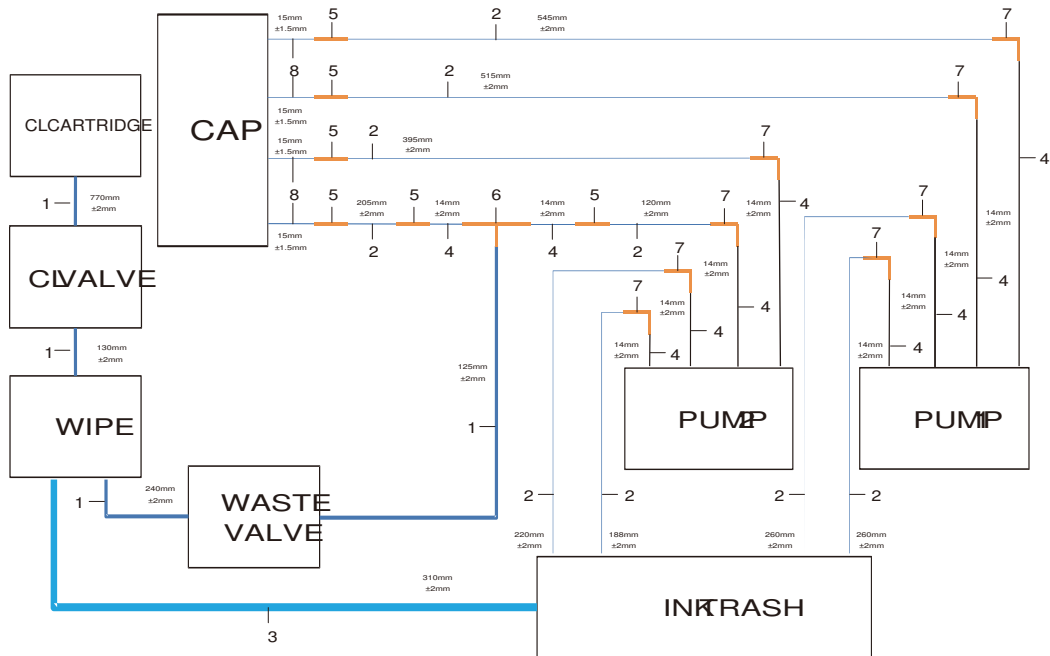


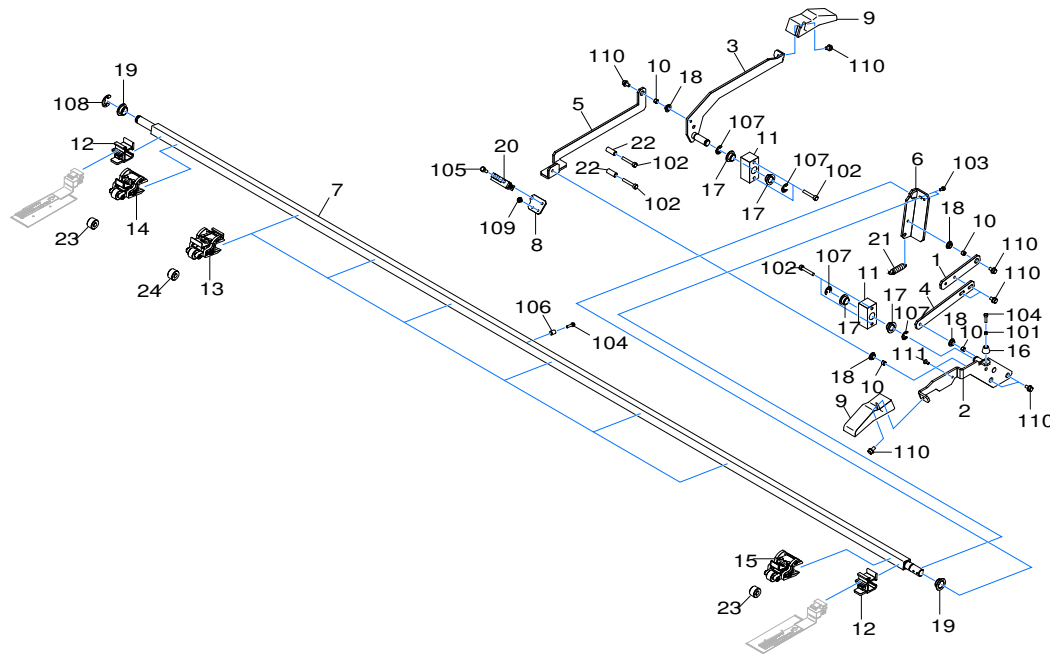
Pos	Code	Description
103	31029101	BUSH,NB-19
104	31089121AS	SCREW SET,PAN M2.3*8 NI+PW 100PCS
105	31149704AS	RING SET,E-RING ETW-6 SUS 100 PCS
106	31249952	WASHER SET,POLYSLIDER 2.6*5*.5 CUT 20PCS
107	31289109AS	CUPSCREW SET,M3*4 NI 100 PCS
108	31289111AS	CUPSCREW SET, M4*6 NI 100 PCS.
109	31409702	SADDLE SET,LOCKING WIRE LES-1010 20P
110	31409811AS	SADDLE SET,LOCKING WIRE LWS-1211Z 20P
111	3000000412	BIND,P-TIGHT 2*8 3C 20PCS.



Pos	Code	Description
1	1000007124	ADAPTER,JOINT VPL306
1	1000017901	ADAPTER,JOINT 3L CG2023
2	1000015644	TUBE,PT01-RDG 3X3.8 LINK4 VG-540
2	1000016631	TUBE,PT05-RDG 3X3.8 LINK4 VG-540
2	1000017469	TUBE,PT05-RDG 3X3.8 LINK4 VG-540 TH
3	1000015643	TUBE,PT01-RDG 3X3.8 LINK6 VG-540
3	1000016632	TUBE,PT05-RDG 3X3.8 LINK6 VG-540
3	1000017468	TUBE,PT05-RDG 3X3.8 LINK6 VG-540 TH
4	6701219010	ASSY,CIRCULATING PUMP LEC-330
5	6000002334	ASSY,PRESS PUMP VG-640
6	1000014759	ASSY,VALVE VG-640
7	1000012701	VALVE,CHOKE XF-640
7	1000019097	VALVE,CHOKE CG2057
8	1000011924	ADAPTER,JUNCTION VPT-306
8	1000017902	ADAPTER,JUNCTION 3T CG2023
9	1000012699	PLUG,STOPPER VSP206
9	1000017900	PLUG,STOPPER FAI3 CG2023
10	3000000420	TUBE,PT01-RDG 3X3.8 100M
10	3000000489	TUBE,PT05-RDG 3X3.8 100M

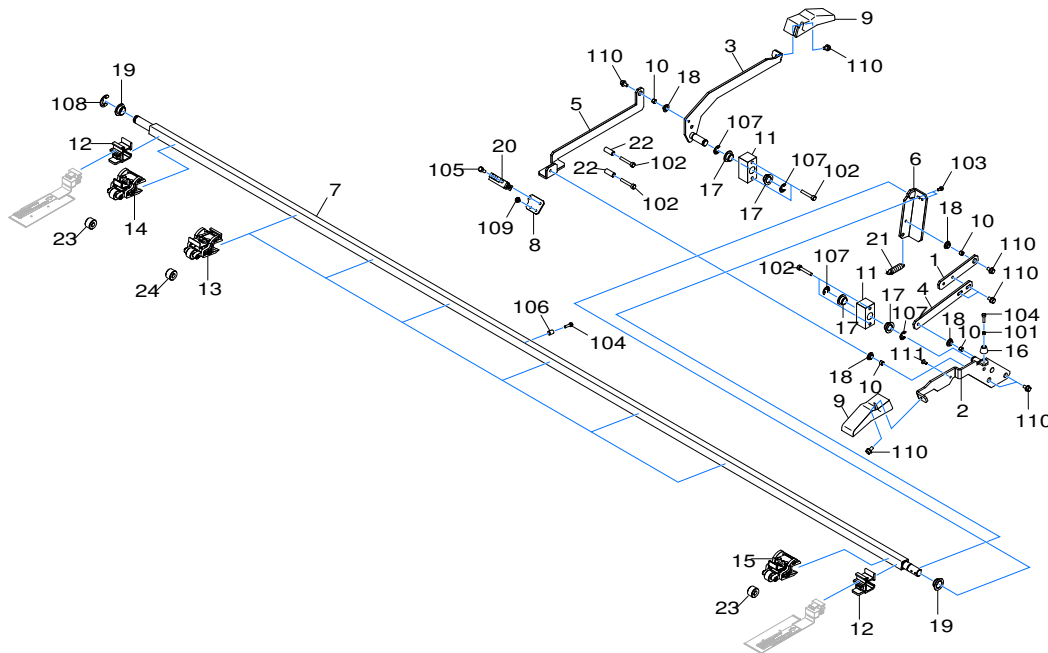
Pos	Code	Description
1	3000000420	TUBE,PT01-RDG 3X3.8 100M
1	3000000489	TUBE,PT05-RDG 3X3.8 100M
1	6000002764	TUBE,CUT PT01-RDG 3X3.8 1500MM
1	6000003132	TUBE,CUT PT05-RDG 3X3.8 1500MM
2	3000000416	TUBE,SJ-RDG 2.23.2 100M
3	3000000422	TUBE,TM-15 6*8 50M
4	1000002123	TUBE,EPDM ID2-OD4 50MM
5	1000014829	ADAPTER,JOINT MCI-1
6	1000011924	ADAPTER,JUNCTION VPT-306
6	1000017902	ADAPTER,JUNCTION 3T CG2023
7	1000008314	ADAPTER,JOINT 2L MCL-1
8	3000000416	TUBE,SJ-RDG 2.23.2 100M



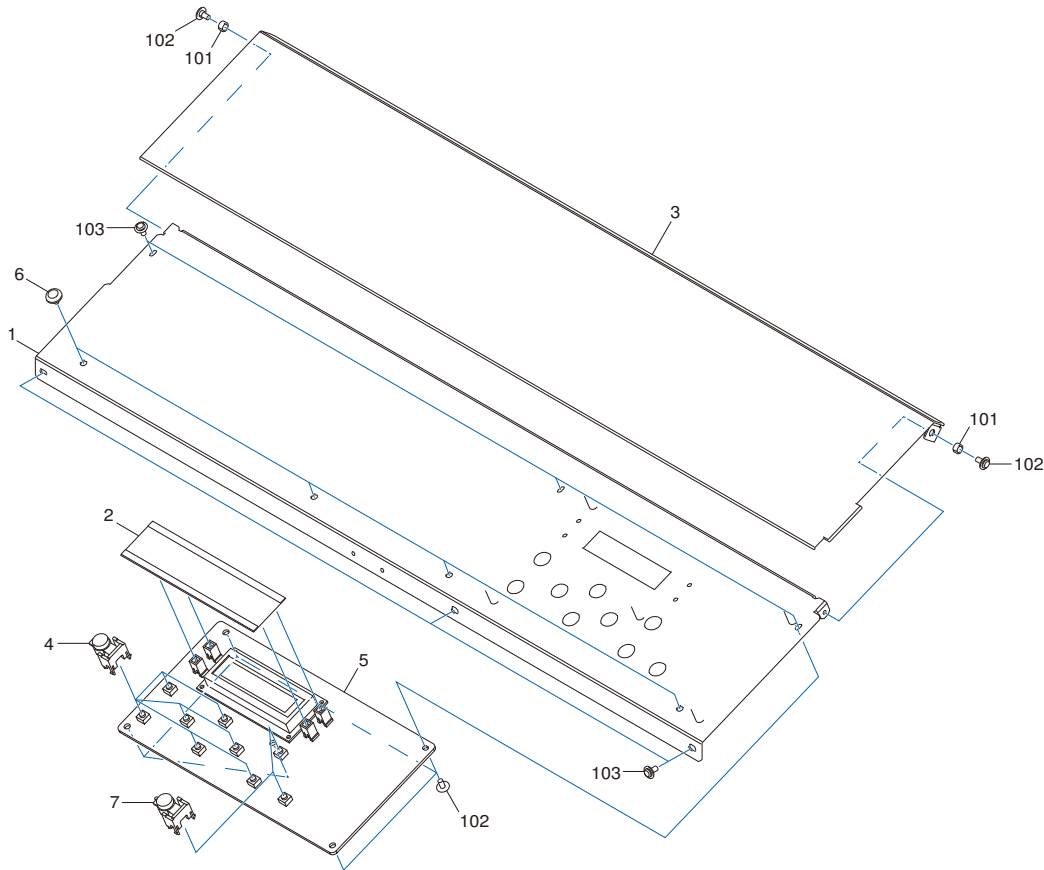


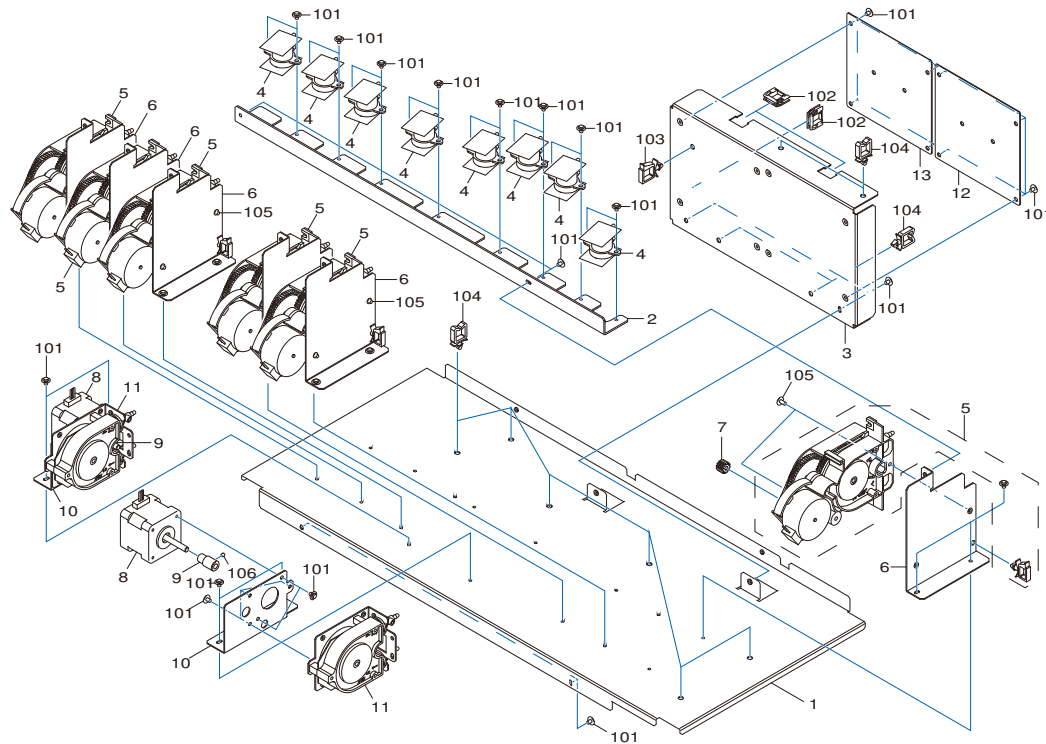
Pos	Code	Description
1	1000015384	STAY,LEVER ADJ SG-540
2	1000015385	LEVER,CAM PINCH FRONT SG-540
2	1000016836	LEVER,CAM PINCH FRONT SG-540_01
3	1000016837	LEVER,CAM PINCH REAR SG-540_01
4	1000016838	STAY,LINK FRONT SG-540_01
5	1000015388	STAY,LINK REAR SG-540
6	1000016839	PLATE,LINK SUPPORT SG-540_01
7	1000015383	SHAFT,SQUARE SG-540
8	1000014401	STAY,PINCH SENS VG-640
9	1000014431	KNOB,VG-640
10	1000012953	COLLAR,LEVER FJ-540
11	22035196	STAND,LEVER SP-300
12	1000015110	ADAPTER,CLAMP MEDIA SP-500_01
13	1000015672	ASSY,PINCHROLL C SG-540
13	6000003805	ASSY,PINCHROLL C CG2032
13	6000003806	ASSY,PINCHROLL C CG2048
13	6000005176	ASSY,PINCHROLL C VG-640
14	1000015671	ASSY,PINCHROLL L SG-540
14	6000005178	ASSY,PINCHROLL L VG-640
14	6700460210	ASSY,PINCHROLL L VP-540
15	1000015670	ASSY,PINCHROLL R SG-540
15	6000005177	ASSY,PINCHROLL R VG-640
15	6700460220	ASSY,PINCHROLL R VP-540
16	11879107	ABSORBER TK-12
17	1000018503	BUSH,80F-1006
17	12159563	BUSH,80F-1006
18	1000018512	BUSH,80F-0603
18	12159573	BUSH,80F-0603
19	1000018504	BUSH,SHAFT OILES 80F-1206
19	12159508	BUSH,SHAFT OILES 80F-1206
20	1000006689	SENSOR-INTERRUPTER,EE-SX4009-P1
21	1000012989	SPRING,PINCH PNC-1850
22	1000020065	COLLAR,P-ROLLER PNC-960TH
22	21745101	COLLAR,P-ROLLER PNC-960
23	21565102	P-ROLLER TD16S4(B10) TYPE2
23	6000003824	ASSY,P-ROLLER TD16S4(B10) TYPE 2_01
24	1000015305	P-ROLLER,FD16S4(B10) TYPE5
24	21565103	P-ROLLER FD16S4(B10) TYPE2
24	6000003823	ASSY,P-ROLLER FD16S4(B10) TYPE 2_01
101	31029802AS	BUSH SET,ROLL 3*3.5 3C 100PCS.

Pos	Code	Description
102	3000000423	CAP-SCREW,4*25 3CBC 100PCS
102	31049137AS	SCREW SET,CAP M4*25 3CBC 20 PCS
103	31049142AS	SCREW SET,CAP M3*6 NI MEC 20 PCS
104	31049171AS	SCREW SET,CAP M3*12 NI 50 PCS.
105	31049173AS	SCREW SET,CAP M4*10 NI 50 PCS.
106	31129101	PIPE SET,POLYCA 3*6*8 20PCS
107	3000000558	RING,E ETW-7 SUS_TH
107	31149705	RING SET,E-RING ETW-7 SUS 50PCS
108	3000000559	RING,E ETW-10 SUS_TH
108	31149706AS	RING SET,E-RING ETW-10 SUS 20 PCS
109	31289102AS	CUPSCREW SET,M3*6 NI 50 PCS.
110	3000000172	SCREW SET,CAP M4*8 NI WSH4*9*0.8 20P
111	31159904	RIVET SET,NYLON P3065B 20 PCS.

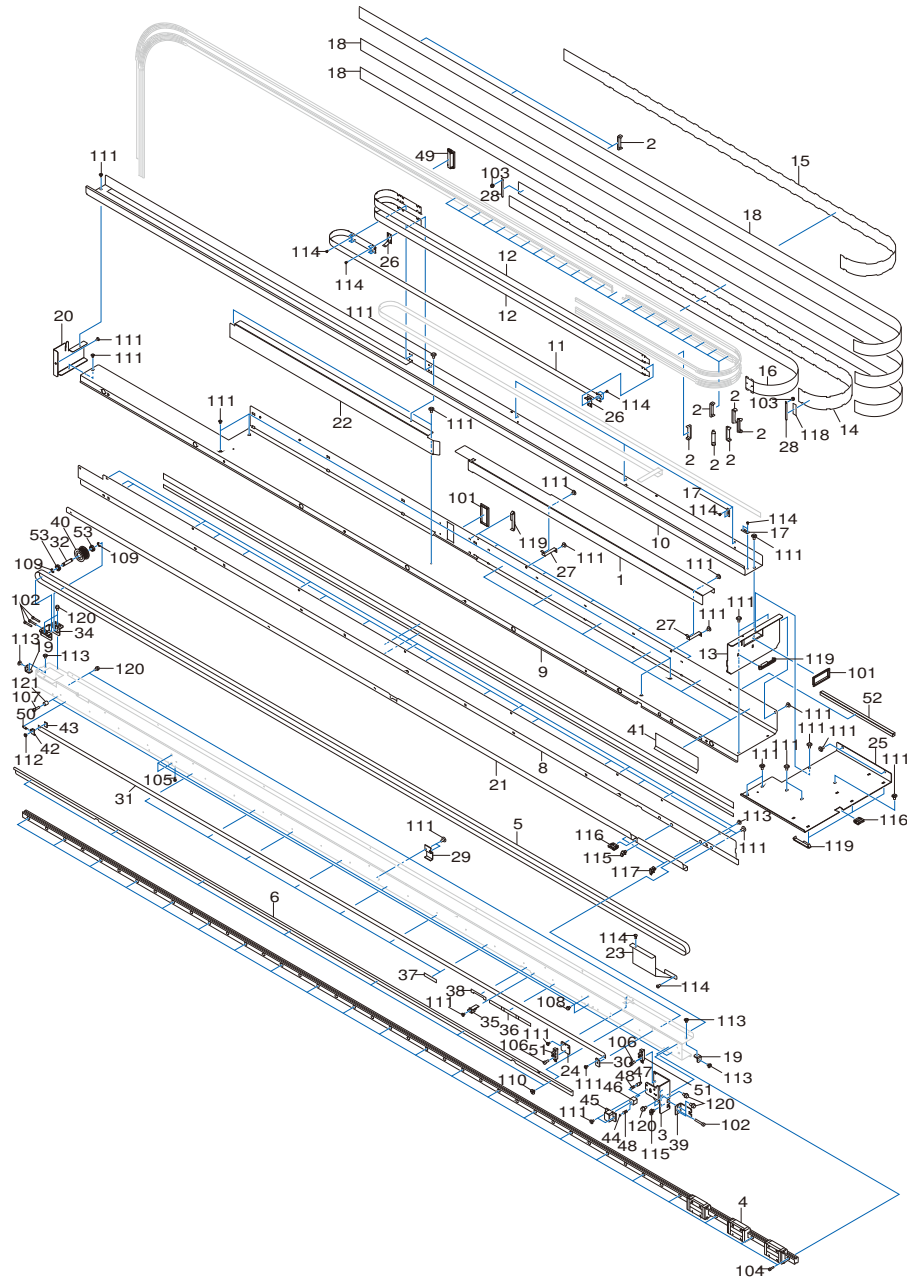


Pos	Code	Description
1	1000014379	STAY,PANEL VG-640
1	1000015420	STAY,PANEL SG-540
2	1000015421	SHEET,PANEL SG-540
3	1000016205	COVER,PANEL VG-540TH
4	1000014481	KEY, TOP BLACK VG-640
5	6703496040	ASSY,PANEL BOARD VG-640
6	12239406	CUSHION, TM-96-6
7	1000012564	KEY, TOP CLEAR GS-24
7	22495102	KEY TOP, CLEAR GX-24
101	31029820	BUSH SET, ROLL 3*2 3C 50PCS
102	31289102AS	CUPSCREW SET, M3*6 NI 50 PCS.
103	31289105AS	CUPSCREW SET, M3*6 3CBC 100 PCS

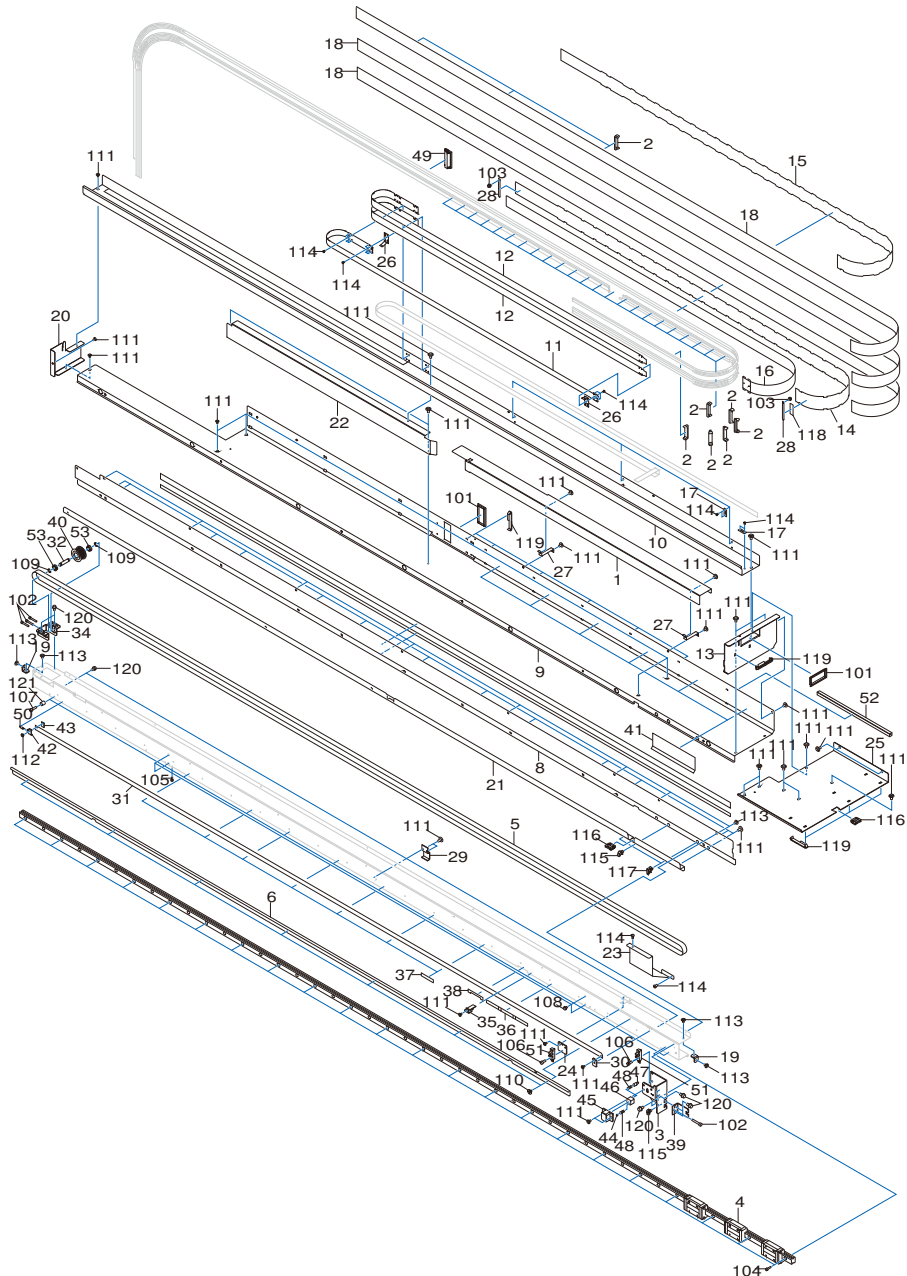




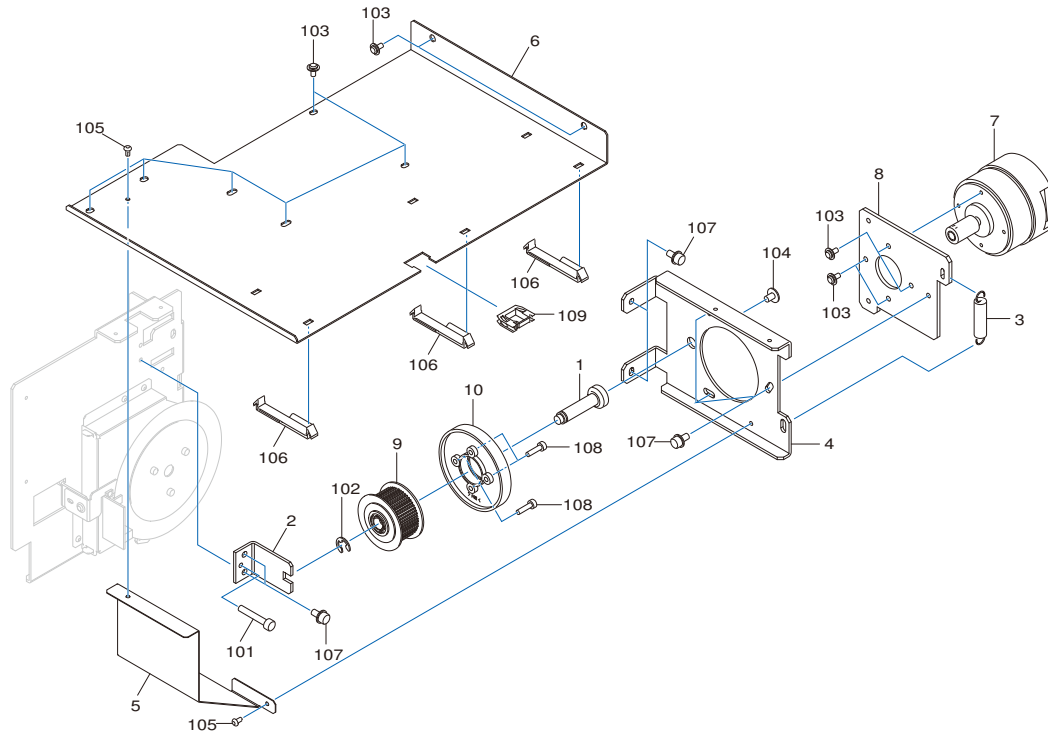
Pos	Code	Description
1	1000015458	FRAME,BACKUP CAP SG-540
2	1000015469	BASE,CHECK VALVE SG-540
3	1000015470	STAY,PUMP BOARD SG-540
4	1000014759	ASSY,VALVE VG-640
5	6000002334	ASSY,PRESS PUMP VG-640
6	1000015471	STAY,PRESS PUMP SG-540
7	1000015179	GEAR,S12S3BS VG-640
8	1000007733	MOTOR,XS-5208-064
8	1000018514	MOTOR,103-5208-85542
9	1000012988	GEAR,S10B20
10	1000014475	STAY,ROTE PRESS PUMP VG-640
11	6701219010	ASSY,CIRCULATING PUMP LEC-330
12	1000015539	ASSY,PUMP DRIVE BOARD 0.6A*4 SG-540
13	6703496110	ASSY,PUMP DRIVE BOARD 0.6A*2 VG-640
101	31289109AS	CUPSCREW SET,M3*4 NI 100 PCS
102	31409702	SADDLE SET,LOCKING WIRE LES-1010 20P
103	31409811AS	SADDLE SET,LOCKING WIRE LWS-1211Z 20P
104	3000000216	SADDLE,WIRE WS-2N-V0
105	31289102AS	CUPSCREW SET,M3*6 NI 50 PCS.
106	31199701AS	SCREW SET,SET WP M3*3 NI 20 PCS



Pos	Code	Description
1	1000010579	SUPPORT,CUT CABLE VS-640I
2	1000014756	GUIDE,TUBE VG-640
3	1000015351	STAY,LOCK SG-540
4	1000015357	L-BEARING,SSR15XW1GGC1E/2GC1E+2320L
5	1000015650	BELT,150S2M2459LW-C
6	1000015359	RAIL,LINER SCALE SG-540
8	1000015361	PLATE,RAIL REAR SG-540
9	1000015365	FRAME,SUPPORT RAIL SG-540
10	1000015366	GUIDE,CUT CABLE SG-540
11	1000015658	PLATE,CUT CABLE VG-540
12	1000015380	SHEET,CUT CABLE SG-540
13	1000015367	COVER,RAIL SIDE R SG-540
14	1000015372	HOLDER,CABLE F SG-540
15	1000015373	HOLDER,CABLE SG-540
16	1000015647	PLATE,HOLDER CABLE VG-540
17	1000015428	PLATE,CABLE SLIT SG-540
18	1000015648	SHEET,HOLDER CABLE VG-540
18	1000020084	SHEET,HOLDER CABLE VG-540TH
19	1000015362	STAY,RAIL GUIDE SG-540
20	1000015369	COVER,RAIL SIDE L SG-540
21	1000015363	STAY,RAIL UNDER SG-540
22	1000015371	SUPPORT,GUIDE CABLE SG-540
23	1000014426	COVER,SCAN MOTOR VG-640
24	1000015364	PLATE,CUT ORIGIN SG-540
25	1000014490	SUPPORT,SCAN MOTOR VG-640
25	1000017233	SUPPORT,SCAN MOTOR VG-640 TH
26	1000015101	PLATE,GND C VG-640
27	1000015102	STAY,GND VG-640
27	1000020082	STAY,GND VG-640TH
28	1000015103	PLATE,GND P VG-640
29	1000015596	HOLDER,BACKUP SHAFTSQUARE RE-640
30	22135441	STOPPER,LINER SCALE FJ-540
31	1000003665	SHEET,LINER SCALE XJ-540
32	1000012957	SHAFT,IDLE PULLEY XC-540
34	1000001555	HOLDER,IDLE PULLEY XC-540
35	1000012965	STAY,HOLD SHAFT SQUARE SP-500
36	1000002971	LABEL,G-ROLLER 170 VP-540 #LA978
37	1000002970	LABEL,G-ROLLER 50 VP-540 #LA977
38	1000002685	LABEL,PINCH ROLL VP-540#LA968
39	1000002534	STAY,SHAFT DRIVE PULLEY VP-540

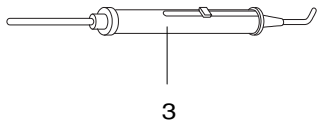
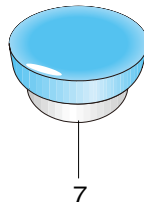
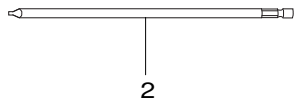
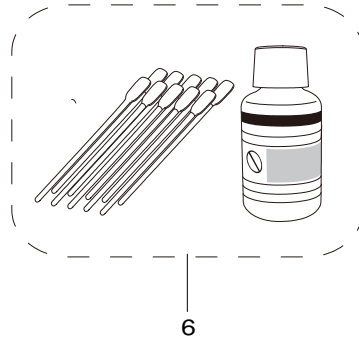
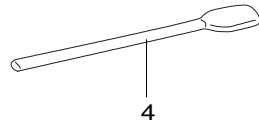
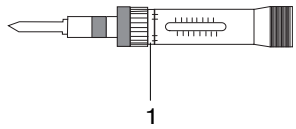


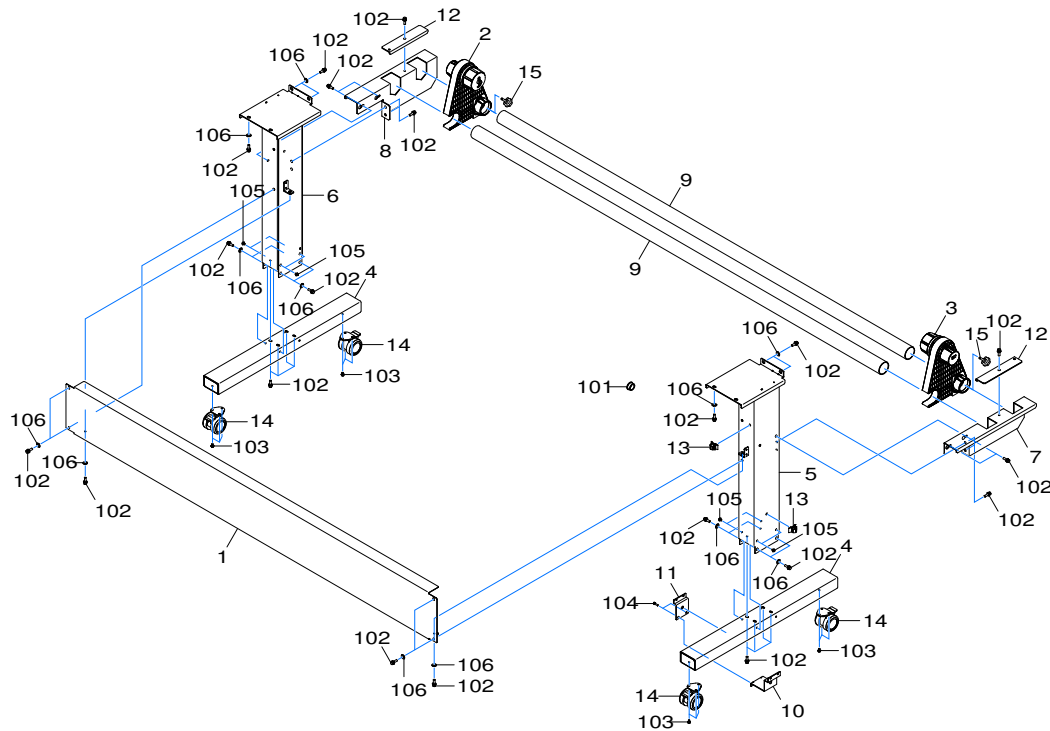
Pos	Code	Description
39	1000020056	STAY,SHAFT DRIVE PULLEY VP-540TH
40	1000001904	PULLEY,T55P2S16(B21C26)
41	1000012983	SHEET,FRAME SUPPORT RAIL VP-540
42	1000012985	HOLDER,LINEAR SCALE CJ-70
43	22055316	PLATE,LINEAR SCALE CJ-70
44	11869103	BALL,4MM
45	1000016171	CASE,LOCK CJ-70_02
46	1000016170	SLIDER,LOCK CJ-70_02
47	1000012944	SHAFT,LOCK CJ-70
48	22175134	SPRING,A CJ-70
49	11769118	CLAMP,FCM2-S6-14
50	22175122	SPRING,BACK UP PNC-960
51	1000006689	SENSOR-INTERRUPTER,EE-SX4009-P1
52	1000015159	GASKET,STGH 10-10 L=300MM
53	22175815	BEARING F8-16ZZ
101	31029106	BUSH,SQUARE SB-6025
102	3000000423	CAP-SCREW,4*25 3CBC 100PCS
102	31049137AS	SCREW SET,CAP M4*25 3CBC 20 PCS
103	31049154AS	SCREW SET,CAP M3*6 NI+PW 20 PCS
104	31049155AS	SCREW SET,CAP M3*12 BC+PW 20 PCS.
105	31049170AS	SCREW SET,CAP M3*8 NI 50 PCS.
106	31049173AS	SCREW SET,CAP M4*10 NI 50 PCS.
107	31049174AS	SCREW SET,CAP M4*15 NI 20 PCS.
108	31069104	SCREW,CAP M4*6+FL NI
109	31149704AS	RING SET,E-RING ETW-6 SUS 100 PCS
110	31239103AS	SCREW SET,W-SEMS M3*8 NI+PW 50 PCS
111	31289102AS	CUPSCREW SET,M3*6 NI 50 PCS.
112	31289109AS	CUPSCREW SET,M3*4 NI 100 PCS
113	31289111AS	CUPSCREW SET, M4*6 NI 100 PCS.
114	31299102AS	RIVET SET,NYLON P2655B 20 PCS.
115	31329501AS	CLAMP SET,PUSH MOUNT RT30SSF5 20P
116	31409702	SADDLE SET,LOCKING WIRE LES-1010 20P
117	3000000560	SADDLE,LOCKING WIRE LWS-0711Z_TH
117	31409801AS	SADDLE,LOCKING WIRE LWS-0711Z 20P
118	3000000521	TAPE,FILAMENT 3M #898 12MMX50M
118	31549101	3M 898 FILAMENT TAPE 12MM*50M
119	3000000033	CLAMP,WIRE PLESS RFC-45VO
120	3000000172	SCREW SET,CAP M4*8 NI WSH4*9*0.8 20P
121	31129102	PIPE SET,POLYCA 4*8*10 20PCS



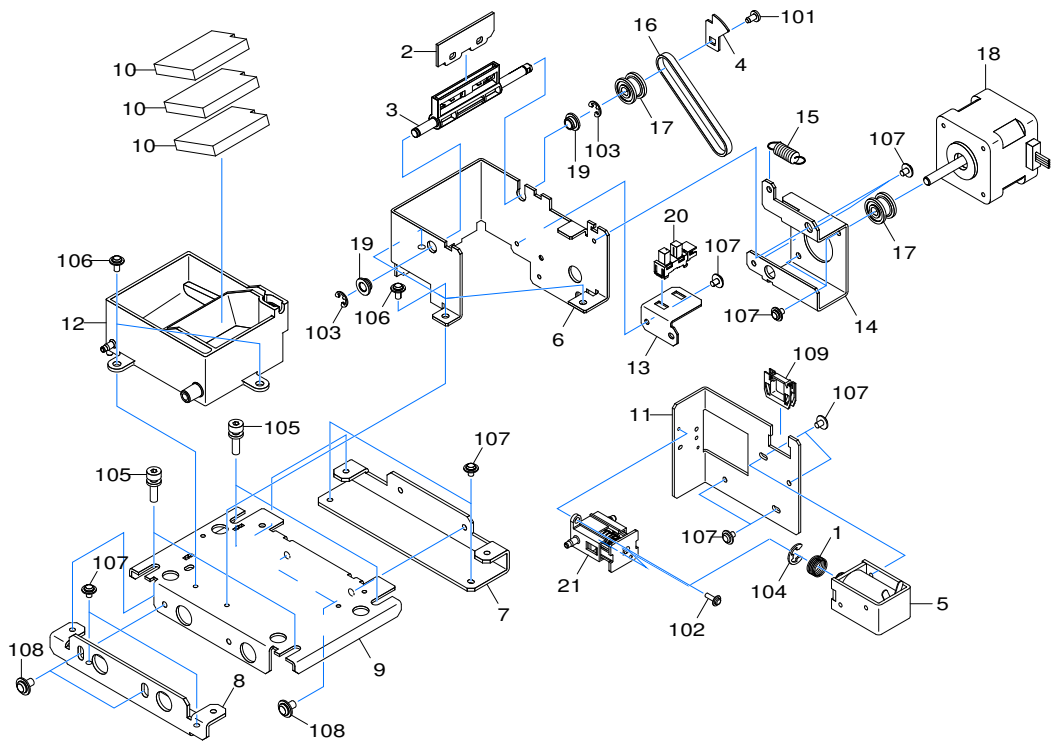
Pos	Code	Description
1	1000012807	SHAFT,DRIVE PULLEY XC-540
2	1000002534	STAY,SHAFT DRIVE PULLEY VP-540
2	1000020056	STAY,SHAFT DRIVE PULLEY VP-540TH
3	22175157	SPRING,C P-ROLLER CM-500
4	1000014402	BASE,SCAN DRIVE VG-640
4	1000020072	BASE,SCAN DRIVE VG-640TH
5	1000014426	COVER,SCAN MOTOR VG-640
6	1000014490	SUPPORT,SCAN MOTOR VG-640
6	1000017233	SUPPORT,SCAN MOTOR VG-640 TH
7	6000002333	ASSY,SCAN MOTOR SV VG-640
8	1000014403	FLANGE,MOTOR SCAN VG-640
9	6700469030	ASSY,PULLEY VP-540
10	1000001905	GEAR,H187S20(B8)
101	3000000423	CAP-SCREW,4*25 3CBC 100PCS
101	31049137AS	SCREW SET,CAP M4*25 3CBC 20 PCS
102	31149704AS	RING SET,E-RING ETW-6 SUS 100 PCS
103	31289102AS	CUPSCREW SET,M3*6 NI 50 PCS.
104	31289111AS	CUPSCREW SET, M4*6 NI 100 PCS.
105	31299102AS	RIVET SET,NYLON P2655B 20 PCS.
106	3000000033	CLAMP,WIRE PLESS RFC-45VO
107	3000000172	SCREW SET,CAP M4*8 NI WSH4*9*0.8 20P
108	31049171AS	SCREW SET,CAP M3*12 NI 50 PCS.
109	31409702	SADDLE SET,LOCKING WIRE LES-1010 20P

Pos	Code	Description
1	ST-056	TORQUE DRIVER N6
2	1000015274	BIT,PHILLIPS NO.2 L200MM
3	ST-001	TENSION GAUGE 2000GF/2000CN
4	1000003138	SET,CLEANER STICK TX712A 10PCS.
4	1000007172	CLEANER SET,STICK TX712A 100PCS
4	ST-037	CLEAN STICK TX712A
5	21755107	CLEANING LIQUID(SL) 500ML
5	6702419050	CLEANING LIQUID(ESL5) 500ML
6	22085118	KIT,CLEANING(SL)
6	6701409310	KIT,CLEANING(ESL5) 100ML
7	21675102	GREASE,FLOIL G-902 10ML
7	6000004129	GREASE,FLOIL G-902 10ML_02

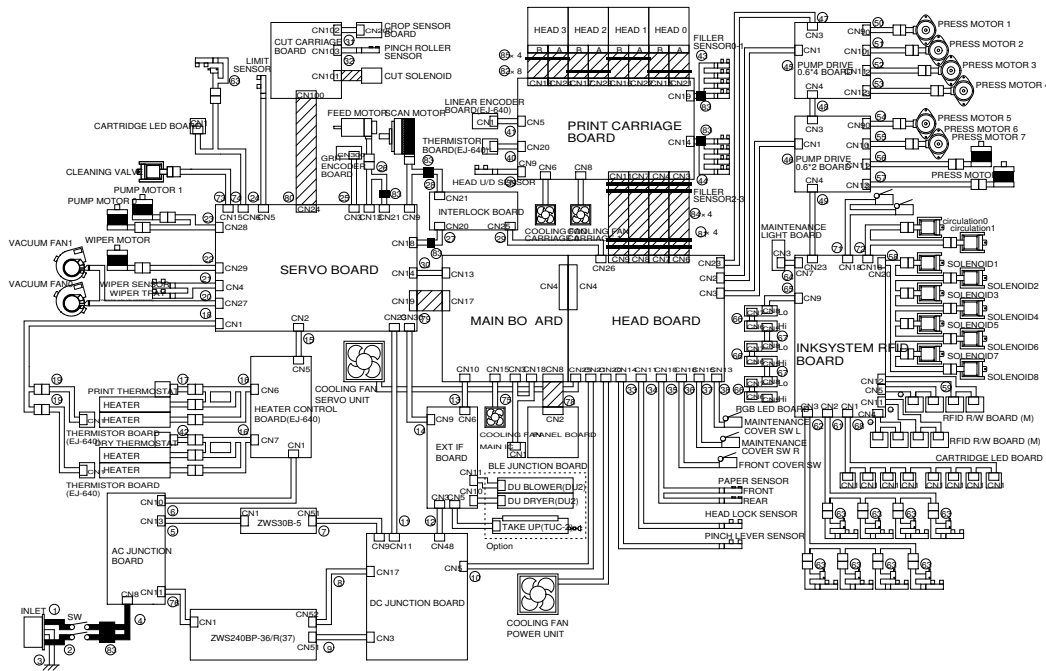




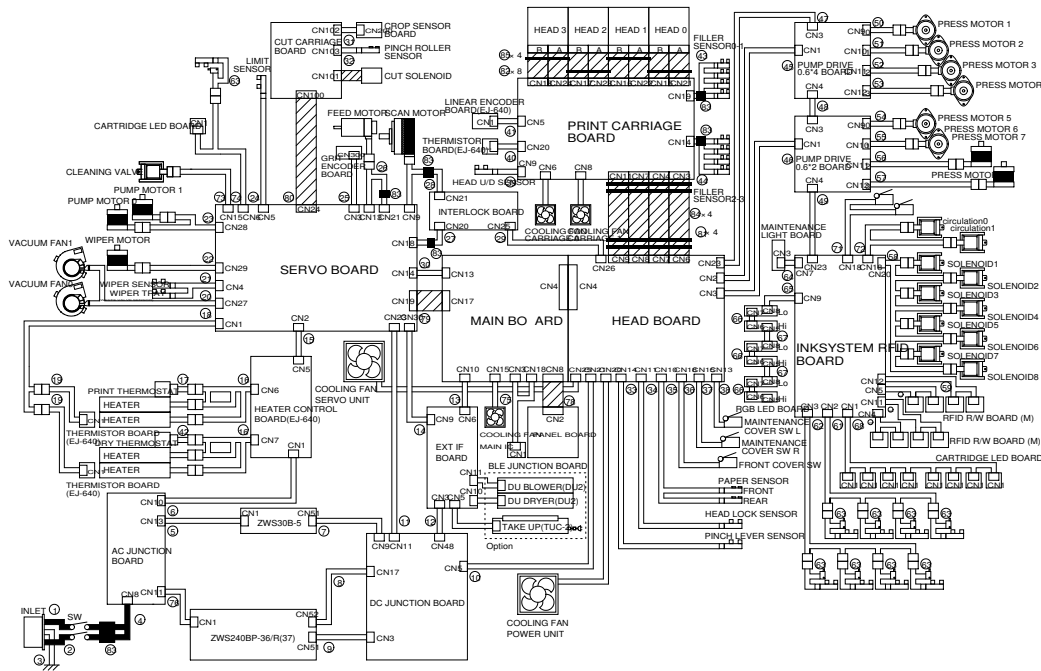
Pos	Code	Description
1	1000015661	STAY,STAND VG-540
1	1000016209	STAY,STAND VG-540_01
2	6000002177	ASSY,FEEDER HOUSING L
2	6000003537	ASSY,FEEDER HOUSING L SV VG-640 T
3	6000002180	ASSY,FEEDER HOUSING R
3	6000003538	ASSY,FEEDER HOUSING R SV VG-640 T
4	1000015325	ASSY,BASE STAND SG-540
5	1000015326	ASSY,STAND LEG R SG-540
6	1000016207	ASSY,STAND LEG L VG-540TH
7	1000015328	ARM,R FEEDER SG-540
8	1000015329	ARM,L FEEDER SG-540
9	1000015601	PIPE,FEEDER SHAFT RS-540
10	1000015176	BRACKET,FRAME R UNDER 2 TUC-2
11	1000015177	PLATE,FRAME R UNDER 2 TUC-2
12	1000003635	STOPPER,PIPE FEEDER XJ-740
13	31379111	CLAMP,CABLE CKS-13-H
14	1000003892	CASTER,STAND XJ-740
15	1000014294	KNOB,KG-B1 M6X30
101	31029101	BUSH,NB-19
102	31049157	SCREW,CAP M6*20 3CBC+PW+SW
103	31049169AS	SCREW SET,CAP M4*8 3CBC+PW 20PCS
104	31049174AS	SCREW SET,CAP M4*15 NI 20 PCS.
105	31239106AS	SCREW SET,W-SEMS M4*8 3CBC 50 PCS
106	31249220AS	WASHER SET,PLAIN 6.5*16*1 NI 100PCS



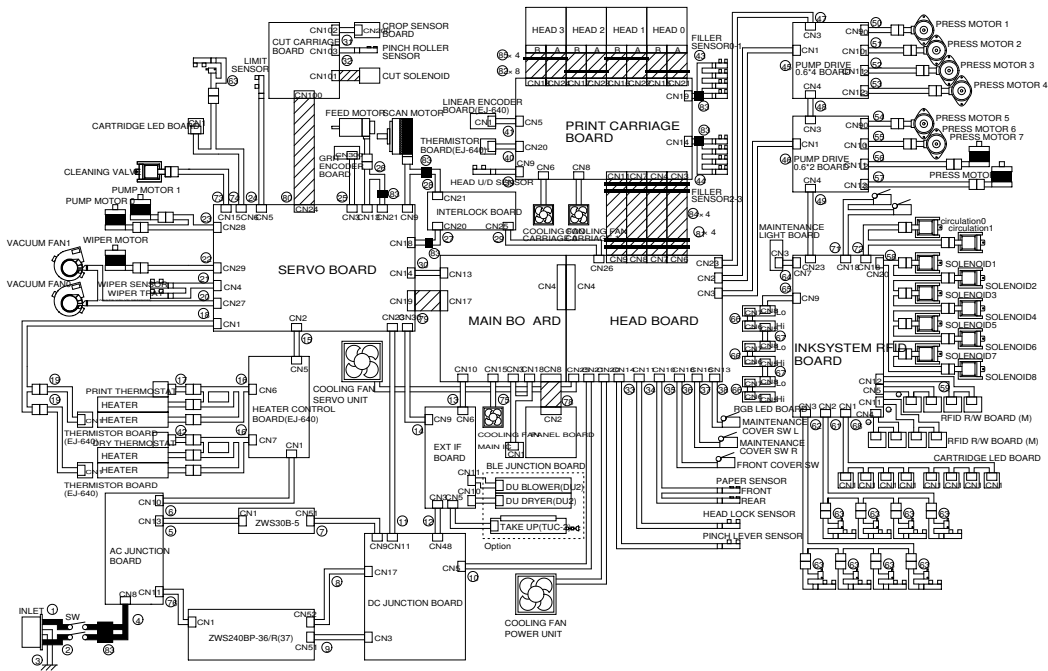
Pos	Code	Description
1	1000014140	SPRING,VALVE BIF-2
1	1000020061	SPRING,VALVE BIF-2TH
2	1000014754	WIPER,HEAD VG-640
3	1000014755	HOLDER,WIPER 2 VG-640
4	1000014762	PLATE,WIPER SENSOR VG-640
5	1000014297	SOLENOID,TDS-08A DC-24V TYPE2
5	1000018523	SOLENOID,TDS-08A DC-24V TYPE2
6	1000015448	FRAME,WIPER SG-540
7	1000014448	STAY,ADJUSTER WIPE R VG-640
8	1000014449	STAY,ADJUSTER WIPE F VG-640
9	1000016841	FRAME,BASE WIPER SG-540_01
10	1000014464	PAD,CLEANER D VG-640
10	1000020059	PAD,CLEANER D VG-640TH
11	1000015455	BASE,CL VALVE SG-540
12	1000014466	TRAY,LIQUID WIPER VG-640
12	1000019760	TRAY,LIQUID WIPER CG2076
13	1000015449	STAY,WIPER SENSOR SG-540
14	1000015451	HOLDER,WIPER MOTOR SG-540
15	1000015186	SPRING,PINCH 930 FJ-540
16	1000005794	BELT,146P2M4-530
17	22565406	DRIVE PULLEY
18	1000018516	MOTOR,103-593-1041
18	22435106	MOTOR,103-593-1041
19	1000000796	BUSH,80F-0503
19	1000018501	BUSH,80F-0503
20	1000011069	SENSOR-INTERRUPTER,OJ-535S-A5
21	1000012701	VALVE,CHOKE XF-640
21	1000019097	VALVE,CHOKE CG2057
101	31019702AS	SCREW SET,BIND P-TIGHT M3*6 3C 100P
102	31089121AS	SCREW SET,PAN M2.3*8 NI+PW 100PCS
103	31149703AS	RING SET,E-RING ETW-4 100 PCS.
104	31149704AS	RING SET,E-RING ETW-6 SUS 100 PCS
105	31179106	SCREW,JACK UP SP-540V
106	31289102AS	CUPSCREW SET,M3*6 NI 50 PCS.
107	31289109AS	CUPSCREW SET,M3*4 NI 100 PCS
108	31289111AS	CUPSCREW SET, M4*6 NI 100 PCS.
109	31409702	SADDLE SET,LOCKING WIRE LES-1010 20P



Pos	Code	Description
1	1000018824	CABLE-ASSY,JUNBI A SJ-1000 T
1	23415212	CABLE-ASSY,JUNBI A SJ-1000
2	1000018825	CABLE-ASSY,JUNBI B SJ-1000 T
2	23415213	CABLE-ASSY,JUNBI B SJ-1000
3	1000018826	CABLE-ASSY,JUNBI G SJ-1000 T
3	23415257	CABLE-ASSY,JUNBI G SJ-1000
4	1000009585	CABLE-ASSY,POWER-AC-JUNC XR-640
5	1000009409	CABLE-ASSY,POWER-AC-DC FH-740
6	1000014521	CABLE-ASSY,POWER-HEATER VG-640
7	1000014568	CABLE-ASSY,POWER-DC5 VG-640
8	1000014549	CABLE-ASSY,SLEEP CTL VG-640
9	1000014569	CABLE-ASSY,POWER-DC37 VG-640
10	1000014574	CABLE-ASSY,POWER-HEAD VG-640
11	1000014527	CABLE-ASSY,POWER -SERVO VG-640
12	1000014550	CABLE-ASSY,POWER EXT IF VG-640
13	1000009968	CABLE-ASSY,EXT IF TU XF-640
14	1000014551	CABLE-ASSY,DU CTL EXT IF VG-640
15	1000014531	CABLE-ASSY,HEATER CTL VG-640
16	1000015620	CABLE-ASSY,HEATER VG-540
17	1000015621	CABLE-ASSY,THERMOSTAT VG-540
18	1000014532	CABLE-ASSY,TH JUNC VG-640
19	1000014097	CABLE-ASSY,THERMISTOR EJ-640
19	1000017237	CABLE-ASSY,THERMISTOR EJ-640 TH
20	1000014533	CABLE-ASSY,FAN JUNC VG-640
21	1000014529	CABLE-ASSY,WIPER SENS VG-640
22	1000014540	CABLE-ASSY,WIPER MTR VG-640
23	1000014536	CABLE-ASSY,PUMP MTR VG-640
24	1000014538	CABLE-ASSY,CUT-CAR ORG VG-640
25	1000014526	CABLE-ASSY,GRIT ENC VG-640
26	1000014525	CABLE-ASSY,MOTOR FEED VG-640
27	1000014511	CABLE-ASSY,SCAN MOTOR 2 VG-640
28	1000014510	CABLE-ASSY,SCAN MOTOR 1 VG-640
29	1000014539	CABLE-ASSY,HEAD-ILOCK VG-640
30	1000014541	CABLE-ASSY,SERVO UART VG-640
31	1000014542	CABLE-ASSY,CROP SENS VG-640
32	1000014571	CABLE-ASSY,P-POS SENS VG-640
33	1000014575	CABLE-ASSY,PINCH SENSOR VG-640
34	1000014576	CABLE-ASSY,PRI-CAR ORG VG-640
35	1000014577	CABLE-ASSY,PAPER-SENS VG-640
36	1000015617	CABLE-ASSY,F-COVER SW VG-540



Pos	Code	Description
37	1000014523	CABLE-ASSY,R-COVER SW VG-640
38	1000015618	CABLE-ASSY,L-COVER SW VG-540
39	1000014528	CABLE-ASSY,H-UD SENS VG-640
40	1000014552	CABLE-ASSY,CARRIAGE TH VG-640
41	1000015609	4CABLE-ASSY,L-ENCODER SG-540
42	1000015622	CABLE-ASSY,THERMOSTAT D VG-540
43	1000014516	CABLE-ASSY,FILLER SENS 1 VG-640
44	1000015610	CABLE-ASSY,FILLER SENS 2 SG-540
45	1000015615	CABLE-ASSY,F-SENS H-P 1 VG-540
46	1000015616	CABLE-ASSY,F-SENS H-P 2 VG-540
47	1000015619	CABLE-ASSY,M-CAN VG-540
48	1000014543	CABLE-ASSY,P-P CAN VG-640
49	1000014544	CABLE-ASSY,P-R CAN VG-640
50	1000014512	CABLE-ASSY,PRESS PUMP 1 VG-640
50	1000017238	CABLE-ASSY,PRESS PUMP 1 VG-640 TH
51	1000014513	CABLE-ASSY,PRESS PUMP 2 VG-640
51	1000017239	CABLE-ASSY,PRESS PUMP 2 VG-640 TH
52	1000014514	CABLE-ASSY,PRESS PUMP 3 VG-640
52	1000017240	CABLE-ASSY,PRESS PUMP 3 VG-640 TH
53	1000014515	CABLE-ASSY,PRESS PUMP 4 VG-640
53	1000017241	CABLE-ASSY,PRESS PUMP 4 VG-640 TH
54	1000014545	CABLE-ASSY,PRESS PUMP 5 VG-640
55	1000014546	CABLE-ASSY,PRESS PUMP 6 VG-640
56	1000014547	CABLE-ASSY,PRESS PUMP 7 VG-640
57	1000014548	CABLE-ASSY,PRESS PUMP 8 VG-640
58	1000014537	CABLE-ASSY,SOLENOID VG-640
59	1000014553	CABLE-ASSY,RFID 3 VG-640
60	1000014554	CABLE-ASSY,RFID 2 VG-640
61	1000014555	CABLE-ASSY,INK UNIT 0 VG-640
61	1000017242	CABLE-ASSY,INK UNIT 0 VG-640 TH
62	1000014556	CABLE-ASSY,INK UNIT 1 VG-640
63	1000014557	CABLE-ASSY,CARTRIDGE UNIT VG-640
63	1000018849	CABLE-ASSY,CARTRIDGE UNIT VG-640 T
64	1000014558	CABLE-ASSY,MAINTENANCE LED VG-640
64	1000018850	CABLE-ASSY,MAINTENANCE LED VG-640 T
65	1000014559	CABLE-ASSY,INSIDE LED 0 VG-640
66	1000014560	CABLE-ASSY,INSIDE LED 1 VG-640
66	1000018851	CABLE-ASSY,INSIDE LED 1 VG-640 T
67	1000014561	CABLE-ASSY,INSIDE LED 2 VG-640
67	1000018852	CABLE-ASSY,INSIDE LED 2 VG-640 T



Pos	Code	Description
68	1000014562	CABLE-ASSY,LED JUNCTION VG-640
69	1000014563	CABLE-ASSY,RFID 1 VG-640
69	1000017243	CABLE-ASSY,RFID 1 VG-640 TH
70	1000014564	CABLE-ASSY,RFID 0 VG-640
70	1000017244	CABLE-ASSY,RFID 0 VG-640 TH
71	1000014572	CABLE-ASSY,INKTANK SW VG-640
72	1000014573	CABLE-ASSY,CIRCULATION VG-640
73	1000014565	CABLE-ASSY,CLEANING VALVE VG-640
74	1000014566	CABLE-ASSY,CARTRIDGE LED VG-640
75	1000014570	CABLE-ASSY,BLUETOOTH VG-640
76	1000008353	CABLE-ASSY,POWER 27V LEF-12
77	1000015157	CABLE,GST-100-R2M3
78	1000014623	CABLE-CARD,24P1 910L BB HIGH-V B
79	1000014624	CABLE-CARD,22P1 360L BB HIGH-V
80	1000015623	CABLE-CARD,15P1 3200L BB HIGH-V
81	1000015624	CABLE-CARD,40P1 2650L BB HIGH-V
83	1000006283	FILTERE,TFT-081610N
84	1000015156	FILTER(E),FRCR44-12-1.3
85	1000015262	FILTER(E),FPCR17-9-0.5