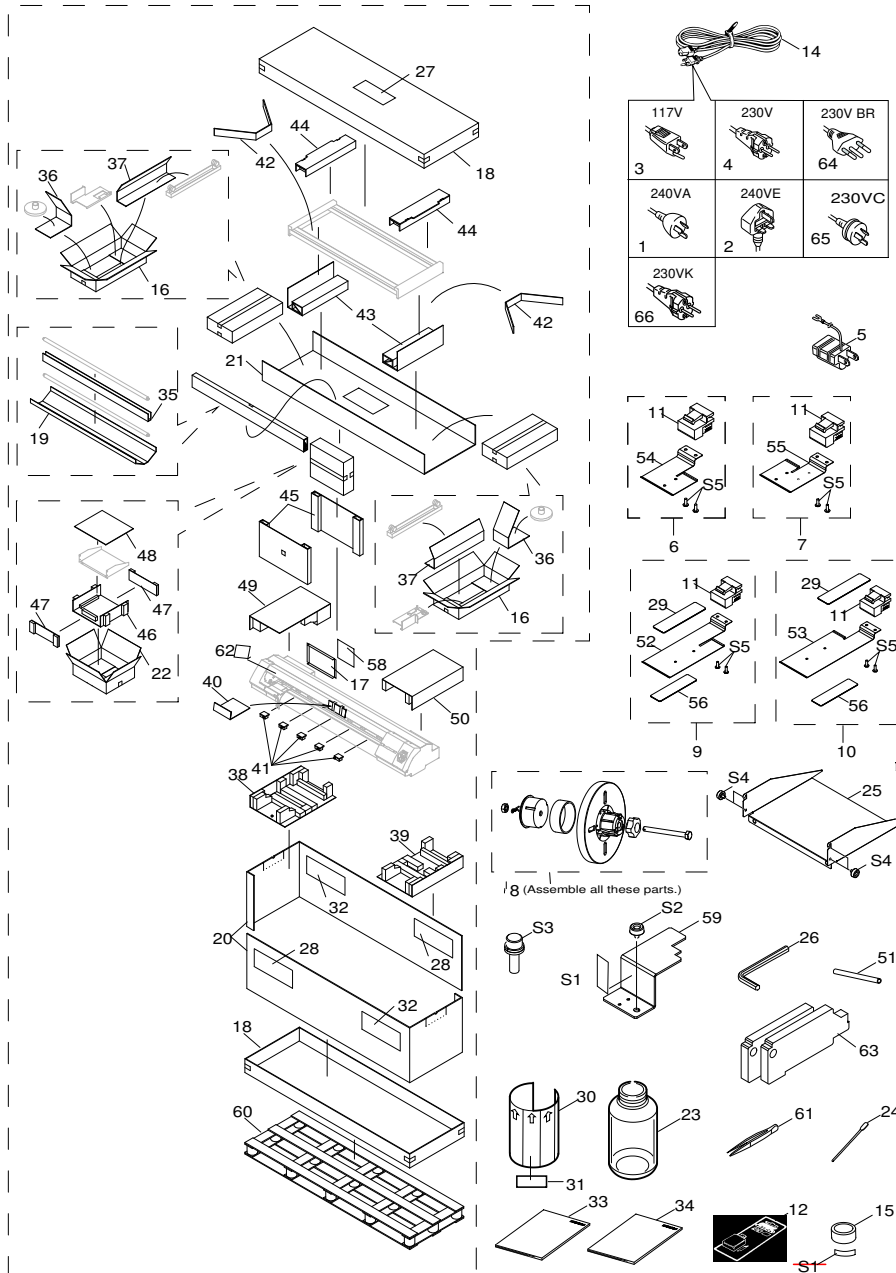
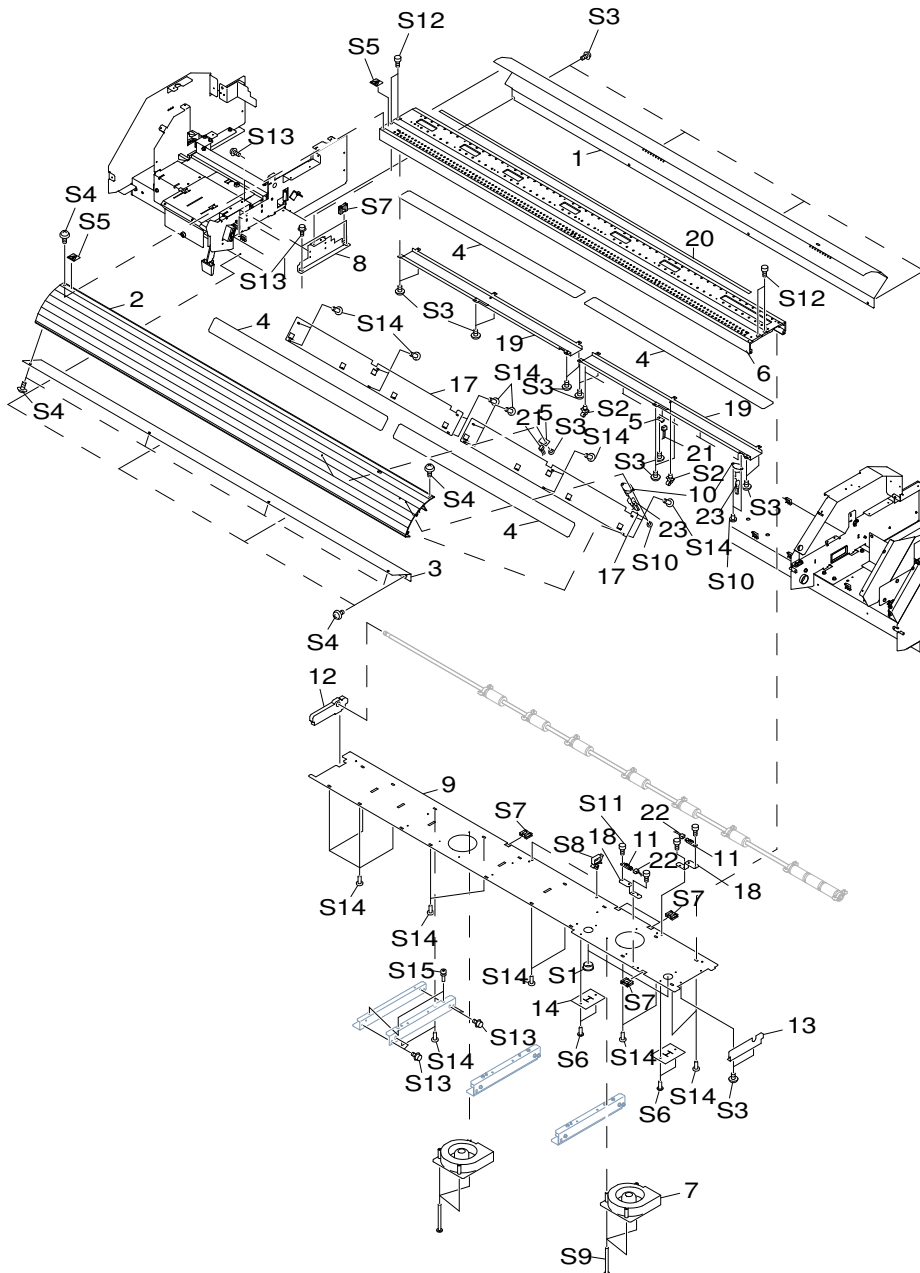


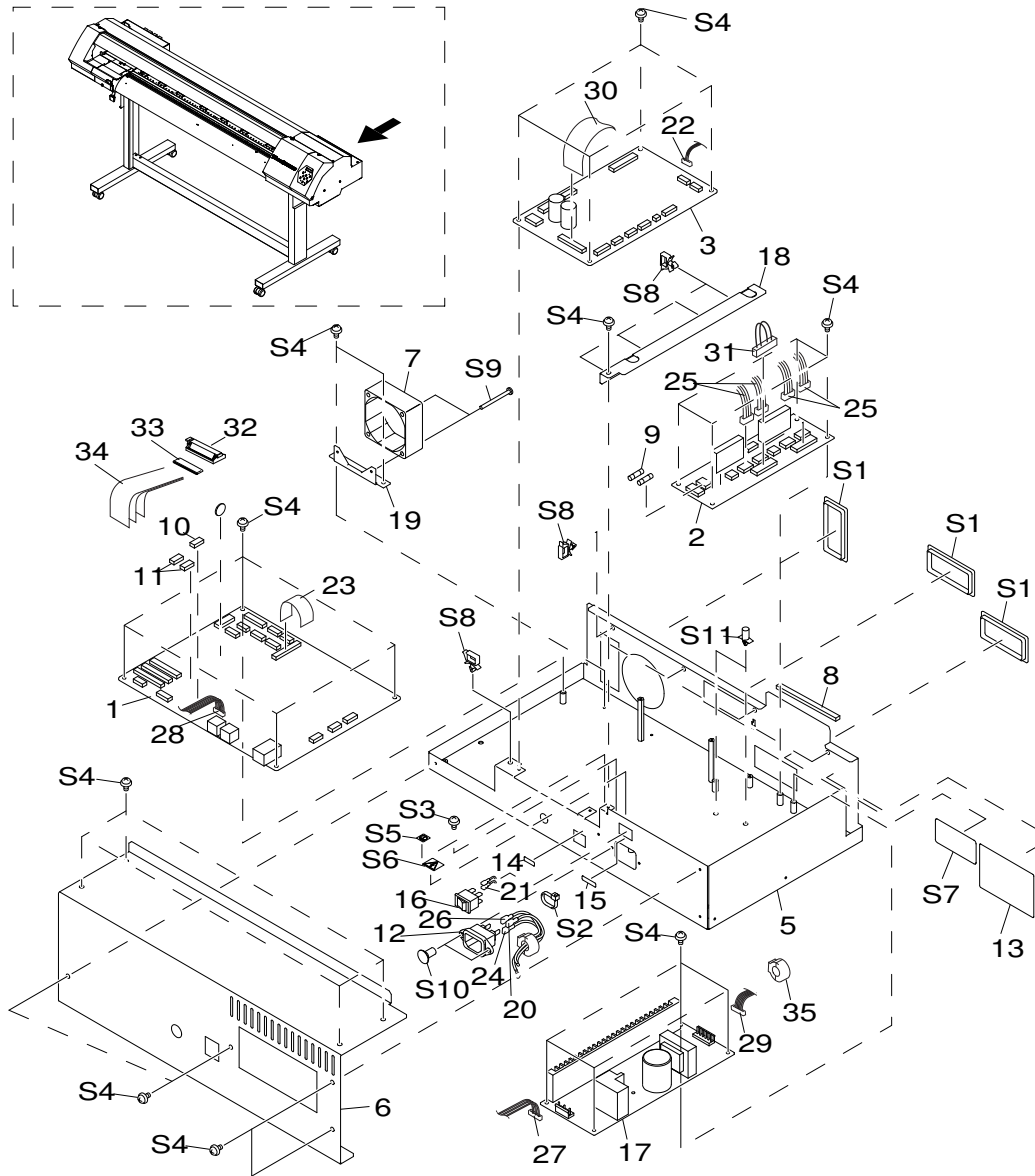
Pos	Code	Description
1	23495124	AC CORD 3ASL100 240VA 10A SAA
2	13499111	AC CORD H05VV-F 240VE 10A S
3	13499109	AC CORD SJT 117V 10A 3PVC
4	23495125	AC-CORD H05VV 230V 10A S
5	13499209	ADAPTER PLUG (100V)
6	22805575	ASSY,SHORT MEDIA CLAMP L SP-540
7	22805576	ASSY,SHORT MEDIA CLAMP R SP-540
8	100003083	ASSY,FLANGE GUIDE VP-540
9	6700469040	ASSY,MEDIA CLAMP L LONG VP-540
10	6700469050	ASSY,MEDIA CLAMP R LONG VP-540
11	1000015117	BASE,CLAMP MEDIA SP-300_01
11	22845112	BASE,MEDIA CLAMP SP-300
12	11849102	BLADE,OLFA AUTO CUTTER XB10
14	23495117	CABLE-AC,VCTF 100V 12A 3P-S
15	22335143	CAP,EPDM
16	1000002698	CARTON,ACCESSORY VP-540
17	22605305	CARTON,COVER INK SP-300
18	1000002688	CARTON,COVER VP-540
19	1000002699	CARTON,SHAFT SHEET VP-540
20	1000005273	CARTON,SLEEVE RS-540
21	1000002694	CARTON,STAND VP-540
22	1000003077	CARTON,TRAY 440 VP-540
23	11369115	CASE,PP BOTTLE
24	1000003138	SET,CLEANER STICK TX712A 10PCS.
24	1000007172	CLEANER SET,STICK TX712A 100PCS
24	ST-037	CLEAN STICK TX712A
25	1000002650	COVER,440CC I/C VP-540
26	22565682	HEXAGONAL WRENCH 5
27	22535532	LABEL,CARTON CARE #LA762
28	1000006248	LABEL,CARTON SP-300I#LA1145
28	1000006249	LABEL,CARTON SP-540I#LA1146
30	22535144	LABEL,DRAIN BOTTLE #LA29
31	1000001099	LABEL,HARMFUL FIRE #LA915
32	22535357	LABEL,USE FORKLIFT #LA435
33	1000006147	MANUAL,INS JP SP-300I MAX
33	1000006149	MANUAL,INS EN SP-300I MAX
34	1000006146	MANUAL,USE JP SP-300I COMMON
34	1000006148	MANUAL,USE EN SP-300I COMMON
35	1000003030	PAD, SHAFT SHEET VP-540
36	1000002968	PAD,ACCESSORY VP-540



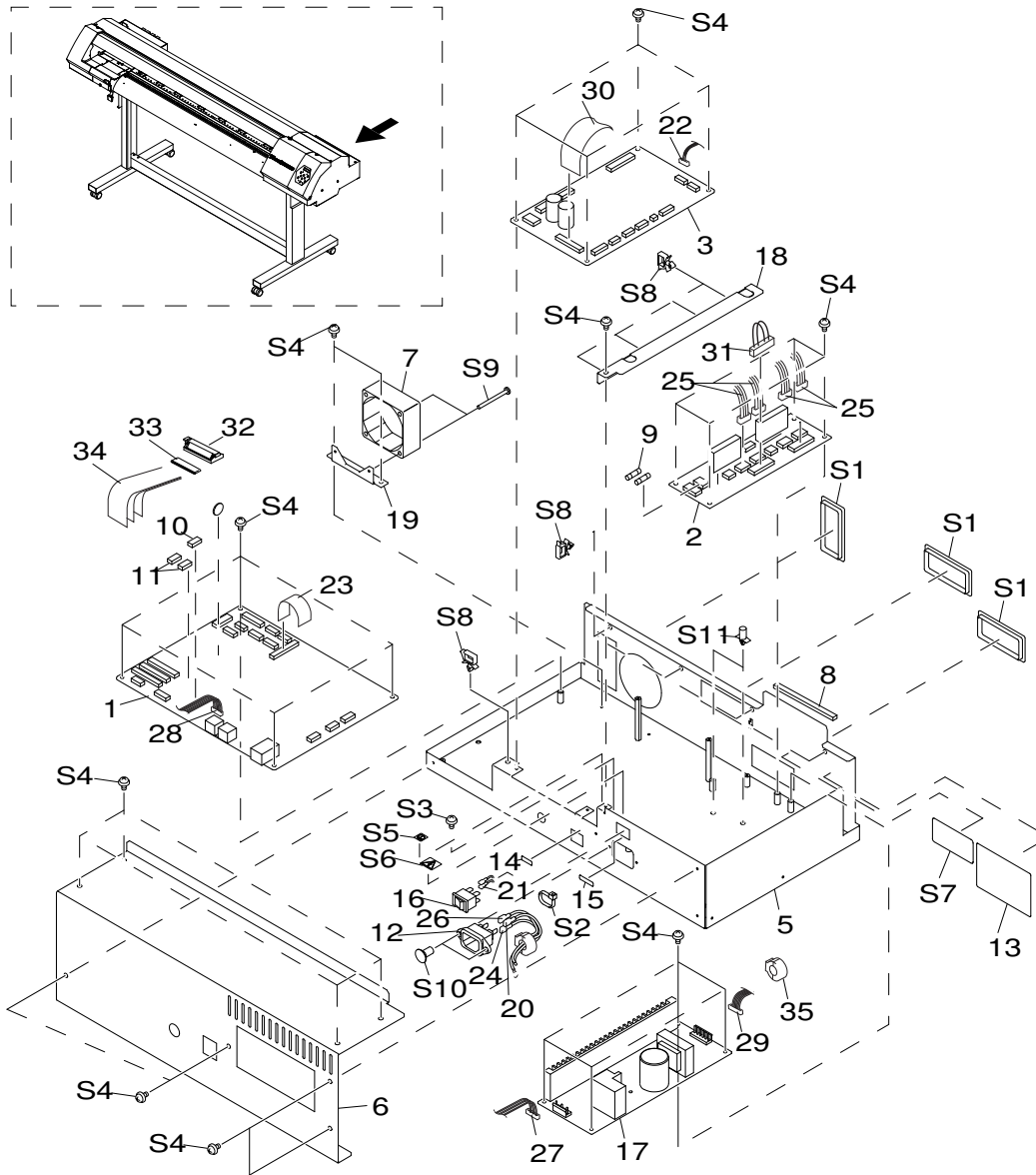
Pos	Code	Description
37	1000003111	PAD,BASE STAND VP-540
38	1000002690	PAD,L-LEFT VP-540
39	1000005216	PAD,L-RIGHT RS-540
40	1000003110	PAD,RAIL UPPER VP-540
41	21545178	PAD,RAIL SPACER SP-300
42	1000002697	PAD,SPACER STAND VP-540
43	1000002695	PAD,STAND L/R VP-540
44	1000002696	PAD,STAND UPPER VP-540
45	1000005217	PAD,SUPPORT STAND RS-540
46	1000003078	PAD,TRAY 440 A VP-540
47	1000003079	PAD,TRAY 440 B VP-540
48	1000003080	PAD,TRAY 440 C VP-540
49	1000005274	PAD,U-LEFT RS-540
50	1000005275	PAD,U-RIGHT RS-540
51	22155133	PIPE,TOOL D9*L150 FJ-540
52	22055691	PLATE,LONG CLAMP MEDIA L SP-540V
53	22055693	PLATE,LONG CLAMP MEDIA R SP-540V
54	22055692	PLATE,SHORT CLAMP MEDIA L SP-540V
55	22055694	PLATE,SHORT CLAMP MEDIA R SP-540V
56	100001602	SHEET,CLAMP MEDIA XC-540
57	1000006150	STICKER,REP JP/EN SP-300I
58	22735135	STICKER,SUP JP/EN SP-300
59	1000002604	STOPPER,CARRIAGE VP-540
60	1000005276	TRAY,SKID RS-540
61	12569656	TWEEZERS PTS-01
62	1000004192	PAD,COVER FRONT VP-540
63	1000002989	PAD,DUMMY CARTRIDGE SP-540V
63	1000008644	PAD,DUMMY CARTRIDGE VS-640
64	1000006571	CABLE-AC,3P 117/230V BR 2.5M
65	1000006571	CABLE-AC,3P 117/230V BR 2.5M
66	1000010999	CABLE-AC, H05VV 230V 10A KC
S1	31279201	LABEL,REPACKAGE #LA16
S2	31139103	PLAPOINT,FE4*6 WH
S3	31049157	SCREW,CAP M6*20 3CBC+PW+SW
S4	31139104	SCREW,PLAPOINT M4*6 BK FE
S5	31229103AS	SCREW SET,TRUSS M2*6 NI 100 PCS



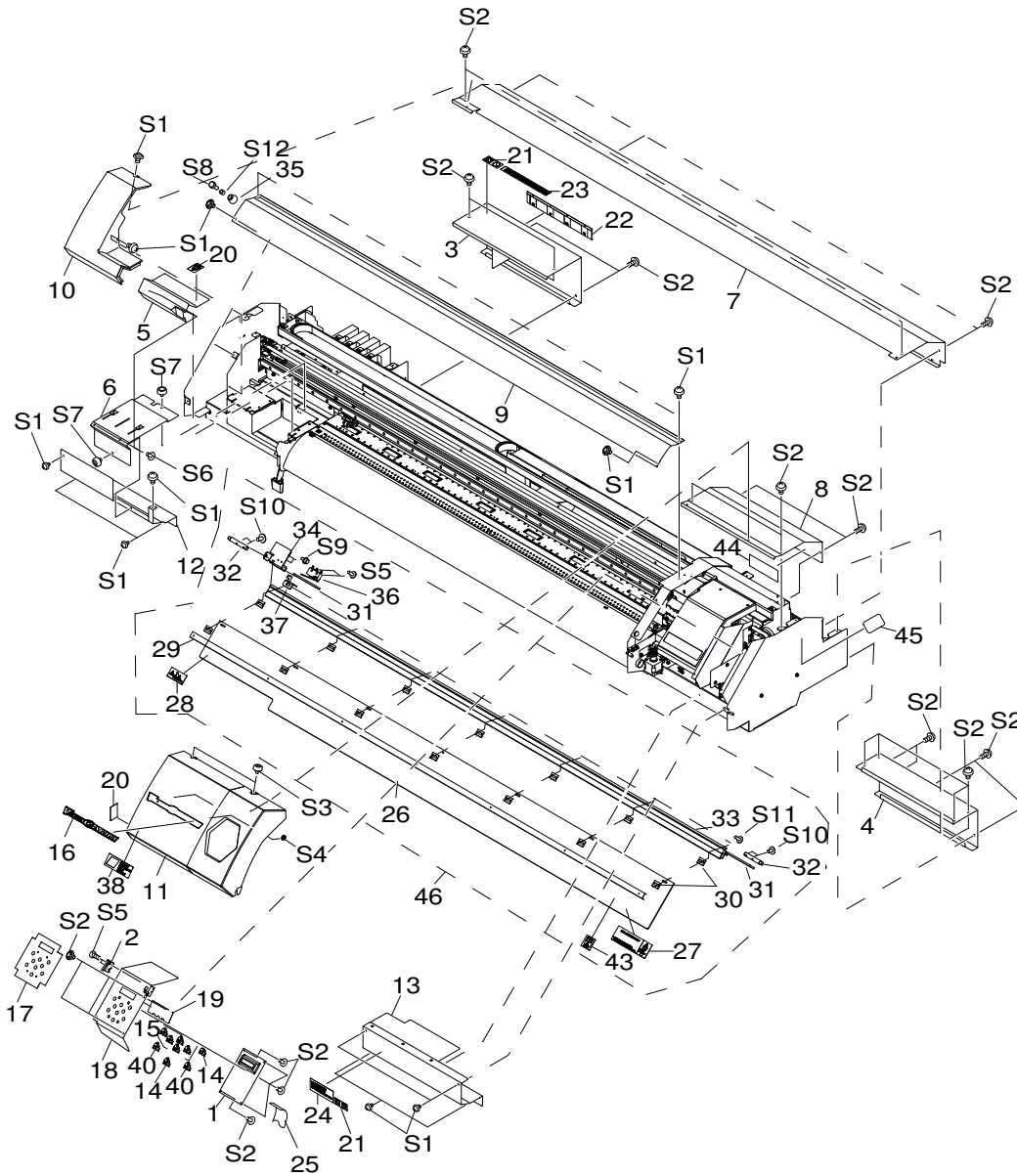
Pos	Code	Description
1	1000004795	APRON,B RS-540
2	1000002148	APRON,F AL VP-540
3	1000005086	APRON,F UNDER RS-540
4	1000002165	ASSY,CORD HEATER VP-540
5	6700469060	ASSY,THERMISTOR BOARD SERVICE
5	W701181270	ASSY,CARTRIDGE IC BOARD VP-540
6	1000002147	BED,VP-540
7	1000000764	FAN,A35577-55ROL
8	1000002584	FRAME,SIDE BED L VP-540
9	1000002541	PLATE,SHUTTER VP-540
10	1000013820	SENSOR,03EN 9572 A65
10	15099124	SENSOR,US-602SXTLAS 65OFF 50ON
11	15099115	SENSOR-INTERRUPTER GP2A25NJ
12	1000002600	SHUTTER,BED L VP-540
13	1000002599	SHUTTER,BED R VP-540
14	21625103	SHUTTER,HEATER CORD SP-300
17	1000002606	STAY,DRY HEATER VP-540
17	1000009776	STAY,DRY HEATER VP-540_01
18	1000002585	STAY,PAPER SENSOR VP-540
19	1000002590	STAY,PRINT HEATER VP-540
20	1000002598	PAD,CUTTER VP-540
21	1000002181	CABLE-ASSY,THERMISTOR VP-540
22	1000002175	CABLE-ASSY,PAPER SENSOR VP-540
23	1000002184	CABLE-ASSY,THERMOSTAT VP-540
S1	31029101	BUSH,NB-19
S2	31329501AS	CLAMP SET,PUSH MOUNT RT30SSF5 20P
S3	31289109AS	CUPSCREW SET,M3*4 NI 100 PCS
S4	31289102AS	CUPSCREW SET,M3*6 NI 50 PCS.
S5	31279106	LABEL,CAUTION HOT SURF NO.778
S6	31299102AS	RIVET SET,NYLON P2655B 20 PCS.
S7	31409702	SADDLE SET,LOCKING WIRE LES-1010 20P
S8	3000000560	SADDLE,LOCKING WIRE LWS-0711Z_TH
S8	31409801AS	SADDLE,LOCKING WIRE LWS-0711Z 20P
S9	31019124	SCREW SET,BINDING M3*35 NI 50 PCS
S10	31019115AS	SCREW SET,BINDING M3*4 3CBC 100 PCS
S11	31049170AS	SCREW SET,CAP M3*8 NI 50 PCS.
S12	31049173AS	SCREW SET,CAP M4*10 NI 50 PCS.
S13	31049169AS	SCREW SET,CAP M4*8 3CBC+PW 20PCS
S14	31019703	SCREW,BINDING P-TIGHT M3*8 3C 100P
S15	31179106	SCREW,JACK UP SP-540V



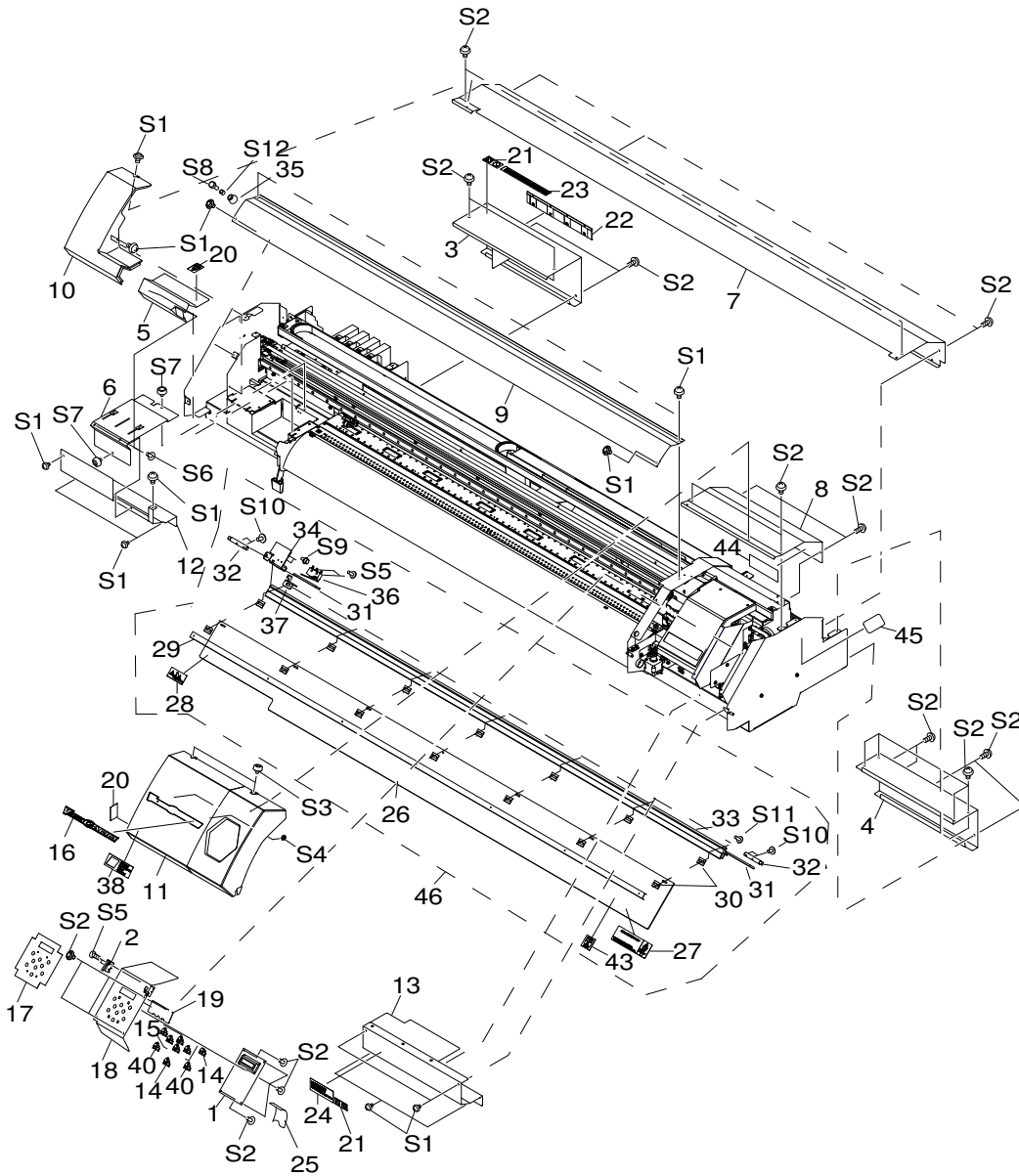
Pos	Code	Description
1	6701189010	ASSY,MAIN BOARD SP-300I
2	W701181220	ASSY,POWER BOARD VP-540
3	1000004994	ASSY,SERVO BOARD RS-540
4	15009101	BATTERY CR2032
5	1000004995	CHASSIS,RS-540
6	1000005165	COVER,CHASSIS RS-540
7	1000006174	FAN,9A0624H414
8	1000003085	FILTER(E),CHASSIS SHIELD VP-540
9	12559105	FUSE,5X20 021706.3MXP 6.3A/250V
11	1000000659	FUSE,01543.15DR
11	1000003015	FUSE,1543.15DR
12	13429702	INLET AC P01CF01 15A250V
13	1000013740	LABEL,CAUTION VOLTAGE#LA2135
13	22535257	LABEL,CAUTION VOLTAGE #LA167
14	1000002682	LABEL,LAN VP-540#LA964
15	22535117	LABEL,POWER CM-500 NO.893
16	13129170	POWER SW AJ7201B
17	1000006130	POWER UNIT,LEB150F-0536-XRLD A
18	1000004996	STAY,CABLE RS-540
19	1000002566	STAY,CHASSIS FAN VP-540
20	1000002189	CABLE-ASSY,JUNBI A VP-540
21	23415116	CABLE-ASSY,JUNBI D SP-300
22	23415117	CABLE-ASSY,POWER MAIN SP-300
23	23475197	CABLE CARD 25P1 105L BB FJ-540
24	23415268	CABLE-ASSY AC GROUND GREEN SP-540
25	1000002183	CABLE-ASSY,HEATER VP-540
26	1000002190	CABLE-ASSY,JUNBI B VP-540
27	1000002173	CABLE-ASSY,JUNBI E VP-540
28	1000004961	CABLE-ASSY,POWER SERVO RS-540
29	1000002180	CABLE-ASSY,RELAY JUNCTION VP-540
30	23475237	CABLE-CARD 40P1 2070L BB HIGH-V
31	1000002043	CABLE-ASSY,230V SELECTOR XC-540
31	1000002044	CABLE-ASSY,117V SELECTOR XC-540
32	11769118	CLAMP,FCM2-S6-14
33	1000011050	FILTER(E),FRCN40-12-1.7-K
34	23475240	CABLE CARD,36P1 2670L BB HIGH-V
35	12399353	FILTER(E) TFT-081813N F-540
S1	31029106	BUSH,SQUARE SB-6025
S2	31329601AS	CLAMP SET,INSULOK T-18S 100 PCS.
S3	31289111AS	CUPSCREW SET, M4*6 NI 100 PCS.



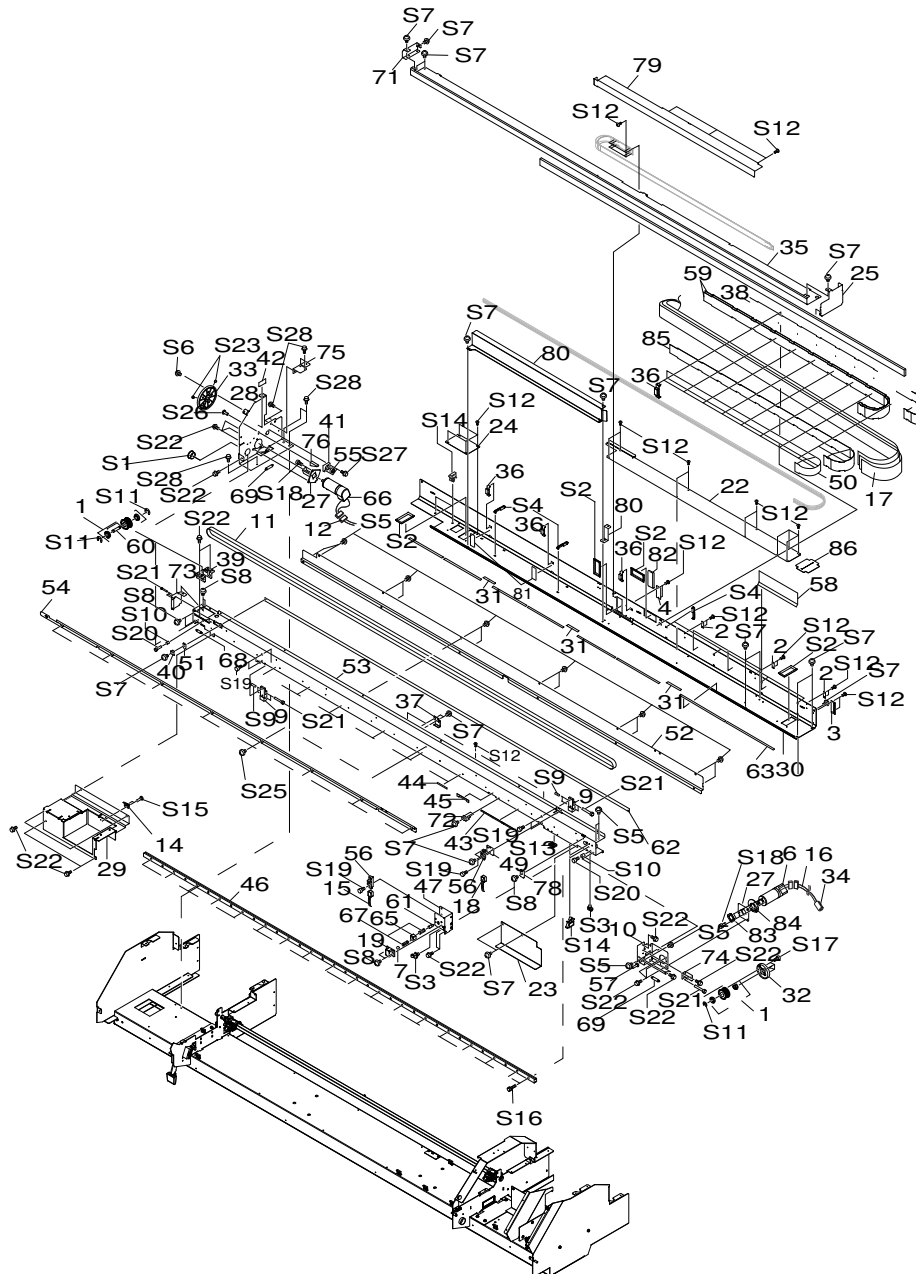
Pos	Code	Description
S4	31289109AS	CUPSCREW SET,M3*4 NI 100 PCS
S5	31279116	LABEL,EARTH MARK-1 NO.E-580
S6	31279121	LABEL,FLASH-LIGHTING NO.E-582
S7	31279191	LABEL,WARNING FUSE REPLACE #347
S8	3000000560	SADDLE,LOCKING WIRE LWS-0711Z_TH
S8	31409801AS	SADDLE,LOCKING WIRE LWS-0711Z 20P
S9	31019124	SCREW SET,BINDING M3*35 NI 50 PCS
S10	31289105AS	CUPSCREW SET, M3*6 3CBC 100 PCS
S11	31369102	SPACER,PCB SUPPORT PCB-8S



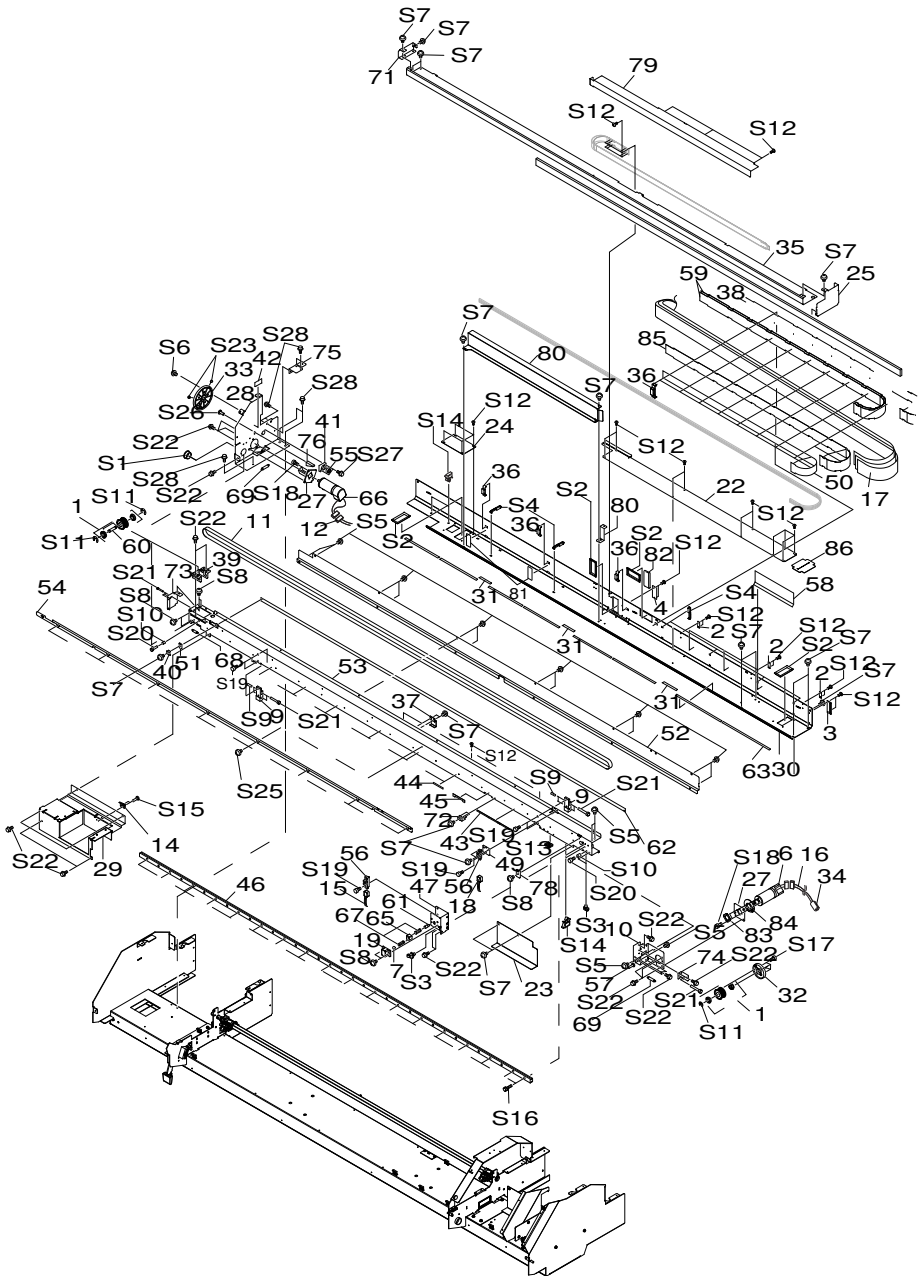
Pos	Code	Description
1	W701181211	ASSY,PANEL BOARD VP-540
2	23505834	CABLE-ASSY,MAINT-COVER SW FJ-540
3	1000002608	COVER,INK CARTRIDGE VP-540
4	1000005165	COVER,CHASSIS RS-540
5	1000004738	COVER,MAINTENANCE RS-540
6	1000006236	COVER,MAINTENANCE INKHEAD 2 VP-540I
7	1000005552	COVER,RAIL B VP-540I
8	1000005553	COVER,RAIL B-RIGHT VP-540I
9	1000006238	COVER,RAIL F SP-540I
10	1000004737	COVER,SIDE L RS-540
11	1000005554	COVER,SIDE R VP-540I
12	1000006239	COVER,UNDER L 2 VP-540I
13	1000006240	COVER,UNDER R 2 VP-540I
14	1000012564	KEY,TOP CLEAR GS-24
14	22495102	KEY TOP,CLEAR GX-24
15	1000012563	KEY,TOP WHITE GS-24
15	22495101	KEY TOP,WHITE GX-24
16	1000006250	LABEL,EMBLEM LOGO VERSACAMM 3
17	1000006253	SHEET,PANEL SP-300I
18	1000002625	STAY,PANEL VP-540
19	1000003029	SHEET,LCD VP-540
20	22535347	LABEL,CAUTION PINCH-2 #LA423
21	1000001099	LABEL,HARMFUL FIRE #LA915
22	22535441	LABEL,SET INK SP-300 #LA634
23	1000001620	LABEL,USE ECO-SOL MAX#LA924
24	22535443	LABEL,MEDIA CLAMP SP-300 #LA636
25	23475212	CABLE-CARD,24P1 600L BB
26	1000004197	PLATE,COVER F VP-540
27	1000005697	LABEL,CAUTION RS-540#LA1089
28	22535286	LABEL,CAUTION COVER #LA265
29	1000004196	PLATE,NUT COVER F VP-540
30	1000020064	WASHER,COVER FJ-50TH
30	21425110	WASHER,COVER FJ-50
31	1000004199	PAD,STOPPER VP-540
32	1000004198	SHAFT,COVER F VP-540
33	1000004195	FRAME,COVER F VP-540
34	1000004361	COVER,INT SW VP-540_01
35	11879107	ABSORBER TK-12
36	1000004205	CABLE-ASSY, FRONT-COVER SW VP-540
37	1000004200	HOOK,INT SW VP-540



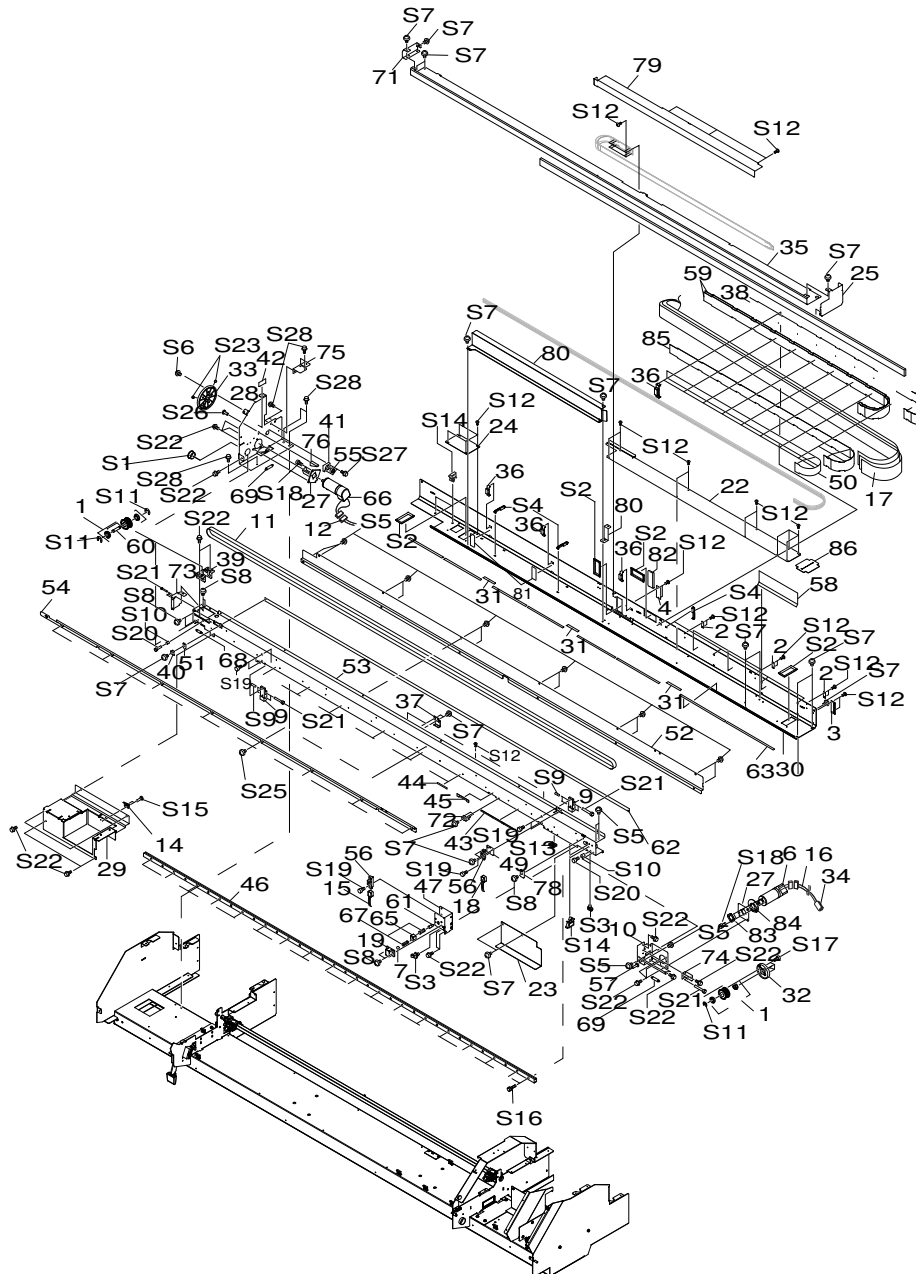
Pos	Code	Description
38	1000004160	LABEL, REFLECTION XC-540#LA1041
40	1000004754	KEY TOP, GREEN RS-540
42	22535460	LABEL, ENERGY STAR COLOR #LA668
43	1000003489	LABEL, MARK ECO#LA1014
44	1000003089	SHEET, FRAME SUPPORT RAIL VP-540
45	1000013175	LABEL, INDONESIA THA#LA2044(for Indonesia only)
46	1000004743	ASSY, COVER FRONT RS-540
S1	31289111AS	CUPSCREW SET, M4*6 NI 100 PCS.
S2	31289109AS	CUPSCREW SET, M3*4 NI 100 PCS
S3	31139103	PLAPOINT, FE4*6 WH
S4	31149601	RING SET, PUSH-ON CS CSTW-3 100 PCS
S5	31019149	SCREW SET, BINDING M2.3*8 3CBC 100PCS
S6	31019703	SCREW, BINDING P-TIGHT M3*8 3C 100P
S7	31139104	SCREW, PLAPOINT M4*6 BK FE
S8	31049107AS	SCREW SET, CAP M3*12 3CBC 20 PCS
S9	31049169AS	SCREW SET, CAP M4*8 3CBC+PW 20PCS
S10	31289102AS	CUPSCREW SET, M3*6 NI 50 PCS.
S11	31289112AS	CUPSCREW SET, M3*10 NI 100 PCS.
S12	31029816AS	BUSH SET, ROLL 3*4 3C 100PCS.



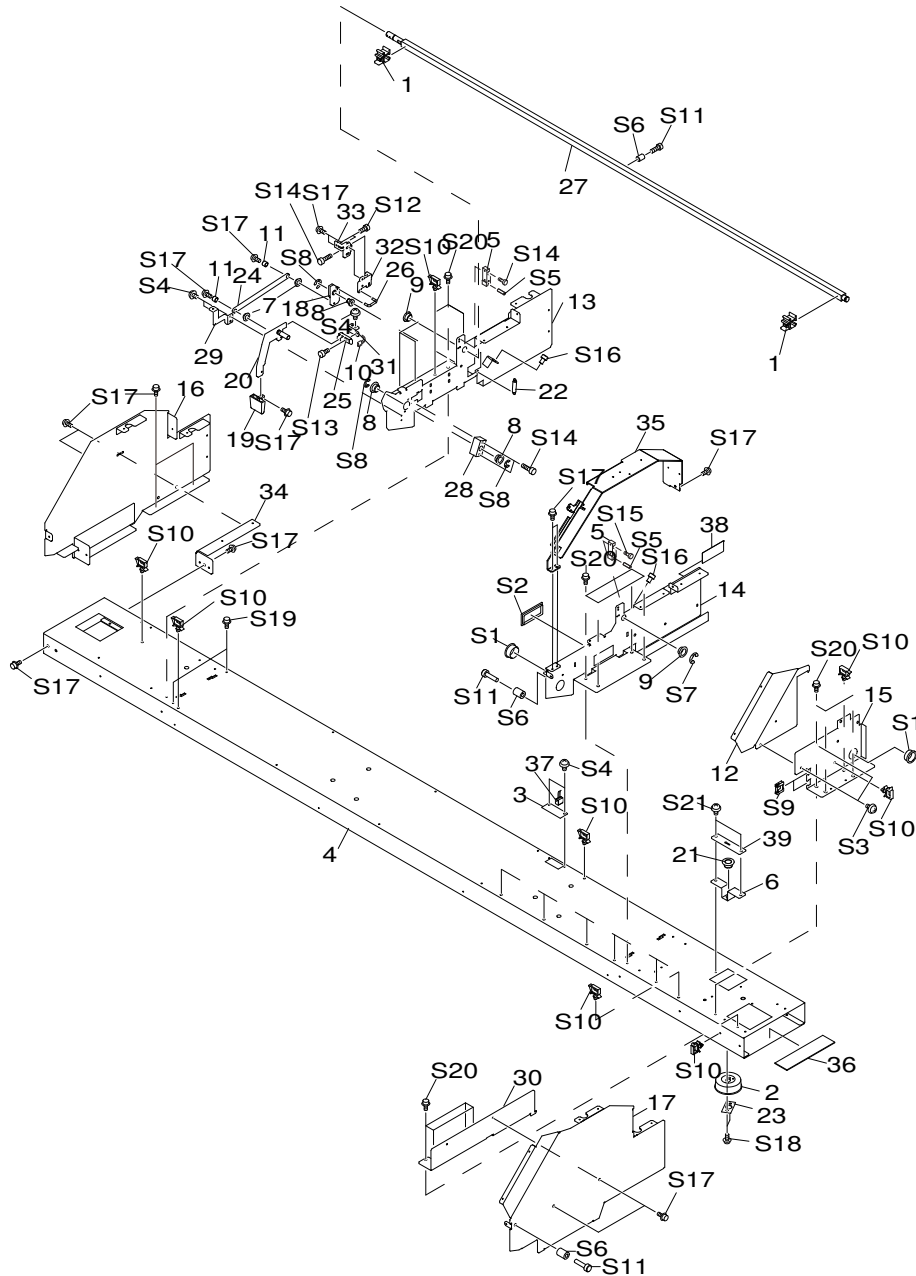
Pos	Code	Description
1	6700469030	ASSY,PULLEY VP-540
2	W701181290	ASSY,FLEX2 VP-540
3	W7011812A0	ASSY,FLEX3 VP-540
4	W7004612B0	ASSY,FLEX3 VP-540
6	6700469020	ASSY,SCAN MOTOR VP-540
7	11869103	BALL,4MM
9	100002589	BASE,RAIL VP-540
10	100002533	BASE,SCAN DRIVE VP-540
11	100002547	BELT,150S2M2153LW-C
12	23415124	CABLE ASSY,GRIT MOTOR SP-300
14	23415114	CABLE ASSY,MNT. COVER SW SP-300
15	100002178	CABLE-ASSY,PRI-CAR ORG VP-540
16	100002188	CABLE-ASSY,SCAN MOTOR VP-540
17	23475240	CABLE CARD,36P1 2670L BB HIGH-V
18	100002167	CABLE-ASSY,CUT-CAR ORG VP-540
19	1000016171	CASE,LOCK CJ-70_02
19	21365103	CASE,LOCK CJ-70
22	100002708	COVER,INK CARTRIDGE FLEX VP-540
23	100002647	COVER,INNER VP-540
24	100003037	COVER,JUNCTION BOARD VP-540
25	100002710	COVER,RAIL SIDE VP-540
27	100003823	FLANGE,MOTOR SCAN VP-540
28	100002552	FRAME,FEED MOTOR VP-540
29	1000006244	FRAME,SUPPORT AUTO CUTTER 2 VP-540I
30	1000005176	FRAME,SUPPORT RAIL RS-540
31	100003086	FILTER(E),RAIL SHIELD VP-540
32	1000001905	GEAR,H187S20(B8)
33	21685128	GEAR H300 S10(B6C16POM)
34	100003084	FILTER(E),SFT-36SN
35	100005503	GUIDE,CUT CABLE VP-540_01
36	100003293	GUIDE,TUBE TYPE3 VP-540
37	100002603	HOLDER,BACKUP SHAFTSQUARE VP-540
38	100005174	HOLDER,CABLE RS-540
39	100001555	HOLDER,IDLE PULLEY XC-540
40	21655131	HOLDER,LINEAR SCALE CJ-70
41	22115121	HOUSING,R-BEARING FRAME FJ-540
42	22535287	LABEL,CAUTION CARRIAGE #LA266
43	100002971	LABEL,G-ROLLER 170 VP-540 #LA978
44	100002970	LABEL,G-ROLLER 50 VP-540 #LA977
45	100002685	LABEL,PINCH ROLL VP-540#LA968



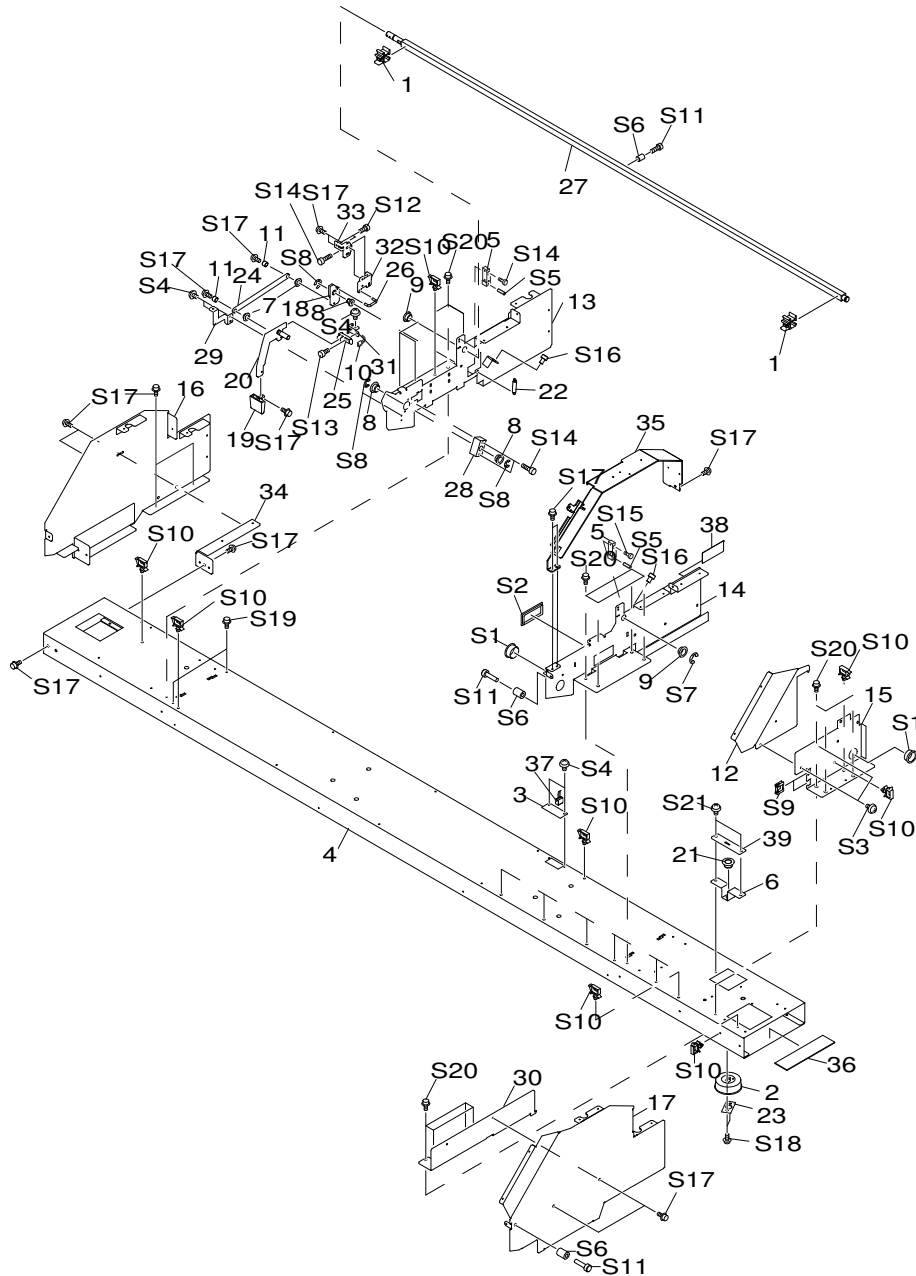
Pos	Code	Description
46	1000002145	L-BEARING,SSR15XW1GGE/W2GE+2050L
47	1000002535	LOCK,STAY VP-540
49	1000002581	PLATE,CUT ORIGIN VP-540
50	1000002612	PLATE,HOLDER CABLE VP-540
51	22055316	PLATE,LINEAR SCALE CJ-70
52	1000002615	PLATE,RAIL REAR VP-540
53	1000005171	RAIL,GUIDE RS-540
54	1000002543	RAIL,LINEAR SCALE VP-540
55	22175870	BEARING 10-19ZZ
56	15229506	SENSOR INTERRUPTER,GP1A05A5
57	1000001480	SHAFT,DRIVE PULLEY XC-540
58	1000003089	SHEET,FRAME SUPPORT RAIL VP-540
59	1000005175	SHEET,HOLDER CABLE RS-540
60	1000001479	SHAFT,IDLE PULLEY XC-540
61	1000012944	SHAFT,LOCK CJ-70
61	22295117	SHAFT,LOCK CJ-70
62	1000002544	SHEET,LINEAR SCALE VP-540
63	1000002709	SHEET,RAIL UNDER VP-540
65	1000016170	SLIDER,LOCK CJ-70_02
65	22185101	SLIDER,LOCK CJ-70
66	7876709020	ASSY,FEED MOTOR SP-540V
67	22175134	SPRING,A CJ-70
68	22175122	SPRING,BACK UP PNC-960
69	22175157	SPRING,C P-ROLLER CM-500
71	1000002602	STAY,GUIDE FLEX VP-540
72	22715469	STAY,HOLD SHAFT SQUARE SP-540V
73	1000002597	STAY,RAILGUIDE L VP-540
74	1000002534	STAY,SHAFT DRIVE PULLEY VP-540
74	1000020056	STAY,SHAFT DRIVE PULLEY VP-540TH
75	1000002554	STAY,SUPPORT RAIL L VP-540
76	22135346	STOPPER,CAM CM-500
78	22135441	STOPPER,LINEAR SCALE FJ-540
79	1000003036	SUPPORT,CUT CABLE VP-540
80	1000004142	SUPPORT,GUIDE CABLE TYPE2 VP-540
81	1000003151	PAD,GUIDE TUBE VP-540
82	1000011050	FILTER(E),FRCN40-12-1.7-K
83	1000003821	SPACER,FLANGE VP-540
84	1000003822	BASE,FLANGE VP-540
85	1000005271	HOLDER,CABLE F RS-540
86	1000003374	PLATE,INK CARTRIDGE FLEX VP-540



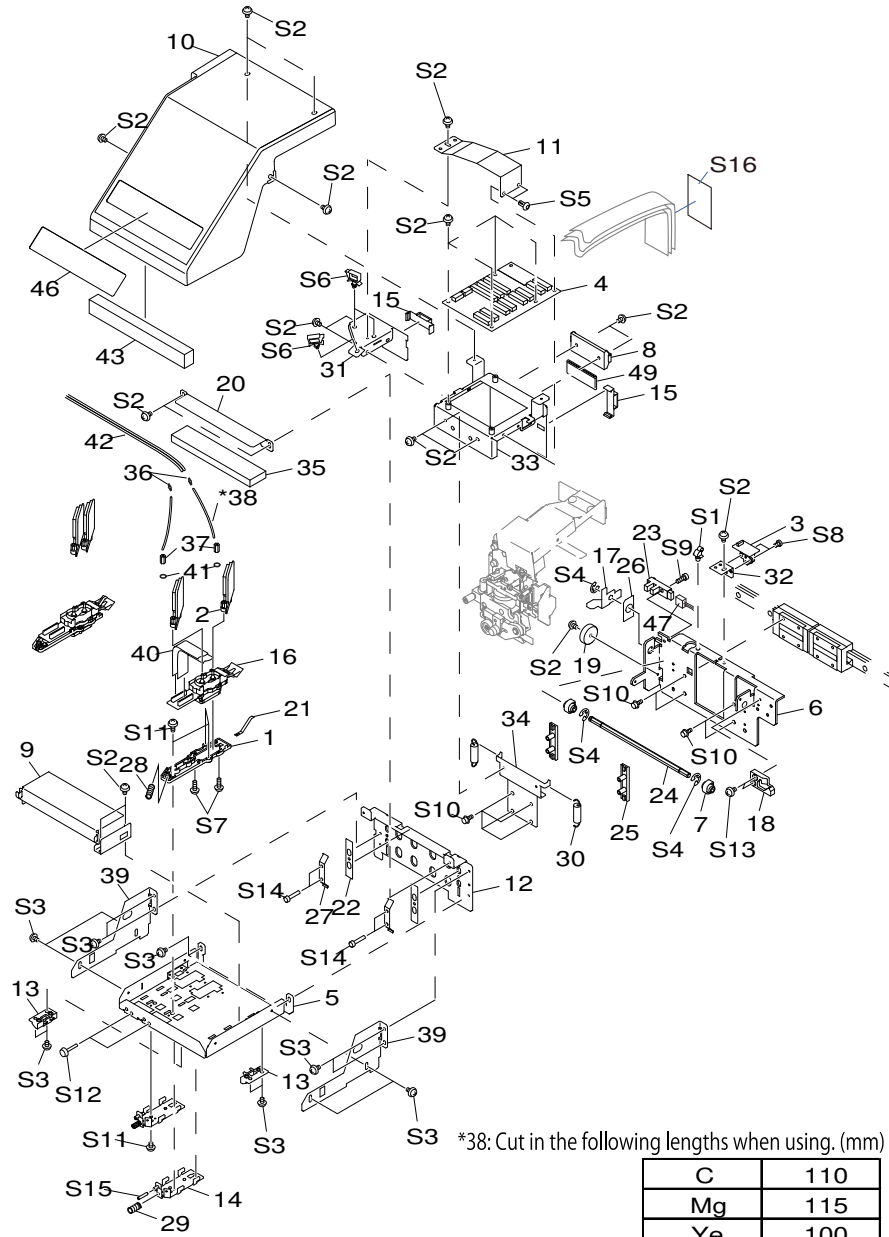
Pos	Code	Description
S1	31029101	BUSH,NB-19
S2	31029106	BUSH,SQUARE SB-6025
S3	31329501AS	CLAMP SET,PUSH MOUNT RT30SSF5 20P
S4	3000000033	CLAMP,WIRE PLESS RFC-45VO
S5	31289111AS	CUPSCREW SET, M4*6 NI 100 PCS.
S6	31289112AS	CUPSCREW SET,M3*10 NI 100 PCS.
S7	31289109AS	CUPSCREW SET,M3*4 NI 100 PCS
S8	31289102AS	CUPSCREW SET,M3*6 NI 50 PCS.
S9	31119904	PIN,SPRING 2.5*8 SUS STRAIGHT 50 PCS
S10	31129102	PIPE SET,POLYCA 4*8*10 20PCS
S11	31149704AS	RING SET,E-RING ETW-6 SUS 100 PCS
S12	31299102AS	RIVET SET,NYLON P2655B 20 PCS.
S13	31409702	SADDLE SET,LOCKING WIRE LES-1010 20P
S14	3000000560	SADDLE,LOCKING WIRE LWS-0711Z_TH
S14	31409801AS	SADDLE,LOCKING WIRE LWS-0711Z 20P
S15	31019149	SCREW SET,BINDING M2.3*8 3CBC 100PCS
S16	31049155AS	SCREW SET,CAP M3*12 BC+PW 20 PCS.
S17	31049171AS	SCREW SET,CAP M3*12 NI 50 PCS.
S18	31049170AS	SCREW SET,CAP M3*8 NI 50 PCS.
S19	31049173AS	SCREW SET,CAP M4*10 NI 50 PCS.
S20	31049174AS	SCREW SET,CAP M4*15 NI 20 PCS.
S21	3000000423	CAP-SCREW,4*25 3CBC 100PCS
S21	31049137AS	SCREW SET,CAP M4*25 3CBC 20 PCS
S22	31049169AS	SCREW SET,CAP M4*8 3CBC+PW 20PCS
S23	31199701AS	SCREW SET,SET WP M3*3 NI 20 PCS
S25	31239103AS	SCREW SET,W-SEMS M3*8 NI+PW 50 PCS
S26	31019703	SCREW,BINDING P-TIGHT M3*8 3C 100P
S27	31049117	SCREW SET,CAP M4*12 NI+PW 4*9*0.8 20PCS
S28	31069104	SCREW,CAP M4*6+FL NI



Pos	Code	Description
1	1000015110	ADAPTER,CLAMP MEDIA SP-500_01
1	21905192	ADAPTER,CLAMP MEDIA SP-540V
2	7520501000	ASSY,CAP BOTTLE 2 FJ-52
3	W701181241	ASSY,FAN JUNCTION BOARD SP-300I_01
4	1000002527	BASE,BOTTOM VP-540
5	1000002589	BASE,RAIL VP-540
6	21985140	BRACKET,INK CATCH TANK SP-540V
7	1000018512	BUSH,80F-0603
7	12159573	BUSH,80F-0603
8	1000018503	BUSH,80F-1006
8	12159563	BUSH,80F-1006
9	1000018504	BUSH,SHAFT OILES 80F-1206
9	12159508	BUSH,SHAFT OILES 80F-1206
10	1000002176	CABLE-ASSY,PINCH U/D SENSOR VP-540
11	1000012953	COLLAR,LEVER FJ-540
11	21745109	COLLAR,LEVER FJ-540
12	1000002630	COVER,SCAN MOTOR VP-540
13	1000002528	FRAME,MIDDLE L VP-540
14	1000005167	FRAME,MIDDLE R RS-540
15	1000002548	FRAME,SCAN MOTOR VP-540
16	1000002518	FRAME,SIDE L VP-540
17	1000005550	FRAME,SIDE R VP-540I
18	22305101	GUIDE,LEVER SP-300
19	1000001601	KNOB,XC-540
19	1000015118	KNOB,XC-540_01
20	1000002556	LEVER,CAM PINCH VP-540
21	22155763	OILES BUSH 80F-0806
22	22175105	PINCH ROLL SPRING
23	22055474	PLATE,INK CATCH TANK FJ-52
24	1000002609	PLATE,LEVER LINK VP-540
25	15229506	SENSOR INTERRUPTER,GP1A05A5
26	22145393	SHAFT,JOINT PNC-960
27	1000002526	SHAFT,SQUARE VP-540
28	22035196	STAND,LEVER SP-300
29	1000002629	STAY,COVER UNDER VP-540
30	1000002558	STAY,FRAME SIDE R VP-540
31	1000002555	STAY,LEVER SENSOR VP-540
32	1000009349	STAY,PINCH LEVER ADJUST RE-640
33	1000009348	STAY,PINCH LEVER RE-640
34	1000002569	STAY,SUPPORT INKCARTRIDGE VP-540



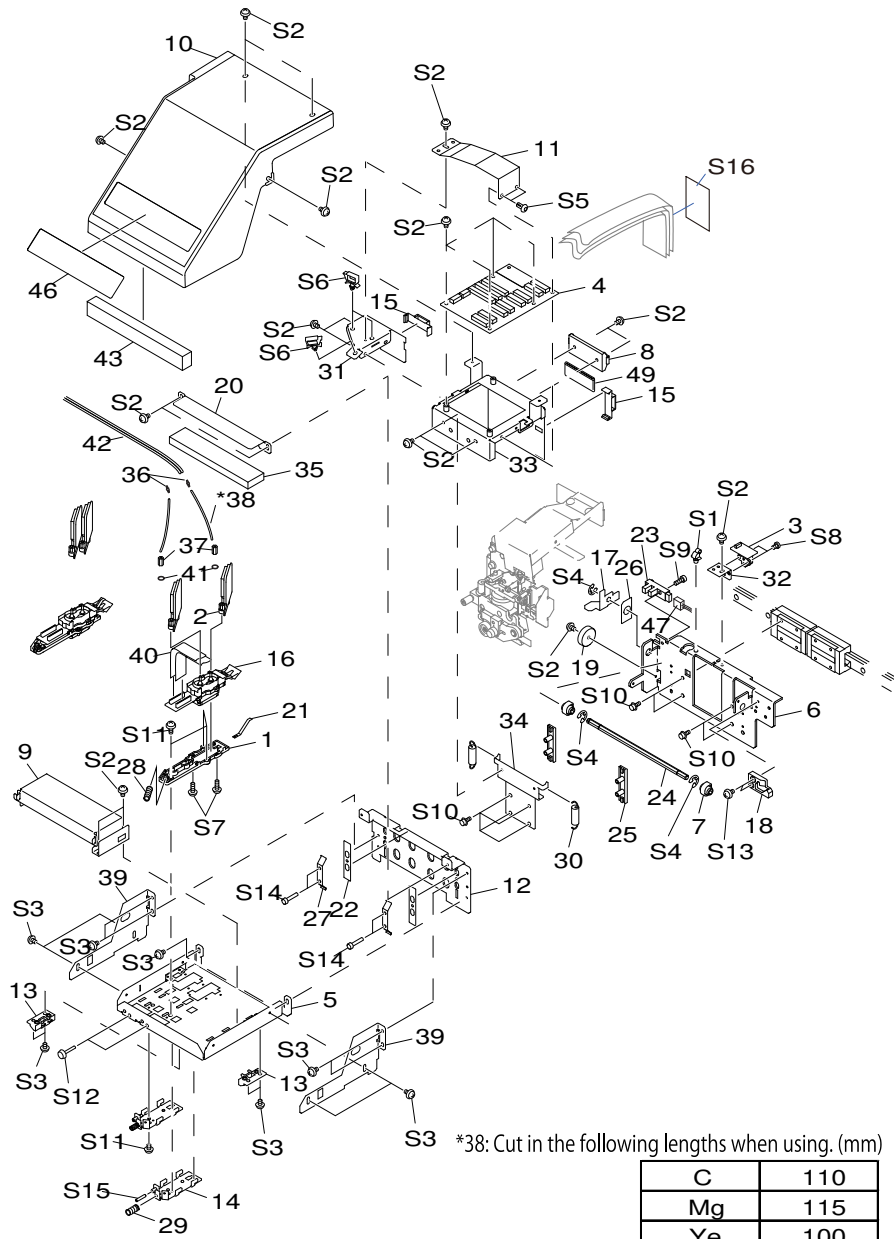
Pos	Code	Description
35	1000004193	SUPPORT,FRAME R TYPE2 VP-540
36	1000003088	PAD,BASE BOTTOM VP-540
37	1000002168	CABLE-ASSY,FAN VP-540
38	22535444	LABEL,READ MANUAL #LA637
39	1000006410	HOLDER,PUMP TUBE SP-300I
S1	31029101	BUSH,NB-19
S2	31029106	BUSH,SQUARE SB-6025
S3	31289111AS	CUPSCREW SET, M4*6 NI 100 PCS.
S4	31289109AS	CUPSCREW SET,M3*4 NI 100 PCS
S5	31119904	PIN,SPRING 2.5*8 SUS STRAIGHT 50 PCS
S6	31129101	PIPE SET,POLYCA 3*6*8 20PCS
S7	3000000559	RING,E ETW-10 SUS_TH
S7	31149706AS	RING SET,E-RING ETW-10 SUS 20 PCS
S8	3000000558	RING,E ETW-7 SUS_TH
S8	31149705	RING SET,E-RING ETW-7 SUS 50PCS
S9	31409702	SADDLE SET,LOCKING WIRE LES-1010 20P
S10	3000000560	SADDLE,LOCKING WIRE LWS-0711Z_TH
S10	31409801AS	SADDLE,LOCKING WIRE LWS-0711Z 20P
S11	31049171AS	SCREW SET,CAP M3*12 NI 50 PCS.
S12	31049142AS	SCREW SET,CAP M3*6 NI MEC 20 PCS
S13	31049173AS	SCREW SET,CAP M4*10 NI 50 PCS.
S14	3000000423	CAP-SCREW,4*25 3CBC 100PCS
S14	31049137AS	SCREW SET,CAP M4*25 3CBC 20 PCS
S16	31799107	SCREW SET,CAP M4*6 NI 20PCS
S17	31049169AS	SCREW SET,CAP M4*8 3CBC+PW 20PCS
S18	31239125AS	SCREW SET,W-SEMS M3*8 SUS 50 PCS.
S19	31179106	SCREW,JACK UP SP-540V
S20	31069104	SCREW,CAP M4*6+FL NI
S21	31289102AS	CUPSCREW SET,M3*6 NI 50 PCS.



*38: Cut in the following lengths when using. (mm)

C	110
Mg	115
Ye	100
K	130

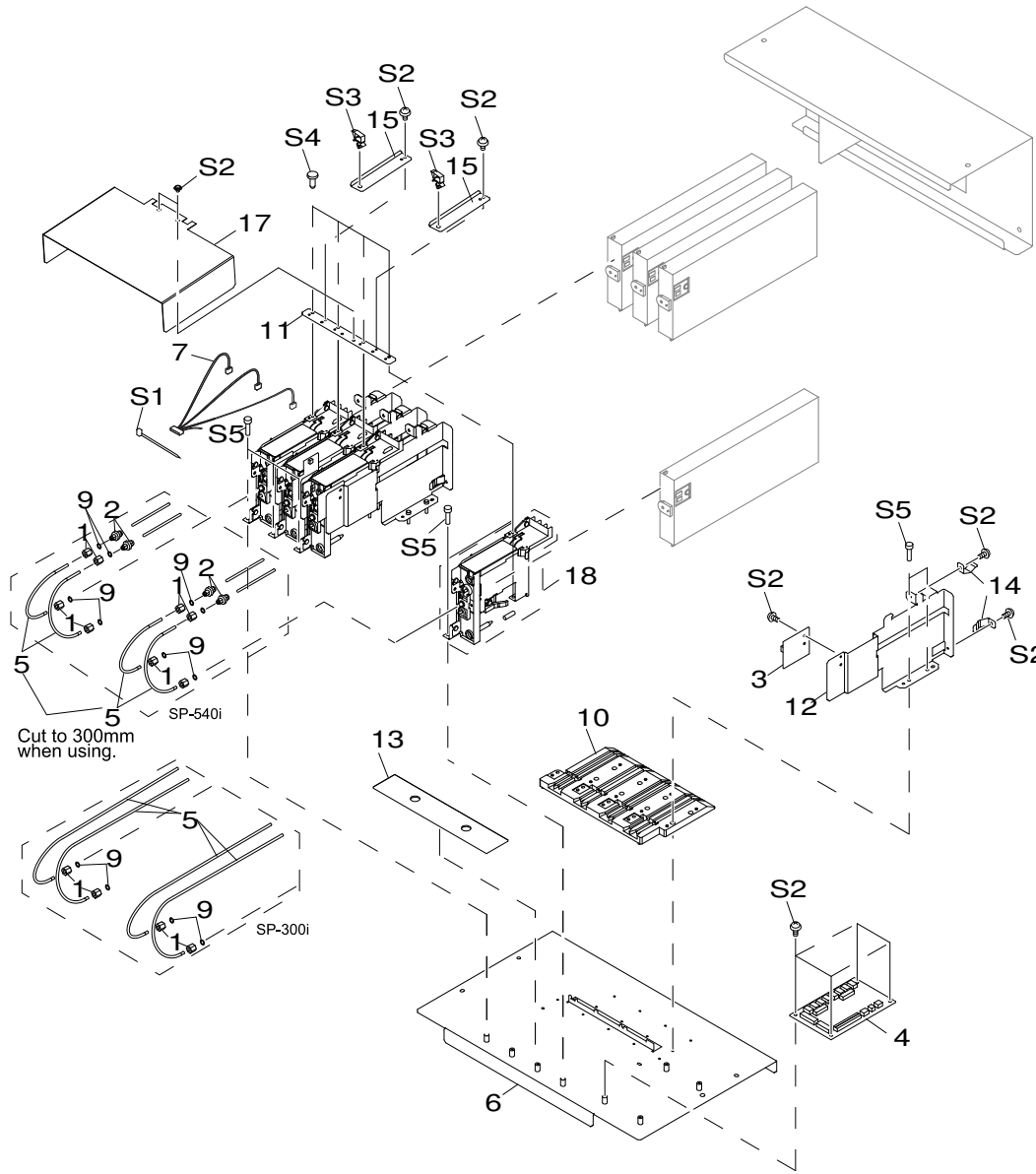
Pos	Code	Description
1	21905166	ADAPTER,HEAD FJ-540
2	6085393800	ASSY,INK DAMPER L 3FAI 4 SJ-1000
3	6700989040	ASSY,LINEAR ENC BOARD SERVICE 1
3	W701181130	ASSY,LINEAR ENCODER BOARD SP-300I
4	W701181110	ASSY,PRINT CARRIAGE BOARD SP-300I
5	1000006231	BASE,CARRIAGE AL SP-540I
6	1000005669	BASE,HOLDER CARRIAGE RS-540
7	1000015115	CAM,CARRIAGE FJ-540_02
7	21775103	CAM,CARRIAGE FJ-540
8	11769118	CLAMP,FCM2-S6-14
9	1000002588	COVER,HEAD BOARD VP-540
10	1000002632	COVER,PRINT CARRIAGE VP-540
11	1000002652	COVER,PRINT JUNCTION VP-540
12	1000002523	FRAME,CARRIAGE U/D VP-540
13	1000003076	GUIDE,CARRIAGE CAP VP-540
14	22135440	GUIDE,HEAD AL FJ-540
15	1000003293	GUIDE,TUBE TYPE3 VP-540
16	1000002201	ASSY,HEAD INKJET SOL XC-540
16	6000005213	ASSY,HEAD INKJET SOL XC-540 SV2
17	1000002587	LEVER,CARRIAGE VP-540
17	1000016620	LEVER,CARRIAGE VP-540_02
18	21345105	LOCK,CJ-500
19	1000006847	MAGNET,VS-640
19	22395108	MAGNET,CJ-500
20	1000002586	PLATE,DAMPER VP-540
21	22055547	PLATE,GND FJ-540
22	1000020067	PLATE,SLIDER CARRIAGE FJ-540TH
23	15229506	SENSOR INTERRUPTER,GP1A05A5
24	1000002521	SHAFT,HEXAGON CARRIAGE VP-540
25	1000015113	SLIDER,CARRIAGE FJ-540_02
25	22185127	SLIDER,CARRIAGE FJ-540
26	1000002623	SPACER,U/D LEVER VP-540
27	22175159	SPRING,CARRIAGE SIDE FJ-50
28	22175520	SPRING,HEAD ADJUST 500 FJ-540
29	22175519	SPRING,HEAD PRESS 500 FJ-540
30	22625109	SPRING,PULL CARRIAGE 3500 FJ-540
31	1000003863	STAY,CARRIAGE TUBE TYPE2 VP-540
32	1000000417	STAY,ENCORDER SENSOR SP-540V
33	1000005168	STAY,HOLDER CARRIAGE BOARD RS-540
34	1000002522	SUPPORT,CARRIAGE BOARD VP-540



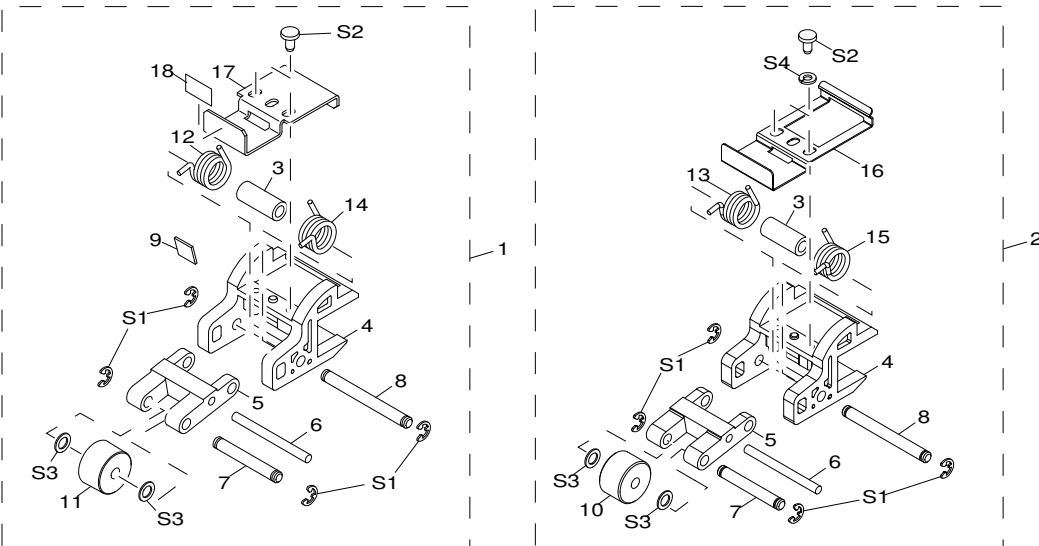
*38: Cut in the following lengths when using. (mm)

C	110
Mg	115
Ye	100
K	130

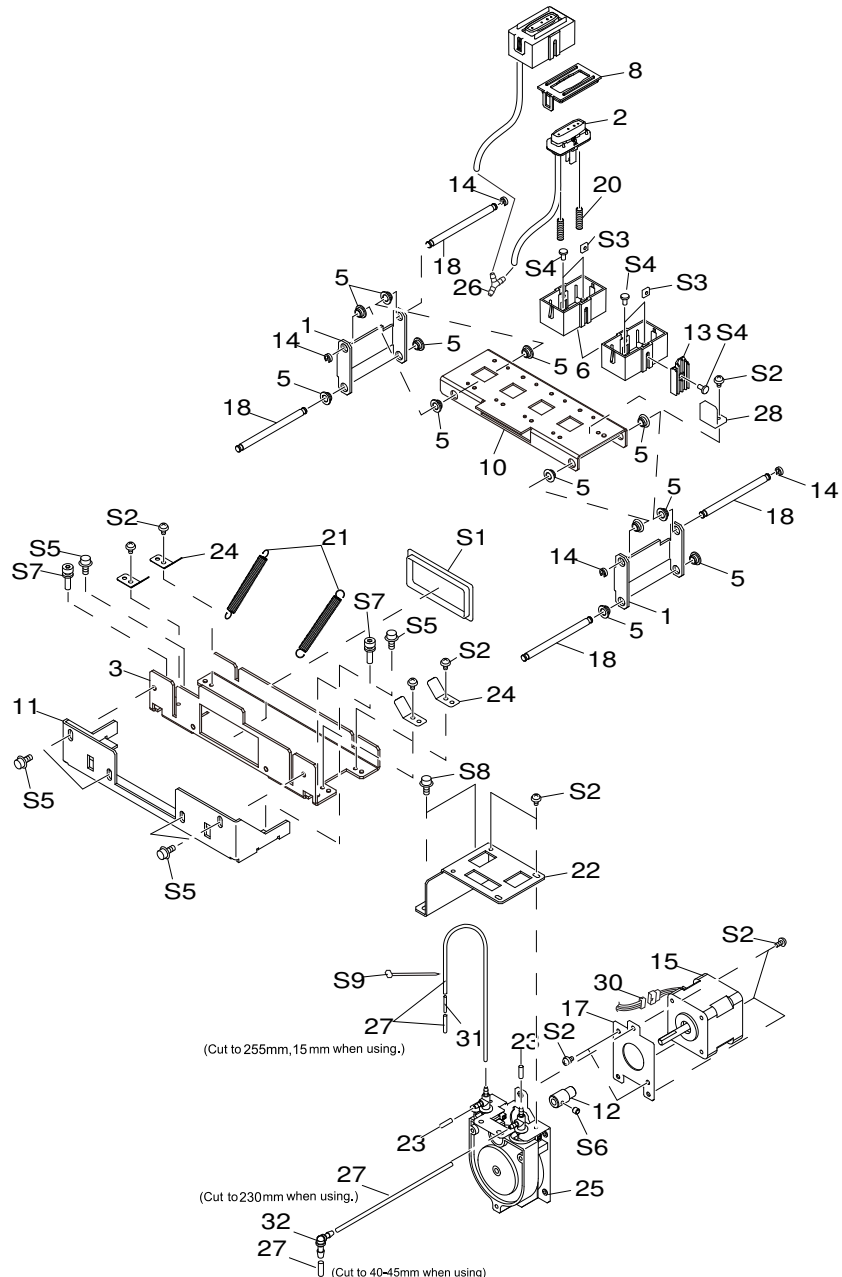
Pos	Code	Description
35	1000002643	SUPPORT,DAMPER VP-540
36	1000002680	ADAPTER,JOINT VPI336
40	1000022549	CABLE-CARD,21P1-330L-100T
37	11909167	ADAPTER,SCREW 3FAI FJ-540
38	1000003136	ASSY,TUBING 3*150MM VP-540
39	1000003032	BASE,CARRIAGE SIDE AL VP-540
40	23475206	CABLE-CARD 21P1 330L BB
41	11659249	HOLDER,RING O 3FAI FJ-540
42	1000002681	TUBE,SJ-RDG3*4 4LINK VP-540
43	1000003031	SUPPORT,ADJUST SCREW VP-540
46	1000002753	LABEL,READ MANUAL VP-540#LA969
47	1000002171	CABLE-ASSY,HEAD U/D SENSOR VP-540
49	1000011050	FILTER(E),FRCN40-12-1.7-K
S1	31329601AS	CLAMP SET,INSULOK T-18S 100 PCS.
S2	31289109AS	CUPSCREW SET,M3*4 NI 100 PCS
S3	31289102AS	CUPSCREW SET,M3*6 NI 50 PCS.
S4	31149703AS	RING SET,E-RING ETW-4 100 PCS.
S5	31299102AS	RIVET SET,NYLON P2655B 20 PCS.
S6	31409801AS	SADDLE,LOCKING WIRE LWS-0711Z 20P
S7	31679902AS	SCREW SET C-SEMS M2*8 NI 100 PCS
S8	31019148AS	SCREW SET,BINDING M2.6*4 NI 100 PCS
S9	31049173AS	SCREW SET,CAP M4*10 NI 50 PCS.
S10	31049169AS	SCREW SET,CAP M4*8 3CBC+PW 20PCS
S11	31089121AS	SCREW SET,PAN M2.3*8 NI+PW 100PCS
S12	31179908AS	SCREW SET,UREA M3*20 N-1 WH 50PCS
S13	31239125AS	SCREW SET,W-SEMS M3*8 SUS 50 PCS.
S14	31799103	SCREW SET,CAP M3*15 NI 20PCS
S15	31199905AS	SCRW SET,SET CONE M3*16 NI 20 PCS
S16	39008183	DUNPLON TAPE NO.375 75MM*50M



Pos	Code	Description
1	11909133	ADAPTER,SCREW 2FAI FJ-50
2	1000004796	ADAPTER,JOINT 2-3FAI RS-540
3	W701181280	ASSY,FLEX1 VP-540
4	W701181230	ASSY,FEED MOTOR BOARD SP-300I
4	W701181231	ASSY,FEED MOTOR BOARD SP-300I_01
5	22805549	ASSY,TUBING 2*600MM SJ-1000
5	31539113	TUBE,INK N 2FAI 100M
6	1000002568	BASE,INKCARTRIDGE VP-540
7	1000002172	CABLE-ASSY,INK CARTRIDGE VP-540
8	11659218	HOLDER,IC SC-500
9	11659149	HOLDER,RING O 2FAI FJ-50
10	22055435	PLATE,INK FJ-500
11	1000002560	PLATE,INK JOINT VP-540
12	1000001473	PLATE,HOLDER I/C XC-540
13	21475153	SHEET,INK CARTRIDGE SP-300
14	22625103	SPRING,PRESS CARTRIDGE SP-300
15	1000002640	SUPPORT,TUBE VP-540
16	21435109	TUBE,SILICONE 3*5*8 FJ-540
17	1000003038	COVER,CARTRIDGE IC VP-540
18	6700980300	ASSY,HOLDER I/C RS-540
S1	31329601AS	CLAMP SET,INSULOK T-18S 100 PCS.
S2	31289109AS	CUPSCREW SET,M3*4 NI 100 PCS
S3	3000000560	SADDLE,LOCKING WIRE LWS-0711Z_TH
S3	31409801AS	SADDLE,LOCKING WIRE LWS-0711Z 20P
S4	31019801	SCREW,BINDING S-TIGHT M3*6 3C 100PCS
S5	31799103	SCREW SET,CAP M3*15 NI 20PCS

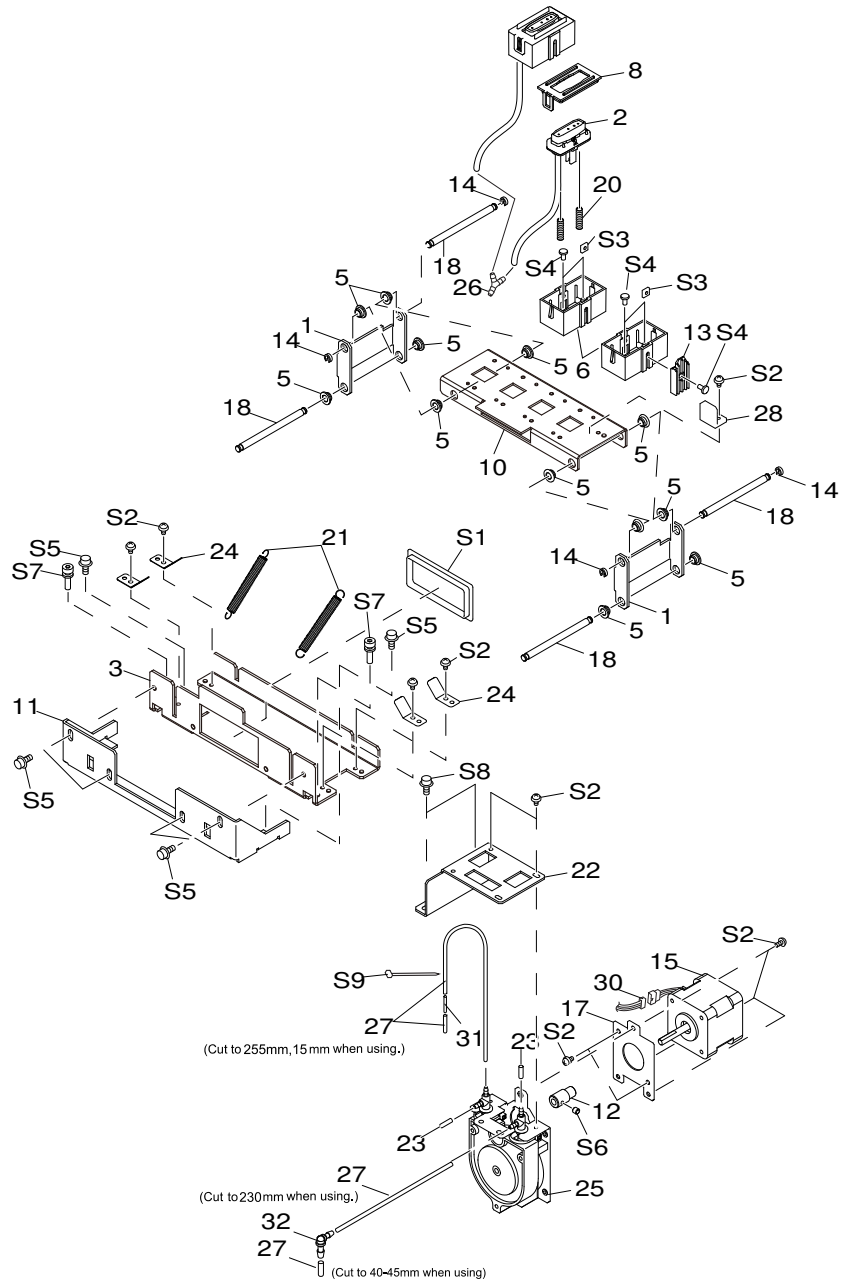


Pos	Code	Description
1	1000015670	ASSY,PINCHROLL R SG-540
1	1000015671	ASSY,PINCHROLL L SG-540
1	6000005177	ASSY,PINCHROLL R VG-640
1	6000005178	ASSY,PINCHROLL L VG-640
1	6700460210	ASSY,PINCHROLL L VP-540
1	6700460220	ASSY,PINCHROLL R VP-540
2	1000015672	ASSY,PINCHROLL C SG-540
2	6000005176	ASSY,PINCHROLL C VG-640
2	6700460300	ASSY,PINCHROLL C VP-540
3	1000020065	COLLAR,P-ROLLER PNC-960TH
3	21745101	COLLAR,P-ROLLER PNC-960
4	22195153	FRAME,PINCH ROLL SP-540V
5	22145416	LEVER,P-ROLLER PNC-960
6	11539104	PIN 3*35 SUS M6
7	1000020050	SHAFT,1 GRX-400TH
7	22145831	PIN NO.1 (214-831)
8	1000020051	SHAFT,2 GRX-400TH
8	22145832	PIN NO.2 214-832
9	22055264	PLATE,GUIDE P PNC-960
10	21565103	P-ROLLER FD16S4(B10) TYPE2
10	6000003823	ASSY,P-ROLLER FD16S4(B10) TYPE 2_01
11	21565102	P-ROLLER TD16S4(B10) TYPE2
11	6000003824	ASSY,P-ROLLER TD16S4(B10) TYPE 2_01
12	22625101	SPRING,PINCH LEFT SP-300
13	1000002648	SPRING,PINCH LEFT VP-540
14	22625102	SPRING,PINCH RIGHT SP-300
15	1000002649	SPRING,PINCH RIGHT VP-540
16	22715461	STAY,PINCH CENTER SP-540V
17	1000003028	STAY,PINCH SENSOR VP-540
18	1000002973	LABEL,PINCH SENSOR VP-540 #LA979
S1	31149702AS	RING SET,E-RING ETW-3 100 PCS.
S2	31019702AS	SCREW SET,BIND P-TIGHT M3*6 3C 100P
S3	31249211AS	WASHER SET,PLAIN 4.3*7*0.5 NI 100P
S4	31249303	WASHER SET,SPRING M3 NI 100 PCS

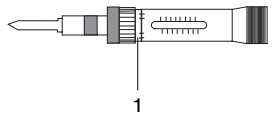


Pos	Code	Description
1	1000002537	ARM, LINK UP VP-540
2	1000002794	ASSY, CAP-TOP XC-540
2	1000004546	ASSY, CAP-TOP 2 XC-540
2	6000002355	ASSY, CAP-TOP MAX3
3	1000006234	BASE, CAP 2 VP-540I
5	1000000796	BUSH, 80F-0503
5	1000018501	BUSH, 80F-0503
6	21365121	CASE, CAP TOP FJ-540
8	1000015301	COVER, CAP-CASE LEJ-640
8	22025671	COVER, CAP CASE FJ-540
10	1000006241	FRAME, BACK-UP CAP 2 VP-540I
11	1000002580	FRAME, BASE CAP VP-540
12	1000012988	GEAR, S10B20
12	21685122	GEAR, S10S20
13	22135616	GUIDE, CAP CASE FJ-540
14	11659249	HOLDER, RING O 3FAI FJ-540
14	22135349	STOPPER, PEN-HOLDER CM-24
15	1000018516	MOTOR, 103-593-1041
15	22435106	MOTOR, 103-593-1041
17	1000001585	PLATE, P-MOTOR XC-540
17	1000020054	PLATE, P-MOTOR XC-540TH
18	1000002539	SHAFT, CAP VP-540
20	22175334	SPRING, CAP HEAD FJ-540
21	1000002561	SPRING, CAP SWING VP-540
22	1000002565	STAY, PUMP ASSY VP-540
23	1000002019	STOPPER, PUMP XC-540
24	1000002645	STOPPER, SHAFT CAP VP-540
25	6700319010	ASSY, PUMP SUB XC-540
26	1000002095	FITTING, TUBE PP VFY206
27	1000014965	TUBE, CUT SJ-RDG 2.2*3.2 500MM (MAX3)
28	1000003033	STAY, GUIDE CAP-CASE VP-540
30	1000002179	CABLE-ASSY, PUMP MOTOR VP-540
31	1000003383	ASSY, TUBING 2*30MM VP-540
32	1000008314	ADAPTER, JOINT 2L MCL-1
S1	31029106	BUSH, SQUARE SB-6025
S2	31289109AS	CUPSCREW SET, M3*4 NI 100 PCS
S3	31109601	NUT SET, SQUARE M3*6*1.6 FE NI 100PCS
S4	31019116AS	SCREW SET, BINDING M3*6 3CBC 100 PCS
S5	31049169AS	SCREW SET, CAP M4*8 3CBC+PW 20PCS
S6	31199701AS	SCREW SET, SET WP M3*3 NI 20 PCS

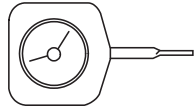
Pos	Code	Description
S7	31179106	SCREW,JACK UP SP-540V
S8	31289111AS	CUPSCREW SET, M4*6 NI 100 PCS.
S9	31329601AS	CLAMP SET,INSULOK T-18S 100 PCS.



Pos	Code	Description
1	ST-056	TORQUE DRIVER N6
2	ST-002	TENSION GAUGE 300GF/300CN
3	ST-006	WHITE DUMMY PEN
4	ST-013	DIAL TENSION METER DT-100
5	ST-001	TENSION GAUGE 2000GF/2000CN
6	1000003138	SET,CLEANER STICK TX712A 10PCS.
6	1000007172	CLEANER SET,STICK TX712A 100PCS
6	ST-037	CLEAN STICK TX712A
7	21755107	CLEANING LIQUID(SL) 500ML
7	6702419050	CLEANING LIQUID(ESL5) 500ML
8	22085118	KIT,CLEANING(SL)
8	6701409310	KIT,CLEANING(ESL5) 100ML



1



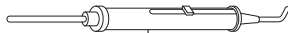
4



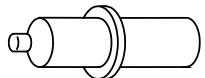
7



2



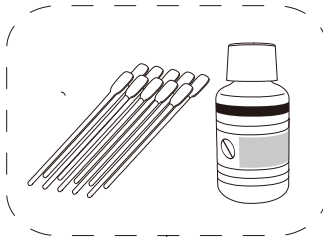
5



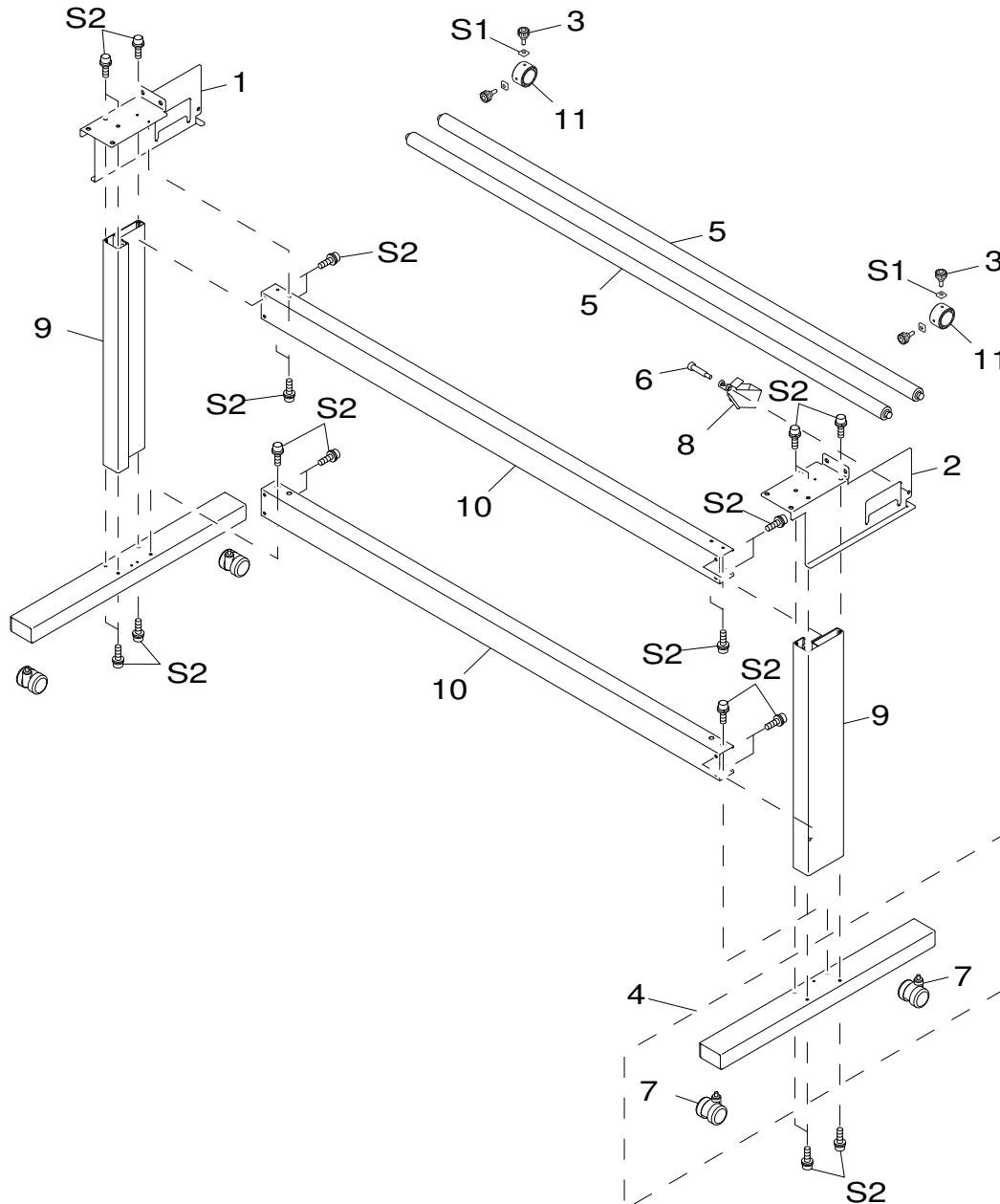
3



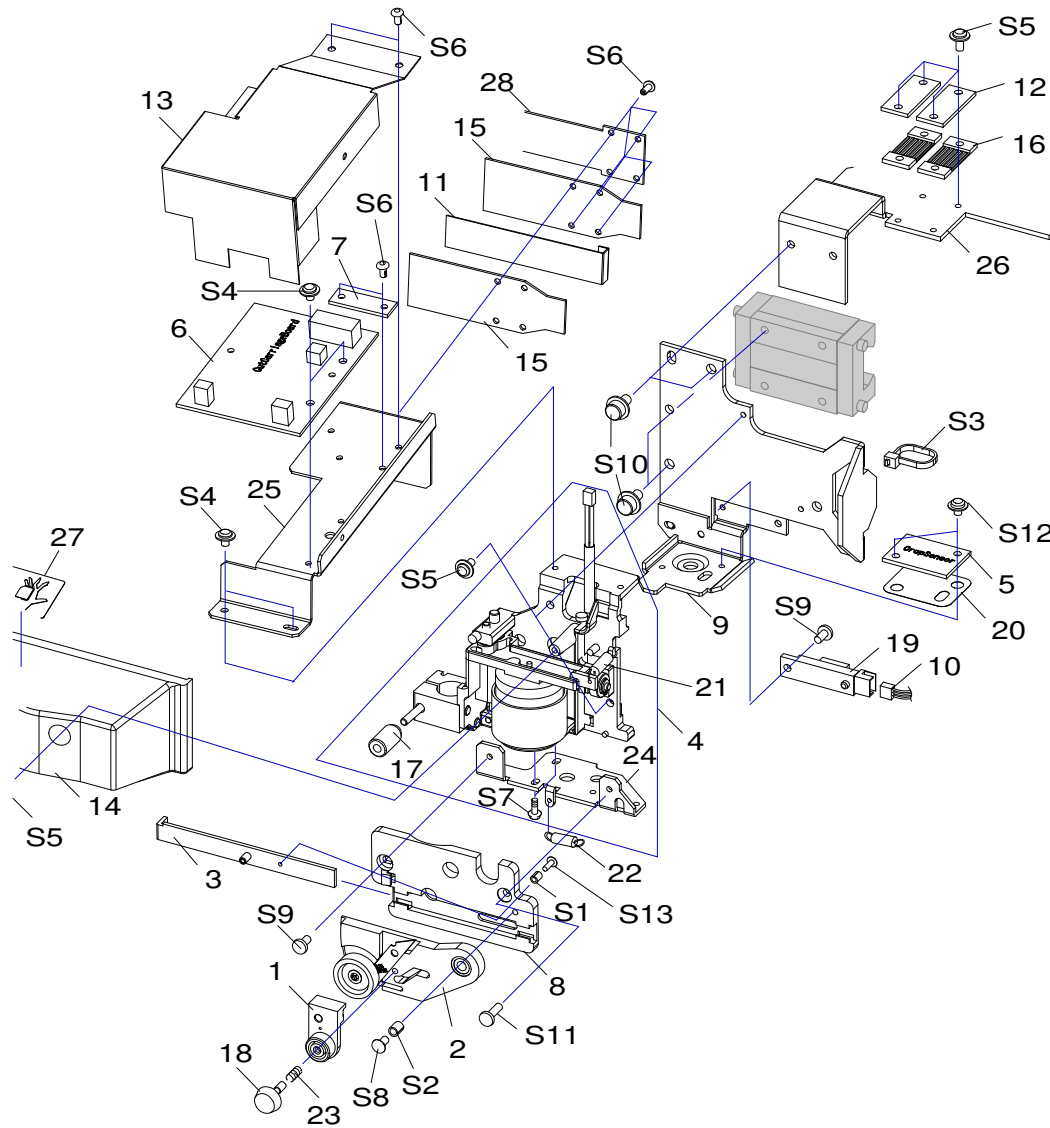
6



8

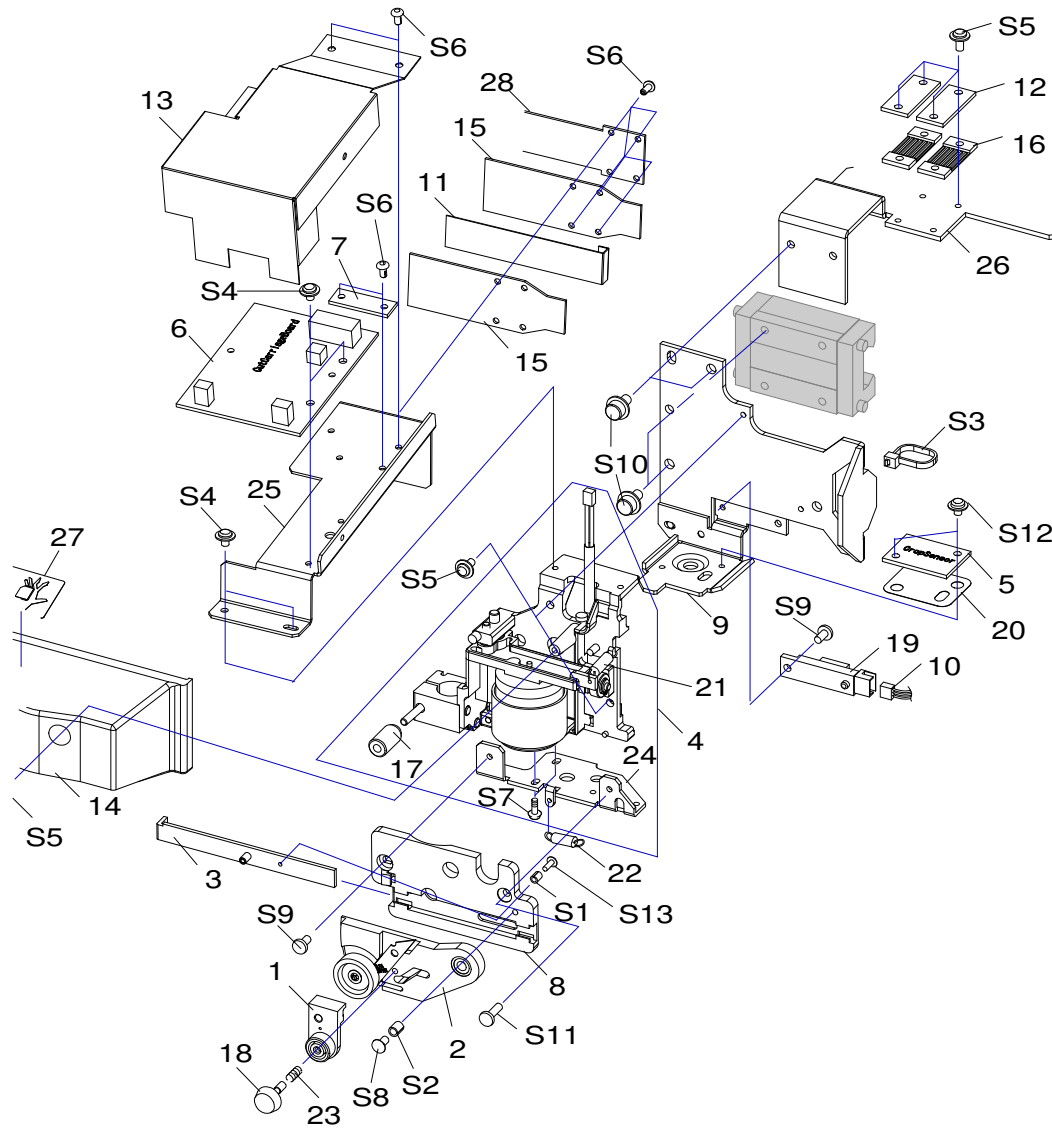


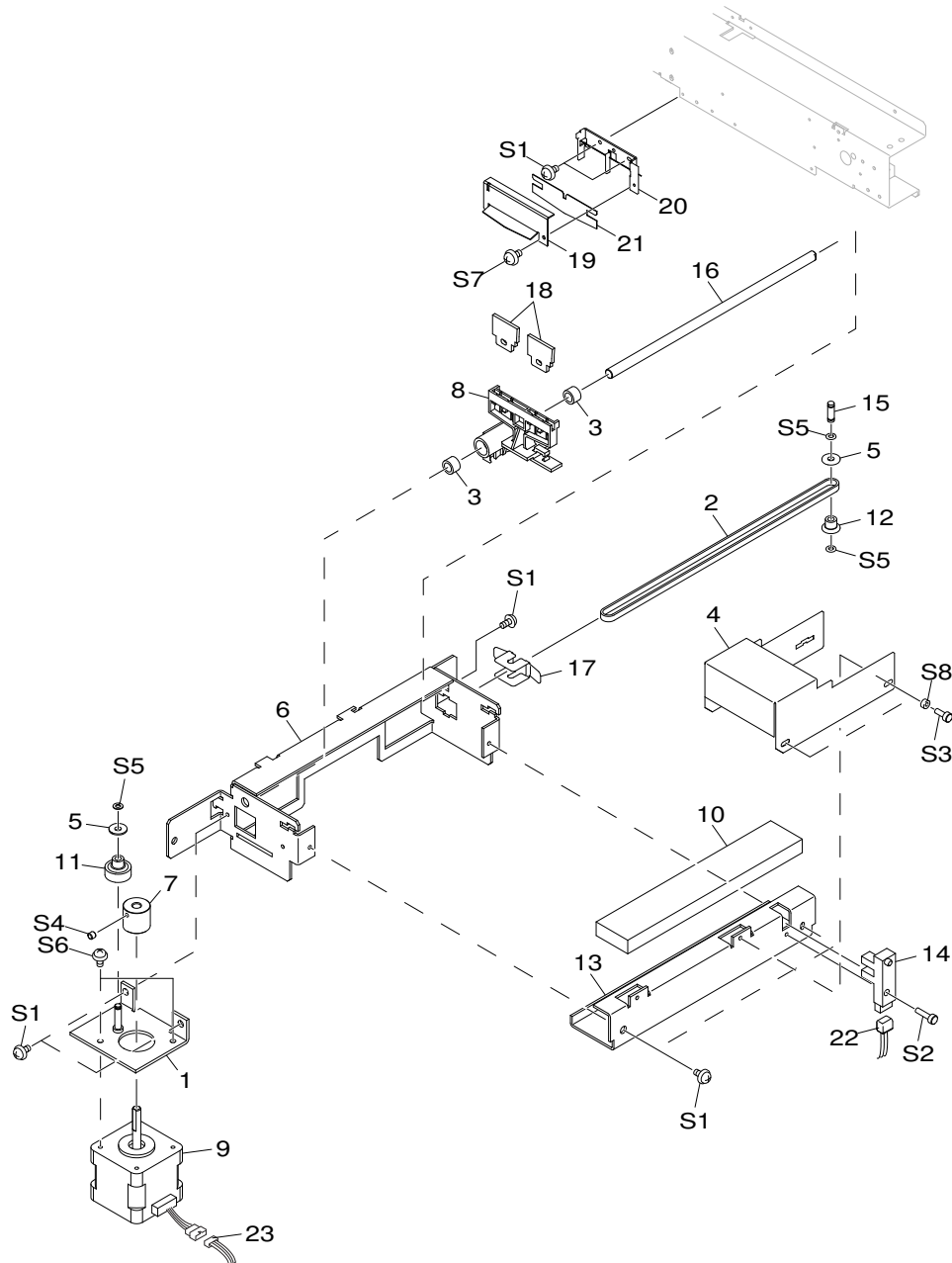
Pos	Code	Description
1	1000002578	ARM,L VP-540
2	1000002577	ARM,R VP-540
3	7498805000	ASSY STOPPER SCREW PNS-501
4	1000002636	ASSY,BASE STAND VP-540
5	1000001611	ASSY,SHAFT SHEET XC-540
6	21815106	BOLT,SHOULDER PNS-501
7	12329505	CASTER,BWS-50BN
8	1000002618	LEVER,BRAKE VP-540
9	1000002149	STAND,LEG VP-540
10	1000002635	STAY,STAND VP-540
11	1000001579	STOPPER,SHAFT POM XC-540
S1	3000000036	NUT SET,SQUARE M5 8.5*8.5*2.3 3C 100PCS
S2	31049157	SCREW,CAP M6*20 3CBC+PW+SW



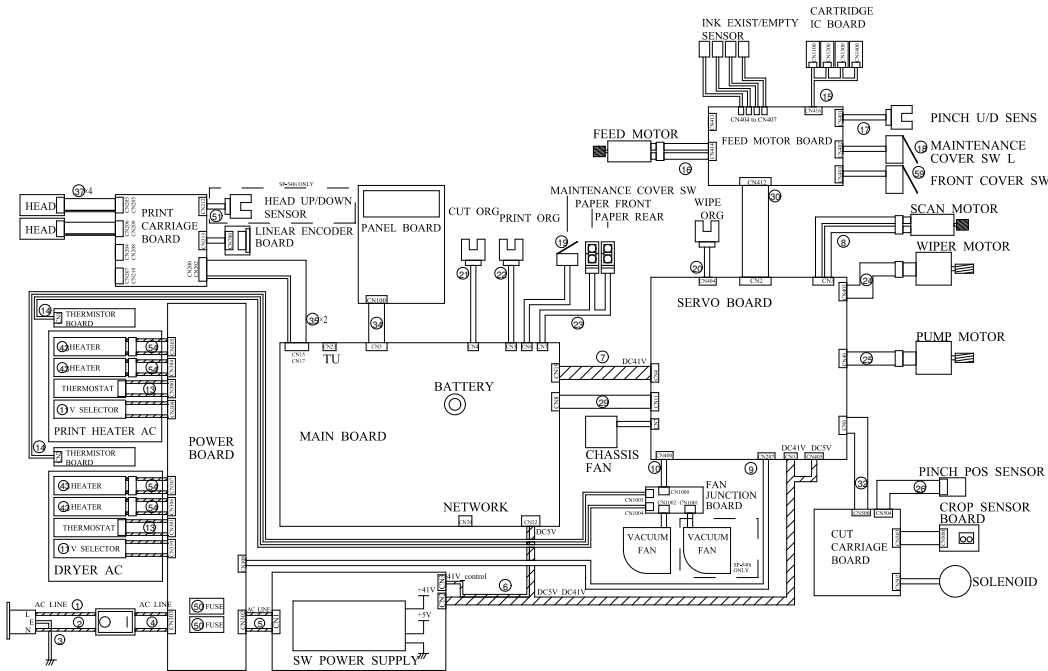
Pos	Code	Description
1	22805292	ASSY,CLAMP BLADE SV CM-500
2	22805291	ASSY,HOLDER BLADE SV CM-500
3	22805287	ASSY,PLATE CAM SLIDE SV CM-500
4	1000013547	ASSY,CARRIAGE SP-300_02
4	22805571	ASSY,CARRIAGE SP-300
5	W701181250	ASSY,CROP SENSOR BOARD VP-540
6	W701181120	ASSY,CUT CARRIAGE BOARD VP-540
7	W701181290	ASSY,FLEX2 VP-540
8	7488739000	BASE CUTTER CJ-500
9	1000002530	BASE,CUT CARRIAGE VP-540
10	1000002185	CABLE-ASSY,PINCH SENSOR VP-540
11	23475238	CABLE-CARD, 15P1 2570L BB
12	1000020055	COVER,BELT HOLDER EGX-600TH
12	22025646	COVER,BELT HOLDER EGX-600
13	1000002570	COVER,CARRIAGE BOARD VP-540
14	22025269	COVER,CARRIAGE CM-500
15	1000002591	GUIDE,CABLE FLEX-CUT VP-540
16	1000015114	HOLDER,BELT EGX-600_01
16	21655232	HOLDER,BELT EGX-600
17	22285503	NUT,PENHOLDER
18	21495115	SCREW,BLADE SET CM-500
19	15099115	SENSOR-INTERRUPTER GP2A25NJ
20	21475148	SHEET,CROP SENSOR FILTER CJ-500
21	22175122	SPRING,BACK UP PNC-960
22	1000012947	SPRING,BLADE UP CM-500
22	22175154	SPRING,BLADE UP CM-500
23	1000012948	SPRING,SCREW CM-500
23	22175155	SPRING,SCREW CM-500
24	22715168	STAY,AUTO CUTTER 2 CM-500
25	1000002531	STAY,CUT CARRIAGE BOARD VP-540
26	1000002540	STAY,HOLDER BELT VP-540
27	22535287	LABEL,CAUTION CARRIAGE #LA266
28	1000002613	PLATE,CABLE CUT VP-540
S1	31029801AS	BUSH SET,ROLL 2*4 3C100PCS
S2	31029803AS	BUSH SET,ROLL 3*5 3C 20PCS.
S3	31329601AS	CLAMP SET,INSULOK T-18S 100 PCS.
S4	31289109AS	CUPSCREW SET,M3*4 NI 100 PCS
S5	31289102AS	CUPSCREW SET,M3*6 NI 50 PCS.
S6	31299102AS	RIVET SET,NYLON P2655B 20 PCS.
S7	31019148AS	SCREW SET,BINDING M2.6*4 NI 100 PCS

Pos	Code	Description
S8	31019118AS	SCREW SET,BINDING M3*10 3CBC 100PCS
S9	31019116AS	SCREW SET,BINDING M3*6 3CBC 100 PCS
S10	31069104	SCREW,CAP M4*6+FL NI
S11	31169103AS	SCREW SET,FLAT M3*6 3CBC 100 PCS
S12	31089110AS	SCREW SET,PAN M3*4 NI+PW 100 PCS
S13	31229103AS	SCREW SET,TRUSS M2*6 NI 100 PCS





Pos	Code	Description
1	1000002576	BASE,WIPER MOTOR VP-540
2	11929138	BELT,408P2M4-530
3	12159536	BUSH,B-S6-17
4	1000002572	COVER,WIPE VP-540
5	21995104	FLANGE,PULLEY STX-7
6	1000002574	FRAME,WIPER VP-540
7	21685144	GEAR,S53S5(B15) FJ-540
8	21655245	HOLDER,WIPER FJ-540
9	1000018516	MOTOR,103-593-1041
9	22435106	MOTOR,103-593-1041
10	21545160	PAD,WIPER TRAY SJ-540
11	21975124	PULLEY,T14P2S4 + GEAR,S53
12	21975123	PULLEY,WD6.94S9
13	1000002575	RAIL,GUIDE WIPER VP-540
14	15229506	SENSOR INTERRUPTER,GP1A05A5
15	1000004034	SHAFT,WIPE PULLEY XC-540
16	22155961	SHAFT,WIPER FJ-540
17	22175140	SPRING,TENSIONER STX-7
18	1000003390	WIPER,HEAD FOR SOLINK
19	1000002573	COVER,SCRAPER VP-540
20	1000002571	HOLDER,SCRAPER VP-540
21	1000001658	WIPER,SCRAPER XC-540
22	1000002186	CABLE-ASSY,WIPER SENSOR VP-540
23	1000002182	CABLE-ASSY,WIPER MOTOR VP-540
S1	31289109AS	CUPSCREW SET,M3*4 NI 100 PCS
S2	31049171AS	SCREW SET,CAP M3*12 NI 50 PCS.
S3	31049170AS	SCREW SET,CAP M3*8 NI 50 PCS.
S4	31199701AS	SCREW SET,SET WP M3*3 NI 20 PCS
S5	31249952	WASHER SET,POLYSLIDER 2.6*5*.5 CUT 20PCS
S6	31289102AS	CUPSCREW SET,M3*6 NI 50 PCS.
S7	31289112AS	CUPSCREW SET,M3*10 NI 100 PCS.
S8	31029820	BUSH SET,ROLL 3*2 3C 50PCS



Pos	Code	Description
1	100002189	CABLE-ASSY,JUNBI A VP-540
2	100002190	CABLE-ASSY,JUNBI B VP-540
3	23415268	CABLE-ASSY AC GROUND GREEN SP-540
4	23415116	CABLE-ASSY,JUNBI D SP-300
5	100002173	CABLE-ASSY,JUNBI E VP-540
6	100004961	CABLE-ASSY,POWER SERVO RS-540
7	23415117	CABLE-ASSY,POWER MAIN SP-300
8	100002188	CABLE-ASSY,SCAN MOTOR VP-540
9	100002180	CABLE-ASSY,RELAY JUNCTION VP-540
10	100002168	CABLE-ASSY,FAN VP-540
11	100002043	CABLE-ASSY,230V SELECTOR XC-540
11	100002044	CABLE-ASSY,117V SELECTOR XC-540
13	100002184	CABLE-ASSY,THERMOSTAT VP-540
14	100002181	CABLE-ASSY,THERMISTOR VP-540
15	100002172	CABLE-ASSY,INK CARTRIDGE VP-540
16	23415124	CABLE ASSY,GRIT MOTOR SP-300
17	100002176	CABLE-ASSY,PINCH U/D SENSOR VP-540
18	23415114	CABLE ASSY,MNT. COVER SW SP-300
19	23505834	CABLE-ASSY,MAINT-COVER SW FJ-540
20	100002186	CABLE-ASSY,WIPER SENSOR VP-540
21	100002167	CABLE-ASSY,CUT-CAR ORG VP-540
22	100002178	CABLE-ASSY,PRI-CAR ORG VP-540
23	100002175	CABLE-ASSY,PAPER SENSOR VP-540
24	100002182	CABLE-ASSY,WIPER MOTOR VP-540
25	100002179	CABLE-ASSY,PUMP MOTOR VP-540
26	100002185	CABLE-ASSY,PINCH SENSOR VP-540
29	23475197	CABLE CARD 25P1 105L BB FJ-540
30	23475237	CABLE-CARD 40P1 2070L BB HIGH-V
32	23475238	CABLE-CARD, 15P1 2570L BB
34	23475212	CABLE-CARD,24P1 600L BB
35	23475240	CABLE CARD,36P1 2670L BB HIGH-V
37	1000022549	CABLE-CARD,21P1-330L-100T
37	23475206	CABLE-CARD 21P1 330L BB
43	100002165	ASSY,CORD HEATER VP-540
50	12559105	FUSE,5X20 021706.3MXP 6.3A/250V
51	100002171	CABLE-ASSY,HEAD U/D SENSOR VP-540
54	100002183	CABLE-ASSY,HEATER VP-540
59	100004205	CABLE-ASSY, FRONT-COVER SW VP-540