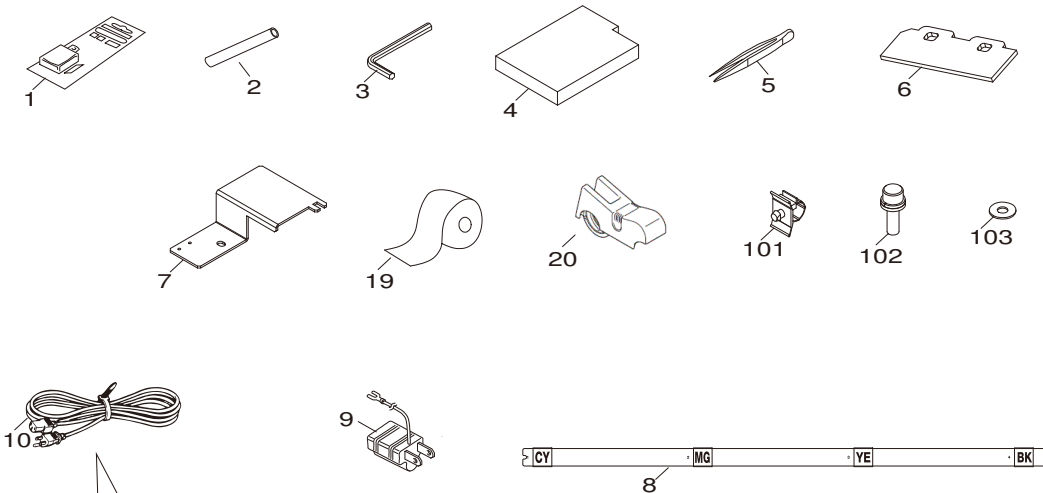
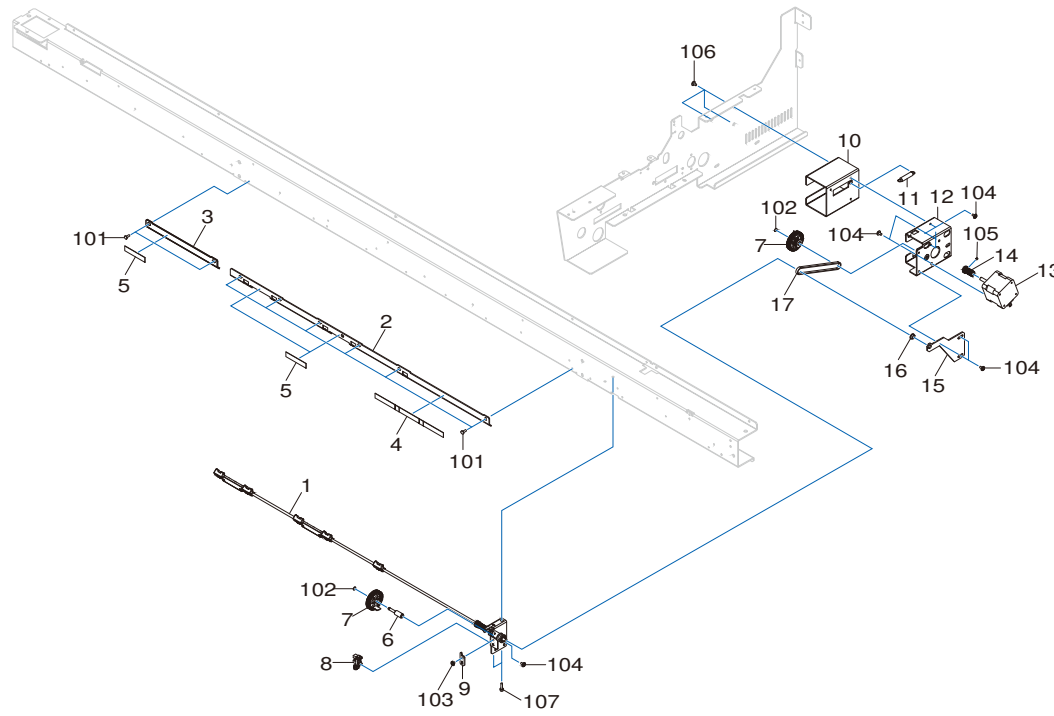


| Pos | Code       | Description                        |
|-----|------------|------------------------------------|
| 1   | 1000015713 | PAD,FEEDER SG-540                  |
| 1   | 1000017519 | PAD,FEEDER SV SG-540               |
| 2   | 1000015145 | PAD,STAND VG-640                   |
| 2   | 1000015714 | PAD,STAND SG-540                   |
| 2   | 1000017510 | PAD,STAND SV SG-540                |
| 3   | 1000015146 | CARTON,STAND VG-640                |
| 3   | 1000015715 | CARTON,STAND SG-540                |
| 3   | 1000017511 | CARTON,STAND SV SG-540             |
| 4   | 1000014611 | PAD,PIPE FEEDER SHAFT EJ-640       |
| 4   | 1000015711 | PAD,PIPE FEEDER SHAFT SG-540       |
| 4   | 1000017508 | PAD,PIPE FEEDER SHAFT SV SG-540    |
| 5   | 1000015707 | CARTON,SLEEVE SG-300               |
| 5   | 1000017505 | CARTON,SLEEVE SV SG-300            |
| 6   | 1000018803 | PAD,SPACER RAIL CG2023             |
| 7   | 1000015708 | CARTON,SPACER SG-300               |
| 7   | 1000017524 | CARTON,SPACER SV SG-300            |
| 8   | 1000020823 | PAD,L-LEFT CG2076_TH               |
| 9   | 1000020824 | PAD,L-RIGHT CG2076_TH              |
| 10  | 1000015726 | PAD,CENTER SG-540                  |
| 10  | 1000017521 | PAD,CENTER SV SG-540               |
| 11  | 1000015709 | CARTON,COVER SG-300                |
| 11  | 1000017506 | CARTON,COVER SV SG-300             |
| 12  | 1000018197 | TRAY,SKID SG-300_01                |
| 13  | 1000015150 | PAD,U-LEFT VG-640                  |
| 13  | 1000015719 | PAD,U-LEFT SG-540                  |
| 13  | 1000017514 | PAD,U-LEFT SV SG-540               |
| 14  | 1000015151 | PAD,U-RIGHT VG-640                 |
| 14  | 1000015730 | PAD,U-RIGHT SG-540                 |
| 14  | 1000017518 | PAD,U-RIGHT SV SG-540              |
| 15  | 1000015721 | PAD,VKIT SG-540                    |
| 15  | 1000017522 | PAD,VKIT SV SG-540                 |
| 16  | 1000015706 | PAD,SUPPORT FEEDER SHAFT SG-300    |
| 16  | 1000017504 | PAD,SUPPORT FEEDER SHAFT SV SG-300 |
| 17  | 1000015731 | PAD,ACCESSORY SG-540               |
| 17  | 1000017523 | PAD,ACCESSORY SV SG-540            |
| 18  | 1000017872 | PAD,SUPPORT VG-540T                |

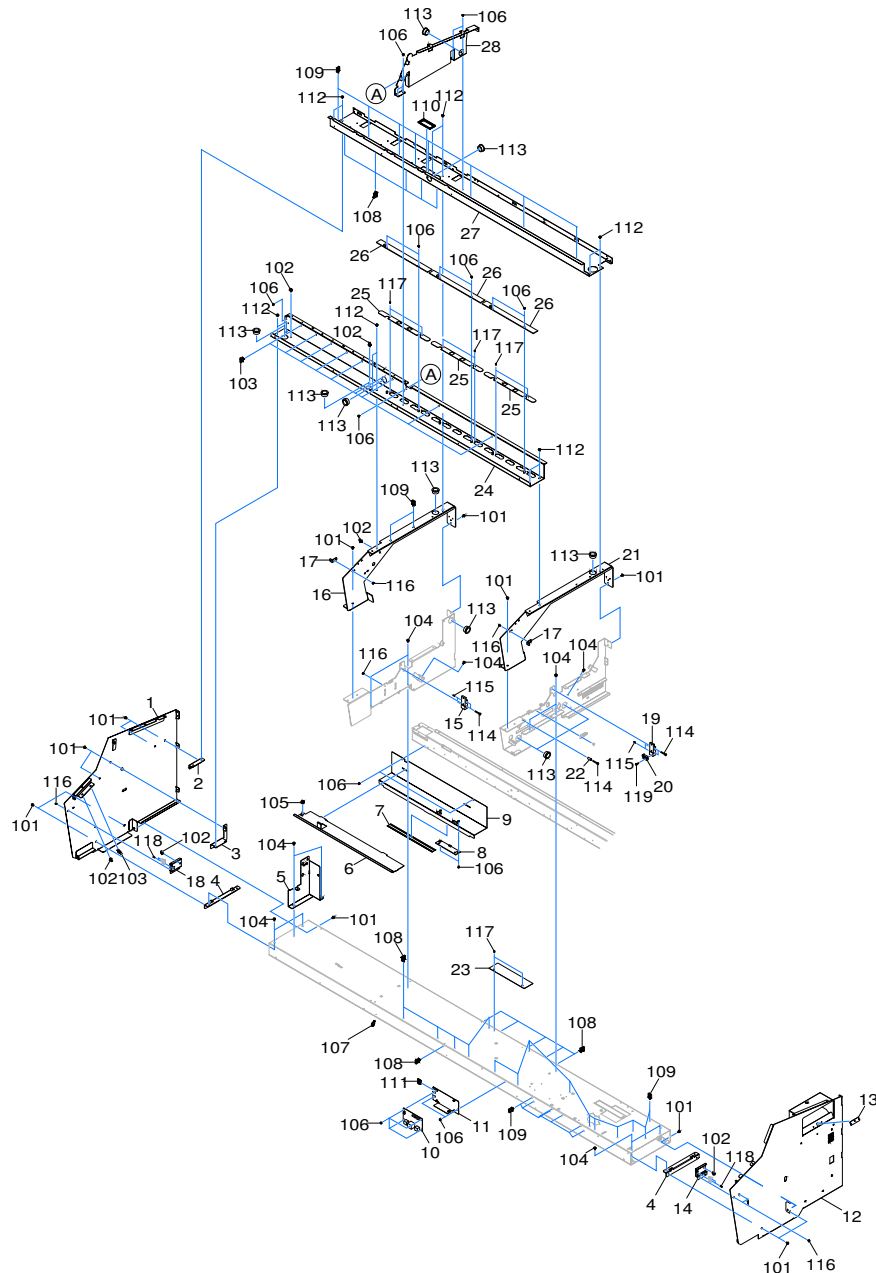


| Pos | Code       | Description                         |
|-----|------------|-------------------------------------|
| 1   | 11849102   | BLADE,OLFA AUTO CUTTER XB10         |
| 2   | 22155133   | PIPE,TOOL D9*L150 FJ-540            |
| 3   | 22565682   | HEXAGONAL WRENCH 5                  |
| 4   | 1000020059 | PAD,CLEANER D VG-640TH              |
| 5   | 12569656   | TWEEZERS PTS-01                     |
| 6   | 1000014754 | WIPER,HEAD VG-640                   |
| 7   | 1000019053 | STOPPER,CARRIAGE CG2076 TH          |
| 8   | 1000018948 | LABEL, SET INK SG-540#LA3239        |
| 9   | 13499209   | ADAPTER PLUG (100V)                 |
| 10  | 1000005832 | CABLE-AC,100V 15A 2.5M 3P           |
| 11  | 1000005833 | CABLE-AC,117V 15A 2.5M 3P           |
| 12  | 13439801   | CABLE-AC 3P CHINA 10A250V S         |
| 13  | 1000010999 | CABLE-AC, H05VV 230V 10A KC         |
| 14  | 1000006571 | CABLE-AC,3P 117/230V BR 2.5M        |
| 15  | 23495125   | AC-CORD H05VV 230V 10A S            |
| 16  | 1000006097 | CABLE-AC,3P 230VAR 2.5M TW          |
| 17  | 13499111   | AC CORD H05VV-F 240VE 10A S         |
| 18  | 23495124   | AC CORD 3ASL100 240VA 10A SAA       |
| 19  | 3000000437 | SHEET,CHECK ALI EJ-640              |
| 20  | 1000019676 | SUPPORT,ROLL MEDIA CG2076           |
| 101 | 31379111   | CLAMP,CABLE CKS-13-H                |
| 102 | 31049157   | SCREW,CAP M6*20 3CBC+PW+SW          |
| 103 | 31249220AS | WASHER SET,PLAIN 6.5*16*1 NI 100PCS |

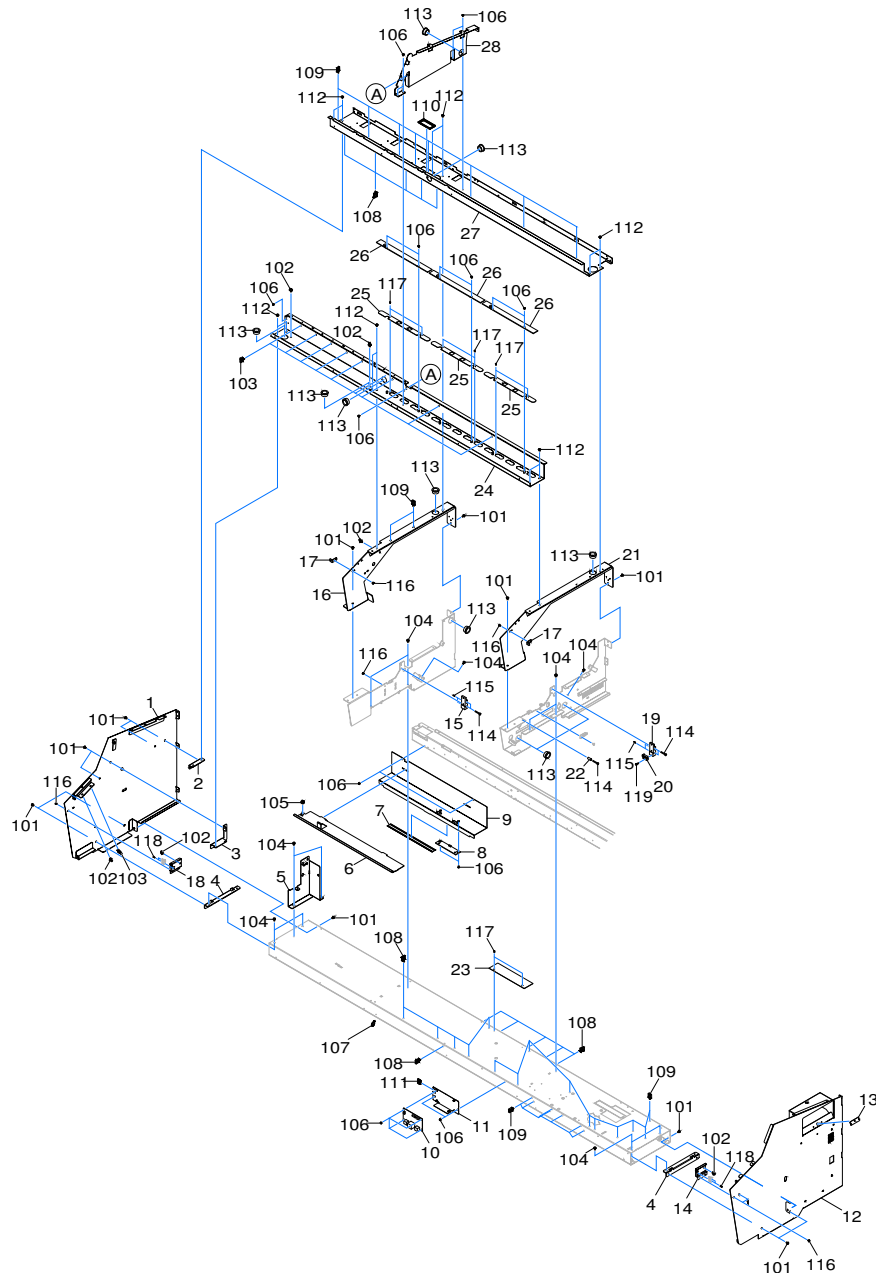
|                |                   |                 |                   |
|----------------|-------------------|-----------------|-------------------|
| 117V<br><br>11 | 250VC<br><br>12   | 230VK<br><br>13 | 230V BR<br><br>14 |
| 230V<br><br>15 | 230V AR<br><br>16 | 240VE<br><br>17 | 240VA<br><br>18   |



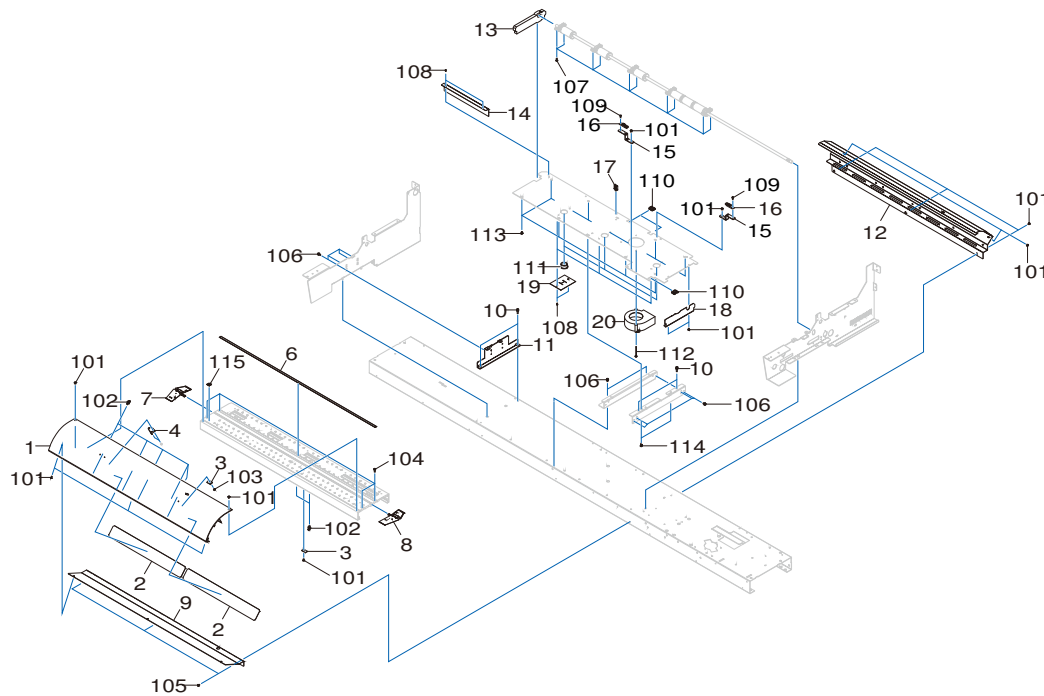
| Pos | Code       | Description                              |
|-----|------------|--|
| 2   | 1000020854 | PLATE,PINCH DOWN STOPPER CG2132          |
| 3   | 1000018800 | PLATE,PINCH DOWN STOPPER L CG2075        |
| 4   | 1000002971 | LABEL,G-ROLLER 170 VP-540 #LA978         |
| 5   | 1000002970 | LABEL,G-ROLLER 50 VP-540 #LA977          |
| 6   | 1000018599 | SHAFT,A-PINCH ORIGIN CG2023              |
| 7   | 1000018964 | GEAR,A-PINCH DRIVE 2 CG2023              |
| 8   | 1000016994 | SENSOR-INTERRUPTER,EE-SX4235A_P2         |
| 9   | 1000018777 | HOLDER,SHAFT A-PINCH R CG2076            |
| 10  | 1000019045 | BASE,GEAR A-PINCH 2 CG2023               |
| 11  | 1000014907 | SPRING,PINCH 2000 AJ-1000                |
| 12  | 1000019659 | STAY,GEAR A-PINCH CG2076                 |
| 13  | 1000018514 | MOTOR,103-5208-85542                     |
| 14  | 1000018965 | GEAR,A-PINCH MOTOR 2 CG2023              |
| 15  | 1000019657 | SUPPORT,BELT A-PINCH CG2076              |
| 16  | 1000018501 | BUSH,80F-0503                            |
| 17  | 1000007153 | BELT,244P2M4-530                         |
| 101 | 31019117AS | SCREW SET,BINDING M3*8 3CBC 100 PCS      |
| 102 | 31249952   | WASHER SET,POLYSLIDER 2.6*5*.5 CUT 20PCS |
| 103 | 31289109AS | CUPSCREW SET,M3*4 NI 100 PCS             |
| 104 | 31289102AS | CUPSCREW SET,M3*6 NI 50 PCS.             |
| 105 | 31199701AS | SCREW SET,SET WP M3*3 NI 20 PCS          |
| 107 | 31049155AS | SCREW SET,CAP M3*12 BC+PW 20 PCS.        |
| 106 | 31289105AS | CUPSCREW SET, M3*6 3CBC 100 PCS          |



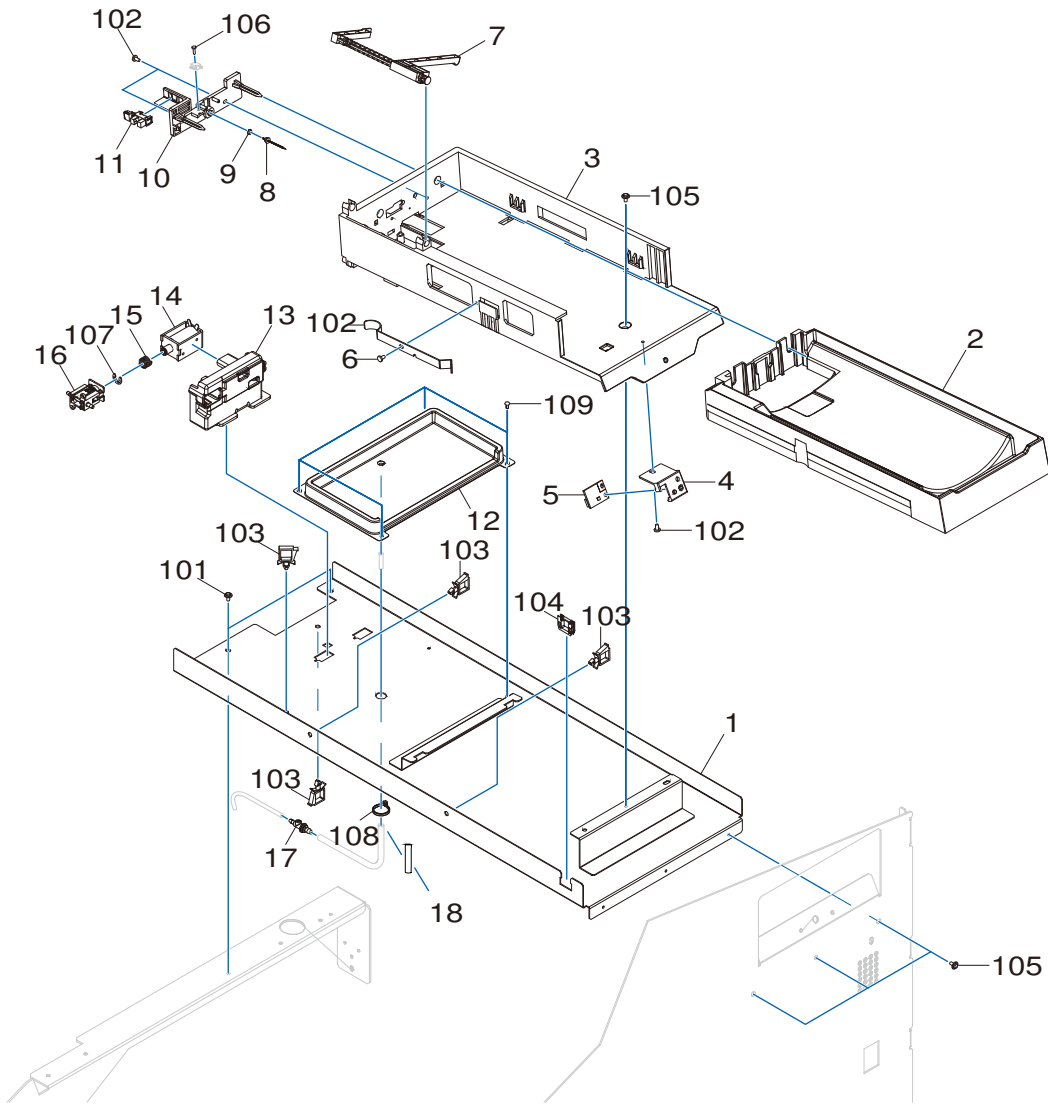
| Pos | Code       | Description                           |
|-----|------------|---------------------------------------|
| 1   | 1000019706 | FRAME,SIDE L CG2076                   |
| 2   | 1000017551 | STAY,INK CARTRIDGE PLATE CG2032       |
| 3   | 1000017552 | STAY,SUPPORT COVER CG2032             |
| 4   | 1000015317 | STAY,FRAME SG-540                     |
| 5   | 1000015311 | STAY,SUPPORT RAIL L SG-540            |
| 6   | 1000015314 | FRAME,AUTOCUTTER SG-540               |
| 7   | 1000014596 | SHEET,BED LED VG-640                  |
| 8   | 6000004236 | ASSY,MAINTENANCE LIGHT BOARD CG2075   |
| 9   | 1000015319 | STAY,MAINTENANCE LED SG-540           |
| 10  | W704890110 | ASSY,EXT IF CG2075_01                 |
| 11  | 1000020992 | STAY,EXT PORT CG2092                  |
| 12  | 1000019705 | FRAME,SIDE R CG2076                   |
| 13  | 1000014825 | LABEL,CL VG-640#LA2170                |
| 14  | 1000015411 | COVER,SW R SG-540                     |
| 15  | 1000018963 | BASE,RAIL CG2023                      |
| 16  | 1000021389 | SUPPORT,FRAME L2 CG2076               |
| 17  | 1000015316 | STAY,COVER ARM SG-540                 |
| 18  | 1000015412 | COVER,SW L SG-540                     |
| 19  | 1000018963 | BASE,RAIL CG2023                      |
| 20  | 1000018956 | HOLDER,SHAFT A-PINCH C CG2023         |
| 21  | 1000019679 | SUPPORT,FRAME CG2076                  |
| 22  | 1000020065 | COLLAR,P-ROLLER PNC-960TH             |
| 23  | 1000019675 | PLATE,SUPPORT FAN CG2076              |
| 24  | 1000020846 | SUPPORT,COVER CG2132                  |
| 25  | 1000019653 | SHEET,DIFFUSION LED CG2076            |
| 26  | 6000004235 | ASSY,LED LIGHT BOARD CG2075           |
| 27  | 1000020845 | PLATE,INK CARTRIDGE CG2132            |
| 28  | 1000017363 | COVER,SIDE INK SYSTEM CG2032          |
| 101 | 31289110AS | CUPSCREW SET, M4*8 3CBC 100 PCS       |
| 102 | 31329501AS | CLAMP SET,PUSH MOUNT RT30SSF5 20P     |
| 103 | 3000000560 | SADDLE,LOCKING WIRE LWS-0711Z_TH      |
| 104 | 3000000172 | SCREW SET,CAP M4*8 NI WSH4*9*0.8 20P  |
| 105 | 31139104   | SCREW,PLAPOINT M4*6 BK FE             |
| 106 | 31289102AS | CUPSCREW SET,M3*6 NI 50 PCS.          |
| 107 | 31329601AS | CLAMP SET,INSULOK T-18S 100 PCS.      |
| 108 | 31409811AS | SADDLE SET,LOCKING WIRE LWS-1211Z 20P |
| 109 | 3000000216 | SADDLE,WIRE WS-2N-V0                  |
| 110 | 31029106   | BUSH,SQUARE SB-6025                   |
| 111 | 31409702   | SADDLE SET,LOCKING WIRE LES-1010 20P  |
| 112 | 31289111AS | CUPSCREW SET, M4*6 NI 100 PCS.        |



| Pos | Code       | Description                          |
|-----|------------|--------------------------------------|
| 113 | 31029101   | BUSH,NB-19                           |
| 114 | 3000000423 | CAP-SCREW,4*25 3CBC 100PCS           |
| 115 | 31119904   | PIN,SPRING 2.5*8 SUS STRAIGHT 50 PCS |
| 116 | 31289105AS | CUPSCREW SET, M3*6 3CBC 100 PCS      |
| 117 | 31299102AS | RIVET SET,NYLON P2655B 20 PCS.       |
| 118 | 31019149   | SCREW SET,BINDING M2.3*8 3CBC 100PCS |
| 119 | 3000000424 | CAP-SCREW,3*12NI WSH 3*6*0.5         |

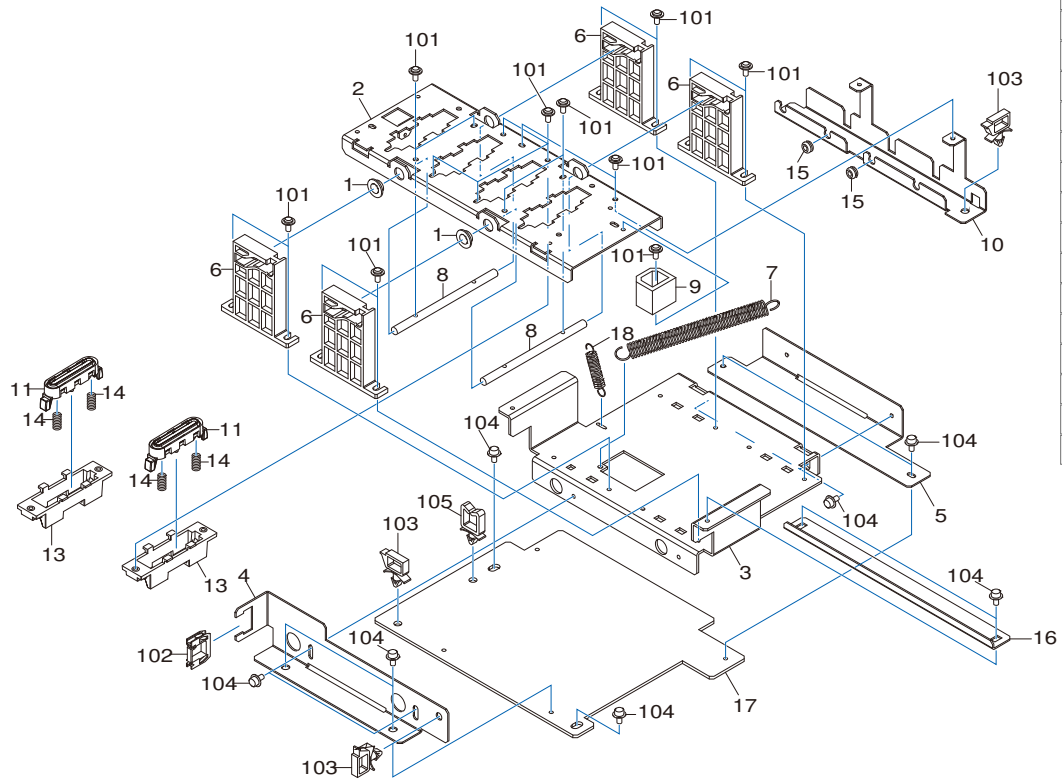


| Pos | Code       | Description                          |
|-----|------------|--------------------------------------|
| 1   | 1000015501 | ASSY,APRON F SG-300                  |
| 2   | 1000002166 | ASSY,CORD HEATER VP-300              |
| 3   | 1000015534 | ASSY,THERMISTOR BOARD SG-540         |
| 4   | 1000013820 | SENSOR,03EN 9572 A65                 |
| 6   | 1000020861 | PAD,CUTTER CG2132                    |
| 7   | 6000005192 | ASSY,CLAMP MEDIA L SV VG2-640        |
| 8   | 6000005193 | ASSY,CLAMP MEDIA R SV VG2-640        |
| 9   | 1000020991 | APRON,F UNDER CG2132                 |
| 10  | 31179106   | SCREW,JACK UP SP-540V                |
| 11  | 1000021084 | FRAME,SIDE BED 2 CG2076              |
| 12  | 1000020863 | APRON,B CG2132                       |
| 13  | 1000010086 | SHUTTER,BED L XF-640                 |
| 14  | 1000019674 | PLATE,SHUTTER BED REAR CG2076        |
| 15  | 1000020057 | STAY,PAPER SENSOR XF-640TH           |
| 16  | 15099115   | SENSOR-INTERRUPTER GP2A25NJ          |
| 17  | 3000000216 | SADDLE,WIRE WS-2N-V0                 |
| 18  | 1000019664 | SHUTTER,BED R CG2076                 |
| 19  | 1000012964 | SHUTTER,HEATER CORD SP-300           |
| 20  | 1000020991 | APRON,F UNDER CG2132                 |
| 101 | 31289102AS | CUPSCREW SET,M3*6 NI 50 PCS.         |
| 102 | 31329501AS | CLAMP SET,PUSH MOUNT RT30SSF5 20P    |
| 103 | 31289109AS | CUPSCREW SET,M3*4 NI 100 PCS         |
| 104 | 3000000426 | CAP-SCREW,4*10 NI 100PCS             |
| 105 | 31289105AS | CUPSCREW SET, M3*6 3CBC 100 PCS      |
| 106 | 3000000172 | SCREW SET,CAP M4*8 NI WSH4*9*0.8 20P |
| 107 | 31289112AS | CUPSCREW SET,M3*10 NI 100 PCS.       |
| 108 | 31299102AS | RIVET SET,NYLON P2655B 20 PCS.       |
| 109 | 3000000425 | CAP-SCREW,3*8 NI 100PCS              |
| 110 | 31409702   | SADDLE SET,LOCKING WIRE LES-1010 20P |
| 111 | 31029101   | BUSH,NB-19                           |
| 112 | 31239112   | SCREW SET,W-SEMS M3*45 3CBC 50 PCS.  |
| 113 | 3000000547 | SCREW,CUP P-TIGHT 3X6 NI             |
| 114 | 3000000548 | SCREW,CUP P-TIGHT 3x8 3CBC           |



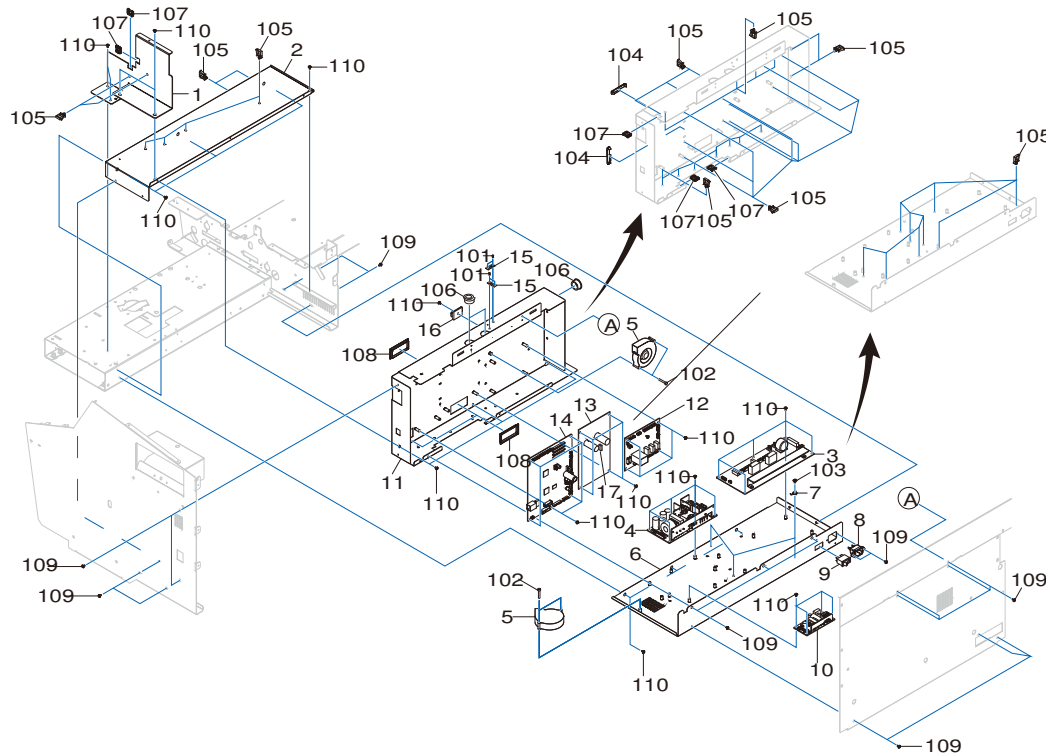
| Pos | Code       | Description                           |
|-----|------------|---------------------------------------|
| 1   | 1000019755 | BASE,CL CARTRIDGE CG2076              |
| 2   | 1000014586 | TRAY, INK POUCHES VG-640              |
| 3   | 1000018348 | FRAME,HOLDER I/C2 CG2023              |
| 4   | 1000017453 | HOLDER,CARTRIDGE LED CG2023           |
| 5   | 1000017428 | ASSY,CARTRIDGE LED BOARD CG2032       |
| 6   | 1000017438 | SPRING,PLATE I/C CG2023               |
| 7   | 1000017437 | LEVER,INK EMPTY CG2023                |
| 8   | 1000014443 | NEEDLE,FAI1.2 VG-640                  |
| 9   | 1000007988 | RING,O 1.1*5.5                        |
| 10  | 1000017435 | HOLDER,NEEDLE I/C CG2023              |
| 11  | 1000011069 | SENSOR-INTERRUPTER,OJ-535S-A5         |
| 12  | 1000019757 | TRAY,CL CARTRIDGE CG2076              |
| 13  | 1000017442 | HOLDER,CIRCULATION VALVE CG2023       |
| 14  | 1000018523 | SOLENOID,TDS-08A DC-24V TYPE2         |
| 15  | 1000020061 | SPRING,VALVE BIF-2TH                  |
| 16  | 1000019097 | VALVE,CHOKE CG2057                    |
| 17  | 1000017901 | ADAPTER,JOINT 3L CG2023               |
| 18  | 1000020264 | PIPE,WR0640                           |
| 101 | 31289102AS | CUPSCREW SET,M3*6 NI 50 PCS.          |
| 102 | 31019702AS | SCREW SET,BIND P-TIGHT M3*6 3C 100P   |
| 103 | 31409811AS | SADDLE SET,LOCKING WIRE LWS-1211Z 20P |
| 104 | 31409702   | SADDLE SET,LOCKING WIRE LES-1010 20P  |
| 105 | 31289105AS | CUPSCREW SET, M3*6 3CBC 100 PCS       |
| 106 | 3000000412 | BIND,P-TIGHT 2*8 3C 20PCS.            |
| 107 | 31149704AS | RING SET,E-RING ETW-6 SUS 100 PCS     |
| 108 | 31329601AS | CLAMP SET,INSULOK T-18S 100 PCS.      |
| 109 | 31289105AS | CUPSCREW SET, M3*6 3CBC 100 PCS       |



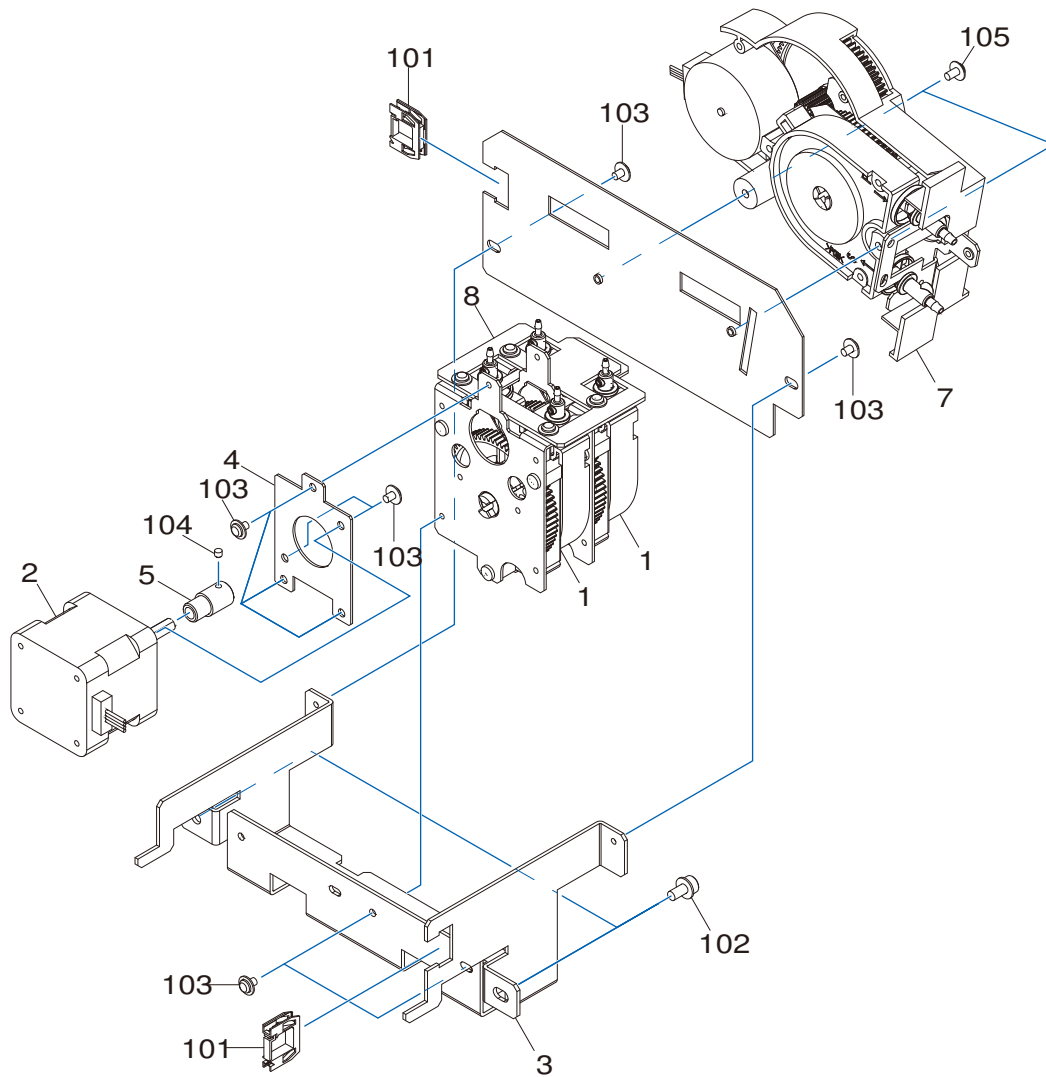


| Pos | Code       | Description                          |
|-----|------------|--------------------------------------|
| 1   | 1000018512 | BUSH,80F-0603                        |
| 2   | 1000015458 | FRAME,BACKUP CAP SG-540              |
| 3   | 1000015460 | FRAME,BASE CAP SG-540                |
| 4   | 1000015461 | STAY,ADJUSTER F CAP SG-540           |
| 5   | 1000015462 | STAY,ADJUSTER R CAP SG-540           |
| 6   | 1000014455 | GUIDE,SLIDE CAP VG-640               |
| 7   | 1000015456 | SPRING,CAP SLIDE SG-540              |
| 8   | 1000015457 | SHAFT,CAP LIFT SG-540                |
| 9   | 1000014468 | STOPPER,ARM CAP VG-640               |
| 10  | 1000019699 | STAY,TUBE CAP CG2076                 |
| 11  | 6000004658 | ASSY,CAP TOP SV CG2076               |
| 13  | 1000014760 | HOLDER,CAP VG-640                    |
| 14  | 1000015460 | FRAME,BASE CAP SG-540                |
| 15  | 1000019700 | GROMMET,RUBBER TM-346-13             |
| 16  | 1000020080 | SUPPORT,GUIDE SLIDE CAP VG-640TH     |
| 17  | 1000020068 | PLATE,CAP UNDER VG-640TH             |
| 18  | 1000015183 | SPRING,CAP SWING VS-640              |
| 101 | 31289102AS | CUPSCREW SET,M3*6 NI 50 PCS.         |
| 102 | 31409702   | SADDLE SET,LOCKING WIRE LES-1010 20P |
| 103 | 3000000560 | SADDLE,LOCKING WIRE LWS-0711Z_TH     |
| 104 | 31049154AS | SCREW SET,CAP M3*6 NI+PW 20 PCS      |
| 105 | 3000000216 | SADDLE,WIRE WS-2N-V0                 |

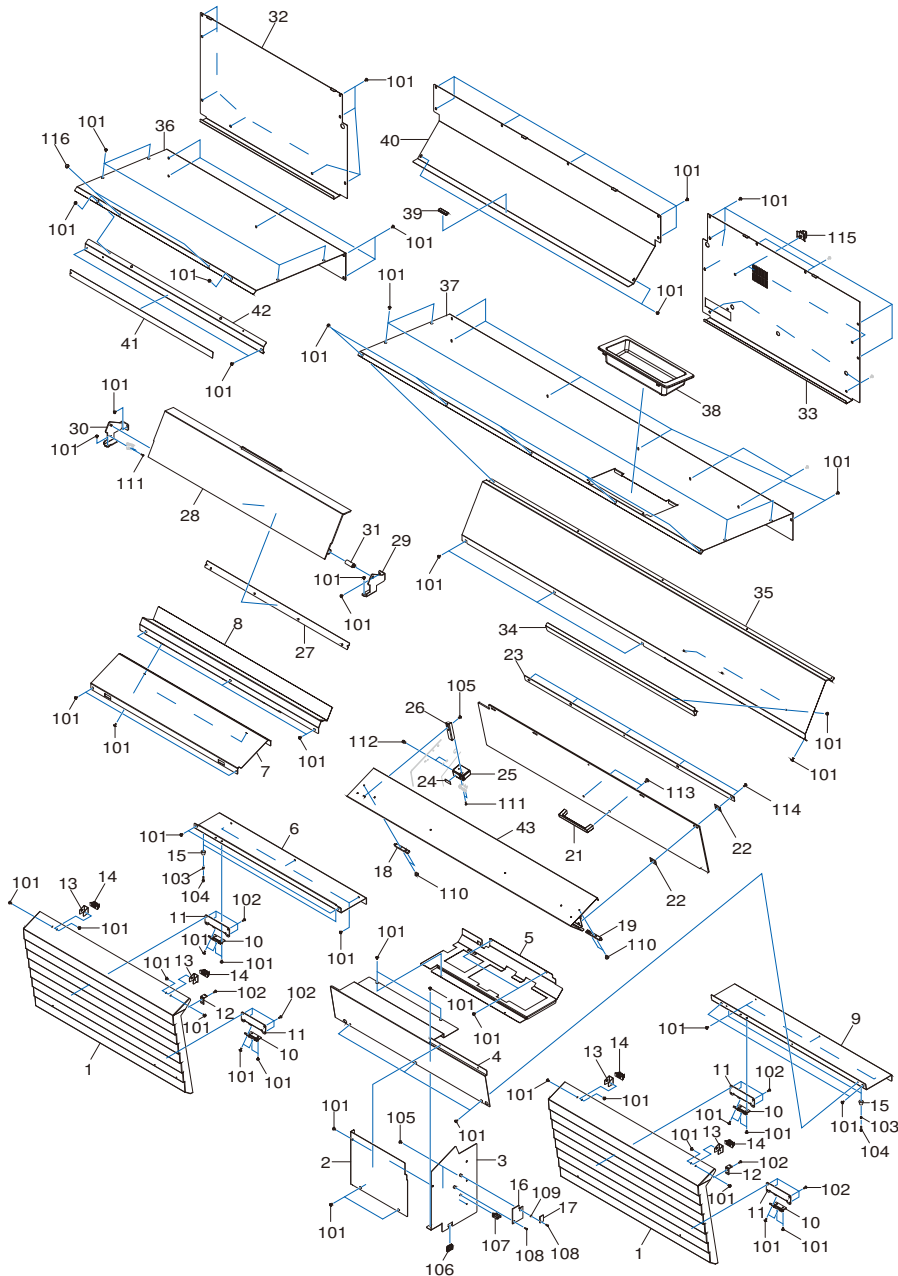




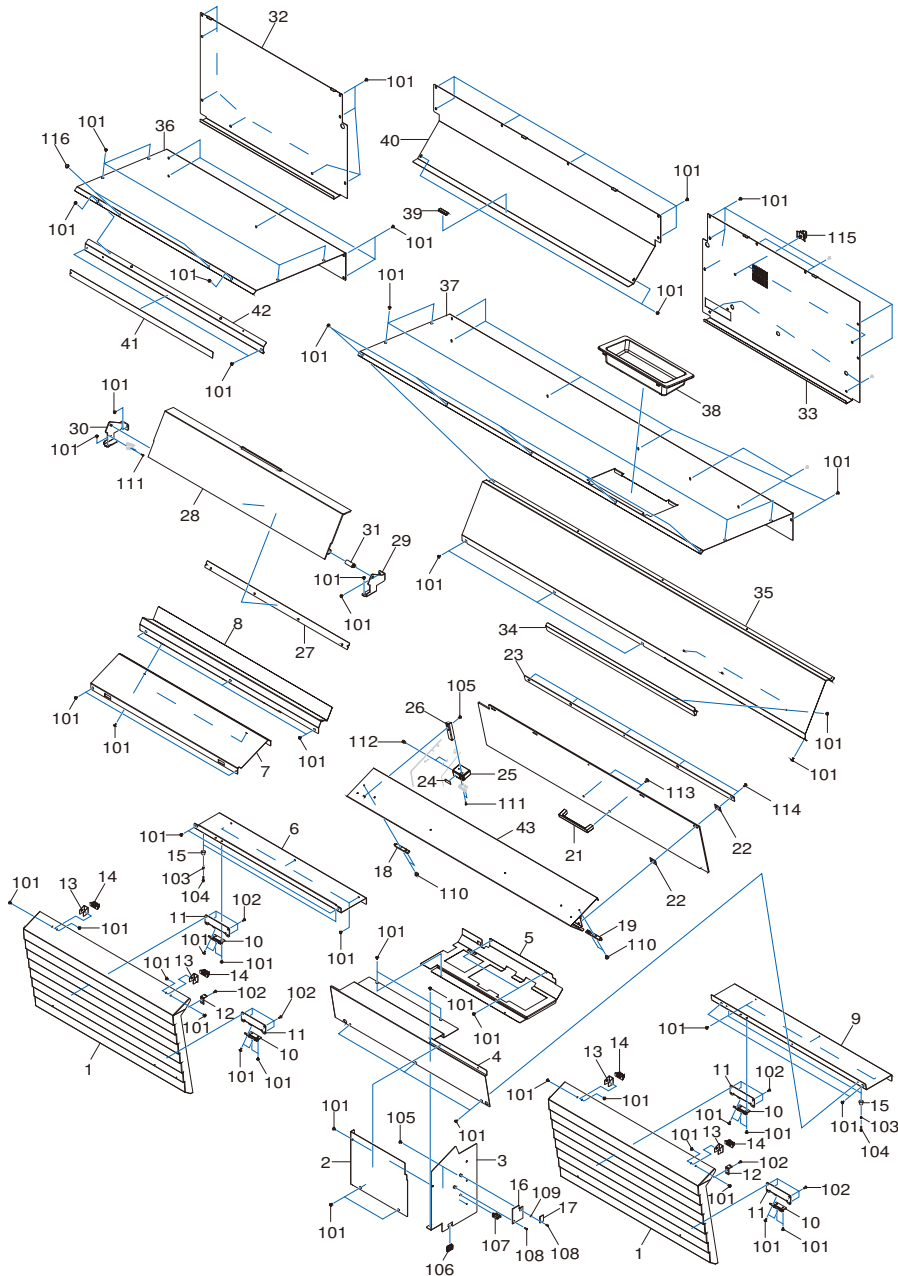
| Pos | Code       | Description                           |
|-----|------------|---------------------------------------|
| 1   | 1000018779 | STAY,SERVO BOARD CG2076               |
| 2   | 1000020260 | STAY,CHASSIS COVER CG2076             |
| 3   | 1000018538 | ASSY,HEATER CONTROL BOARD CG2075      |
| 4   | 1000014605 | POWER UNIT,ZWS240BP-36/R(37)          |
| 5   | 1000018511 | FAN,9BD24FA6-1+CN                     |
| 6   | 1000019640 | BASE,CHASSIS POWER CG2076             |
| 7   | 31329601AS | CLAMP SET,INSULOK T-18S 100 PCS.      |
| 8   | 13429702   | INLET AC P01CF01 15A250V              |
| 9   | 1000018525 | SW,POWER AJ8201BF                     |
| 10  | 1000010042 | POWER UNIT,ZWS30B-5                   |
| 11  | 1000019643 | BASE,CHASSIS BOARD CG2076             |
| 12  | 6000004233 | ASSY,SIGNAL JUNCTION BOARD CG2075     |
| 13  | 6000005119 | ASSY,FM3 SERVO BOARD CG2075_01        |
| 14  | 6000005189 | ASSY,MAIN BOARD SV VG2-640            |
| 14  | 6000005218 | ASSY,MAIN BOARD SV SG2-640            |
| 14  | 6000005504 | ASSY,MAIN BOARD SV2 SG2-640           |
| 15  | 1000015428 | PLATE,CABLE SLIT SG-540               |
| 16  | 1000015261 | CLAMP,FCM1-S6                         |
| 17  | 12559102   | FUSE 11CT 3.15A                       |
| 101 | 31299102AS | RIVET SET,NYLON P2655B 20 PCS.        |
| 102 | 3000000423 | CAP-SCREW,4*25 3CBC 100PCS            |
| 102 | 31049137AS | SCREW SET,CAP M4*25 3CBC 20 PCS       |
| 103 | 31289111AS | CUPSCREW SET, M4*6 NI 100 PCS.        |
| 104 | 3000000033 | CLAMP,WIRE PLESS RFC-45VO             |
| 105 | 31409811AS | SADDLE SET,LOCKING WIRE LWS-1211Z 20P |
| 106 | 31029101   | BUSH,NB-19                            |
| 107 | 31409702   | SADDLE SET,LOCKING WIRE LES-1010 20P  |
| 108 | 31029106   | BUSH,SQUARE SB-6025                   |
| 109 | 31289105AS | CUPSCREW SET, M3*6 3CBC 100 PCS       |
| 110 | 31289102AS | CUPSCREW SET,M3*6 NI 50 PCS.          |



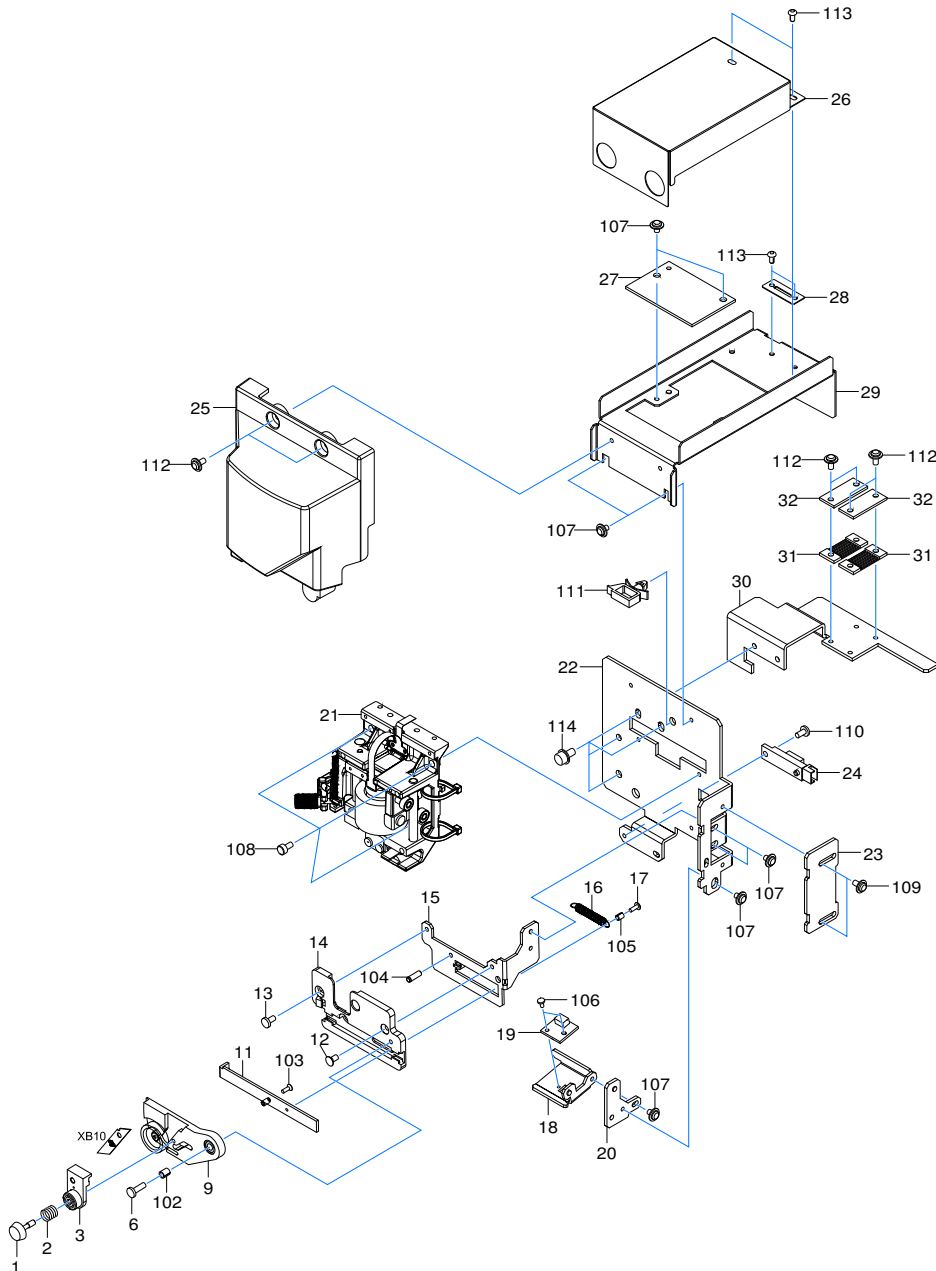
| Pos | Code       | Description                          |
|-----|------------|--------------------------------------|
| 1   | 6000004717 | ASSY,PUMP SUB SV CG2076              |
| 2   | 1000018514 | MOTOR,103-5208-85542                 |
| 3   | 1000019751 | STAY,PUMP CG2076                     |
| 4   | 1000020054 | PLATE,P-MOTOR XC-540TH               |
| 5   | 1000012988 | GEAR,S10B20                          |
| 6   | 1000019752 | STAY,WIPER PUMP CG2076               |
| 7   | 6000005252 | ASSY,PRESS PUMP SV2 CG2076           |
| 8   | 1000021377 | PLATE,PUMP JOINT 2 CG2075            |
| 101 | 31409702   | SADDLE SET,LOCKING WIRE LES-1010 20P |
| 102 | 3000000172 | SCREW SET,CAP M4*8 NI WSH4*9*0.8 20P |
| 103 | 31289109AS | CUPSCREW SET,M3*4 NI 100 PCS         |
| 104 | 31199701AS | SCREW SET,SET WP M3*3 NI 20 PCS      |
| 105 | 31089117   | SCREW SET,PAN 3*6 NI+PW 100 PCS.     |



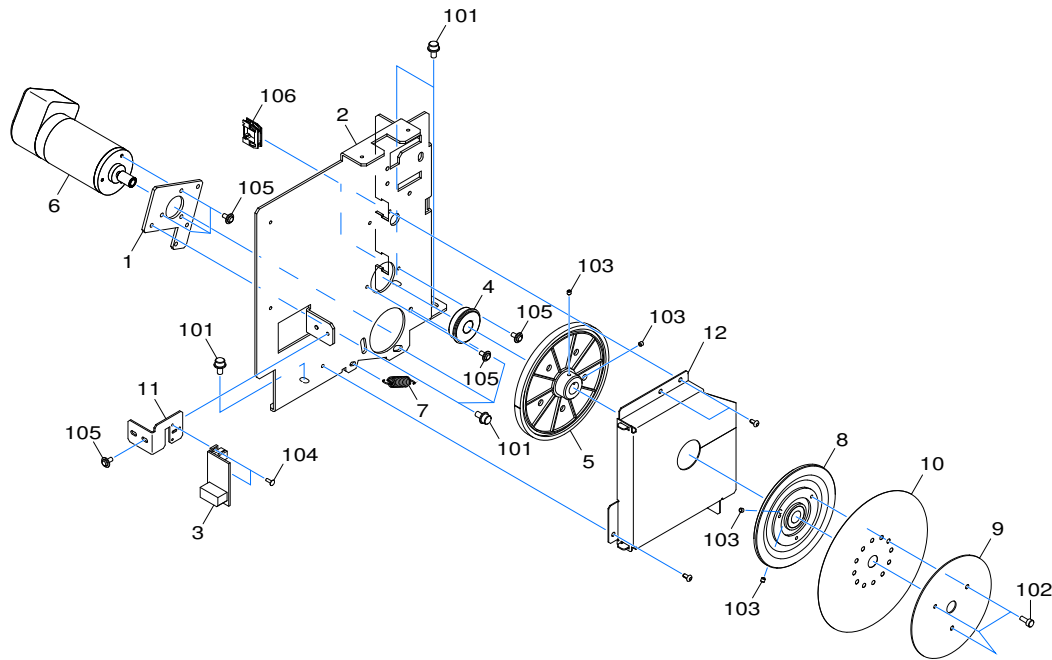
| Pos | Code       | Description                    |
|-----|------------|--------------------------------|
| 1   | 1000020102 | COVER,SIDE CG2076              |
| 2   | 1000019412 | COVER,PANEL UNDER 2 SG-540     |
| 3   | 1000019686 | COVER,FEED MOTOR CG2076        |
| 4   | 1000019711 | COVER,MAINTENANCE F CG2076     |
| 5   | 1000019642 | COVER,MAINTENANCE CG2076       |
| 6   | 1000015402 | COVER,UNDER L SG-540           |
| 7   | 1000021149 | PLATE,COVER L CG2092           |
| 8   | 1000015401 | COVER,INK PANEL UNDER SG-540   |
| 9   | 1000015415 | COVER,UNDER R SG-540           |
| 10  | 1000018506 | HINGE,BP-151-1                 |
| 11  | 1000015406 | STAY,COVER SG-540              |
| 12  | 1000015417 | STAY,COVER M SW SG-540         |
| 13  | 1000019406 | STAY,COVER CATCH 2 SG-540      |
| 14  | 1000019423 | MAGNET,SM-133                  |
| 15  | 11879107   | ABSORBER TK-12                 |
| 16  | 1000015537 | ASSY,BLE JUNCTION BOARD SG-540 |
| 17  | 1000014067 | BLE-MODULE,LBCA2ZZVZE-722      |
| 18  | 1000019687 | SHAFT,COVER CG2076             |
| 19  | 1000019720 | SHAFT,COVER FRONT R CG2076     |
| 20  | 1000020859 | PLATE,FRONT COVER CG2132       |
| 21  | 1000014578 | KNOB,A-165-4                   |
| 22  | 21425110   | WASHER,COVER FJ-50             |
| 23  | 1000020860 | STAY,COVER FRONT CG2132        |
| 24  | 1000017768 | PAD,FRONT COVER CG2023         |
| 25  | 1000019690 | STAY,COVER INT CG2076          |
| 26  | 1000019689 | HOOK,INT SW CG2076             |
| 27  | 1000014822 | LABEL,EMPTY LAMP VG-640#LA2169 |
| 28  | 1000014364 | COVER,INK CARTRIDGE VG-640     |
| 29  | 1000017358 | HINGE,COVER INK R CG2032       |
| 30  | 1000020771 | HINGE,COVER INK L CG2092       |
| 31  | 1000014485 | DAMPER,TD75 B1-1K              |
| 32  | 1000019685 | COVER,BACK L CG2076            |
| 33  | 1000019682 | COVER,CHASSIS CG2076           |
| 34  | 1000015418 | DOCK,TABLET PC SG-540          |
| 35  | 1000020856 | PLATE,COVER F CG2132           |
| 36  | 1000020773 | COVER,TOP L CG2092             |
| 37  | 1000020855 | COVER,TOP R CG2132             |
| 38  | 1000017762 | TRAY,TOOL CG2023               |
| 39  | 1000015160 | GASKET,STGH 5-8 L=30MM         |
| 40  | 1000020857 | COVER,RAIL CG2132              |



| Pos | Code       | Description                          |
|-----|------------|--------------------------------------|
| 41  | 1000018948 | LABEL, SET INK SG-540#LA3239         |
| 42  | 1000020772 | COVER,INK PANEL CG2092               |
| 43  | 1000020858 | COVER,FRONT CG2132                   |
| 101 | 31289105AS | CUPSCREW SET, M3*6 3CBC 100 PCS      |
| 102 | 31019703   | SCREW,BINDING P-TIGHT M3*8 3C 100P   |
| 103 | 31029802AS | BUSH SET,ROLL 3*3.5 3C 100PCS.       |
| 104 | 31049171AS | SCREW SET,CAP M3*12 NI 50 PCS.       |
| 105 | 31289102AS | CUPSCREW SET,M3*6 NI 50 PCS.         |
| 106 | 31409702   | SADDLE SET,LOCKING WIRE LES-1010 20P |
| 107 | 3000000216 | SADDLE,WIRE WS-2N-V0                 |
| 108 | 3000000431 | NABE,2.5*8 NI 20PCS.                 |
| 109 | 31029820   | BUSH SET,ROLL 3*2 3C 50PCS           |
| 110 | 31289110AS | CUPSCREW SET, M4*8 3CBC 100 PCS      |
| 111 | 31019149   | SCREW SET,BINDING M2.3*8 3CBC 100PCS |
| 112 | 3000000430 | CAP-SCREW,4*6 NI                     |
| 112 | 31799107   | SCREW SET,CAP M4*6 NI 20PCS          |
| 113 | 3000000500 | BIND,5*8 NI                          |
| 114 | 3000000200 | SCREW SET,CUP 3*8 NI MEKKU 20PCS     |
| 115 | 31379111   | CLAMP,CABLE CKS-13-H                 |
| 116 | 12239406   | CUSHION,TM-96-6                      |

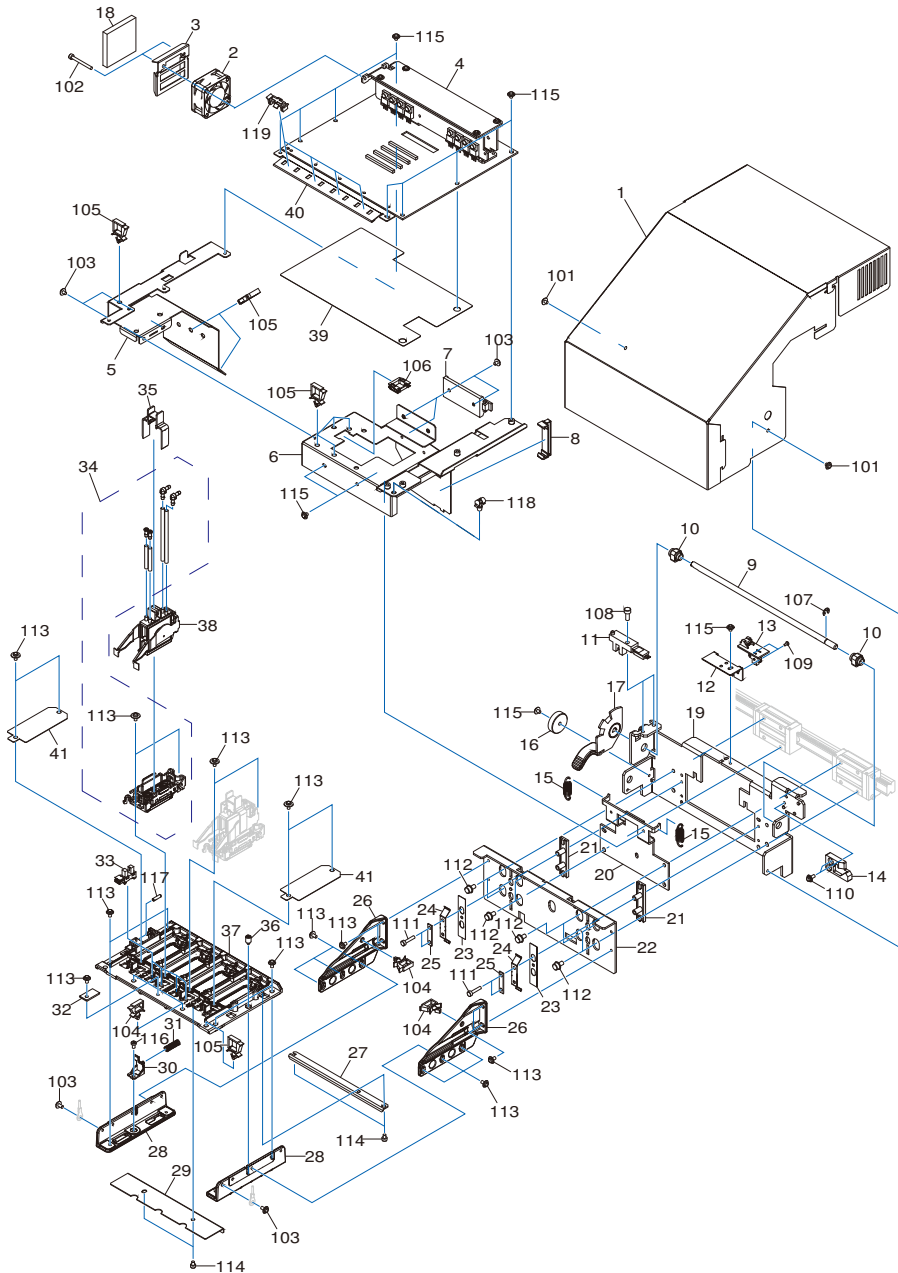


| Pos | Code       | Description                         |
|-----|------------|-------------------------------------|
| 1   | 21495115   | SCREW,BLADE SET CM-500              |
| 2   | 1000012948 | SPRING,SCREW CM-500                 |
| 3   | W021765110 | CLAMP,BLADE CM-500                  |
| 6   | 31019118AS | SCREW SET,BINDING M3*10 3CBC 100PCS |
| 9   | 22805291   | ASSY,HOLDER BLADE SV CM-500         |
| 11  | 22805287   | ASSY,PLATE CAM SLIDE SV CM-500      |
| 12  | 31169103AS | SCREW SET,FLAT M3*6 3CBC 100 PCS    |
| 13  | 31019116AS | SCREW SET,BINDING M3*6 3CBC 100 PCS |
| 14  | 6000004729 | BASE,CUTTER CG2076                  |
| 15  | 1000020661 | FRAME,CUTTER 2 CG2076               |
| 16  | 1000012947 | SPRING,BLADE UP CM-500              |
| 17  | 31229103AS | SCREW SET,TRUSS M2*6 NI 100 PCS     |
| 18  | 1000019641 | STAY,CROP SENSOR CG2076             |
| 19  | 6000004234 | ASSY,CROP SENSOR BOARD CG2075       |
| 20  | 1000021701 | PLATE,CUT CARRIAGE2 CG2076          |
| 21  | 6000004664 | ASSY,CUT TOOL T CG2076_01           |
| 22  | 1000020660 | FRAME,CUT CARRIAGE 2 CG2076         |
| 23  | 1000018764 | PLATE,ADJUSTER MAGNET CG2076        |
| 24  | 15099115   | SENSOR-INTERRUPTER GP2A25NJ         |
| 25  | 1000020806 | COVER,CUT CARRIAGE CG2076           |
| 25  | 1000021701 | PLATE,CUT CARRIAGE2 CG2076          |
| 26  | 1000019650 | COVER,CUT BOARD CG2076              |
| 27  | W704890120 | ASSY,CUT CARRIAGE CG2075_01         |
| 28  | 1000015428 | PLATE,CABLE SLIT SG-540             |
| 29  | 1000019708 | STAY,CUT CARRIAGE BOARD CG2076      |
| 30  | 1000015486 | STAY,HOLDER BELT SG-540             |
| 31  | 1000015114 | HOLDER,BELT EGX-600_01              |
| 32  | 1000020055 | COVER,BELT HOLDER EGX-600TH         |
| 102 | 31029803AS | BUSH SET,ROLL 3*5 3C 20PCS.         |
| 103 | 31169111   | SCREW SET,FLAT M2*6 NI 100 PCS.     |
| 104 | 3000000617 | SET-SCREW,FP 3*10 3C MEKKU          |
| 105 | 31029801AS | BUSH SET,ROLL 2*4 3C100PCS          |
| 106 | 31019169   | SCREW SET,BINDING M2*4 NI 100 PCS.  |
| 107 | 31289109AS | CUPSCREW SET,M3*4 NI 100 PCS        |
| 108 | 31049105AS | SCREW SET,CAP M3*6 3CBC 20 PCS      |
| 109 | 31089117   | SCREW SET,PAN 3*6 NI+PW 100 PCS.    |
| 110 | 31019116AS | SCREW SET,BINDING M3*6 3CBC 100 PCS |
| 111 | 31409801AS | SADDLE,LOCKING WIRE LWS-0711Z 20P   |
| 112 | 31289102AS | CUPSCREW SET,M3*6 NI 50 PCS.        |
| 113 | 31299102AS | RIVET SET,NYLON P2655B 20 PCS.      |



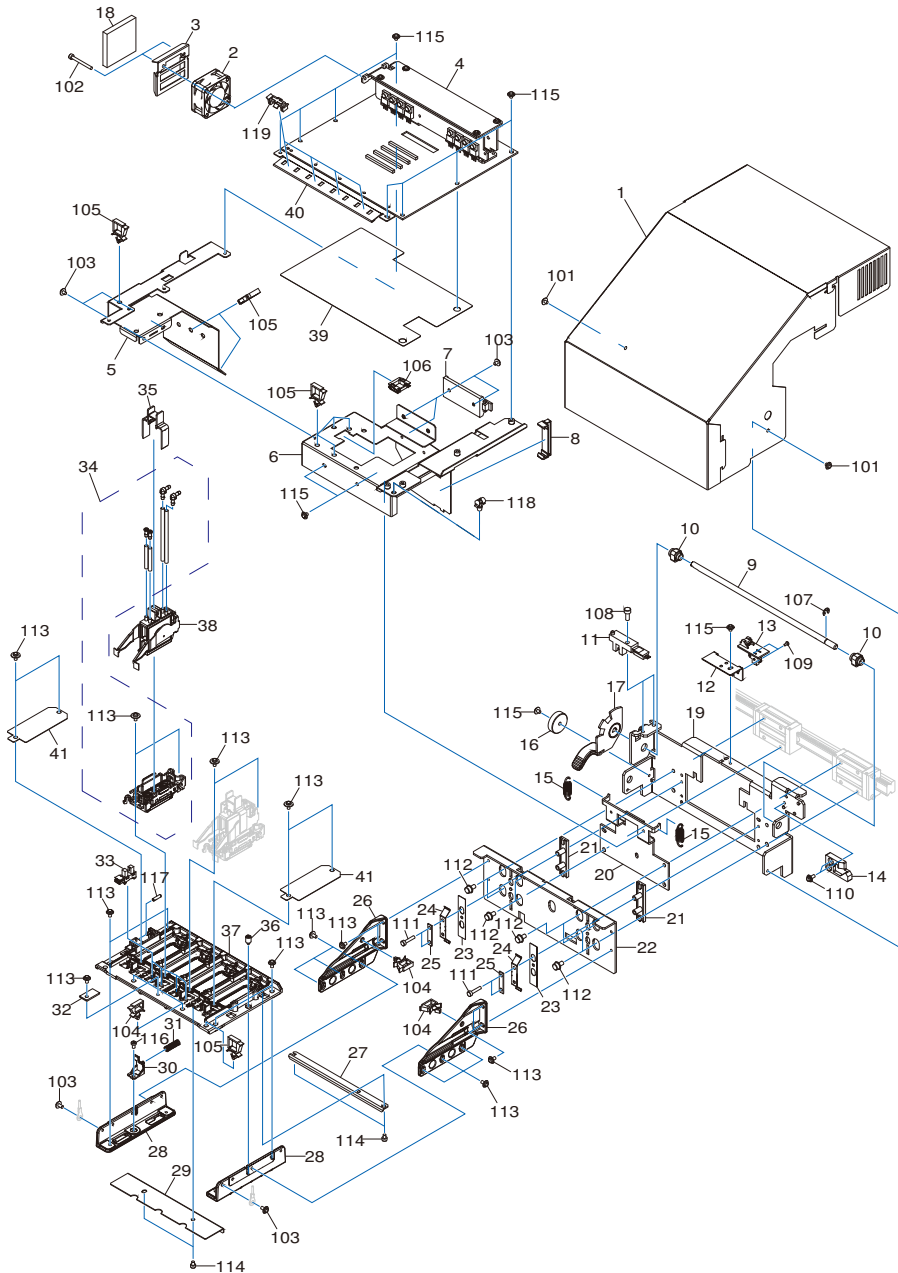
| Pos | Code       | Description                          |
|-----|------------|--------------------------------------|
| 1   | 1000014906 | FLANGE,MOTOR FEED VS-640I            |
| 2   | 1000019709 | STAY,SUPPORT RAIL R CG2076           |
| 3   | W704890130 | ASSY,GRIT ENCODER CG2075_01          |
| 4   | 1000006709 | R-BEARING,6000ZZNR*NS7S              |
| 5   | 21685128   | GEAR H300 S10(B6C16POM)              |
| 6   | 6000002592 | ASSY,FEED MOTOR VS-640_01            |
| 7   | 22175157   | SPRING,C P-ROLLER CM-500             |
| 8   | 1000002593 | FLANGE,GRIT-ENCORDER VP-540          |
| 9   | 1000015595 | STOPPER,GRIT-ENCORDER VP-540         |
| 10  | 1000015584 | SHEET,ROTARY DISK SLIT 360LPI        |
| 11  | 1000014904 | STAY,G-ENCODER SENSOR VP-540         |
| 12  | 1000014121 | COVER,FEED GEAR RE-640               |
| 101 | 3000000172 | SCREW SET,CAP M4*8 NI WSH4*9*0.8 20P |
| 102 | 31049170AS | SCREW SET,CAP M3*8 NI 50 PCS.        |
| 103 | 31199701AS | SCREW SET,SET WP M3*3 NI 20 PCS      |
| 104 | 31229103AS | SCREW SET,TRUSS M2*6 NI 100 PCS      |
| 105 | 31289102AS | CUPSCREW SET,M3*6 NI 50 PCS.         |
| 106 | 31409702   | SADDLE SET,LOCKING WIRE LES-1010 20P |



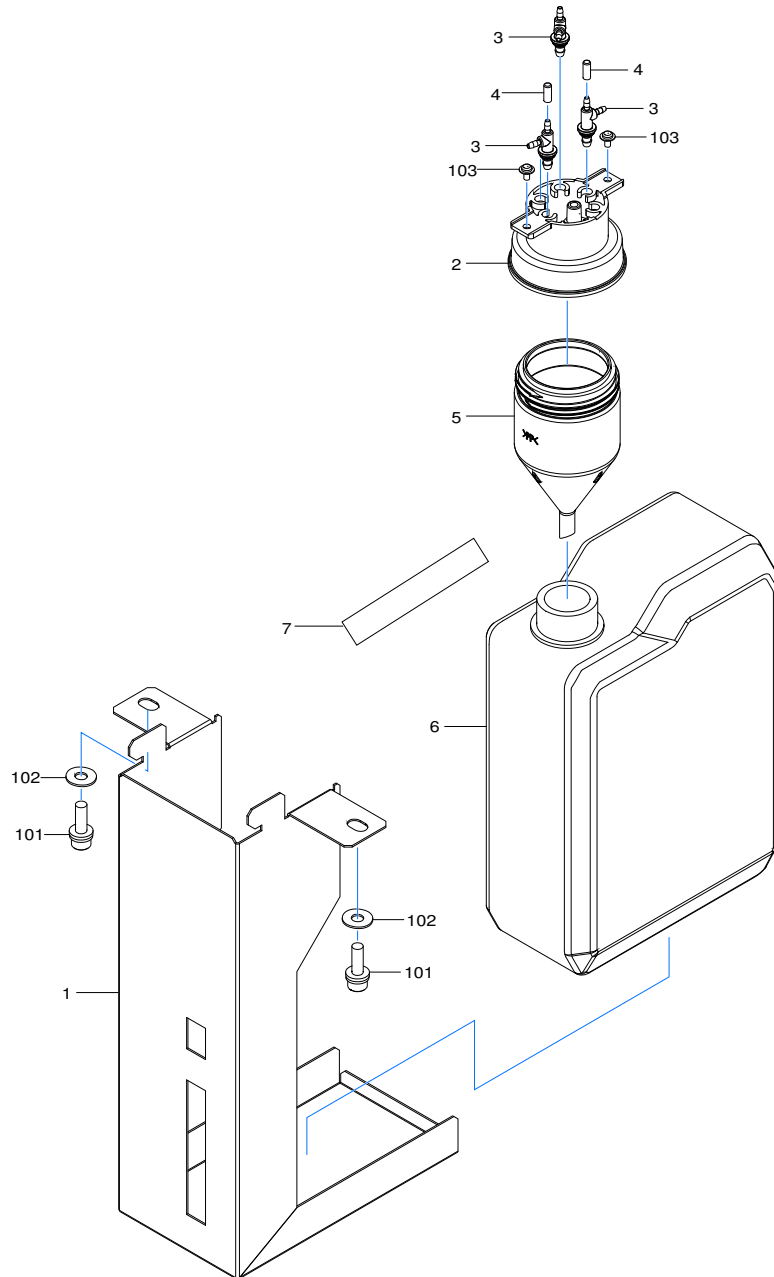


| Pos | Code       | Description                         |
|-----|------------|-------------------------------------|
| 1   | 1000020028 | COVER,PRINT CARRIAGE CG2076         |
| 2   | 1000018524 | FAN,109P0424H642_80                 |
| 3   | 1000019713 | STAY,CARRIAGE FILTER CG2076         |
| 4   | 6000004973 | ASSY,PRINT CARRIAGE BOARD CG2092_00 |
| 5   | 1000019636 | STAY,CARRIAGE TUBE CG2076           |
| 6   | 1000019710 | STAY,HOLDER CARRIAGE B CG2076       |
| 7   | 11769118   | CLAMP,FCM2-S6-14                    |
| 8   | 1000015378 | GUIDE,TUBE SG-540                   |
| 9   | 1000019637 | SHAFT,CARRIAGE CG2076               |
| 10  | 1000019707 | CAM,CARRIAGE CG2076                 |
| 11  | 1000006689 | SENSOR-INTERRUPTER,EE-SX4009-P1     |
| 12  | 1000015477 | PLATE,ENC SENS SG-540               |
| 13  | 1000015533 | ASSY,LINEAR ENCODER BOARD SG-540    |
| 14  | 21345105   | LOCK,CJ-500                         |
| 15  | 1000020071 | SPRING,PULL CARRIAGE 5700 VG-640TH  |
| 16  | 1000011928 | MAGNET,SMF-2144                     |
| 17  | 1000019638 | LEVER,CARRIAGE CG2076               |
| 18  | 1000019714 | FILTER,CARRIAGE CG2076              |
| 19  | 1000020800 | BASE,HOLDER CARRIAGE CG2076_TH      |
| 19  | 1000022213 | BASE,HOLDER CARRIAGE2 CG2076_TH     |
| 20  | 1000020070 | SUPPORT,CARRIAGE BOARD EJ-640TH     |
| 21  | 1000015113 | SLIDER,CARRIAGE FJ-540_02           |
| 22  | 1000020069 | FRAME,CARRIAGE U/D VG-640TH         |
| 23  | 1000020067 | PLATE,SLIDER CARRIAGE FJ-540TH      |
| 24  | 1000014902 | SPRING,CARRIAGE SIDE FJ-50          |
| 25  | 1000020066 | SPACER,CARRIAGE SLIDE XF-640TH      |
| 26  | 1000014771 | BASE,CARRIAGE SIDE ADC VG-640       |
| 27  | 1000016913 | COVER,IJ HEAD REAR VG-640           |
| 28  | 1000014773 | STAY,CARRIAGE ADC VG-640            |
| 29  | 1000019102 | COVER,CARRIAGE MIST VG-640_02       |
| 30  | 1000014774 | BLOCK,ADJUST CARRIAGE VG-640        |
| 31  | 1000014902 | SPRING,CARRIAGE SIDE FJ-50          |
| 32  | 1000015534 | ASSY,THERMISTOR BOARD SG-540        |
| 33  | 1000011069 | SENSOR-INTERRUPTER,OJ-535S-A5       |
| 34  | 6000004770 | ASSY,IJ HEAD SOL 250L SV CG2076     |
| 35  | 1000015045 | GUARD,FFC HEAD VG-640               |
| 36  | 1000015479 | PIN,PIVOT SCREW SG-540              |
| 37  | 1000018832 | BASE,CARRIAGE ADC VG-640_02         |
| 38  | 1000019701 | ASSY,DAMPER DOUBLE CIR CG2075       |
| 39  | 1000020736 | COVER,CARRIAGE BOARD UNDER2 CG2076  |

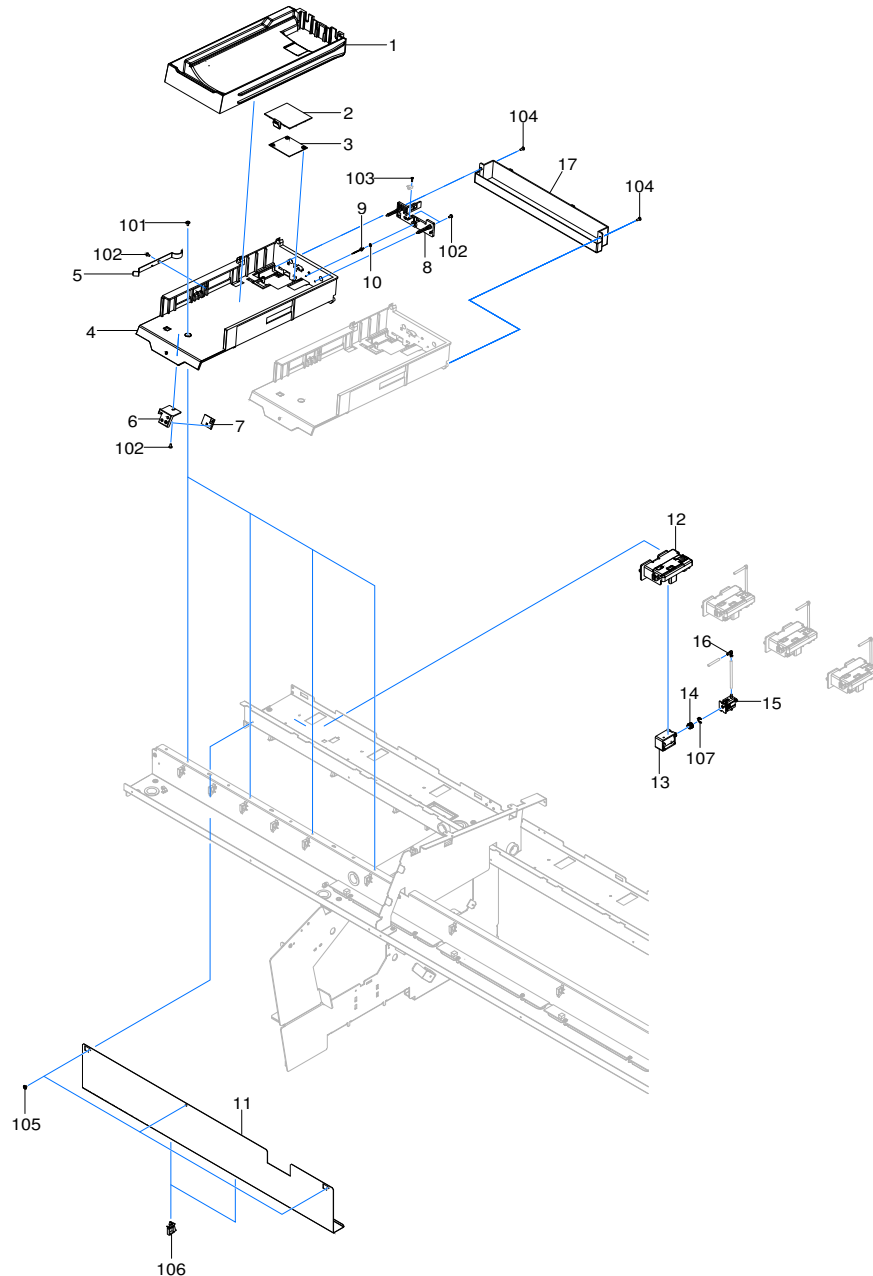




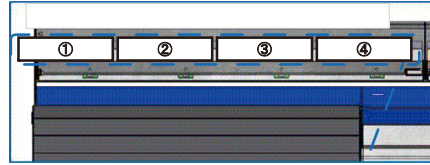
| Pos | Code       | Description                           |
|-----|------------|---------------------------------------|
| 40  | 1000019712 | STAY,HEAD FFC CG2076                  |
| 41  | 1000015478 | SHEET,HEAD COVER SG-540               |
| 101 | 31089110AS | SCREW SET,PAN M3*4 NI+PW 100 PCS      |
| 102 | 3000000465 | CAP-SCREW,3*30 NI 100PCS              |
| 103 | 31289102AS | CUPSCREW SET,M3*6 NI 50 PCS.          |
| 104 | 3000000560 | SADDLE,LOCKING WIRE LWS-0711Z_TH      |
| 105 | 31409811AS | SADDLE SET,LOCKING WIRE LWS-1211Z 20P |
| 106 | 31409702   | SADDLE SET,LOCKING WIRE LES-1010 20P  |
| 107 | 3000000557 | RING,E ETW-ES4 3C_TH                  |
| 108 | 3000000426 | CAP-SCREW,4*10 NI 100PCS              |
| 109 | 31019169   | SCREW SET,BINDING M2*4 NI 100 PCS.    |
| 110 | 3000000429 | W-SEMS,3*8 SUS 100PCS                 |
| 111 | 3000000462 | CAP-SCREW,3*15 NI 100PCS              |
| 112 | 3000000172 | SCREW SET,CAP M4*8 NI WSH4*9*0.8 20P  |
| 113 | 31089117   | SCREW SET,PAN 3*6 NI+PW 100 PCS.      |
| 114 | 31049119   | SCREW SET,CAP M3*4 NI 20PCS.          |
| 115 | 31289109AS | CUPSCREW SET,M3*4 NI 100 PCS          |
| 116 | 3000000414 | LH-SCREW,CSHBTT-SUS-M3-5 20PCS        |
| 117 | 3000000413 | SET-SCREW,MARUSAKI_3_12_NI 20PCS      |
| 118 | 31329501AS | CLAMP SET,PUSH MOUNT RT30SSF5 20P     |
| 119 | 3000000549 | CLAMP,WIRE PRESS RFC-16V0             |



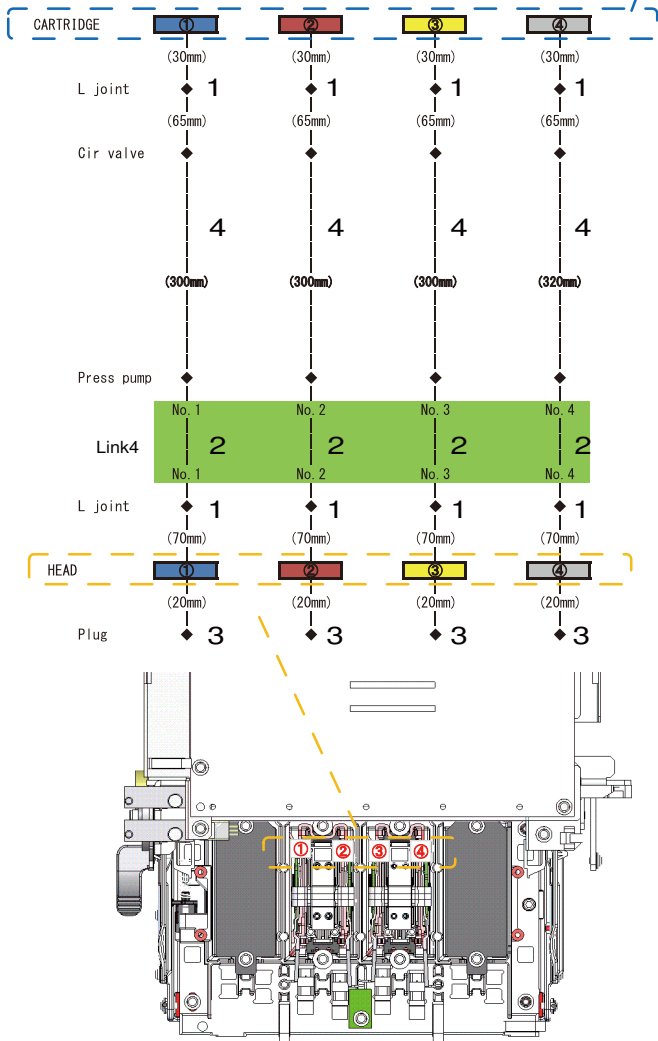
| Pos | Code       | Description                         |
|-----|------------|-------------------------------------|
| 1   | 1000020945 | HOLDER,BOTTLE INK2 CG2076           |
| 2   | 1000019746 | CAP,PP BOTTLE CG2075                |
| 3   | 1000001577 | ADAPTER,TUBE 2-4-T XC-540           |
| 4   | 1000002019 | STOPPER,PUMP XC-540                 |
| 5   | 1000019739 | GUIDE,INK FUNNEL CG2075             |
| 6   | 11369122   | CASE,PE BOTTLE 5-038-03             |
| 7   | 1000021531 | LABEL,GUIDE DRAIN BOTTLE#LA3662     |
| 101 | 31049157   | SCREW,CAP M6*20 3CBC+PW+SW          |
| 102 | 31249220AS | WASHER SET,PLAIN 6.5*16*1 NI 100PCS |
| 103 | 31089117   | SCREW SET,PAN 3*6 NI+PW 100 PCS.    |



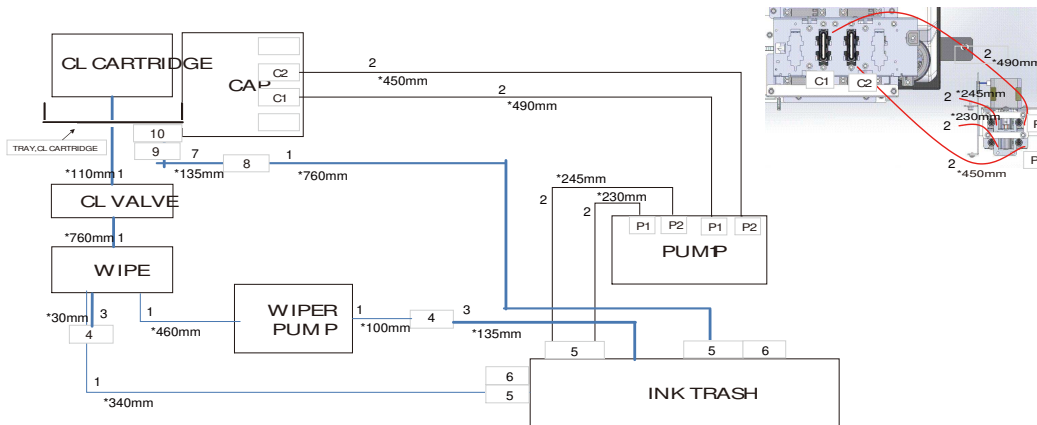
| Pos | Code       | Description                           |
|-----|------------|---------------------------------------|
| 1   | 1000014586 | TRAY, INK POUCHES VG-640              |
| 2   | 1000017439 | COVER,RFID I/C CG2023                 |
| 3   | 1000014128 | RFID-MODULE,LXRFZZHAAA-022            |
| 4   | 1000018348 | FRAME,HOLDER I/C2 CG2023              |
| 5   | 1000017438 | SPRING,PLATE I/C CG2023               |
| 6   | 1000017453 | HOLDER,CARTRIDGE LED CG2023           |
| 7   | 1000017428 | ASSY,CARTRIDGE LED BOARD CG2032       |
| 8   | 1000017435 | HOLDER,NEEDLE I/C CG2023              |
| 9   | 1000014443 | NEEDLE,FAI1.2 VG-640                  |
| 10  | 1000007988 | RING,O 1.1*5.5                        |
| 11  | 1000020768 | COVER,INK TUBE ROUTE CG2092           |
| 12  | 1000017442 | HOLDER,CIRCULATION VALVE CG2023       |
| 13  | 1000018523 | SOLENOID,TDS-08A DC-24V TYPE2         |
| 14  | 1000020061 | SPRING,VALVE BIF-2TH                  |
| 15  | 1000019097 | VALVE,CHOKE CG2057                    |
| 16  | 1000017901 | ADAPTER,JOINT 3L CG2023               |
| 17  | 1000017443 | TRAY,INK HOLDER CG2023                |
| 101 | 31289105AS | CUPSCREW SET, M3*6 3CBC 100 PCS       |
| 102 | 31019702AS | SCREW SET,BIND P-TIGHT M3*6 3C 100P   |
| 103 | 3000000412 | BIND,P-TIGHT 2*8 3C 20PCS.            |
| 104 | 31019703   | SCREW,BINDING P-TIGHT M3*8 3C 100P    |
| 105 | 31289109AS | CUPSCREW SET,M3*4 NI 100 PCS          |
| 106 | 31409811AS | SADDLE SET,LOCKING WIRE LWS-1211Z 20P |

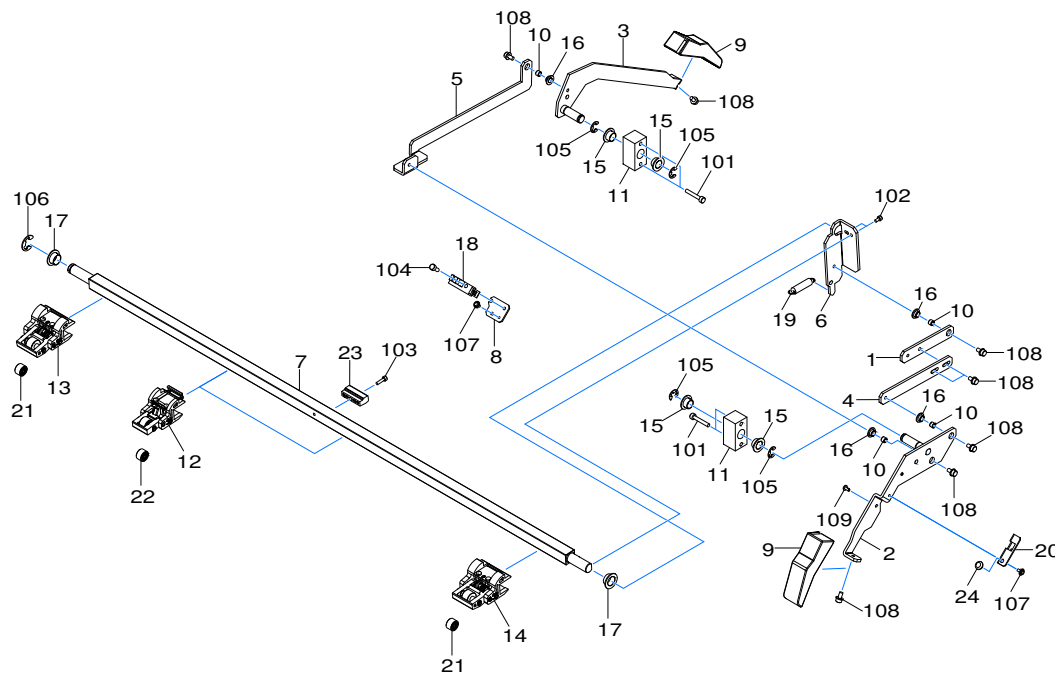


| Pos | Code       | Description                         |
|-----|------------|-------------------------------------|
| 1   | 1000017901 | ADAPTER,JOINT 3L CG2023             |
| 2   | 1000017467 | TUBE,PT05-RDG 3X3.8 LINK4 SG-300 TH |
| 3   | 1000017900 | PLUG,STOPPER FAI3 CG2023            |
| 4   | 3000000489 | TUBE,PT05-RDG 3X3.8 100M            |



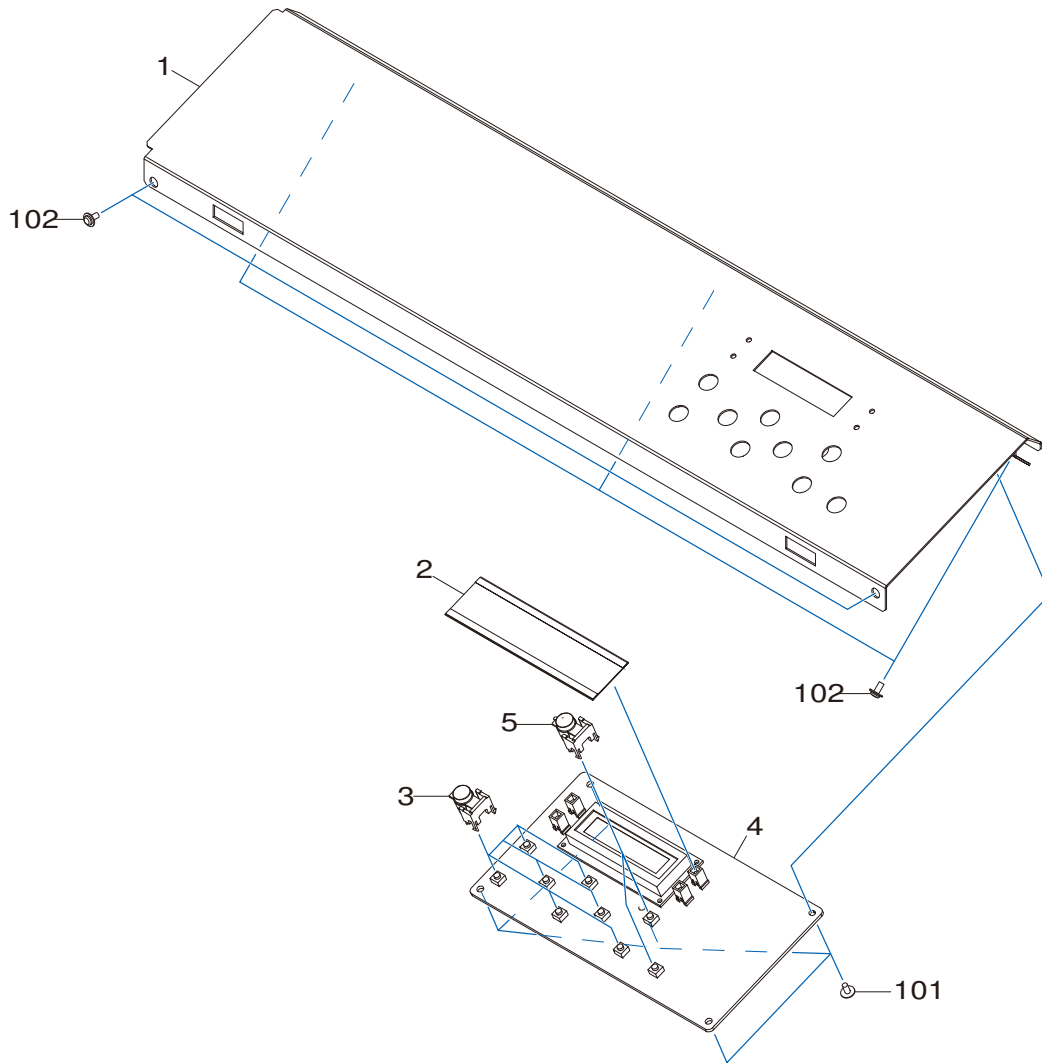
| Pos | Code       | Description                      |
|-----|------------|----------------------------------|
| 1   | 3000000489 | TUBE,PT05-RDG 3X3.8 100M         |
| 2   | 3000000551 | TUBE,IIR 1.8-3.8 100M            |
| 3   | 3000000422 | TUBE,TM-15 6*8 50M               |
| 4   | 1000017828 | ADAPTER,JUNCTION MCS3060         |
| 5   | 1000001577 | ADAPTER,TUBE 2-4-T XC-540        |
| 6   | 1000002019 | STOPPER,PUMP XC-540              |
| 7   | 3000000176 | TUBE,TM-50BKR 4*6 50M            |
| 8   | 1000015119 | ADAPTER,TUBE 3-4 LEC-330_01      |
| 9   | 1000020264 | PIPE,WR0640                      |
| 10  | 31329601AS | CLAMP SET,INSULOK T-18S 100 PCS. |





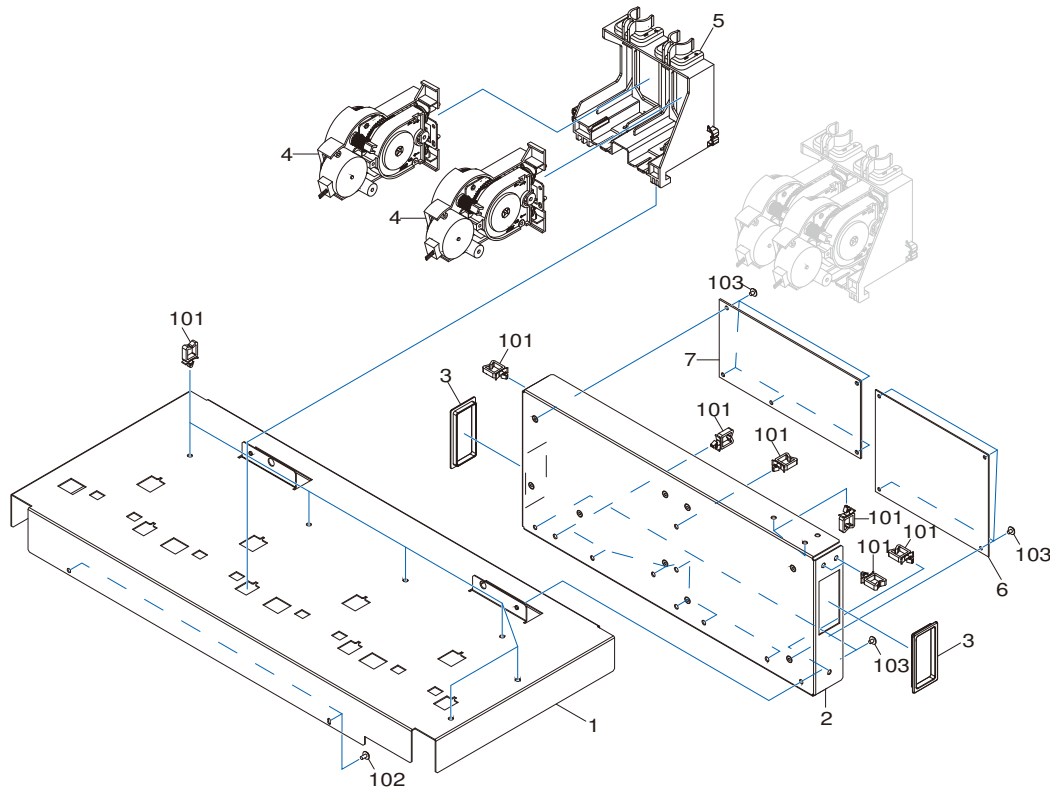
| Pos | Code       | Description                          |
|-----|------------|--------------------------------------|
| 1   | 1000015384 | STAY,LEVER ADJ SG-540                |
| 2   | 1000019046 | LEVER,CAM PINCH FRONT CG2076 TH      |
| 3   | 1000016837 | LEVER,CAM PINCH REAR SG-540_01       |
| 4   | 1000019032 | STAY,LINK FRONT SG-540_03            |
| 5   | 1000015388 | STAY,LINK REAR SG-540                |
| 6   | 1000020259 | PLATE,LINK SUPPORT CG2076            |
| 7   | 1000020867 | SHAFT,SQUARE CG2132                  |
| 8   | 1000015390 | STAY,PINCH SENS SG-540               |
| 9   | 1000014431 | KNOB,VG-640                          |
| 10  | 1000012953 | COLLAR,LEVER FJ-540                  |
| 11  | 22035196   | STAND,LEVER SP-300                   |
| 12  | 6000003918 | ASSY,PINCHROLL C CG2023              |
| 13  | 6000005216 | ASSY,PINCHROLL L CG2076_TH           |
| 14  | 6000005217 | ASSY,PINCHROLL R CG2076_TH           |
| 15  | 1000018503 | BUSH,80F-1006                        |
| 16  | 1000018512 | BUSH,80F-0603                        |
| 17  | 1000018504 | BUSH,SHAFT OILES 80F-1206            |
| 18  | 1000006689 | SENSOR-INTERRUPTER,EE-SX4009-P1      |
| 19  | 1000012989 | SPRING,PINCH PNC-1850                |
| 20  | 1000018791 | STAY,LEVER CUSHION CG2076            |
| 21  | 6000003824 | ASSY,P-ROLLER TD16S4(B10) TYPE 2_01  |
| 22  | 6000003823 | ASSY,P-ROLLER FD16S4(B10) TYPE 2_01  |
| 23  | 1000018591 | STOPPER,SHAFT SQUARE CG2023          |
| 24  | 12239406   | CUSHION,TM-96-6                      |
| 101 | 3000000423 | CAP-SCREW,4*25 3CBC 100PCS           |
| 102 | 31049137AS | SCREW SET,CAP M4*25 3CBC 20 PCS      |
| 103 | 31049142AS | SCREW SET,CAP M3*6 NI MEC 20 PCS     |
| 104 | 31049171AS | SCREW SET,CAP M3*12 NI 50 PCS.       |
| 105 | 31049173AS | SCREW SET,CAP M4*10 NI 50 PCS.       |
| 106 | 31149705   | RING SET,E-RING ETW-7 SUS 50PCS      |
| 107 | 31149706AS | RING SET,E-RING ETW-10 SUS 20 PCS    |
| 108 | 31289102AS | CUPSCREW SET,M3*6 NI 50 PCS.         |
| 109 | 3000000172 | SCREW SET,CAP M4*8 NI WSH4*9*0.8 20P |

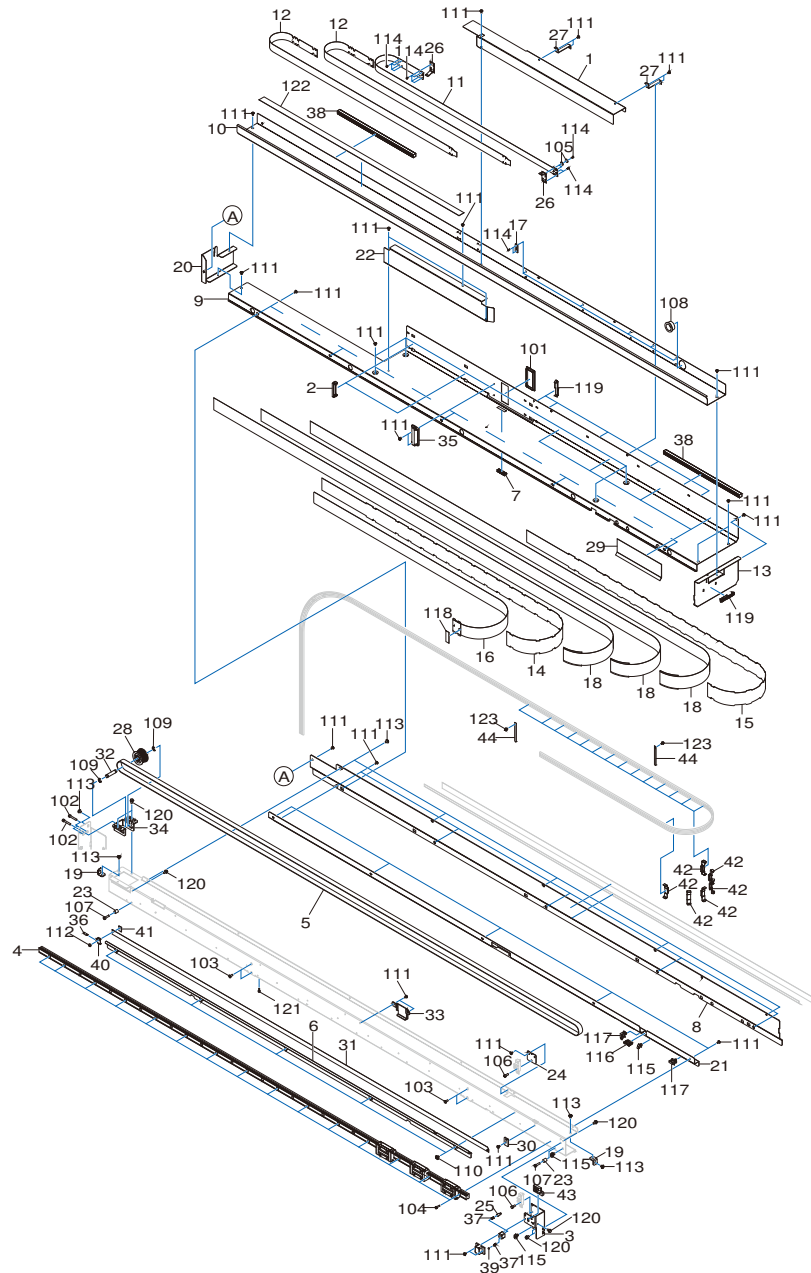
| Pos | Code       | Description                     |
|-----|------------|---------------------------------|
| 1   | 1000021145 | COVER,PANEL CG2132              |
| 2   | 1000015421 | SHEET,PANEL SG-540              |
| 3   | 1000020096 | KEY, TOP BLUE CG2076            |
| 4   | 6000004230 | ASSY,PANEL BOARD CG2075         |
| 5   | 1000012564 | KEY, TOP CLEAR GS-24            |
| 101 | 31289102AS | CUPSCREW SET, M3*6 NI 50 PCS.   |
| 102 | 31289105AS | CUPSCREW SET, M3*6 3CBC 100 PCS |



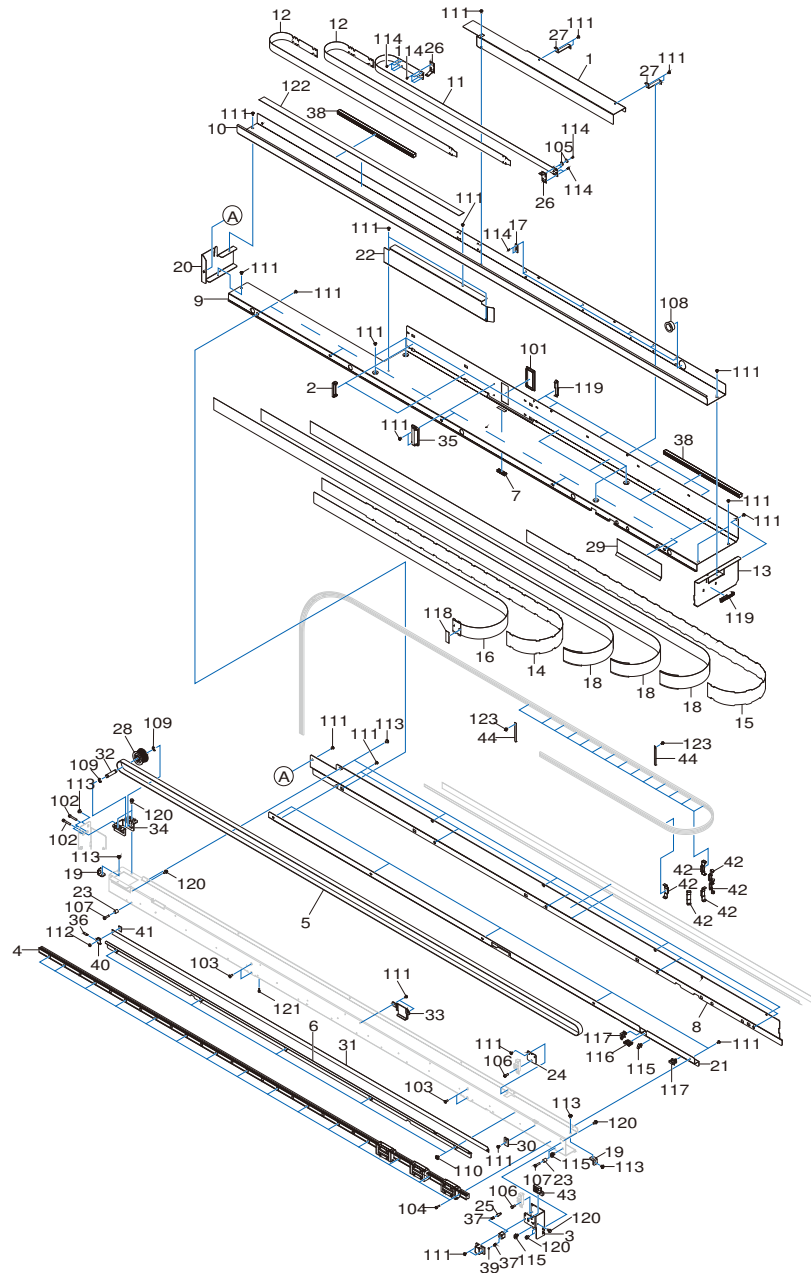


| Pos | Code       | Description                         |
|-----|------------|-------------------------------------|
| 1   | 1000019754 | PLATE,UNDER L CG2076                |
| 2   | 1000019753 | STAY,INKSYSTEM BOARD CG2076         |
| 3   | 31029106   | BUSH,SQUARE SB-6025                 |
| 4   | 6000005252 | ASSY,PRESS PUMP SV2 CG2076          |
| 5   | 1000017440 | HOLDER, PRESS PUMP CG2023           |
| 6   | 6000004975 | ASSY,INKSYSTEM RFID BOARD CG2092_00 |
| 7   | 6000004974 | ASSY,EX MTR 9CH BOARD CG2092_00     |
| 101 | 3000000216 | SADDLE,WIRE WS-2N-V0                |
| 102 | 31289102AS | CUPSCREW SET,M3*6 NI 50 PCS.        |
| 103 | 31289109AS | CUPSCREW SET,M3*4 NI 100 PCS        |

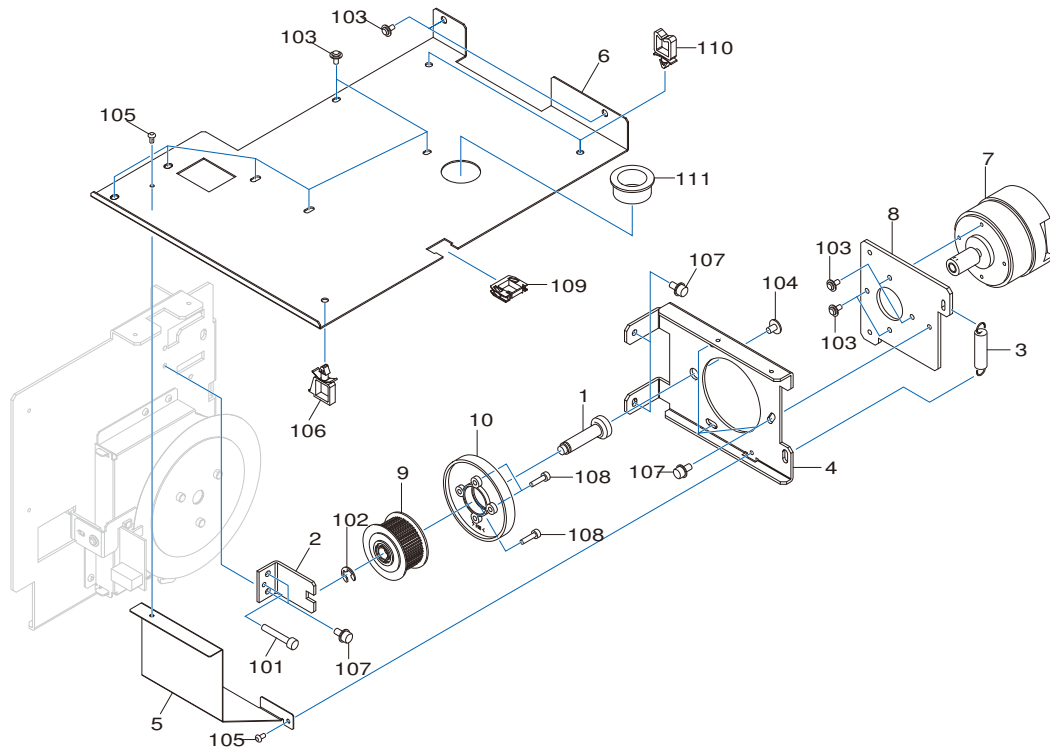




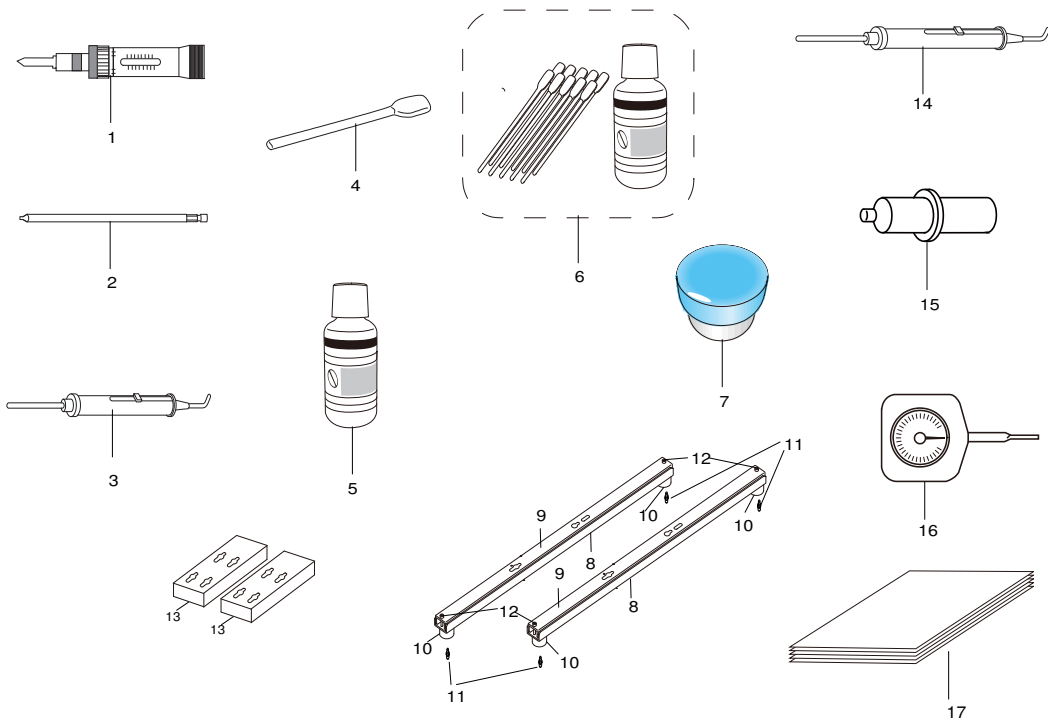
| Pos | Code       | Description                         |
|-----|------------|-------------------------------------|
| 1   | 1000015597 | SUPPORT,CUT CABLE VS-300I           |
| 2   | 1000015378 | GUIDE,TUBE SG-540                   |
| 3   | 1000015351 | STAY,LOCK SG-540                    |
| 4   | 1000015508 | L-BEARING,SSR15XW1GGC1E/2GC1E+1687L |
| 5   | 1000015509 | BELT,150S2M1845LW-C                 |
| 6   | 1000015510 | RAIL,LINEAR SCALE SG-300            |
| 7   | 1000015160 | GASKET,STGH 5-8 L=30MM              |
| 8   | 1000020850 | PLATE,RAIL REAR CG2132              |
| 9   | 1000020852 | FRAME,SUPPORT RAIL CG2132           |
| 10  | 1000020851 | GUIDE,CUT CABLE CG2132              |
| 11  | 1000015522 | PLATE,CUT CABLE SG-300              |
| 12  | 1000015523 | SHEET,CUT CABLE SG-300              |
| 13  | 1000015367 | COVER,RAIL SIDE R SG-540            |
| 14  | 1000015517 | HOLDER,CABLE F SG-300               |
| 15  | 1000015518 | HOLDER,CABLE SG-300                 |
| 16  | 1000015519 | PLATE,HOLDER CABLE SG-300           |
| 17  | 1000015428 | PLATE,CABLE SLIT SG-540             |
| 18  | 1000015520 | SHEET,HOLDER CABLE SG-300           |
| 19  | 1000015362 | STAY,RAIL GUIDE SG-540              |
| 20  | 1000018776 | COVER,RAIL SIDE L CG2076            |
| 21  | 1000020849 | STAY,RAIL UNDER CG2132              |
| 22  | 1000015516 | SUPPORT,GUIDE CABLE SG-300          |
| 23  | 31129102   | PIPE SET,POLYCA 4*8*10 20PCS        |
| 24  | 1000019040 | PLATE,CUT ORIGIN CG2076 TH          |
| 25  | 1000012944 | SHAFT,LOCK CJ-70                    |
| 26  | 1000015101 | PLATE,GND C VG-640                  |
| 27  | 1000020082 | STAY,GND VG-640TH                   |
| 28  | 21345105   | LOCK,CJ-500                         |
| 29  | 1000012983 | SHEET,FRAME SUPPORT RAIL VP-540     |
| 30  | 22135441   | STOPPER,LINEAR SCALE FJ-540         |
| 31  | 1000015507 | SHEET,LINEAR SCALE SG-300           |
| 32  | 1000012957 | SHAFT,IDLE PULLEY XC-540            |
| 33  | 1000020847 | HOLDER,STOPPER SHAFT SQ CG2132      |
| 34  | 1000001555 | HOLDER,IDLE PULLEY XC-540           |
| 35  | 11769118   | CLAMP,FCM2-S6-14                    |
| 36  | 22175122   | SPRING,BACK UP PNC-960              |
| 37  | 22175134   | SPRING,A CJ-70                      |
| 38  | 1000015159 | GASKET,STGH 10-10 L=300MM           |
| 39  | 11869103   | BALL,4MM                            |
| 40  | 1000012985 | HOLDER,LINEAR SCALE CJ-70           |



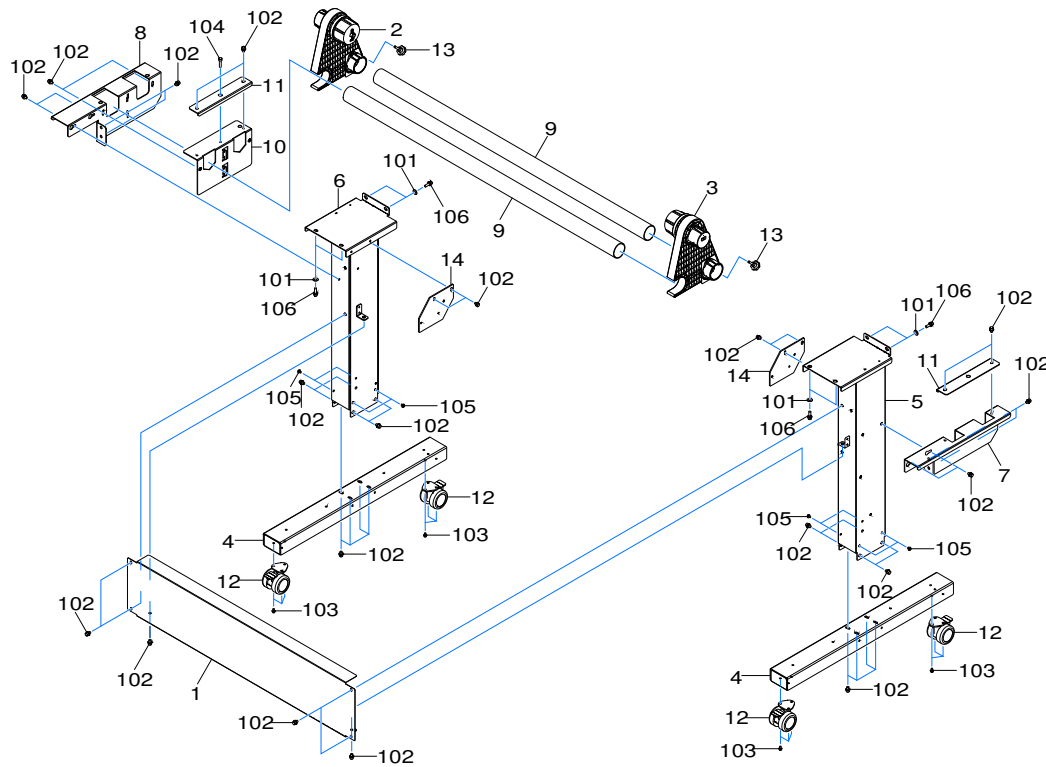
| Pos | Code       | Description                          |
|-----|------------|--------------------------------------|
| 41  | 22055316   | PLATE,LINEAR SCALE CJ-70             |
| 42  | 1000015378 | GUIDE,TUBE SG-540                    |
| 43  | 21345105   | LOCK,CJ-500                          |
| 44  | 1000015103 | PLATE,GND P VG-640                   |
| 101 | 31029106   | BUSH,SQUARE SB-6025                  |
| 102 | 3000000423 | CAP-SCREW,4*25 3CBC 100PCS           |
| 103 | 3000000400 | CAP-SCREW,4*10 NI NS ULTRA LOW HEAD  |
| 104 | 3000000424 | CAP-SCREW,3*12NI WSH 3*6*0.5         |
| 105 | 3000000259 | WASHER SET,POM CC-0310-10 20PCS      |
| 106 | 3000000426 | CAP-SCREW,4*10 NI 100PCS             |
| 107 | 3000000427 | CAP-SCREW,4*15 NI 100PCS             |
| 108 | 31029101   | BUSH,NB-19                           |
| 109 | 31149704AS | RING SET,E-RING ETW-6 SUS 100 PCS    |
| 110 | 3000000428 | W-SEMS,3*8(W=12*1)NI 100PCS          |
| 111 | 31289102AS | CUPSCREW SET,M3*6 NI 50 PCS.         |
| 112 | 31289109AS | CUPSCREW SET,M3*4 NI 100 PCS         |
| 113 | 31289111AS | CUPSCREW SET, M4*6 NI 100 PCS.       |
| 114 | 31299102AS | RIVET SET,NYLON P2655B 20 PCS.       |
| 115 | 31329501AS | CLAMP SET,PUSH MOUNT RT30SSF5 20P    |
| 116 | 31409702   | SADDLE SET,LOCKING WIRE LES-1010 20P |
| 117 | 3000000560 | SADDLE,LOCKING WIRE LWS-0711Z_TH     |
| 118 | 3000000521 | TAPE,FILAMENT 3M #898 12MMX50M       |
| 119 | 3000000033 | CLAMP,WIRE PLESS RFC-45VO            |
| 120 | 3000000172 | SCREW SET,CAP M4*8 NI WSH4*9*0.8 20P |
| 121 | 3000000425 | CAP-SCREW,3*8 NI 100PCS              |
| 122 | 3000000310 | TAPE,T0.13XW20MMXL40M                |
| 123 | 31049154AS | SCREW SET,CAP M3*6 NI+PW 20 PCS      |



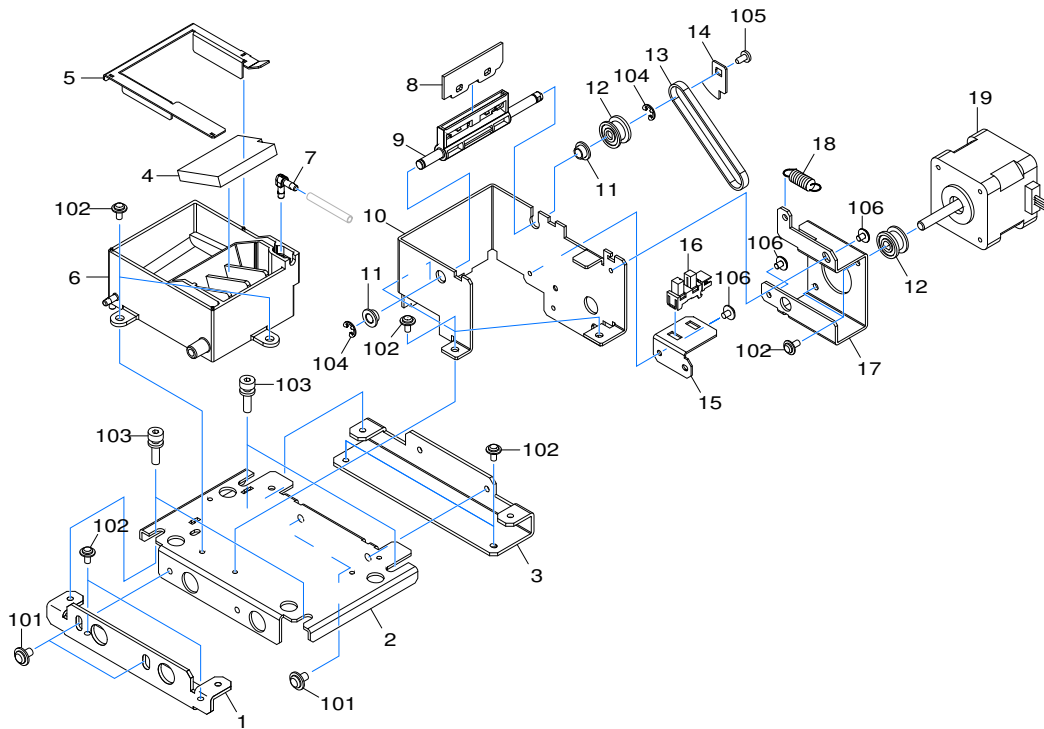
| Pos | Code       | Description                           |
|-----|------------|---------------------------------------|
| 1   | 1000012807 | SHAFT,DRIVE PULLEY XC-540             |
| 2   | 1000020056 | STAY,SHAFT DRIVE PULLEY VP-540TH      |
| 3   | 22175157   | SPRING,C P-ROLLER CM-500              |
| 4   | 1000020072 | BASE,SCAN DRIVE VG-640TH              |
| 5   | 1000020083 | COVER,SCAN MOTOR VG-640TH             |
| 6   | 1000017361 | SUPPORT,SCAN MOTOR CG2032             |
| 7   | 6000002333 | ASSY,SCAN MOTOR SV VG-640             |
| 8   | 1000015356 | FLANGE,MOTOR SCAN SG-540              |
| 9   | 6700469030 | ASSY,PULLEY VP-540                    |
| 10  | 1000001905 | GEAR,H187S20(B8)                      |
| 101 | 3000000423 | CAP-SCREW,4*25 3CBC 100PCS            |
| 102 | 31149704AS | RING SET,E-RING ETW-6 SUS 100 PCS     |
| 103 | 31289102AS | CUPSCREW SET,M3*6 NI 50 PCS.          |
| 104 | 31289111AS | CUPSCREW SET, M4*6 NI 100 PCS.        |
| 105 | 31299102AS | RIVET SET,NYLON P2655B 20 PCS.        |
| 106 | 31409811AS | SADDLE SET,LOCKING WIRE LWS-1211Z 20P |
| 107 | 3000000172 | SCREW SET,CAP M4*8 NI WSH4*9*0.8 20P  |
| 108 | 31049171AS | SCREW SET,CAP M3*12 NI 50 PCS.        |
| 109 | 31409702   | SADDLE SET,LOCKING WIRE LES-1010 20P  |
| 110 | 3000000216 | SADDLE,WIRE WS-2N-V0                  |
| 111 | 31029101   | BUSH,NB-19                            |



| Pos | Code       | Description                          |
|-----|------------|--------------------------------------|
| 1   | ST-056     | TORQUE DRIVER N6                     |
| 2   | 1000015274 | BIT,PHILLIPS NO.2 L200MM             |
| 3   | ST-001     | TENSION GAUGE 2000GF/2000CN          |
| 4   | 1000003138 | SET,CLEANER STICK TX712A 10PCS.      |
| 4   | 1000007172 | CLEANER SET,STICK TX712A 100PCS      |
| 5   | 6000004663 | CLEANING LIQUID(TR2-CL) SV 500ML     |
| 6   | 6000004662 | KIT,CLEANING(TR2-CL) SV 100ML        |
| 7   | 6000004129 | GREASE,FLOIL G-902 10ML_02           |
| 8   | 1000020778 | ARM,PACKING L SV CG2076              |
| 9   | 1000020777 | ARM,PACKING U SV CG2076              |
| 10  | 11879107   | ABSORBER TK-12                       |
| 11  | 31049157   | SCREW,CAP M6*20 3CBC+PW+SW           |
| 12  | 31049125   | SCREW,CAP M6*30 NI                   |
| 13  | 1000020779 | STAY,SHOULDER STRAP SV CG2076        |
| 14  | ST-002     | TENSION GAUGE 300GF/300CN            |
| 15  | ST-006     | WHITE DUMMY PEN                      |
| 16  | ST-012     | DIAL TENSION METER DTB-50            |
| 17  | 1000009835 | MEDIA,PET2-G 5SHEET SET 320MM ST-129 |

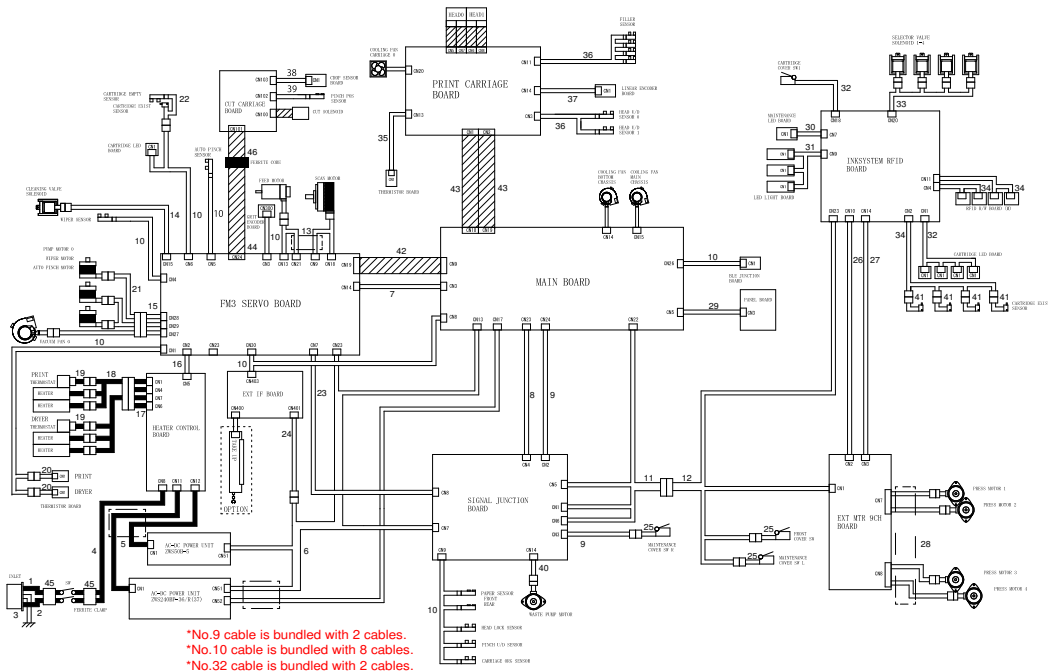


| Pos | Code       | Description                         |
|-----|------------|-------------------------------------|
| 1   | 1000015494 | STAY,STAND SG-300                   |
| 2   | 6000003537 | ASSY,FEEDER HOUSING L SV VG-640 T   |
| 3   | 6000003538 | ASSY,FEEDER HOUSING R SV VG-640 T   |
| 4   | 1000019694 | ASSY,BASE STAND CG2076              |
| 5   | 1000019692 | ASSY,STAND LEG R CG2076             |
| 6   | 1000019693 | ASSY,STAND LEG L CG2076             |
| 7   | 1000018228 | ARM,R FEEDER CG2075                 |
| 8   | 1000018229 | ARM,L FEEDER CG2075                 |
| 9   | 1000015593 | PIPE,FEEDER SHAFT VS-300            |
| 10  | 1000018230 | STAY,FEED ADJUSTER CG2075           |
| 11  | 1000018231 | STOPPER,FEEDER SHAFT CG2075         |
| 12  | 1000003892 | CASTER,STAND XJ-740                 |
| 13  | 1000014294 | KNOB,KG-B1 M6X30                    |
| 14  | 1000019695 | ADAPTER,DU CG2076                   |
| 101 | 31249220AS | WASHER SET,PLAIN 6.5*16*1 NI 100PCS |
| 102 | 3000000550 | CAP-SCREW,6*10 3CBC SPW+WSH 6*12.5  |
| 103 | 31049169AS | SCREW SET,CAP M4*8 3CBC+PW 20PCS    |
| 104 | 31049124AS | SCREW SET,CAP M6*25 NI 20 PCS       |
| 105 | 31239106AS | SCREW SET,W-SEMS M4*8 3CBC 50 PCS   |
| 106 | 31049157   | SCREW,CAP M6*20 3CBC+PW+SW          |



| Pos | Code       | Description                         |
|-----|------------|-------------------------------------|
| 1   | 1000015453 | STAY,ADJUSTER F WIPE SG-540         |
| 2   | 1000016841 | FRAME,BASE WIPER SG-540_01          |
| 3   | 1000015454 | STAY,ADJUSTER R WIPE SG-540         |
| 4   | 1000020059 | PAD,CLEANER D VG-640TH              |
| 5   | 1000019749 | COVER,WIPER CG2076                  |
| 6   | 1000019760 | TRAY,LIQUID WIPER CG2076            |
| 7   | 1000017901 | ADAPTER,JOINT 3L CG2023             |
| 8   | 1000014754 | WIPER,HEAD VG-640                   |
| 9   | 1000014755 | HOLDER,WIPER 2 VG-640               |
| 10  | 1000015448 | FRAME,WIPER SG-540                  |
| 11  | 1000018501 | BUSH,80F-0503                       |
| 12  | 22565406   | DRIVE PULLEY                        |
| 13  | 1000005794 | BELT,146P2M4-530                    |
| 14  | 1000014762 | PLATE,WIPER SENSOR VG-640           |
| 15  | 1000015449 | STAY,WIPER SENSOR SG-540            |
| 16  | 1000011069 | SENSOR-INTERRUPTER,OJ-535S-A5       |
| 17  | 1000015451 | HOLDER,WIPER MOTOR SG-540           |
| 18  | 1000015186 | SPRING,PINCH 930 FJ-540             |
| 19  | 1000018516 | MOTOR,103-593-1041                  |
| 101 | 31289111AS | CUPSCREW SET, M4*6 NI 100 PCS.      |
| 102 | 31289102AS | CUPSCREW SET,M3*6 NI 50 PCS.        |
| 103 | 31179106   | SCREW,JACK UP SP-540V               |
| 104 | 31149703AS | RING SET,E-RING ETW-4 100 PCS.      |
| 105 | 31019702AS | SCREW SET,BIND P-TIGHT M3*6 3C 100P |
| 106 | 31289109AS | CUPSCREW SET,M3*4 NI 100 PCS        |





\*No.9 cable is bundled with 2 cables.  
 \*No.10 cable is bundled with 8 cables.  
 \*No.32 cable is bundled with 2 cables.  
 \*No.34 cable is bundled with 3 cables.  
 \*No.36 cable is bundled with 2 cables.

| Pos | Code       | Description                         |
|-----|------------|-------------------------------------|
| 1   | 1000018824 | CABLE-ASSY,JUNBI A SJ-1000 T        |
| 2   | 1000018825 | CABLE-ASSY,JUNBI B SJ-1000 T        |
| 3   | 1000018826 | CABLE-ASSY,JUNBI G SJ-1000 T        |
| 4   | 1000017389 | CABLE-ASSY,POWER AC-HCB CG2032      |
| 5   | 1000017400 | CABLE-HARNESS,POWER AC CG2032       |
| 6   | 1000019549 | CABLE-HARNESS,POWER DC CG2075       |
| 7   | 1000019507 | CABLE-ASSY,SERVO UART CG2075        |
| 8   | 1000017391 | CABLE-ASSY,F-SENS SERIAL CG2032     |
| 9   | 1000017414 | CABLE-HARNESS,SIGNAL R-COVER CG2032 |
| 10  | 1000019551 | CABLE-HARNESS, SENSORS CG2075_01    |
| 11  | 1000019513 | CABLE-ASSY,M-I CAN JUNC CG2075      |
| 12  | 1000020757 | CABLE-ASSY,M-I CAN CG2132_00        |
| 13  | 1000019552 | CABLE-HARNESS,SERVO CL VALVE CG2075 |
| 14  | 1000019517 | CABLE-ASSY,CLEANING VALVE CG2075    |
| 15  | 1000018530 | CABLE-ASSY,P-W-F MTR JUNC CG2075    |
| 16  | 1000017395 | CABLE-ASSY,HEATER CTL CG2032        |
| 17  | 1000017396 | CABLE-ASSY,HEATER JUNC CG2032       |
| 18  | 1000017397 | CABLE-ASSY,HEATER CG2032            |
| 19  | 1000015608 | CABLE-ASSY,THERMOSTAT SG-540        |
| 20  | 1000017237 | CABLE-ASSY,THERMISTOR EJ-640 TH     |
| 21  | 1000020759 | CABLE-ASSY,P-W-F MTR CG2132_00      |
| 22  | 1000018849 | CABLE-ASSY,CARTRIDGE UNIT VG-640 T  |
| 23  | 1000019518 | CABLE-ASSY,EXT CTL 1 CG2075         |
| 24  | 1000019519 | CABLE-ASSY,POWER DC EXT IF CG2075   |
| 25  | 1000019520 | CABLE-ASSY,COVER SW CG2075          |
| 26  | 1000019521 | CABLE-ASSY,EXT CTL 2 CG2075         |
| 27  | 1000019522 | CABLE-ASSY,EXT POWER CG2075         |
| 28  | 1000020760 | CABLE-HARNESS,PRESS PUMP CG2092_00  |
| 29  | 1000017392 | CABLE-ASSY,PANEL CG2032             |
| 30  | 1000019527 | CABLE-ASSY,MAINTENANCE LED CG2075   |
| 31  | 1000020762 | CABLE-ASSY,INSIDE LED CG2132_00     |
| 32  | 1000020763 | CABLE-HARNESS,LED CG2092_00         |
| 33  | 1000020764 | CABLE-ASSY,SELECTOR SOL CG2092_00   |
| 34  | 1000019556 | CABLE-HARNESS,INK MOD 0 CG2075      |
| 35  | 1000014552 | CABLE-ASSY,CARRIAGE TH VG-640       |
| 36  | 1000019559 | CABLE-HARNESS,FILLER H-UD CG2075    |
| 37  | 1000019544 | CABLE-ASSY,L-ENCODER CG2075         |
| 38  | 1000019565 | CABLE-ASSY,CROP SENS CG2075_01      |
| 39  | 1000019566 | CABLE-ASSY,P-POS SENS CG2075_01     |
| 40  | 1000019546 | CABLE-ASSY,WASTE PUMP MTR CG2075    |

| Pos | Code       | Description                      |
|-----|------------|----------------------------------|
| 41  | 1000020105 | CABLE-ASSY,CARTRIDGE UNIT CG2075 |
| 42  | 1000015569 | CABLE-CARD,22P1 75L BB HIGH-V    |
| 43  | 1000020766 | CABLE-CARD,40P1-2650L-100T       |
| 44  | 1000020767 | CABLE-CARD,15P1-2300L-50T        |
| 45  | 1000006283 | FILTRE,TFT-081610N               |
| 46  | 1000015262 | FILTER(E),FPCR17-9-0.5           |

