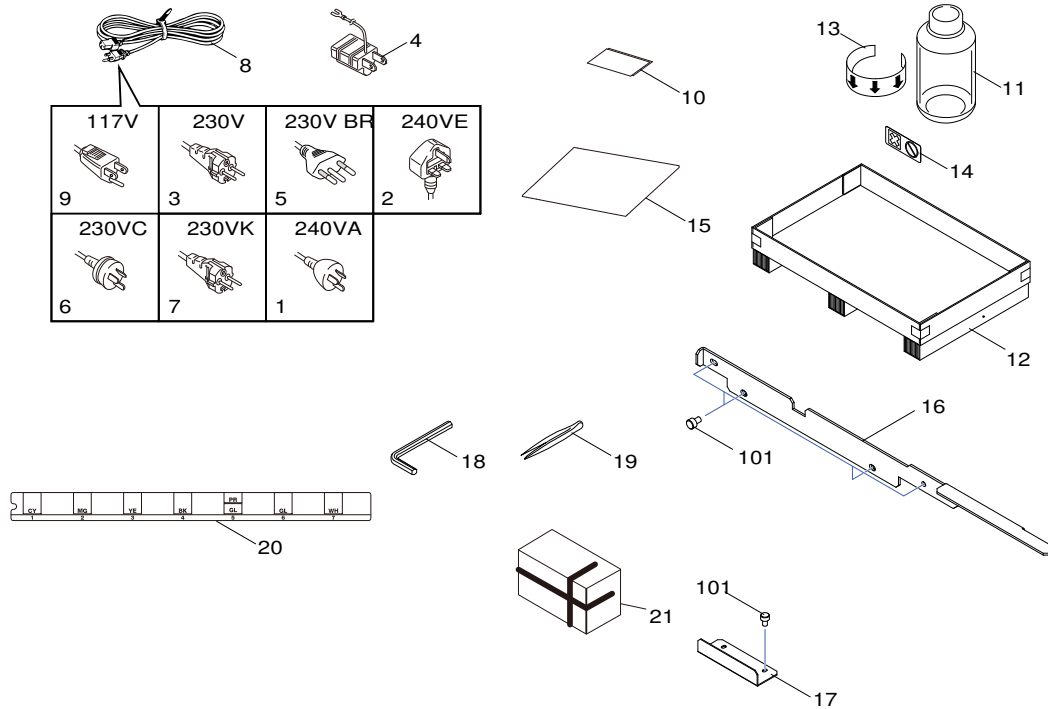
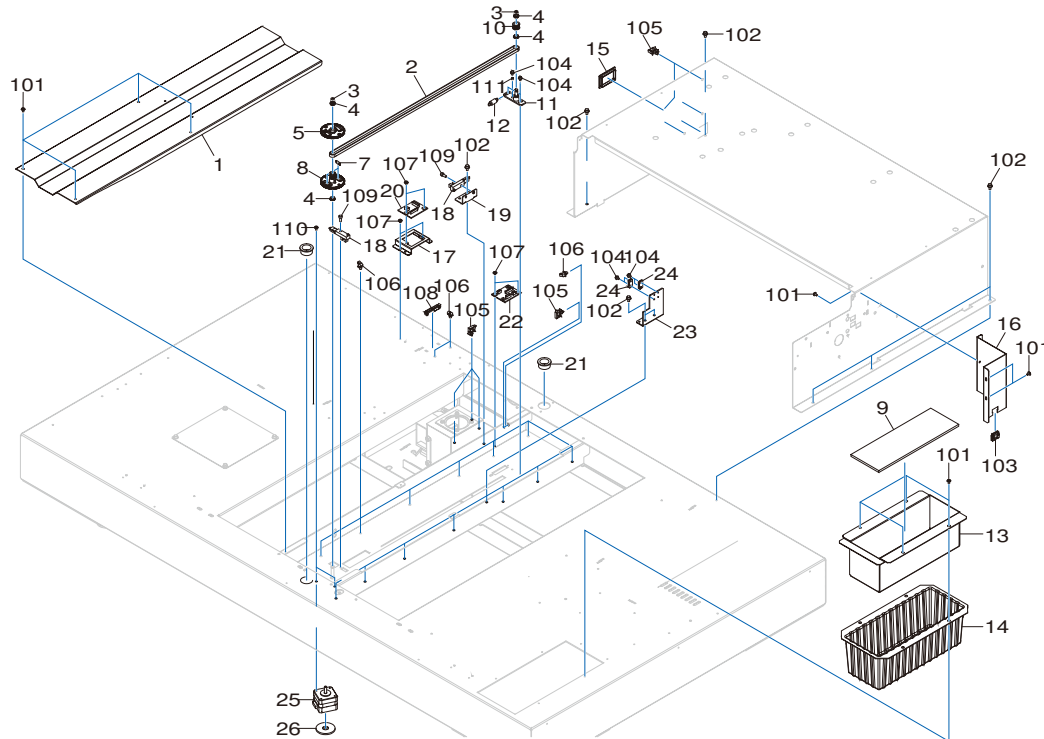
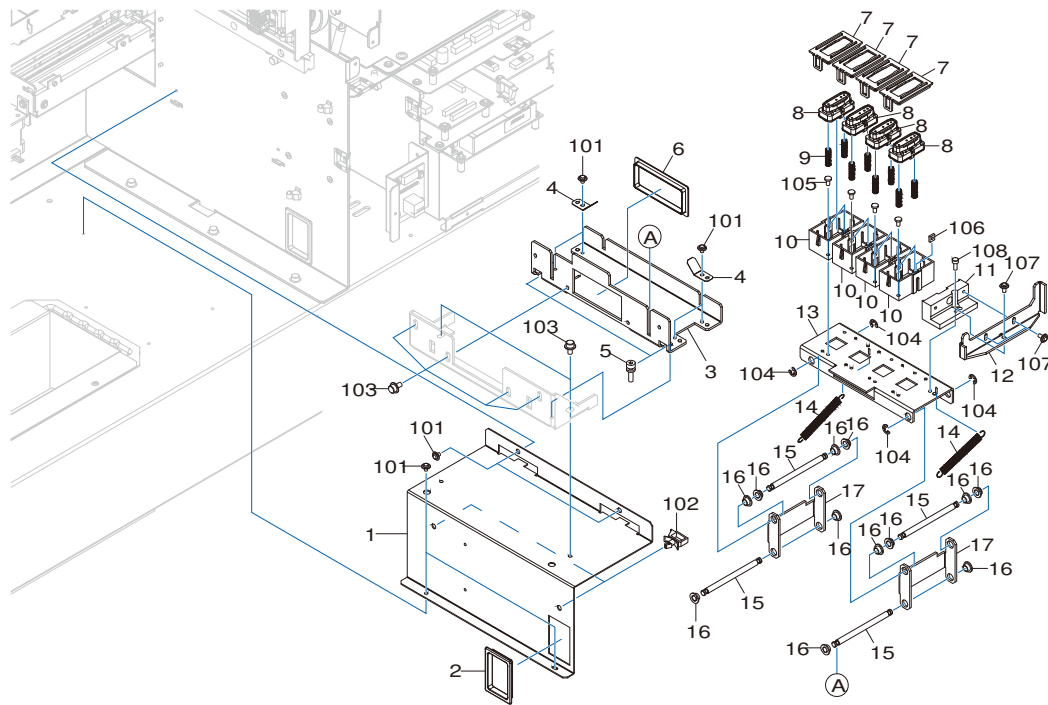


Pos	Code	Description
1	23495124	AC CORD 3ASL100 240VA 10A SAA
2	13499111	AC CORD H05VV-F 240VE 10A S
3	23495125	AC-CORD H05VV 230V 10A S
4	13499209	ADAPTER PLUG (100V)
5	100006571	CABLE-AC,3P 117/230V BR 2.5M
6	13439801	CABLE-AC 3P CHINA 10A250V S
7	1000010999	CABLE-AC, H05VV 230V 10A KC
8	1000005832	CABLE-AC,100V 15A 2.5M 3P
9	1000005833	CABLE-AC,117V 15A 2.5M 3P
10	1000014742	PAD,TRAY LEF-300
11	11369115	CASE,PP BOTTLE
12	1000016726	TRAY,SKID LEF-300_01
13	22535144	LABEL,DRAIN BOTTLE #LA29
14	1000001099	LABEL,HARMFUL FIRE #LA915
15	1000008583	LABEL,DRAIN BOTTLE UV #LA1278
16	1000019262	STOPPER,CARRIAGE2 LEF-20
17	1000014698	STOPPER,TABLE LEF-300
18	21935130	TOOL,HEXAGON 3 ZN
19	12569656	TWEEZERS PTS-01
20	6000003209	LABEL,SET INK LEF-200#LA2405
21	1000009033	SHIELD,UV REFLECTION LEF-12
101	31799107	SCREW SET,CAP M4*6 NI 20PCS

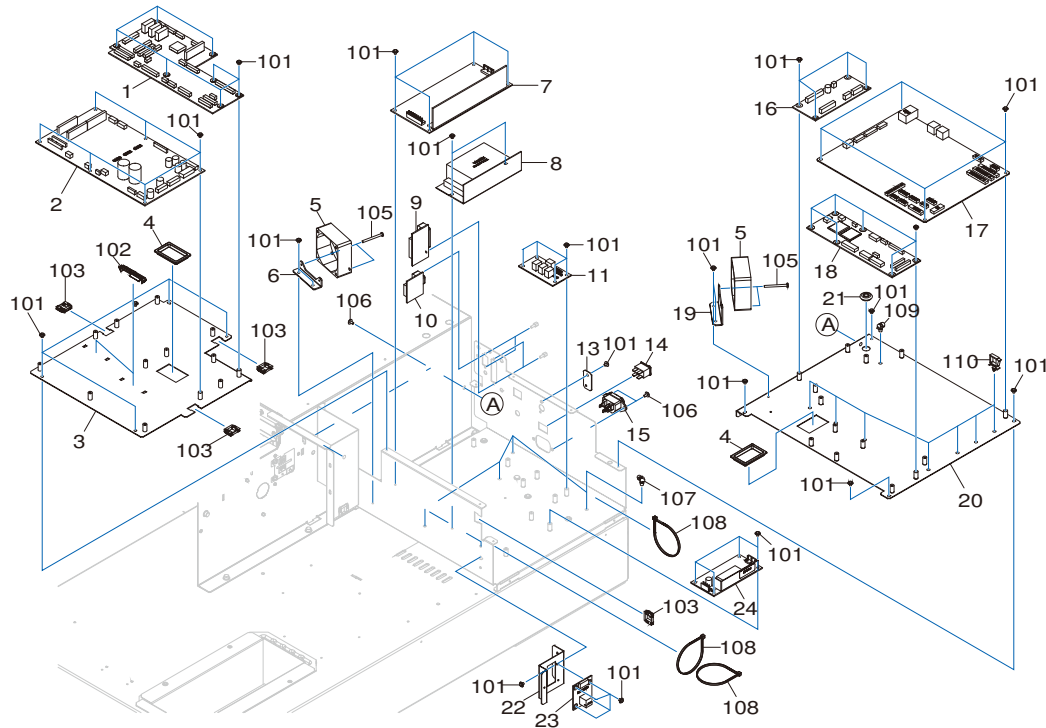




Pos	Code	Description
1	1000014676	COVER,FEED DRIVE LEF-300
2	1000014691	BELT,50S2M575LW-C
3	11519107	RING,O P4
4	11889107	R-BEARING,D10S6(B3FL)
5	21685141	GEAR,DRIVE-1 EGX-20
7	22175306	SPRING,GEAR EGX-20
8	21685142	GEAR,DRIVE-2 EGX-20
9	1000021529	PAD,WASTE TANK CG2129
10	21975143	PULLEY,T22P2S10B10
11	22845196	BASE,TENTION TS-30
12	1000014697	SPRING,FEED BELT TENTION LEF-300
13	1000021114	PLATE,DRAIN BOX CG2129
14	1000020971	TRAY,WASTE TANK CG2129
15	31029901	BUSH,SQUARE SB-4025
16	1000015034	COVER,WIPE REAR LEF-300
17	1000014740	BRACKET,JUNCTION BOARD LEF-300
18	1000006689	SENSOR-INTERRUPTER,EE-SX4009-P1
19	1000008620	STAY,Z ORIGIN SENS LEF-12
20	W703565020	ASSY, TABLE JUNCTION 1 LEF-300
21	31029101	BUSH,NB-19
22	W703565030	ASSY, TABLE JUNCTION 2 LEF-300
23	1000014729	STAY,BELT Y LEF-300
24	1000002079	HOLDER,BELT MDX-40
25	1000009742	MOTOR,SH1421-5013
26	12569532	DAMPER DM-4025A
101	31289105AS	CUPSCREW SET, M3*6 3CBC 100 PCS
102	31049169AS	SCREW SET,CAP M4*8 3CBC+PW 20PCS
103	31409702	SADDLE SET,LOCKING WIRE LES-1010 20P
104	31049154AS	SCREW SET,CAP M3*6 NI+PW 20 PCS
105	31409801AS	SADDLE,LOCKING WIRE LWS-0711Z 20P
106	31329501AS	CLAMP SET,PUSH MOUNT RT30SSF5 20P
107	31289109AS	CUPSCREW SET,M3*4 NI 100 PCS
108	3000000030	CLAMP,WIRE PRESS RFC-33V0
109	31049173AS	SCREW SET,CAP M4*10 NI 50 PCS.
110	31289102AS	CUPSCREW SET,M3*6 NI 50 PCS.
111	31029802AS	BUSH SET,ROLL 3*3.5 3C 100PCS.

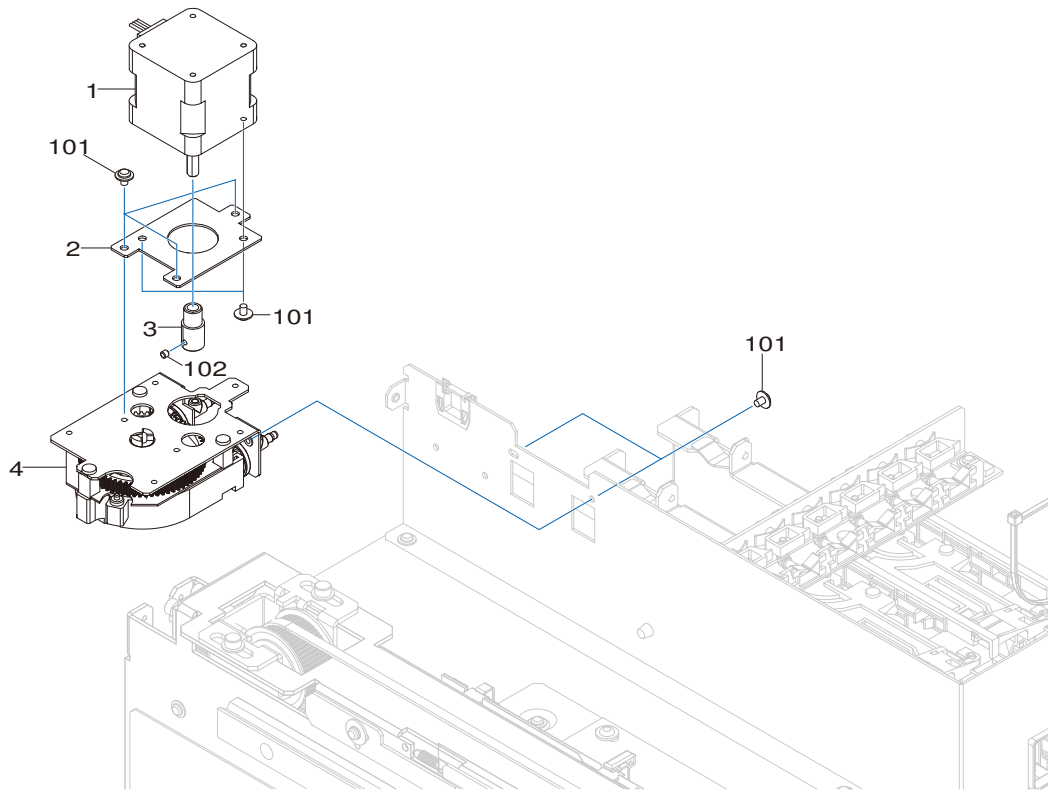


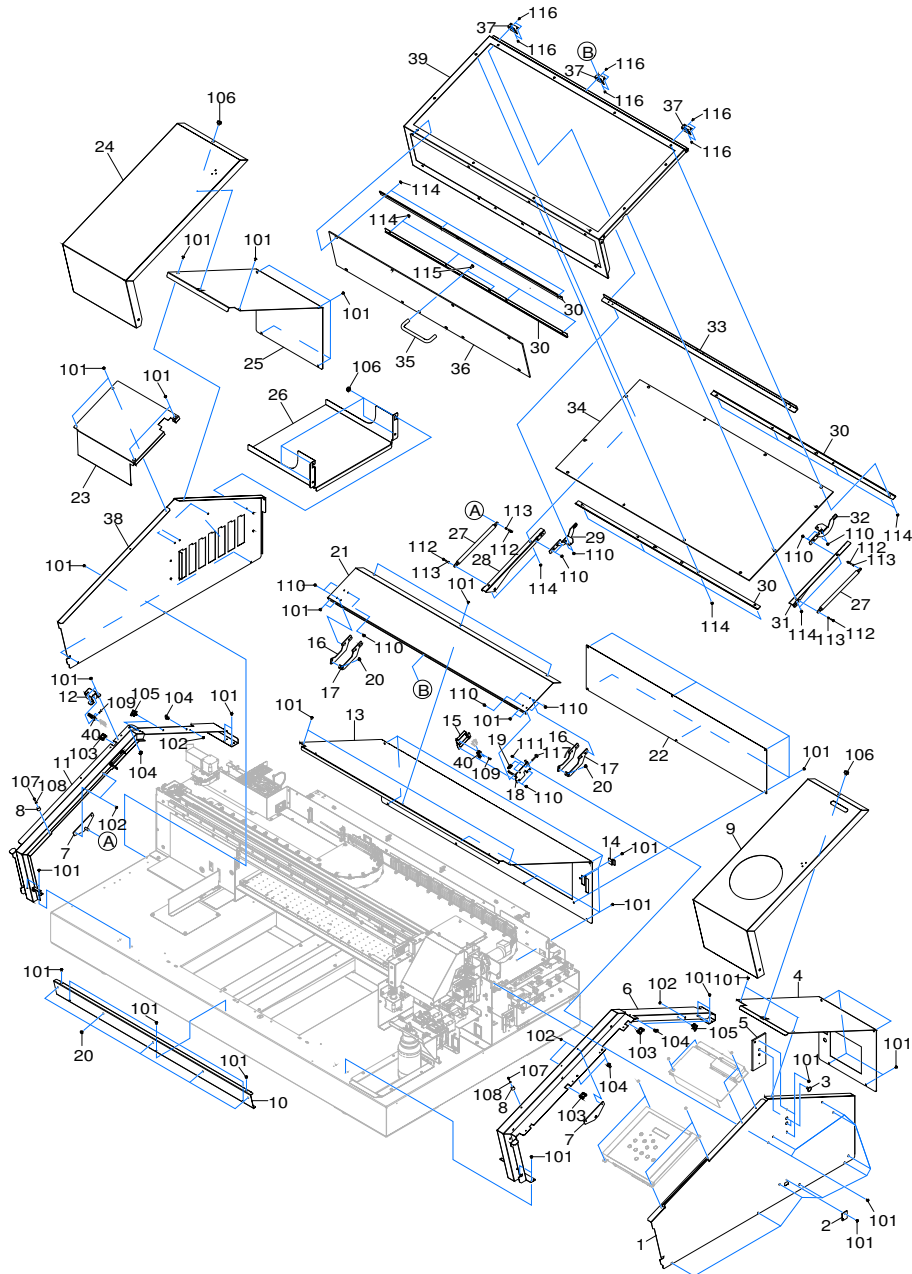
Pos	Code	Description
1	100008237	BASE,CAP LEF-12
2	31029901	BUSH,SQUARE SB-4025
3	100008237	BASE,CAP LEF-12
4	1000002645	STOPPER,SHAFT CAP VP-540
5	31179106	SCREW,JACK UP SP-540V
6	31029106	BUSH,SQUARE SB-6025
7	1000015301	COVER,CAP-CASE LEJ-640
8	1000004546	ASSY,CAP-TOP 2 XC-540
9	22175334	SPRING,CAP HEAD FJ-540
10	21365121	CASE,CAP TOP FJ-540
11	1000014668	STOPPER,JOINT CAP AL LEF-300
12	1000014669	STOPPER,CAP STAY LEF-300
13	1000006241	FRAME,BACK-UP CAP 2 VP-540I
14	1000002561	SPRING,CAP SWING VP-540
15	1000002539	SHAFT,CAP VP-540
16	1000018501	BUSH,80F-0503
17	1000002537	ARM,LINK UP VP-540
101	31289109AS	CUPSCREW SET,M3*4 NI 100 PCS
102	31409801AS	SADDLE,LOCKING WIRE LWS-0711Z 20P
103	31049169AS	SCREW SET,CAP M4*8 3CBC+PW 20PCS
104	31149703AS	RING SET,E-RING ETW-4 100 PCS.
105	31019116AS	SCREW SET,BINDING M3*6 3CBC 100 PCS
106	31109601	NUT SET,SQUARE M3*6*1.6 FE NI 100PCS
107	31289102AS	CUPSCREW SET,M3*6 NI 50 PCS.
108	31049170AS	SCREW SET,CAP M3*8 NI 50 PCS.



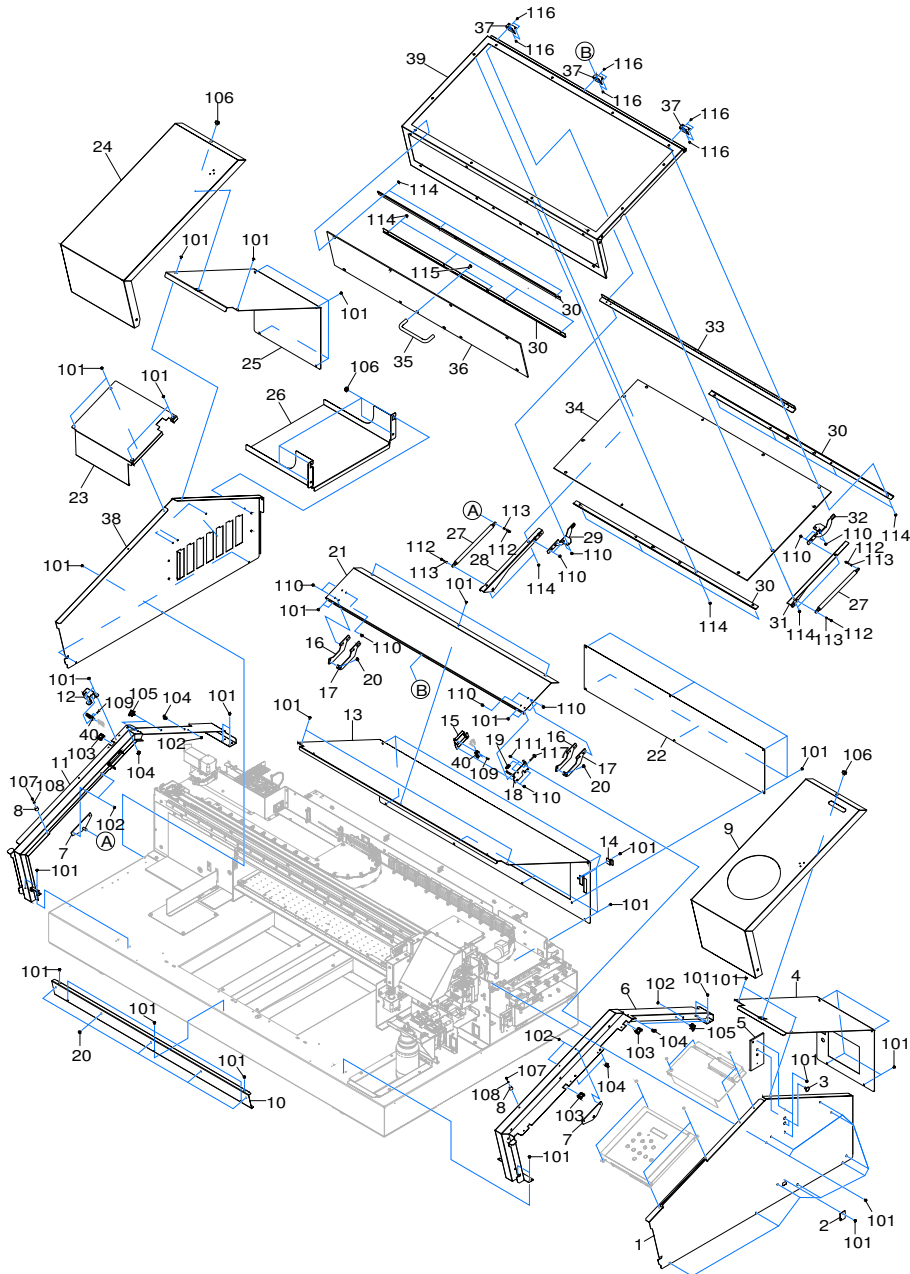
Pos	Code	Description
1	W703565010	ASSY,SIGNAL JUNCTION LEF-300
2	6702450310	ASSY,SERVO BOARD LEF-20_01
3	1000014731	CHASSIS,STAY UPPER LEF-300
4	31029901	BUSH,SQUARE SB-4025
5	1000006174	FAN,9A0624H414
6	1000014686	STAY,CHASSIS FAN LEF-300
7	1000010044	POWER UNIT,ZWS240BP-48/R (41)
8	1000014972	POWER UNIT,ZWS30B-24/A
9	W703565040	ASSY,EXT JUNCTION 2 LEF-300
10	W703566060	ASSY,EXT JUNCTION 1 LEF-300
11	W703565060	ASSY,AC JUNCTION LEF-300
13	1000008586	COVER,SERIAL PORT LEF-12
14	13129170	POWER SW AJ7201B
15	13429702	INLET AC P01CF01 15A250V
16	W703566080	ASSY,EXT IF LEF-300
17	6000005184	ASSY,MAIN BOARD SV LEF2-300
18	W703566010	ASSY,DC JUNCTION LEF-300
19	22715327	STAY,CHASSIS FAN FJ-540
20	1000014677	CHASSIS,STAY MIDDLE LEF-300
21	31659105	RUBBER,GROMMET MAKUTUKI MG-15
22	1000014689	BRACKET,PATLITE BOARD LEF-300
23	W703566070	ASSY,TOWER LIGHT LEF-300
24	1000010042	POWER UNIT,ZWS30B-5
101	31289109AS	CUPSCREW SET,M3*4 NI 100 PCS
102	3000000033	CLAMP,WIRE PLESS RFC-45VO
103	31409702	SADDLE SET,LOCKING WIRE LES-1010 20P
105	31019124	SCREW SET,BINDING M3*35 NI 50 PCS
106	31289105AS	CUPSCREW SET, M3*6 3CBC 100 PCS
107	31329501AS	CLAMP SET,PUSH MOUNT RT30SSF5 20P
108	31329602AS	CLAMP SET,INSULOK T-18L 100 PCS.
109	31329501AS	CLAMP SET,PUSH MOUNT RT30SSF5 20P
110	31409811AS	SADDLE SET,LOCKING WIRE LWS-1211Z 20P

Pos	Code	Description
1	1000018516	MOTOR,103-593-1041
2	1000020054	PLATE,P-MOTOR XC-540TH
3	1000012988	GEAR,S10B20
4	6000005253	ASSY,PUMP SUB SV LEF2-200
101	31289109AS	CUPSCREW SET,M3*4 NI 100 PCS
102	31199701AS	SCREW SET,SET WP M3*3 NI 20 PCS

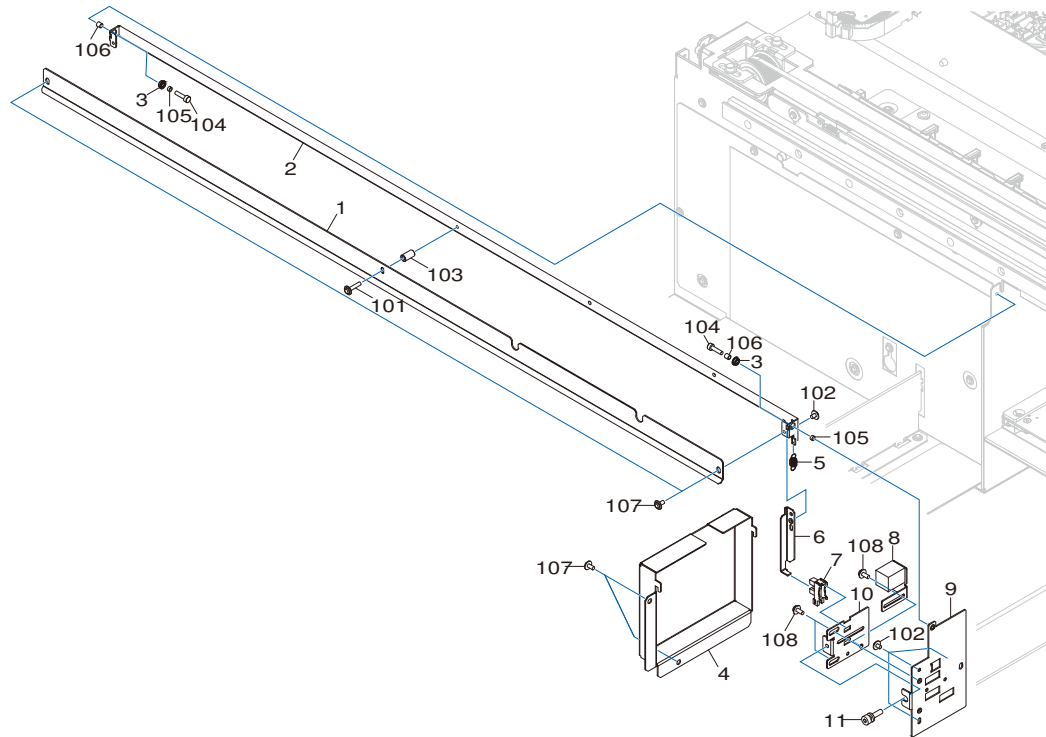




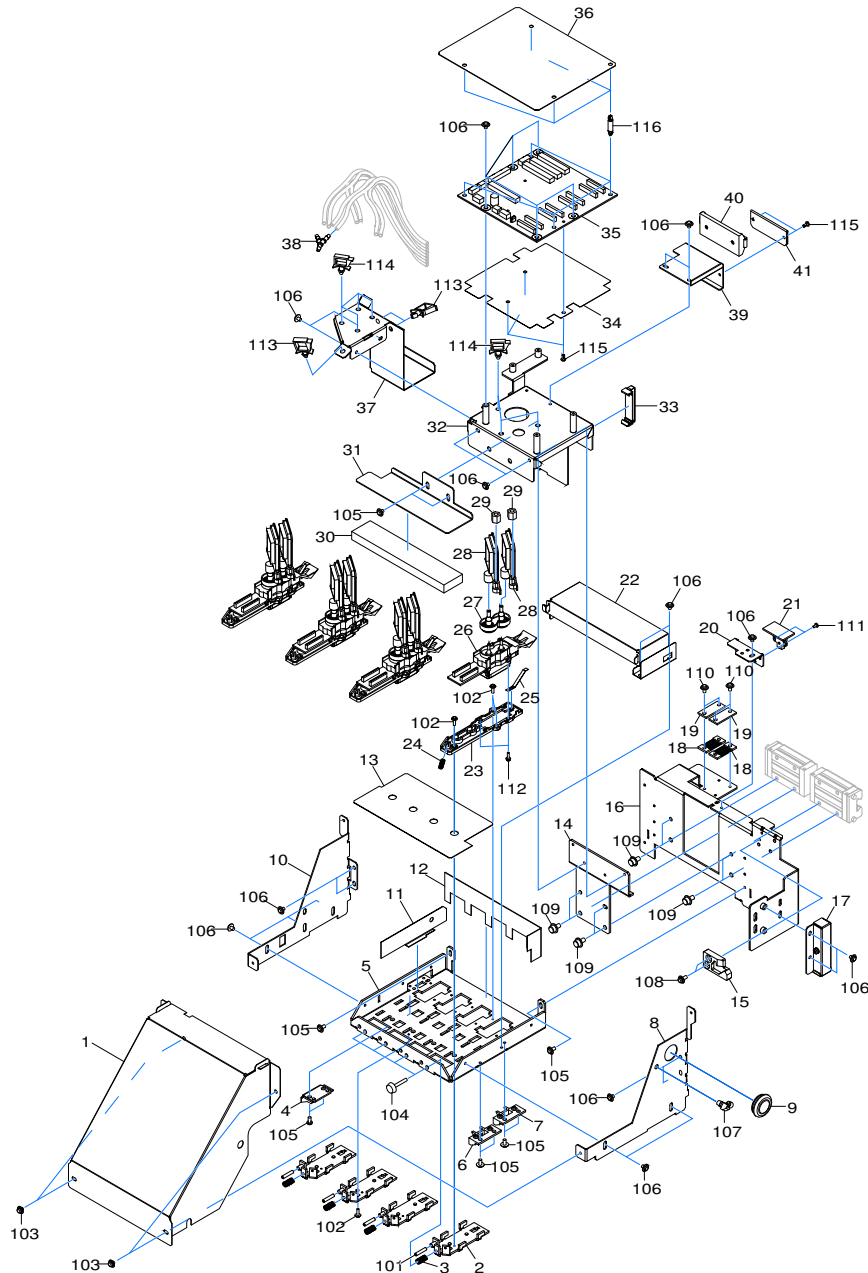
Pos	Code	Description
1	1000021044	COVER,SIDE R CG2129
2	1000014690	COVER,EXT JUNCTION LEF-300
3	1000015031	CAP,BLINDFOLD 4 HOLE LEF-300
4	1000020947	COVER,TOP R CG2129
5	1000014688	PLATE,PATLITE BASE LEF-300
6	1000020953	SUPPORT,FRAME R CG2129
7	1000011755	STAY,GAS SPRING LEF-20
8	31029802AS	BUSH SET,ROLL 3*3.5 3C 100PCS.
9	1000020954	COVER,PANEL CG2129
10	1000019944	COVER,FRONT UNDER CG2113
11	1000020951	SUPPORT,FRAME L CG2129
12	1000020968	STAY,COVER L SW CG2129
13	1000020948	COVER,RAIL B CG2129
14	1000015028	COVER,D_SUB9 LEF-300
15	1000020970	STAY,COVER SW F CG2129
16	1000011783	FRAME,STOPPER L LEF-20
17	1000011782	FRAME,STOPPER R LEF-20
18	1000021181	STAY,ADJUST SW CG2129
19	22175519	SPRING,HEAD PRESS 500 FJ-540
20	12239406	CUSHION,TM-96-6
21	1000020952	COVER,RAIL CG2129
22	1000020955	COVER,REAR PLATE CG2129
23	1000020955	COVER,REAR PLATE CG2129
24	1000020950	COVER,L CG2129
25	1000020949	COVER,RAIL BACK L CG2129
26	1000014693	COVER,500CC IC LEF-300
27	6700959080	ASSY,SPRING GAS EGX-360_01
28	1000011758	BRACKET,B L GAS SPRING LEF-20
29	1000014722	STOPPER,COVER FRONT L LEF-300
30	1000011737	PLATE,NUT COVER F LEF-20
31	1000011759	BRACKET,B R GAS SPRING LEF-20
32	1000014721	STOPPER,COVER FRONT R LEF-300
33	1000011757	SUPPORT,COVER FRONT LEF-20
34	1000019939	PLATE,COVER F CG2113
35	1000008299	HANDLE,UNFA-125-BK
36	1000019947	PLATE,COVER UNDER CG2113
37	1000002384	HINGE,TH-TM-114
38	1000021043	COVER,SIDE L CG2129
39	1000020990	FRAME,FRONT COVER2 CG2113
40	1000020996	LEVER,SWITCH SS01 CG2129



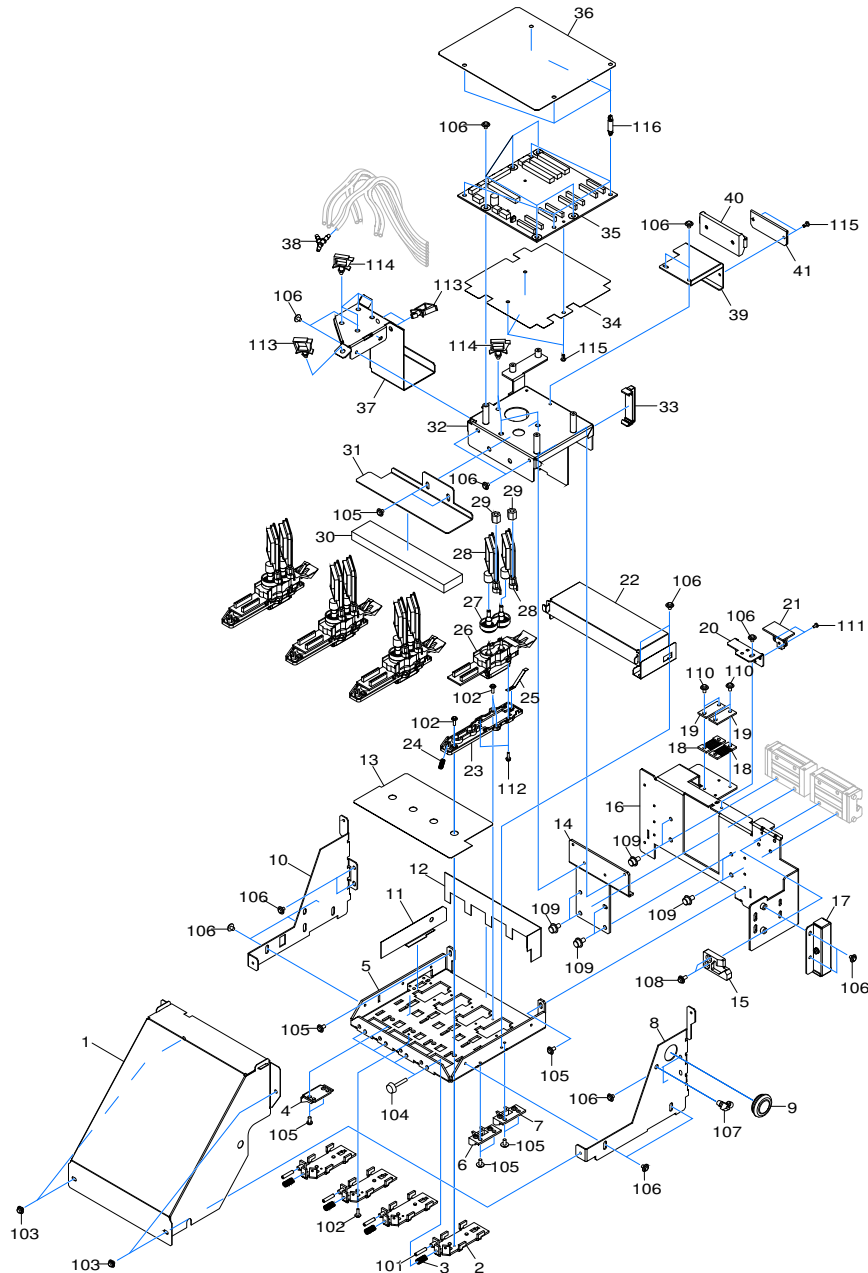
Pos	Code	Description
101	31289102AS	CUPSCREW SET,M3*6 NI 50 PCS.
102	31289109AS	CUPSCREW SET,M3*4 NI 100 PCS
103	31409702	SADDLE SET,LOCKING WIRE LES-1010 20P
104	31329501AS	CLAMP SET,PUSH MOUNT RT30SSF5 20P
105	31409801AS	SADDLE,LOCKING WIRE LWS-0711Z 20P
106	31139103	PLAPOINT,FE4*6 WH
107	31049170AS	SCREW SET,CAP M3*8 NI 50 PCS.
108	31029802AS	BUSH SET,ROLL 3*3.5 3C 100PCS.
109	31019166	SCREW SET,BINDING M2.3*10 NI 100PCS.
110	31049154AS	SCREW SET,CAP M3*6 NI+PW 20 PCS
111	31049105AS	SCREW SET,CAP M3*6 3CBC 20 PCS
112	31049155AS	SCREW SET,CAP M3*12 BC+PW 20 PCS.
113	31029804AS	BUSH SET,ROLL 3*5.5 3C 100PCS.
114	31109802	NUT SET,HEXAGON M4 NI 100PCS
115	3000000025	SCREW,PAN 5*10 3C 50PCS
116	31169103AS	SCREW SET,FLAT M3*6 3CBC 100 PCS
117	31179908AS	SCREW SET,UREA M3*20 N-1 WH 50PCS



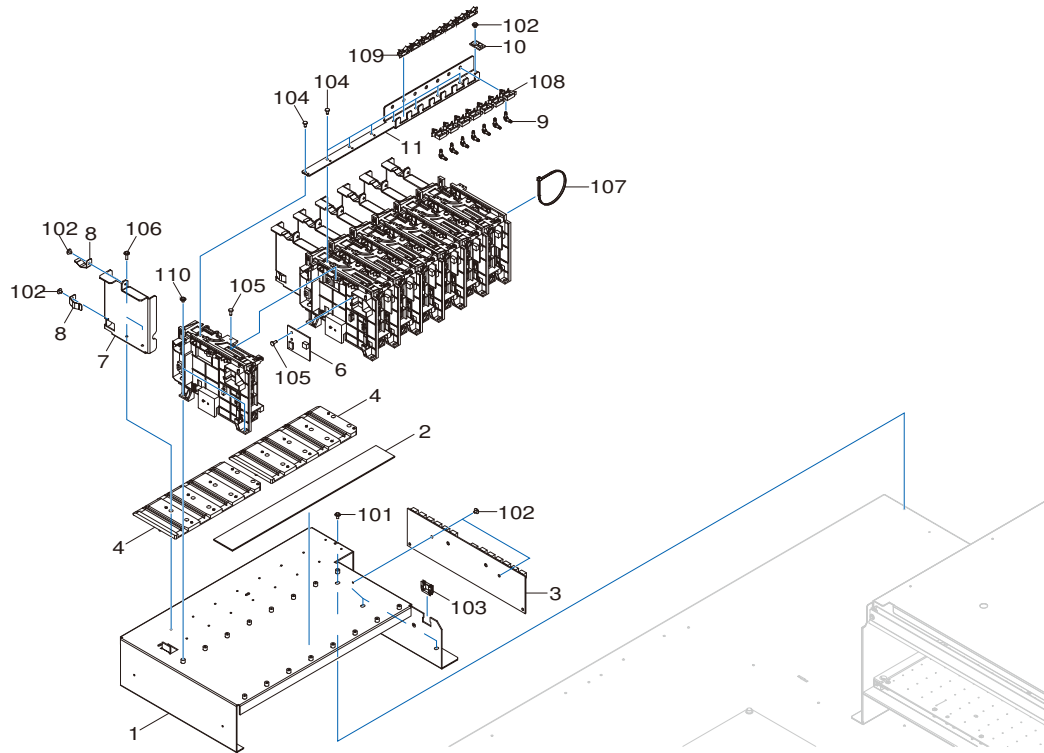
Pos	Code	Description
1	1000014664	PLATE,Z LEVEL LEF-300
2	1000014665	PLATE,Z LEVEL STAY LEF-300
3	1000014708	R-BEARING,630ZZ(FL)
4	1000014683	COVER,Z SENSOR LEF-300
5	1000008307	SPRING,BACK UP Z SENSOR LEF-12
6	1000018291	PLATE,SHUTTER Z SENSOR LEF-300
7	1000011065	SENSOR-INTERRUPTER,GP1A173LCS2F
8	1000018290	STAY,DAMPER Z SENS LEF-300
9	1000018293	STAY,ADJUST SENSOR R2 LEF-300
10	1000018289	STAY,Z SENSOR LEF-300
11	31179106	SCREW,JACK UP SP-540V
101	31289116AS	CUPSCREW SET,M3*14 NI 100 PCS.
102	31289109AS	CUPSCREW SET,M3*4 NI 100 PCS
103	3000000258	PIPE SET,POLYCA 3*6*11 20PCS
104	31049171AS	SCREW SET,CAP M3*12 NI 50 PCS.
105	1000015253	BUSH,D3S2 LEF-300
106	1000015254	BUSH,D3S4 LEF-300
107	31289105AS	CUPSCREW SET, M3*6 3CBC 100 PCS
108	31239125AS	SCREW SET,W-SEMS M3*8 SUS 50 PCS.



Pos	Code	Description
1	1000014667	COVER,CARRIAGE LEF-300
2	22135440	GUIDE,HEAD AL FJ-540
3	22175519	SPRING,HEAD PRESS 500 FJ-540
4	1000019953	GUARD,HEAD CARRIAGE CG2113
5	1000014671	BASE,CARRIAGE AL LEF-300
6	1000018225	GUIDE,CARRIAGE CAP LEF-300
7	1000003076	GUIDE,CARRIAGE CAP VP-540
8	1000014673	BASE,PLATE CARRIAGE R LEF-300
9	31659102	RUBBER,GROMMET MAKUTUKI MG-2
10	1000014672	BASE,PLATE CARRIAGE L LEF-300
11	1000008301	SHIELD,HEAD SIDE LEF-12
12	1000014645	SHIELD,HEAD REAR LEF-300
13	1000014646	SHIELD,HEAD LEF-300
14	1000018418	SUPPORT,CARRIAGE BOARD2 LEF-300
15	21345105	LOCK,CJ-500
16	1000020961	BASE,PLATE CARRIAGE CG2129
17	1000020018	ASSY,LED MARKER CG2113
18	1000015114	HOLDER,BELT EGX-600_01
19	22025646	COVER,BELT HOLDER EGX-600
20	1000014901	PLATE,ENC SENS LEF-300
21	6703524040	ASSY,LINEAR ENCODER BOARD EJ-640
22	1000002588	COVER,HEAD BOARD VP-540
23	21905166	ADAPTER,HEAD FJ-540
24	1000012951	SPRING,HEAD ADJUST 500 FJ-540
25	22055547	PLATE,GND FJ-540
26	6000005180	ASSY,HEAD,INKJET SV LEF2-300
27	6701580440	ASSY,ADAPTER DAMPER LEJ-640
28	6085393800	ASSY,INK DAMPER L 3FAI 4 SJ-1000
29	11909167	ADAPTER,SCREW 3FAI FJ-540
30	1000002643	SUPPORT,DAMPER VP-540
31	1000008590	PLATE,DAMPER LEF-12
32	1000014728	STAY,HOLDER CARRIAGE LEF-300
32	1000022208	STAY,HOLDER CARRIAGE2 LEF-300
33	1000006514	GUIDE,TUBE 10 VS-640
34	1000014692	COVER,CARRIAGE BOARD UNDER LEF-300
35	W703565070	ASSY,PRINT CARRIAGE LEF-300
36	1000014734	COVER,CARRIAGE BOARD LEF-300
37	1000014666	STAY,CARRIAGE TUBE LEF-300
38	1000006316	ADAPTER,JUNCTION VZY430 BK
39	1000011777	STAY,CARRIAGE FLEX LEF-20

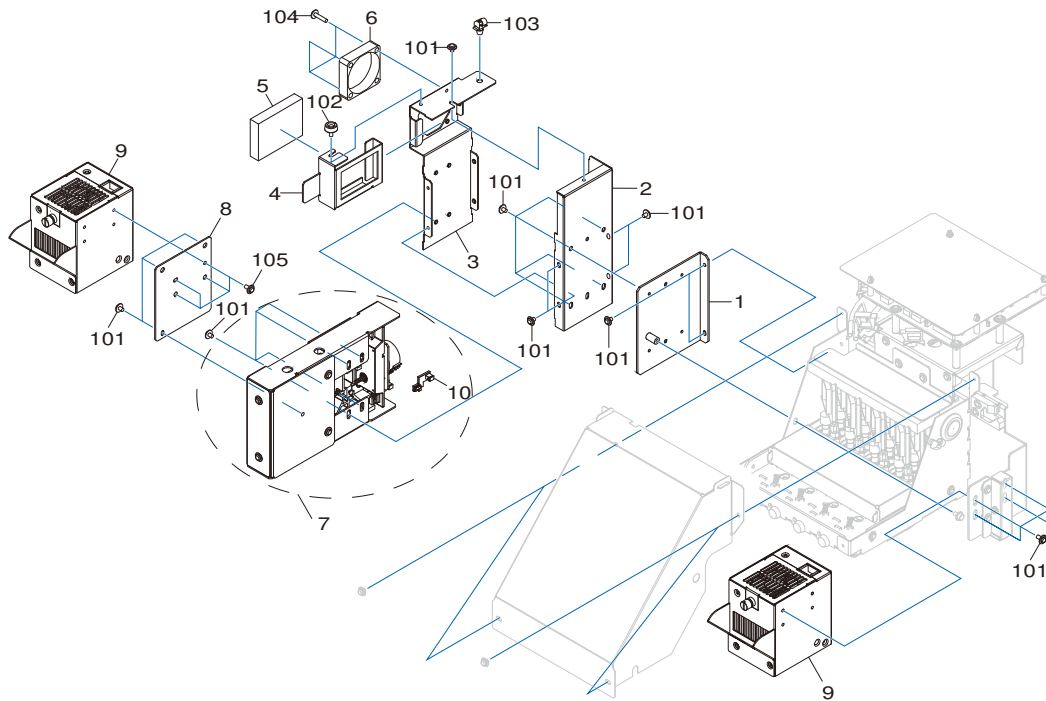


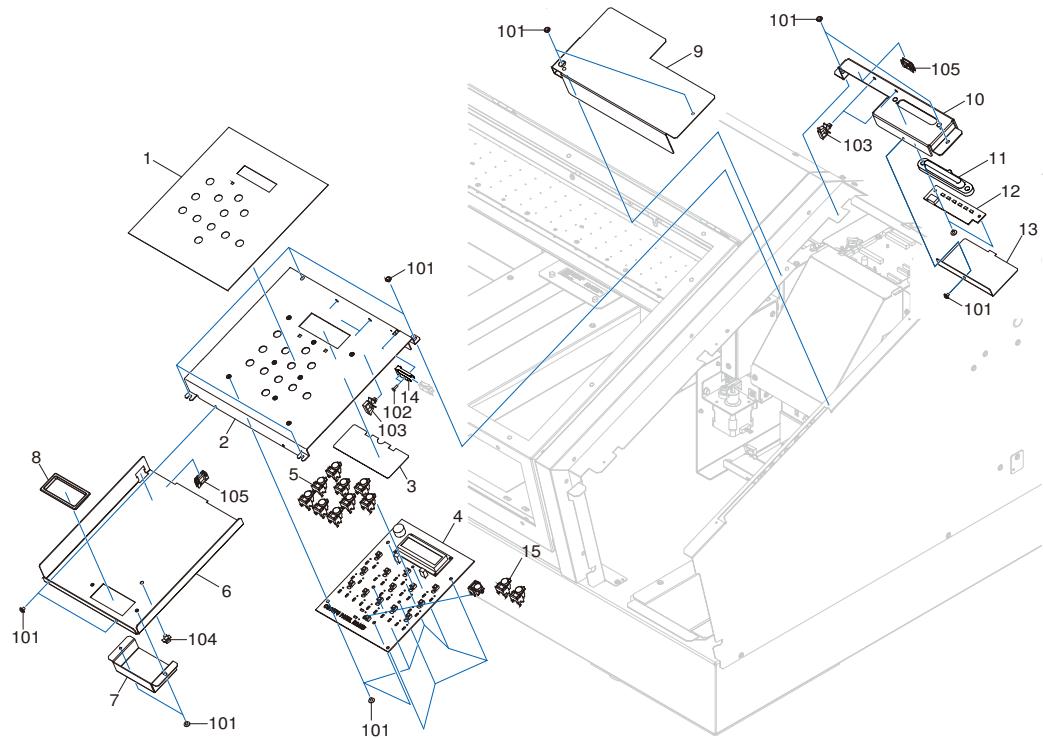
Pos	Code	Description
40	11769118	CLAMP,FCM2-S6-14
41	1000008687	SUPPORT,HOLDER CABLE LEF-12
101	31199905AS	SCRW SET,SET CONE M3*16 NI 20 PCS
102	31089121AS	SCREW SET,PAN M2.3*8 NI+PW 100PCS
103	31239119	SCREW SET,W-SEMS M3*4 NI 50 PCS
104	31179908AS	SCREW SET,UREA M3*20 N-1 WH 50PCS
105	31289102AS	CUPSCREW SET,M3*6 NI 50 PCS.
106	31289109AS	CUPSCREW SET,M3*4 NI 100 PCS
107	31329501AS	CLAMP SET,PUSH MOUNT RT30SSF5 20P
108	31239125AS	SCREW SET,W-SEMS M3*8 SUS 50 PCS.
109	31049169AS	SCREW SET,CAP M4*8 3CBC+PW 20PCS
110	31089117	SCREW SET,PAN 3*6 NI+PW 100 PCS.
111	31019169	SCREW SET,BINDING M2*4 NI 100 PCS.
112	31679902AS	SCREW SET C-SEMS M2*8 NI 100 PCS
113	31409811AS	SADDLE SET,LOCKING WIRE LWS-1211Z 20P
114	31409801AS	SADDLE,LOCKING WIRE LWS-0711Z 20P
115	31299102AS	RIVET SET,NYLON P2655B 20 PCS.
116	31209118	SPACER SET,WPCS-12S-4.0 20PCS



Pos	Code	Description
1	1000015030	BASE,INK CARTRIDGE LEF-300
2	1000008289	SHEET,INKCARTRIDGE LEF-12
3	6000002012	ASSY,INK TANK LEF-300
4	1000008566	PLATE,IC VS-640
5	6702710230	ASSY,HOLDER I/C RF-640
6	6701681300	ASSY,CARTRIDGE IC BOARD
7	1000015187	PLATE,HOLDER I/C2 VS-640
8	22625103	SPRING,PRESS CARTRIDGE SP-300
9	1000017901	ADAPTER,JOINT 3L CG2023
10	W703566040	ASSY,THERMISTOR LEF-300
11	1000014695	PLATE,CARTRIDGE JOINT LEF-300
101	31289102AS	CUPSCREW SET,M3*6 NI 50 PCS.
102	31289109AS	CUPSCREW SET,M3*4 NI 100 PCS
103	31409702	SADDLE SET,LOCKING WIRE LES-1010 20P
104	31019702AS	SCREW SET,BIND P-TIGHT M3*6 3C 100P
105	31019703	SCREW,BINDING P-TIGHT M3*8 3C 100P
106	31289112AS	CUPSCREW SET,M3*10 NI 100 PCS.
107	31329602AS	CLAMP SET,INSULOK T-18L 100 PCS.
108	31409801AS	SADDLE,LOCKING WIRE LWS-0711Z 20P
109	31409902	SADDLE,EDGE EDS-3
110	31089117	SCREW SET,PAN 3*6 NI+PW 100 PCS.

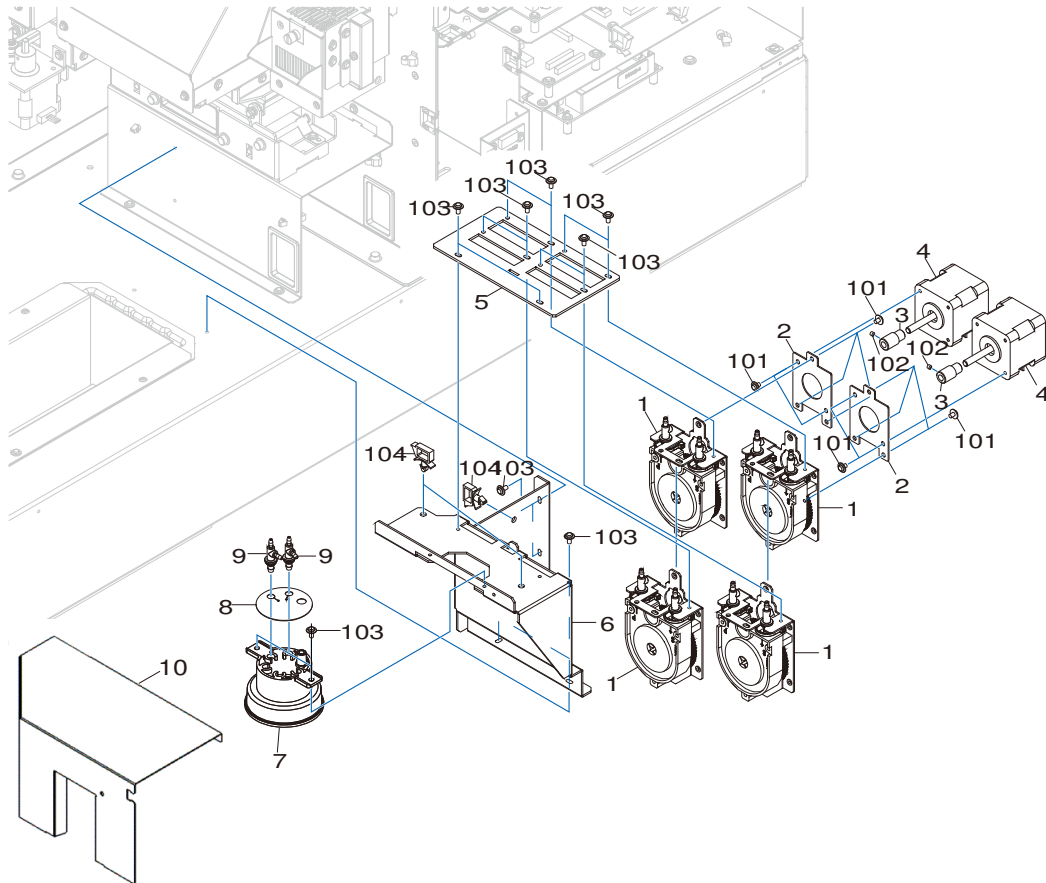
Pos	Code	Description
1	1000015096	BASE,MIST CATCH LEF-300
2	1000011761	STAY,MIST LEF-20
3	1000011754	STAY,LAMP SLIDE LEF-20
4	1000011764	HOLDER,SHEET MIST LEF-20
5	1000011770	FILTER(M),MIST CARRIAGE LEF-20
6	1000008025	FAN,109P0405M911
7	6702459000	UNIT, SLIDER LAMP LEF-20
8	1000011771	PLATE,LAMP LEF-20
9	1000011713	LAMP,LED UV L12587
10	W703566050	ASSY,LIMIT LEF-300
101	31289109AS	CUPSCREW SET,M3*4 NI 100 PCS
102	31139101	SCREW,PLAPOINT M3*6 BK FE
103	31329501AS	CLAMP SET,PUSH MOUNT RT30SSF5 20P
104	31289116AS	CUPSCREW SET,M3*14 NI 100 PCS.
105	31289102AS	CUPSCREW SET,M3*6 NI 50 PCS.

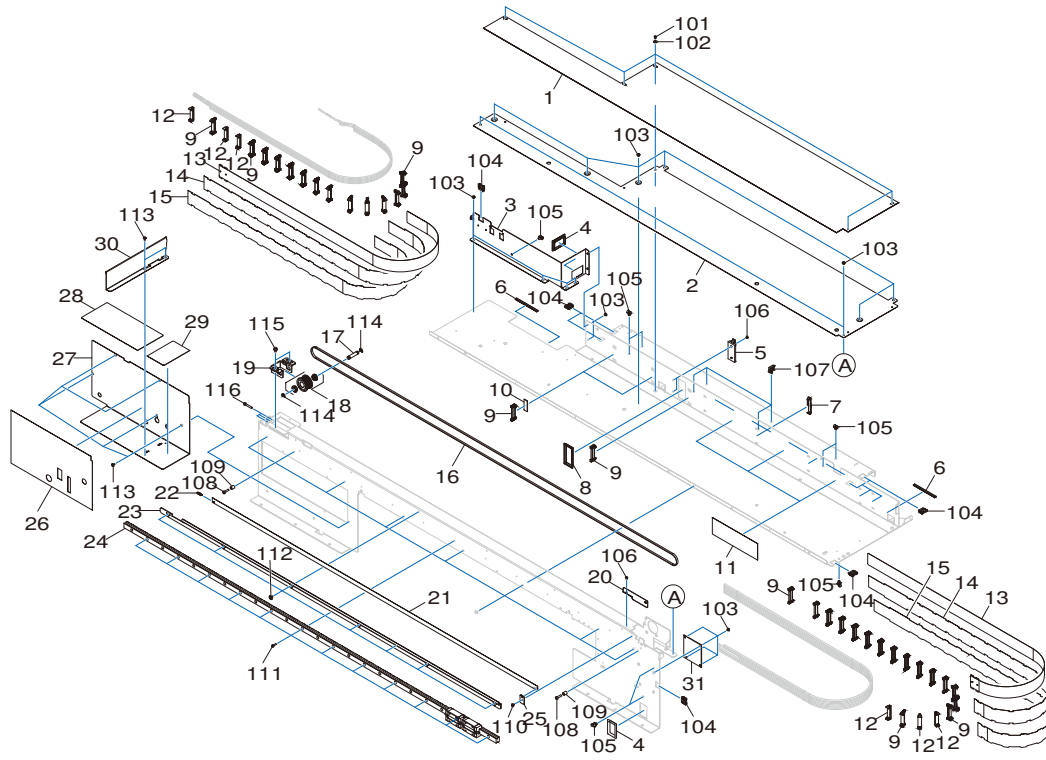




Pos	Code	Description
1	1000020960	SHEET,PANEL CG2129
2	1000020952	COVER,RAIL CG2129
3	1000003029	SHEET,LCD VP-540
4	W703566020	ASSY,PANEL LEF-300
5	1000012563	KEY,TOP WHITE GS-24
6	1000014963	COVER,CHASSIS EJ-640
7	1000008688	COVER,PANEL CABLE LEF-12
8	31029106	BUSH,SQUARE SB-6025
9	1000020958	PLATE,SAFETY GUARD R CG2129
10	1000014710	STAY,INDICATOR LED LEF-300
12	W703566030	ASSY,LED LAMP LEF-300
13	1000014732	STAY,COVER INDICATOR LEF-300
14	1000020996	LEVER,SWITCH SS01 CG2129
15	1000012564	KEY,TOP CLEAR GS-24
101	31289109AS	CUPSCREW SET,M3*4 NI 100 PCS
102	31019149	SCREW SET,BINDING M2.3*8 3CBC 100PCS
103	31409801AS	SADDLE,LOCKING WIRE LWS-0711Z 20P
104	31329501AS	CLAMP SET,PUSH MOUNT RT30SSF5 20P
105	31409702	SADDLE SET,LOCKING WIRE LES-1010 20P

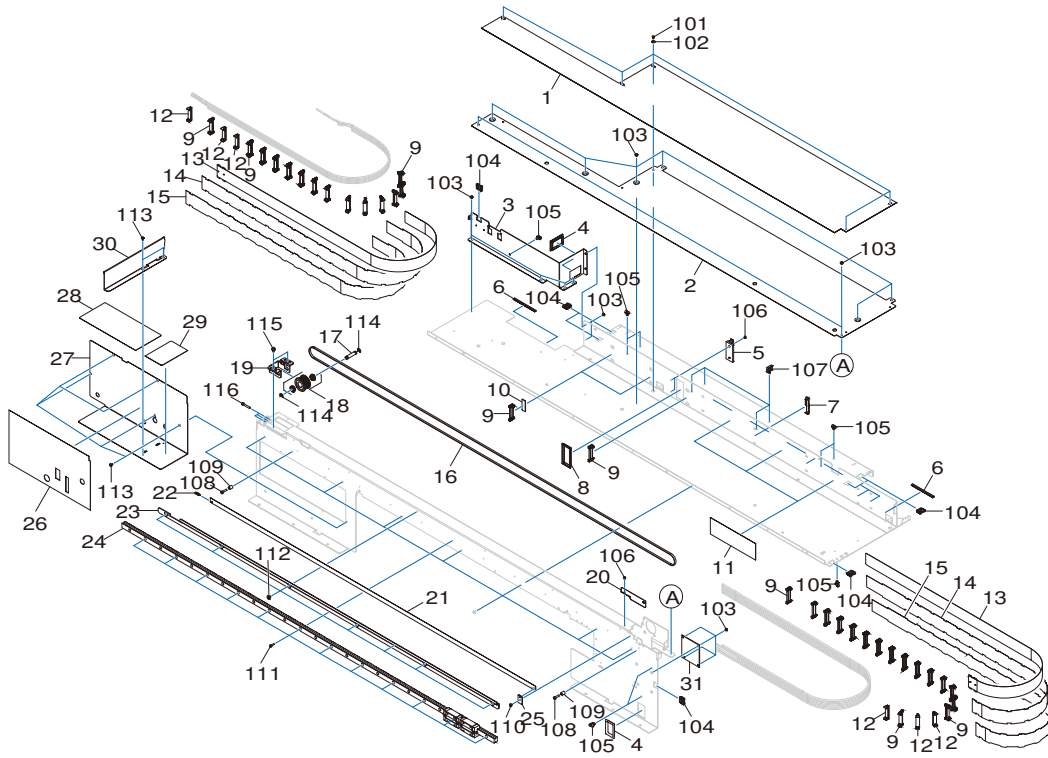
Pos	Code	Description
1	6000005253	ASSY,PUMP SUB SV LEF2-200
2	1000001585	PLATE,P-MOTOR XC-540
3	1000012988	GEAR,S10B20
4	1000007733	MOTOR,XS-5208-064
5	1000020014	PLATE,W-PUMP CG2113
6	1000021106	BASE,W-PUMP CG2129
7	1000019746	CAP,PP BOTTLE CG2075
8	1000020659	COVER,CAP PP BOTTLE CG2113
9	1000001577	ADAPTER,TUBE 2-4-T XC-540
10	1000021105	COVER,ASSY PUMP CG2129
101	31289109AS	CUPSCREW SET,M3*4 NI 100 PCS
102	31199701AS	SCREW SET,SET WP M3*3 NI 20 PCS
103	31289102AS	CUPSCREW SET,M3*6 NI 50 PCS.
104	31409801AS	SADDLE,LOCKING WIRE LWS-0711Z 20P



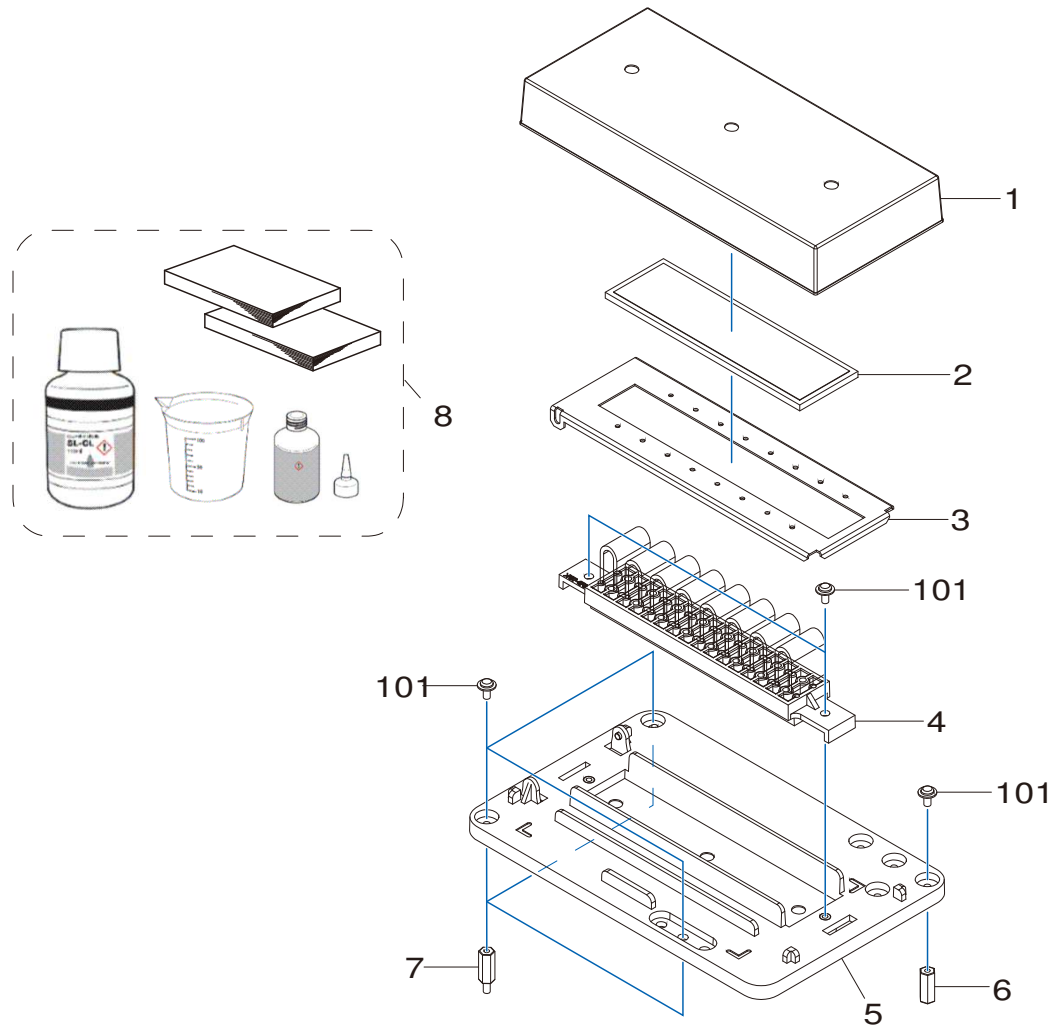


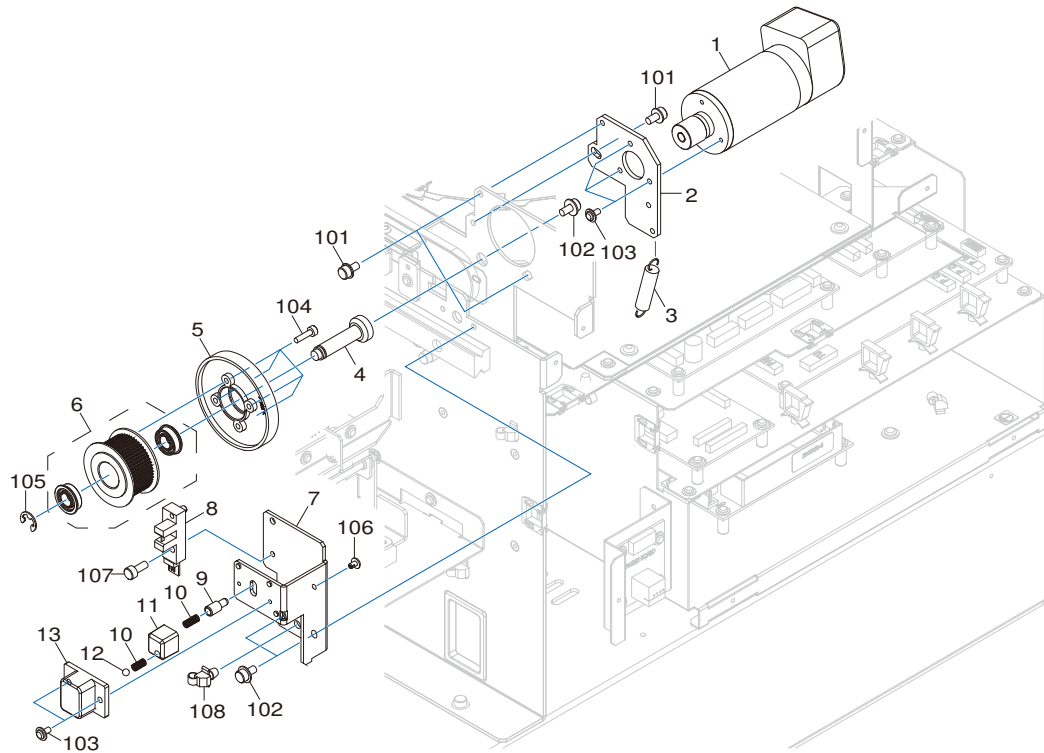
Pos	Code	Description
1	1000014659	SHEET,TUBE GUIDE LEF-300
2	1000014647	SUPPORT,GUIDE TUBE LEF-300
3	1000014658	STAY,CIRCULATION PUMP LEF-300
4	31029901	BUSH,SQUARE SB-4025
5	1000020957	PLATE,IC MAINTENANCE HATCH CG2129
6	1000014707	COVER,EDGING L82.5
7	3000000033	CLAMP,WIRE PLESS RFC-45VO
8	31029106	BUSH,SQUARE SB-6025
9	1000010114	GUIDE,TUBE XF-640
10	1000003151	PAD,GUIDE TUBE VP-540
11	1000003089	SHEET,FRAME SUPPORT RAIL VP-540
12	1000006514	GUIDE,TUBE 10 VS-640
13	1000014720	PLATE,HOLDER CABLE LEF-300
14	1000014719	HOLDER,CABLE F LEF-300
15	1000014718	HOLDER,CABLE LEF-300
16	1000014723	BELT,50S2M1435LW-C
17	1000001479	SHAFT,IDLE PULLEY XC-540
18	6700469030	ASSY,PULLEY VP-540
19	1000001555	HOLDER,IDLE PULLEY XC-540
20	1000008584	SHEILD,SCAN MOTOR LEF-12
21	1000014724	SHEET,LINEAR SCALE LEF-300
22	1000014696	SPRING,BACKUP LEF-300
23	1000014643	RAIL,LINEAR SCALE LEF-300
24	1000014670	L-BEARING,SSR15XW2GE+1440L
25	22135441	STOPPER,LINEAR SCALE FJ-540
26	1000021368	SHEET,MAINTE HATCH CG2129
27	1000020957	PLATE,IC MAINTENANCE HATCH CG2129
28	1000021370	SHEET,MAINTE HATCH UNDER L CG2129
29	1000021369	SHEET,MAINTE HATCH UNDER R CG2129
30	1000020966	PLATE,SCREEN LIGHT L CG2129
31	W703565050	ASSY,SENS JUNCTION LEF-300
101	31159902AS	RIVET SET,NYLON P3055W 20 PCS.
102	3000000259	WASHER SET,POM CC-0310-10 20PCS
103	31289109AS	CUPSCREW SET,M3*4 NI 100 PCS
104	31409702	SADDLE SET,LOCKING WIRE LES-1010 20P
105	31329501AS	CLAMP SET,PUSH MOUNT RT30SSF5 20P
106	31159901AS	RIVET SET,NYLON P3045W 20 PCS.
107	31409801AS	SADDLE,LOCKING WIRE LWS-0711Z 20P
108	31049174AS	SCREW SET,CAP M4*15 NI 20 PCS.
109	31129102	PIPE SET,POLYCA 4*8*10 20PCS

Pos	Code	Description
110	31289102AS	CUPSCREW SET,M3*6 NI 50 PCS.
111	31049155AS	SCREW SET,CAP M3*12 BC+PW 20 PCS.
112	31239103AS	SCREW SET,W-SEMS M3*8 NI+PW 50 PCS
113	31289105AS	CUPSCREW SET, M3*6 3CBC 100 PCS
114	31149704AS	RING SET,E-RING ETW-6 SUS 100 PCS
115	31049169AS	SCREW SET,CAP M4*8 3CBC+PW 20PCS
116	3000000423	CAP-SCREW,4*25 3CBC 100PCS
116	31049137AS	SCREW SET,CAP M4*25 3CBC 20 PCS

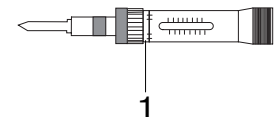


Pos	Code	Description
1	1000019972	COVER,UV HEAD CLEANER CG2113
2	1000019973	PAD,ABSORBER CG2113
3	1000019971	COVER,FABRIC CG2113
4	6000004959	ASSY,HEAD REF RUBBER SV CG2113
5	1000019965	PLATE,UV HEAD CLEANER CG2113
6	1000019967	SPACER,UV HEAD CLEANER2
7	1000019966	SPACER,UV HEAD CLEANER1
8	6000004757	HEAD REFRESHERVT-22 SV LEF-200
101	31289102AS	CUPSCREW SET,M3*6 NI 50 PCS.
102	31289109AS	CUPSCREW SET,M3*4 NI 100 PCS
103	31049105AS	SCREW SET,CAP M3*6 3CBC 20 PCS
104	31159904	RIVET SET,NYLON P3065B 20 PCS.

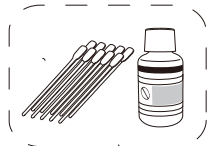




Pos	Code	Description
1	6000002593	ASSY,SCAN MOTOR LEF-12_01
2	1000008258	FLANGE,MOTOR SCAN LEF-12
3	22175157	SPRING,C P-ROLLER CM-500
4	1000001480	SHAFT,DRIVE PULLEY XC-540
5	1000001905	GEAR,H187S20(B8)
6	6700469030	ASSY,PULLEY VP-540
7	1000014899	STAY,LOCK HOLDER LEF-300
8	1000006689	SENSOR-INTERRUPTER,EE-SX4009-P1
9	1000012944	SHAFT,LOCK CJ-70
10	22175134	SPRING,A CJ-70
11	1000016170	SLIDER,LOCK CJ-70_02
12	11869103	BALL,4MM
13	1000016171	CASE,LOCK CJ-70_02
101	3000000172	SCREW SET,CAP M4*8 NI WSH4*9*0.8 20P
102	31049169AS	SCREW SET,CAP M4*8 3CBC+PW 20PCS
103	31289102AS	CUPSCREW SET,M3*6 NI 50 PCS.
104	31049171AS	SCREW SET,CAP M3*12 NI 50 PCS.
105	31149704AS	RING SET,E-RING ETW-6 SUS 100 PCS
106	31159901AS	RIVET SET,NYLON P3045W 20 PCS.
107	31049173AS	SCREW SET,CAP M4*10 NI 50 PCS.
108	31329501AS	CLAMP SET,PUSH MOUNT RT30SSF5 20P



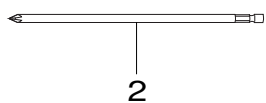
1



6



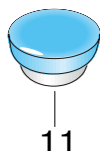
10



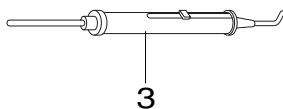
2



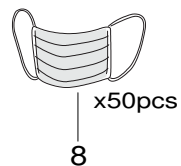
7



11

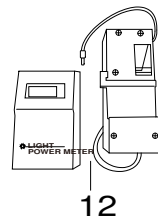


3

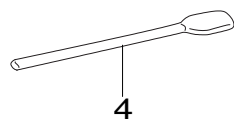


8

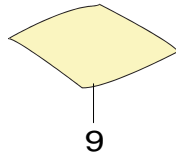
x50pcs



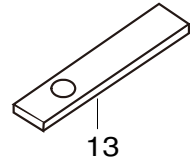
12



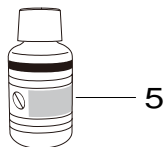
4



9

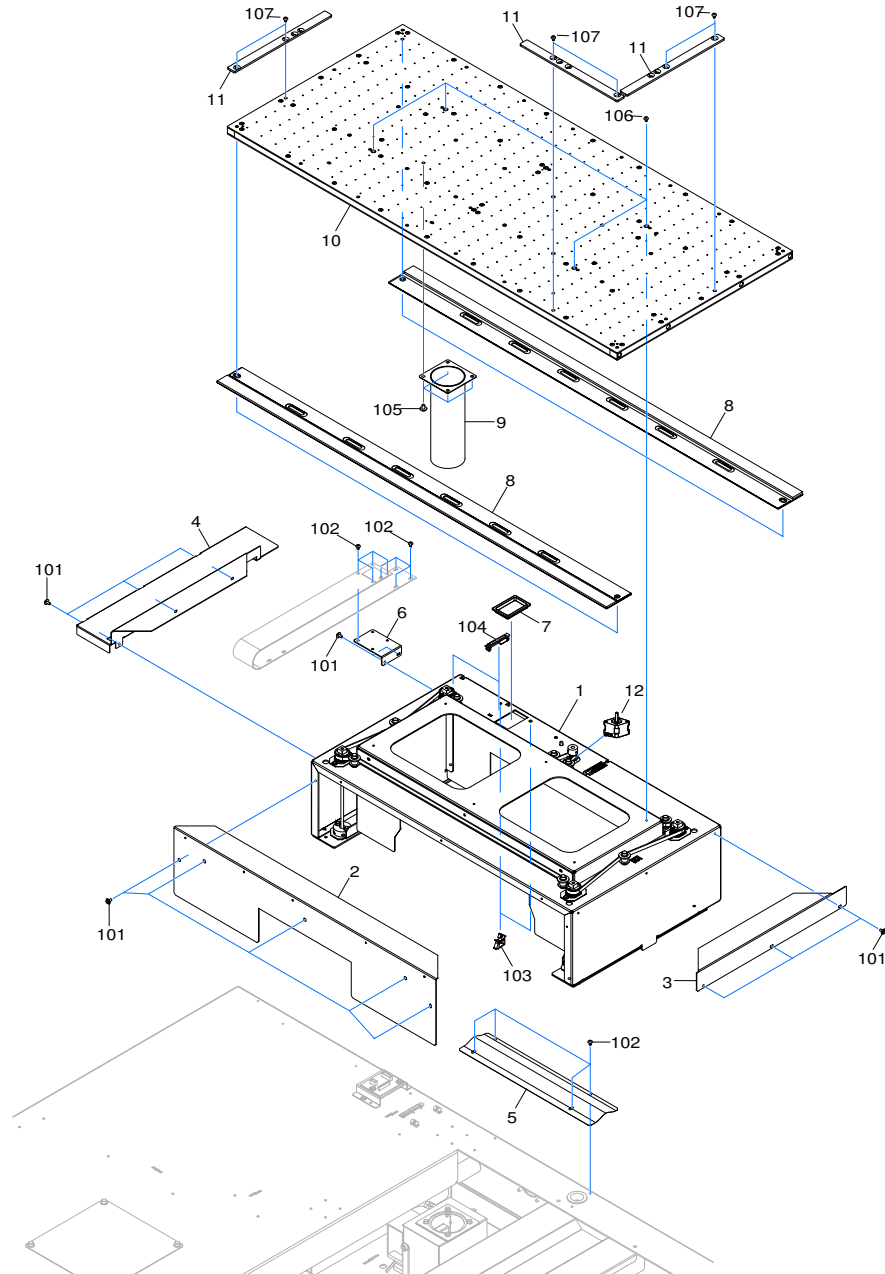


13



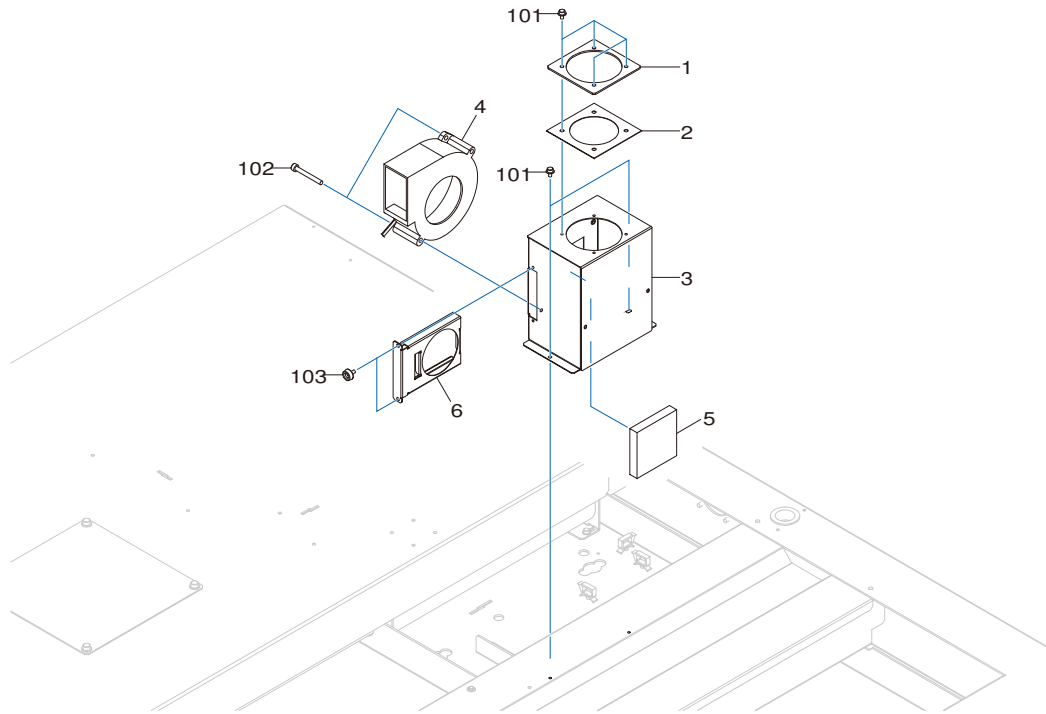
5

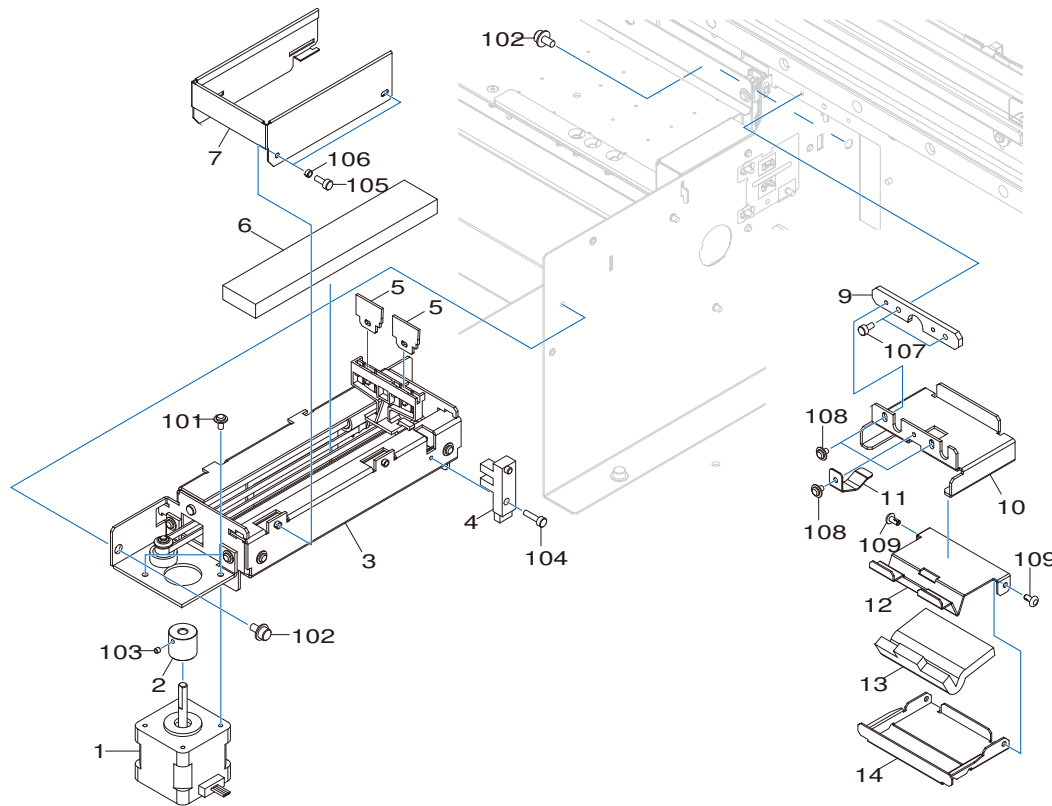
Pos	Code	Description
1	ST-056	TORQUE DRIVER N6
2	1000005463	TOOL,BIT PHILLIPS NO.1 L150MM ST-107
3	ST-001	TENSION GAUGE 2000GF/2000CN
4	1000003138	SET,CLEANER STICK TX712A 10PCS.
4	1000007172	CLEANER SET,STICK TX712A 100PCS
4	ST-037	CLEAN STICK TX712A
5	21755107	CLEANING LIQUID(SL) 500ML
5	6702419050	CLEANING LIQUID(ESL5) 500ML
6	22085118	KIT,CLEANING(SL)
6	6701409310	KIT,CLEANING(ESL5) 100ML
7	1000005467	TOOL,GLASSES UV COATING ST-111
8	1000006676	TOOL,DEODORANT MASK DPM-FM ST-116
9	1000005829	TOOL,VINYL YE UV RESISTANT ST-113
10	3000000188	SPACER,SHIM RING RF004010010 10PCS.
11	21675102	GREASE,FLOIL G-902 10ML
11	6000004129	GREASE,FLOIL G-902 10ML_02
12	1000021605	SET,PWR-M C6080-385-NF,E15348-01 SV
13	1000021760	SCRAPER,UV LAMP GLASS LEF2-200



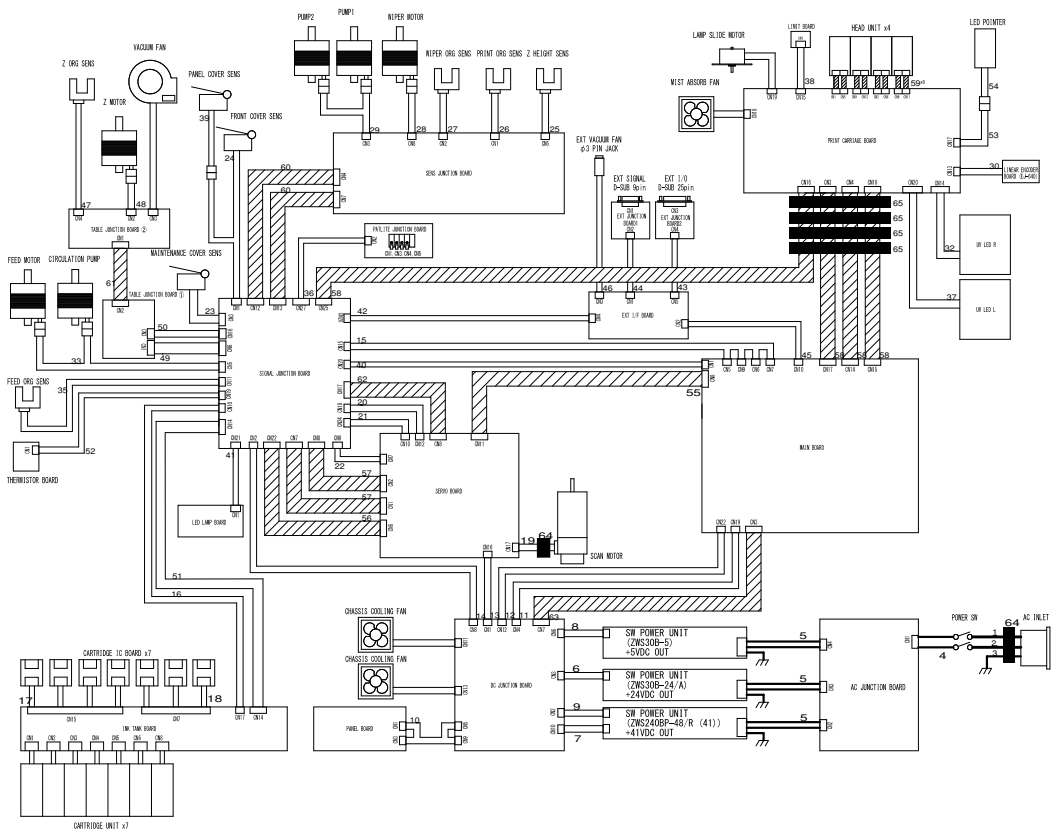
Pos	Code	Description
1	6703560100	ASSY, TABLE UNIT SUB LEF-300
2	1000020959	COVER, TABLE BASE A CG2129
3	1000014652	COVER, TABLE BASE R LEF-300
4	1000014653	COVER, TABLE BASE L LEF-300
5	1000011768	COVER, Y MOTOR CABLE LEF-20
6	1000014738	STAY, F CABLE LEF-300
7	31029901	BUSH, SQUARE SB-4025
8	1000020965	PLATE, TABLE EXTENSION CG2129
8	1000021630	PLATE, TABLE EXTENSION 2 CG2129
9	1000014651	PIPE, DUCT TABLE LEF-300
10	1000021128	ASSY, VACUUM UNIT SUB CG2129
11	1000020972	PLATE, GUIDE MEDIA CG2129
12	1000014971	MOTOR, 103H5208-5249
101	31289105AS	CUPSCREW SET, M3*6 3CBC 100 PCS
102	31159901AS	RIVET SET, NYLON P3045W 20 PCS.
103	31409801AS	SADDLE, LOCKING WIRE LWS-0711Z 20P
104	3000000030	CLAMP, WIRE PRESS RFC-33V0
105	31289111AS	CUPSCREW SET, M4*6 NI 100 PCS.
106	31049107AS	SCREW SET, CAP M3*12 3CBC 20 PCS
107	3000000555	SCREW, SARA 4*6 BC

Pos	Code	Description
1	1000014654	FLANGE,DUCT TABLE LEF-300
2	1000014655	PACKING,DUCT TABLE LEF-300
3	1000014648	CASE,DUCT TABLE LEF-300
4	1000007789	FAN,9BAM24HA2+CN
5	1000014675	FILTER,(M) VACUUM CHAMBER LEF-300
6	1000014674	HOLDER,FILTER FAN LEF-300
101	31049154AS	SCREW SET,CAP M3*6 NI+PW 20 PCS
102	31049134AS	SCREW SET,CAP M4*35 NI 20 PCS
103	31139101	SCREW,PLAPOINT M3*6 BK FE

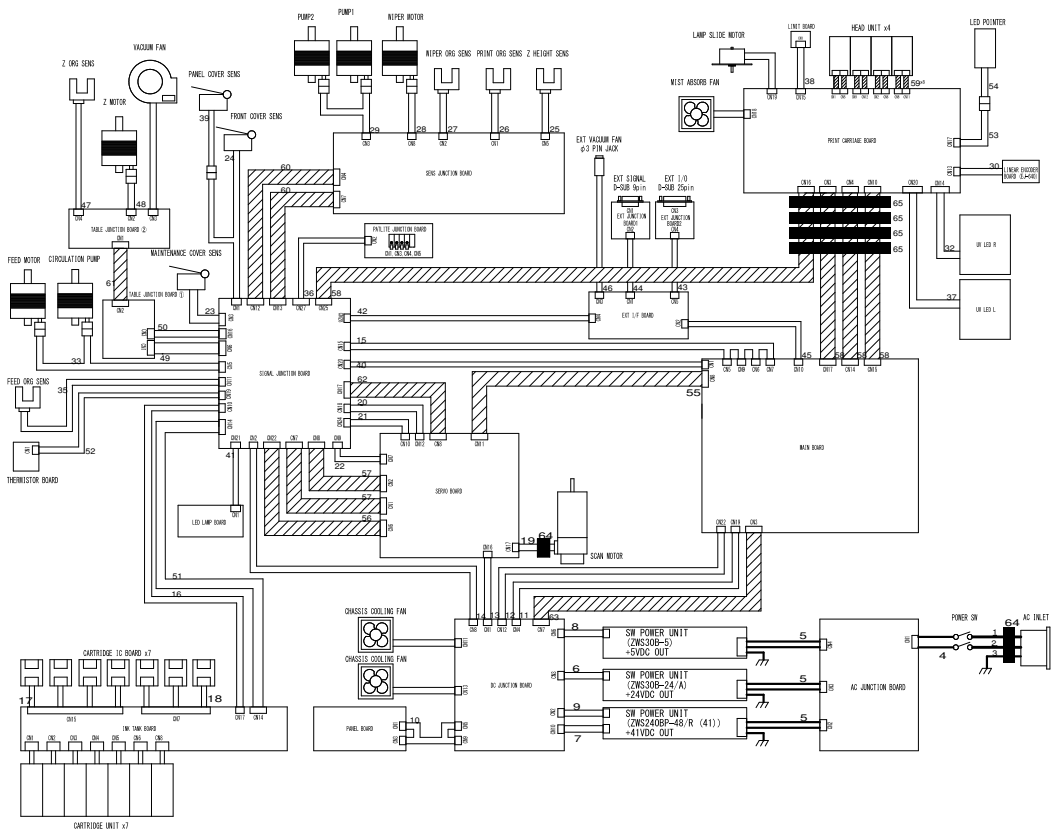




Pos	Code	Description
1	22435106	MOTOR,103-593-1041
2	1000012952	GEAR,S53S5(B15)
3	6000004387	ASSY,WIPER SUB CG2113
4	1000006689	SENSOR-INTERRUPTER,EE-SX4009-P1
5	1000015036	WIPER,HEAD FOR UV INK
6	21545160	PAD,WIPER TRAY SJ-540
7	1000020236	COVER,WIPE CG2113
9	1000020088	PLATE,ADJUST CLEANER CG2113
10	1000020964	BASE,WIPER CLEANER CG2129
11	22625103	SPRING,PRESS CARTRIDGE SP-300
12	1000020963	COVER,WIPER CLEANER CG2129
13	1000019978	CLEANER,WIPER CG2113
14	1000020962	HOLDER,WIPER CLEANER CG2129
101	31289102AS	CUPSCREW SET,M3*6 NI 50 PCS.
102	31049169AS	SCREW SET,CAP M4*8 3CBC+PW 20PCS
103	31199701AS	SCREW SET,SET WP M3*3 NI 20 PCS
104	31049171AS	SCREW SET,CAP M3*12 NI 50 PCS.
105	31049170AS	SCREW SET,CAP M3*8 NI 50 PCS.
106	31029820	BUSH SET,ROLL 3*2 3C 50PCS
107	31049105AS	SCREW SET,CAP M3*6 3CBC 20 PCS
108	31289109AS	CUPSCREW SET,M3*4 NI 100 PCS
109	31159904	RIVET SET,NYLON P3065B 20 PCS.



Pos	Code	Description
1	100002189	CABLE-ASSY,JUNBI A VP-540
2	100002190	CABLE-ASSY,JUNBI B VP-540
3	23415268	CABLE-ASSY AC GROUND GREEN SP-540
4	100008354	CABLE-ASSY,POWER AC LEF-12
5	100009409	CABLE-ASSY,POWER-AC-DC FH-740
6	100014923	CABLE-ASSY,POWER-DC-24 LEF-300
7	100014924	CABLE-ASSY,POWER-DC-41 LEF-300
8	100011657	CABLE-ASSY,POWER-DC-A LEF-20
9	100011658	CABLE-ASSY,SLEEP CONTROL LEF-20
10	100011659	CABLE-ASSY,JUNC-PANEL LEF-20
11	100008338	CABLE-ASSY,POWER-MAIN-A LEF-12
12	100008339	CABLE-ASSY,POWER-MAIN-B LEF-12
13	100008337	CABLE-ASSY,POWER-SERVO LEF-12
14	100008336	CABLE-ASSY,POWER-SIGNAL LEF-12
15	100008332	CABLE-ASSY,JUNC-SENS LEF-12
16	100014925	CABLE-ASSY,INK SERIAL 1 LEF-300
17	100014926	CABLE-ASSY,INK CARTRIDGE 2 LEF-300
18	100014927	CABLE-ASSY,INK CARTRIDGE LEF-300
19	100011662	CABLE-ASSY,SCAN MTR LEF-20
20	100008334	CABLE-ASSY,SUB SERIAL LEF-12
21	100008333	CABLE-ASSY,AMBIENT AD LEF-12
22	100008335	CABLE-ASSY,FAN JUNC LEF-12
23	100020728	CABLE-ASSY,L-COVER SW CG2129_00
24	100020727	CABLE-ASSY,F-COVER SW CG2129_00
25	100014930	CABLE-ASSY,Z HEIGHT SENS LEF-300
26	100014931	CABLE-ASSY,PRINT ORG SENS LEF-300
27	100014932	CABLE-ASSY,WIPER ORG SENS LEF-300
28	100014933	CABLE-ASSY,WIPER MTR LEF-300
29	100014934	CABLE-ASSY,PUMP MTR LEF-300
30	100008343	CABLE-ASSY,L-ENCODER LEF-12
32	100014935	CABLE-ASSY,LAMP R LEF-300
33	100014936	CABLE-ASSY,CIRC MTR LEF-300
34	100014952	CABLE-ASSY,GND LEF-300
35	100014937	CABLE-ASSY,FEED ORG SENS LEF-300
36	100014938	CABLE-ASSY,PATLITE LEF-300
37	100011654	CABLE-ASSY,LAMP LEF-20
38	100011655	CABLE-ASSY,LAMP LIIDE LIMIT LEF-20
39	100020729	CABLE-ASSY,R-COVER SW CG2129_00
40	100014939	CABLE-ASSY,THERMISTOR JUNC LEF-300
41	100014940	CABLE-ASSY,LED LAMP LEF-300



Pos	Code	Description
42	1000014941	CABLE-ASSY,EXT LAMP JUNC LEF-300
43	1000014942	CABLE-ASSY,JUNC D-SUB25 LEF-300
44	1000014943	CABLE-ASSY,JUNC D-SUB9 LEF-300
45	1000014944	CABLE-ASSY,EXT I/O JUNC LEF-300
46	6000002120	CABLE-ASSY,EXT VACUUM LEF-300
47	1000014946	CABLE-ASSY,Z-ORG SENS 2 LEF-300
48	1000014947	CABLE-ASSY,Z-MOTOR LEF-300
49	1000014948	CABLE-ASSY,Z-TABLE LEF-300
50	1000014949	CABLE-ASSY,Z-ORG SENS 1 LEF-300
51	1000014950	CABLE-ASSY,INK SERIAL 2 LEF-300
52	1000014951	CABLE-ASSY,THERMISTOR LEF-300
53	1000019574	CABLE-ASSY,LED POINTER JUNC CG2113
54	1000020726	CABLE-ASSY,LED POINTER CG2129_00
55	1000000619	CABLE-CARD 25P1 225L BB HIGH-V
56	1000000148	CABLE-CARD,28P1 100L BB HIGH-V
57	1000006946	CABLE-CARD,26P1 300L BB HIGH-V
58	1000007177	CABLE-CARD,36P1 2370L BB HIGH-V
59	23475232	CARD CABLE,21P1 385L BB HIGH-V
60	1000014962	CABLE-CARD,21P1 420L BB HIGH-V
61	1000014954	CABLE-CARD,18P1 1160L BB HIGH-V
62	23475201	CABLE,CARD 6P1 255L BB FJ-540
63	1000008361	CABLE-CARD,24P1 90L BB HIGH-V
64	1000001141	FILTER(E),TFT-102010N
65	1000004149	FILTER(E),FRC-40-12-1.7-013