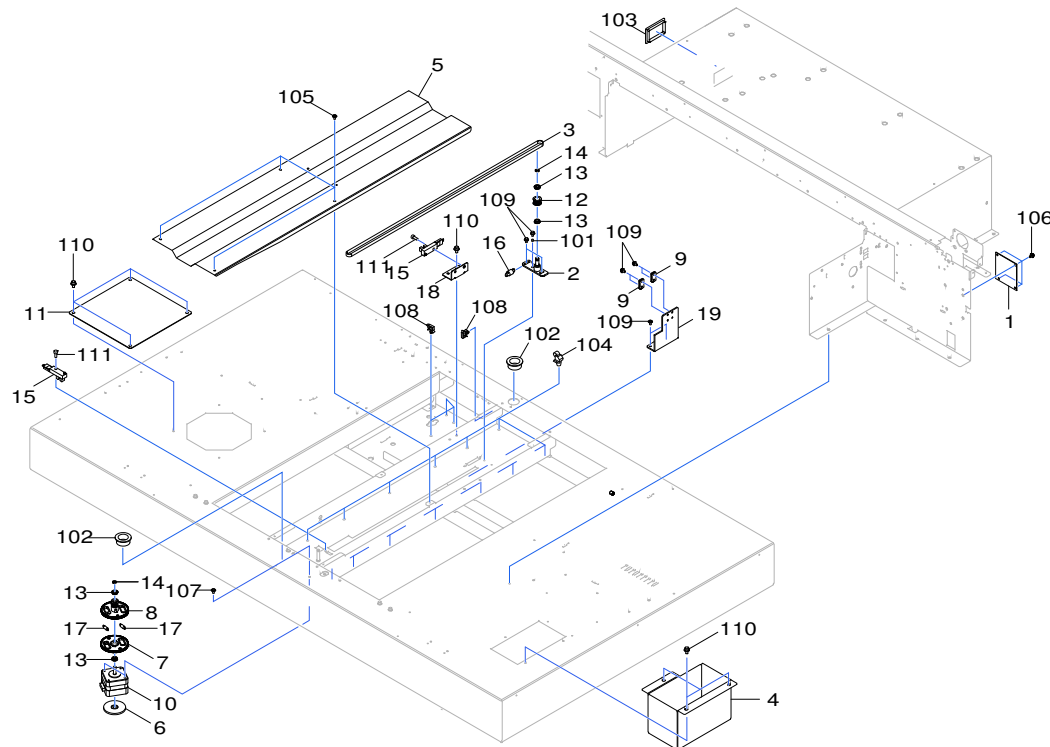
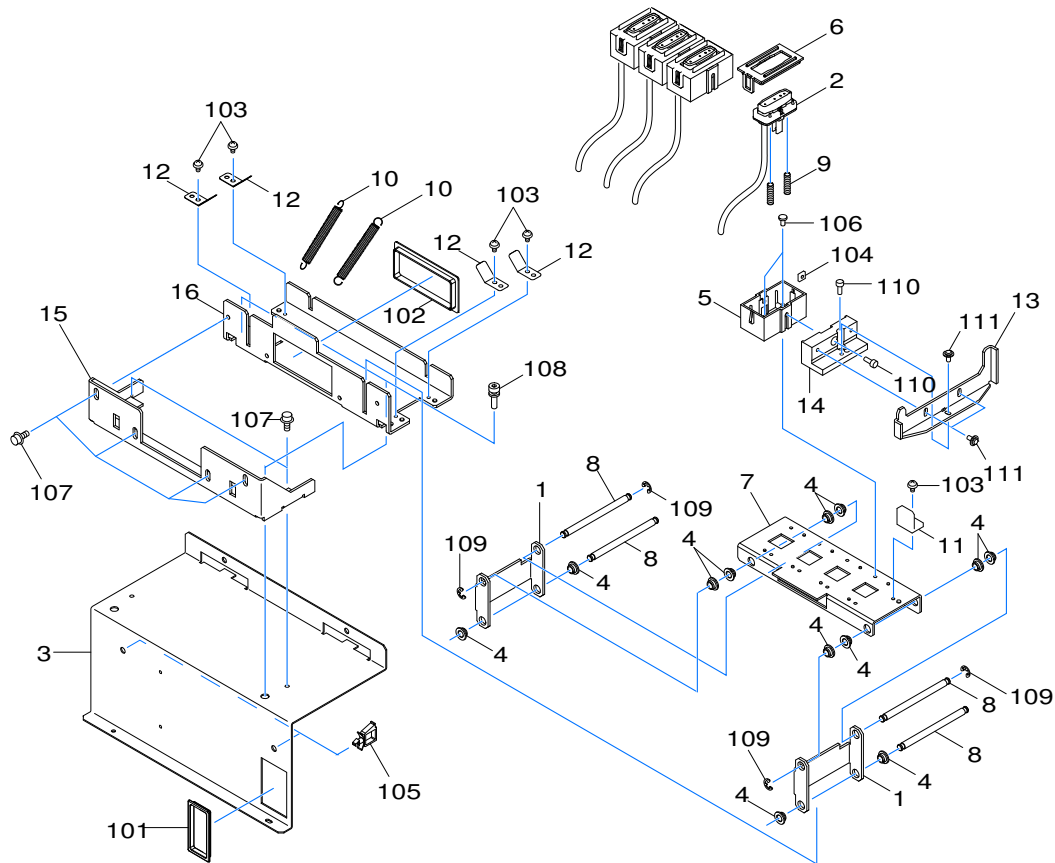


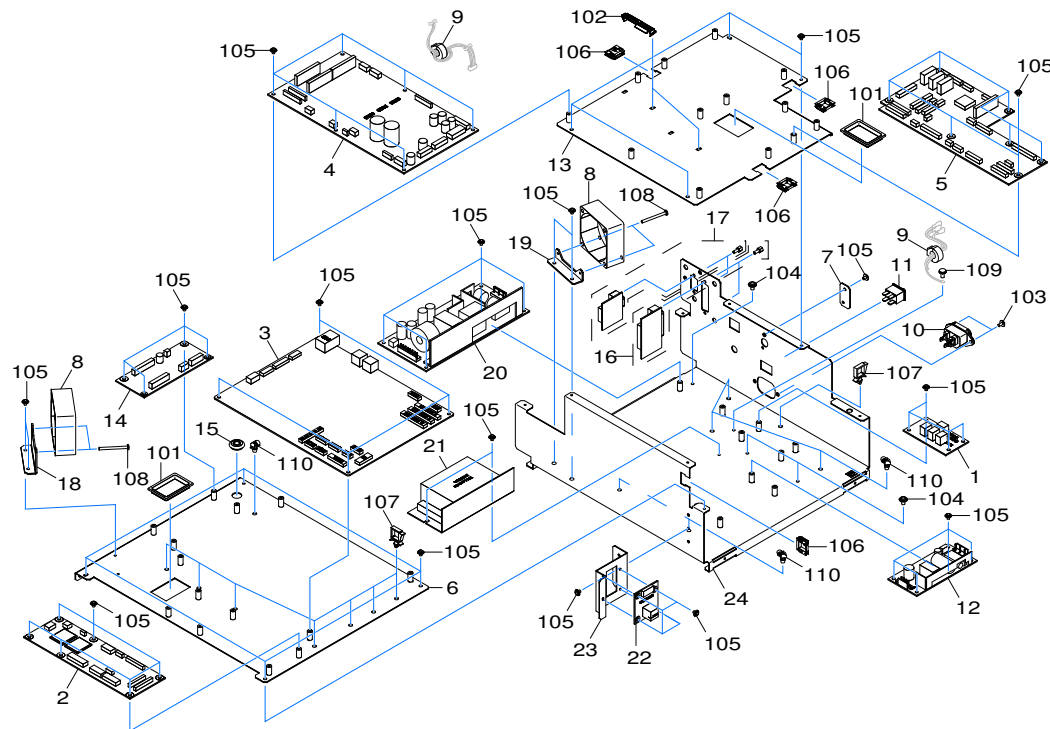
Pos	Code	Description
1	23495124	AC CORD 3ASL100 240VA 10A SAA
2	13499111	AC CORD H05VV-F 240VE 10A S
3	23495125	AC-CORD H05VV 230V 10A S
4	13499209	ADAPTER PLUG (100V)
5	100006571	CABLE-AC,3P 117/230V BR 2.5M
6	13439801	CABLE-AC 3P CHINA 10A250V S
7	1000010999	CABLE-AC, H05VV 230V 10A KC
8	1000005832	CABLE-AC,100V 15A 2.5M 3P
9	1000005833	CABLE-AC,117V 15A 2.5M 3P
10	1000014742	PAD,TRAY LEF-300
11	11369115	CASE,PP BOTTLE
13	1000015018	TRAY,SKID LEF-300
14	22085118	KIT,CLEANING(SL)
14	6701409310	KIT,CLEANING(ESL5) 100ML
15	1000008583	LABEL,DRAIN BOTTLE UV #LA1278
16	1000001099	LABEL,HARMFUL FIRE #LA915
17	1000015060	MANUAL,STA JP LEF-300
17	1000015061	MANUAL,STA EN LEF-300
18	1000015062	MANUAL,USE JP LEF-300
18	1000015063	MANUAL,USE EN LEF-300
19	1000007009	MANUAL,USE2 JP LEC-540
19	1000007010	MANUAL,USE2 EN LEC-540
20	1000008644	PAD,DUMMY CARTRIDGE VS-640
21	1000009033	SHIELD,UV REFLECTION LEF-12
22	1000011769	STOPPER,CARRIAGE LEF-20
23	1000014698	STOPPER,TABLE LEF-300
24	21935130	TOOL,HEXAGON 3 ZN
25	12569656	TWEEZERS PTS-01
26	1000014693	COVER,500CC IC LEF-300
27	6000003150	LABEL,SET INK LEF-300#LA2404
28	1000020882	PAD,SPACER CAP CG1079



Pos	Code	Description
1	W703565050	ASSY,SENS JUNCTION LEF-300
2	22845196	BASE,TENTION TS-30
3	1000014691	BELT,50S2M575LW-C
4	1000011902	COVER,BOTTLE UNDER LEF-20
5	1000014676	COVER,FEED DRIVE LEF-300
6	12569532	DAMPER DM-4025A
7	21685142	GEAR,DRIVE-2 EGX-20
8	21685141	GEAR,DRIVE-1 EGX-20
9	1000002079	HOLDER,BELT MDX-40
10	1000009742	MOTOR,SH1421-5013
11	1000011901	PLATE,INHALE CLOSE 150 FAI LEF-20
12	21975143	PULLEY,T22P2S10B10
13	11889107	R-BEARING,D10S6(B3FL)
14	11519107	RING,O P4
15	1000006689	SENSOR-INTERRUPTER,EE-SX4009-P1
16	1000014697	SPRING,FEED BELT TENTION LEF-300
17	22175306	SPRING,GEAR EGX-20
18	1000008620	STAY,Z ORIGIN SENS LEF-12
19	1000014729	STAY,BELT Y LEF-300
101	31029802AS	BUSH SET,ROLL 3*3.5 3C 100PCS.
102	31029101	BUSH,NB-19
103	31029901	BUSH,SQUARE SB-4025
104	31329501AS	CLAMP SET,PUSH MOUNT RT30SSF5 20P
105	31289105AS	CUPSCREW SET, M3*6 3CBC 100 PCS
106	31289109AS	CUPSCREW SET,M3*4 NI 100 PCS
107	31289102AS	CUPSCREW SET,M3*6 NI 50 PCS.
108	3000000560	SADDLE,LOCKING WIRE LWS-0711Z_TH
108	31409801AS	SADDLE,LOCKING WIRE LWS-0711Z 20P
109	31049154AS	SCREW SET,CAP M3*6 NI+PW 20 PCS
110	31049169AS	SCREW SET,CAP M4*8 3CBC+PW 20PCS
111	31049173AS	SCREW SET,CAP M4*10 NI 50 PCS.

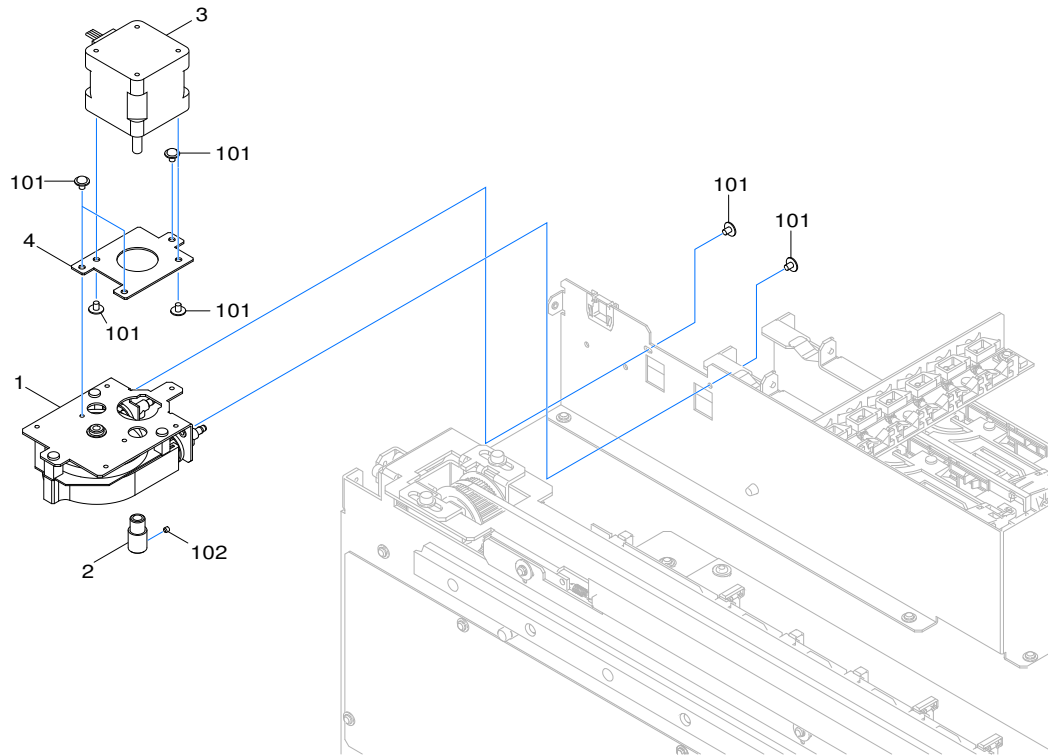


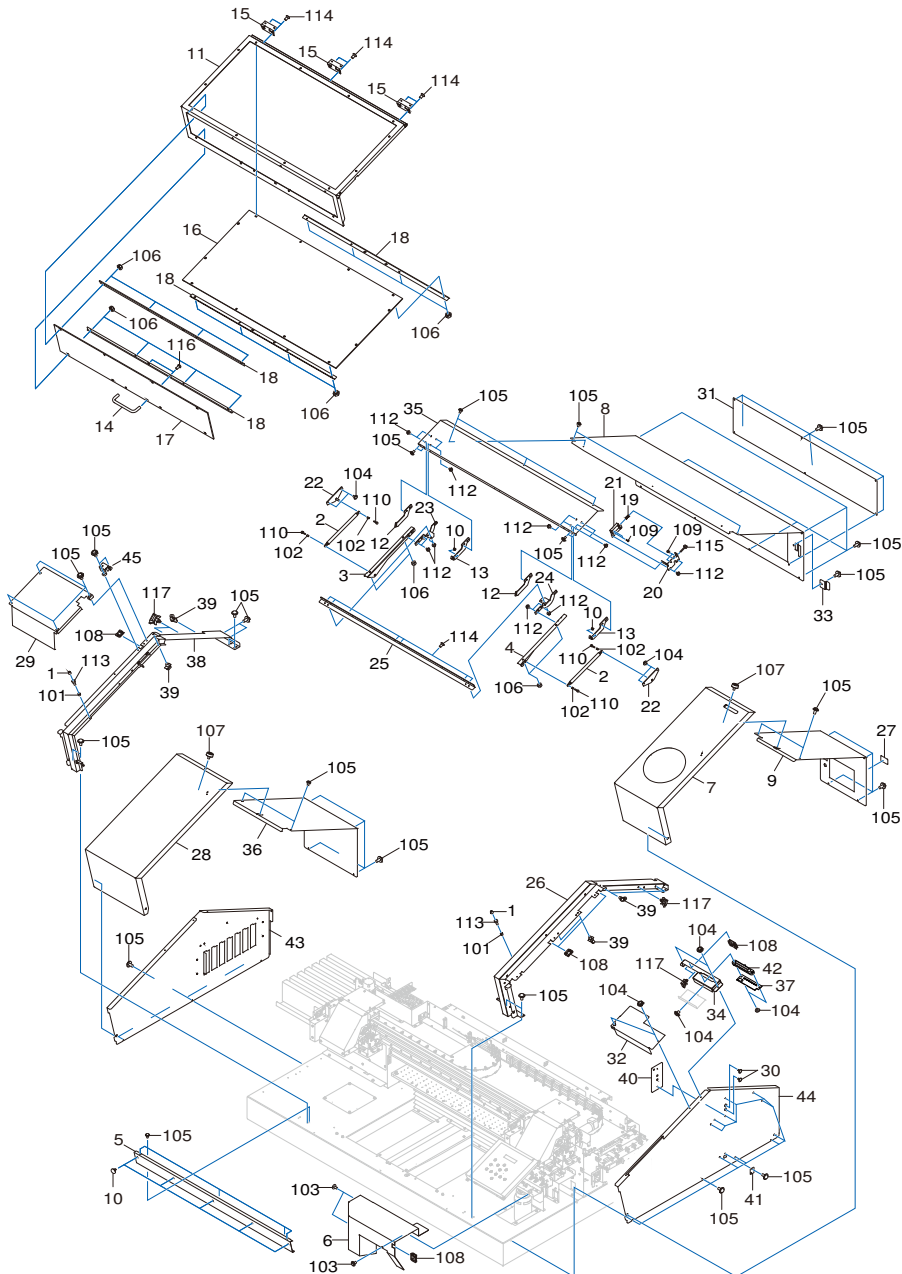
Pos	Code	Description
1	1000002537	ARM, LINK UP VP-540
2	1000004546	ASSY, CAP-TOP 2 XC-540
3	1000008237	BASE, CAP LEF-12
4	1000000796	BUSH, 80F-0503
4	1000018501	BUSH, 80F-0503
5	21365121	CASE, CAP TOP FJ-540
6	1000015301	COVER, CAP-CASE LEJ-640
6	22025671	COVER, CAP CASE FJ-540
7	1000006241	FRAME, BACK-UP CAP 2 VP-540I
8	1000002539	SHAFT, CAP VP-540
9	22175334	SPRING, CAP HEAD FJ-540
10	1000002561	SPRING, CAP SWING VP-540
11	1000003033	STAY, GUIDE CAP-CASE VP-540
12	1000002645	STOPPER, SHAFT CAP VP-540
13	1000014669	STOPPER, CAP STAY LEF-300
14	1000014668	STOPPER, JOINT CAP AL LEF-300
15	1000002580	FRAME, BASE CAP VP-540
16	1000006234	BASE, CAP 2 VP-540I
101	31029901	BUSH, SQUARE SB-4025
102	31029106	BUSH, SQUARE SB-6025
103	31289109AS	CUPSCREW SET, M3*4 NI 100 PCS
104	31109601	NUT SET, SQUARE M3*6*1.6 FE NI 100PCS
105	3000000560	SADDLE, LOCKING WIRE LWS-0711Z_TH
105	31409801AS	SADDLE, LOCKING WIRE LWS-0711Z 20P
106	31019116AS	SCREW SET, BINDING M3*6 3CBC 100 PCS
107	31049169AS	SCREW SET, CAP M4*8 3CBC+PW 20PCS
108	31179106	SCREW, JACK UP SP-540V
109	31149703AS	RING SET, E-RING ETW-4 100 PCS.
110	31049170AS	SCREW SET, CAP M3*8 NI 50 PCS.
111	31289102AS	CUPSCREW SET, M3*6 NI 50 PCS.



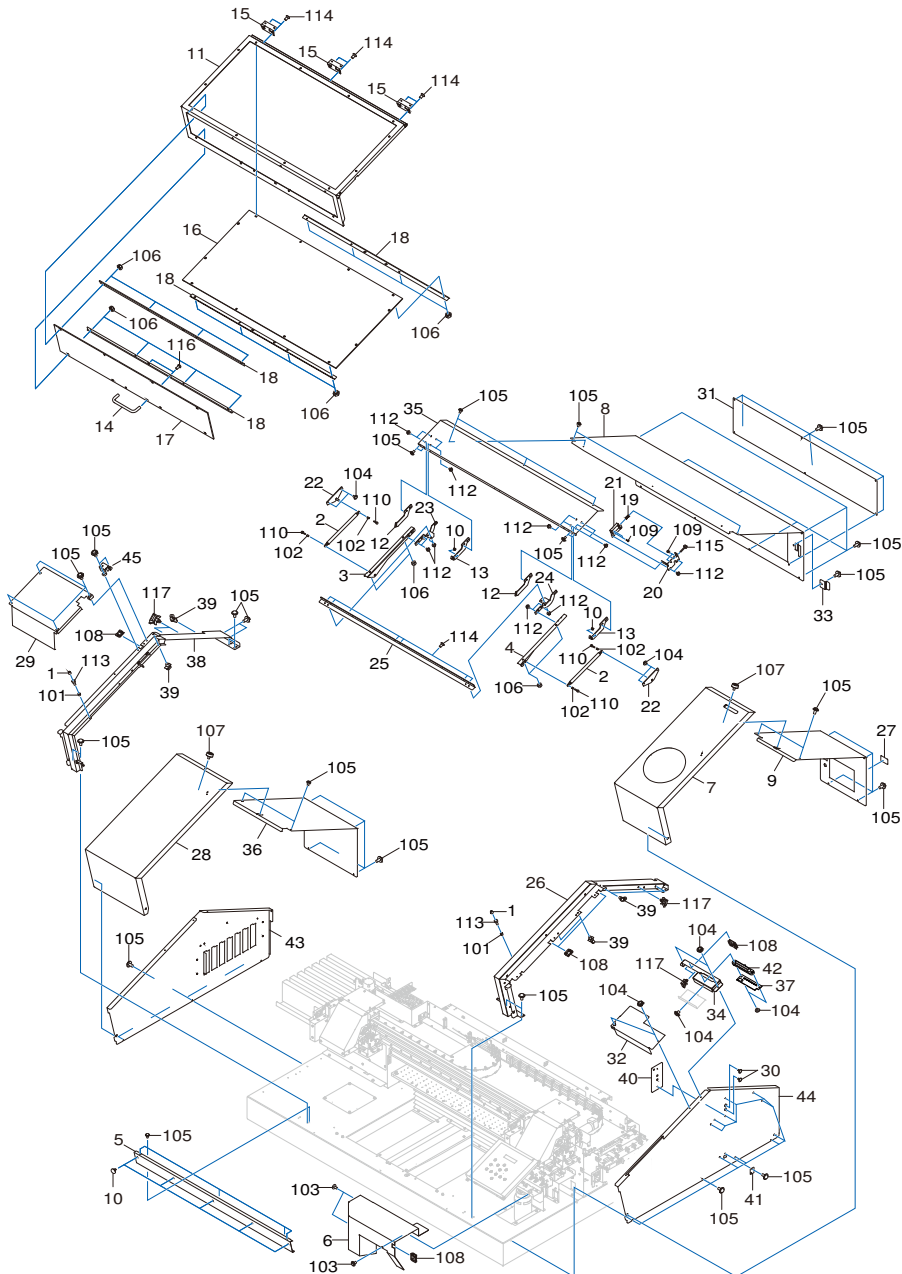
Pos	Code	Description
1	W703565060	ASSY,AC JUNCTION LEF-300
2	W703566010	ASSY,DC JUNCTION LEF-300
3	6000002233	ASSY,MAIN BOARD LEF-300
3	6000004710	ASSY,MAIN BOARD SV LEF2-200
3	6000005184	ASSY,MAIN BOARD SV LEF2-300
4	6702450310	ASSY,SERVO BOARD LEF-20_01
5	W703565010	ASSY,SIGNAL JUNCTION LEF-300
6	1000014677	CHASSIS,STAY MIDDLE LEF-300
7	1000008586	COVER,SERIAL PORT LEF-12
8	1000006174	FAN,9A0624H414
9	1000001141	FILTER(E),TFT-102010N
10	13429702	INLET AC P01CF01 15A250V
11	13129170	POWER SW AJ7201B
12	1000010042	POWER UNIT,ZWS30B-5
13	1000014731	CHASSIS,STAY UPPER LEF-300
14	W703566080	ASSY,EXT IF LEF-300
15	31659105	RUBBER,GROMMET MAKUTUKI MG-15
16	W703565040	ASSY,EXT JUNCTION 2 LEF-300
17	W703566060	ASSY,EXT JUNCTION 1 LEF-300
18	1000014686	STAY,CHASSIS FAN LEF-300
19	22715327	STAY,CHASSIS FAN FJ-540
20	1000010044	POWER UNIT,ZWS240BP-48/R (41)
21	1000014972	POWER UNIT,ZWS30B-24/A
22	W703566070	ASSY,TOWER LIGHT LEF-300
23	1000014689	BRACKET,PATLITE BOARD LEF-300
24	1000015033	CHASSIS,LEF-300
101	31029901	BUSH,SQUARE SB-4025
102	3000000033	CLAMP,WIRE PLESS RFC-45VO
103	31289105AS	CUPSCREW SET, M3*6 3CBC 100 PCS
104	31289111AS	CUPSCREW SET, M4*6 NI 100 PCS.
105	31289109AS	CUPSCREW SET,M3*4 NI 100 PCS
106	31409702	SADDLE SET,LOCKING WIRE LES-1010 20P
107	31409811AS	SADDLE SET,LOCKING WIRE LWS-1211Z 20P
108	31019124	SCREW SET,BINDING M3*35 NI 50 PCS
109	31019161	SCREW SET,BINDING M4*8 NI ETW 20PCS
110	31329501AS	CLAMP SET,PUSH MOUNT RT30SSF5 20P

Pos	Code	Description
1	6701219010	ASSY,CIRCULATING PUMP LEC-330
2	1000012988	GEAR,S10B20
2	21685122	GEAR,S10S20
3	1000018516	MOTOR,103-593-1041
3	22435106	MOTOR,103-593-1041
4	1000001585	PLATE,P-MOTOR XC-540
4	1000020054	PLATE,P-MOTOR XC-540TH
101	31289109AS	CUPSCREW SET,M3*4 NI 100 PCS
102	31199701AS	SCREW SET,SET WP M3*3 NI 20 PCS

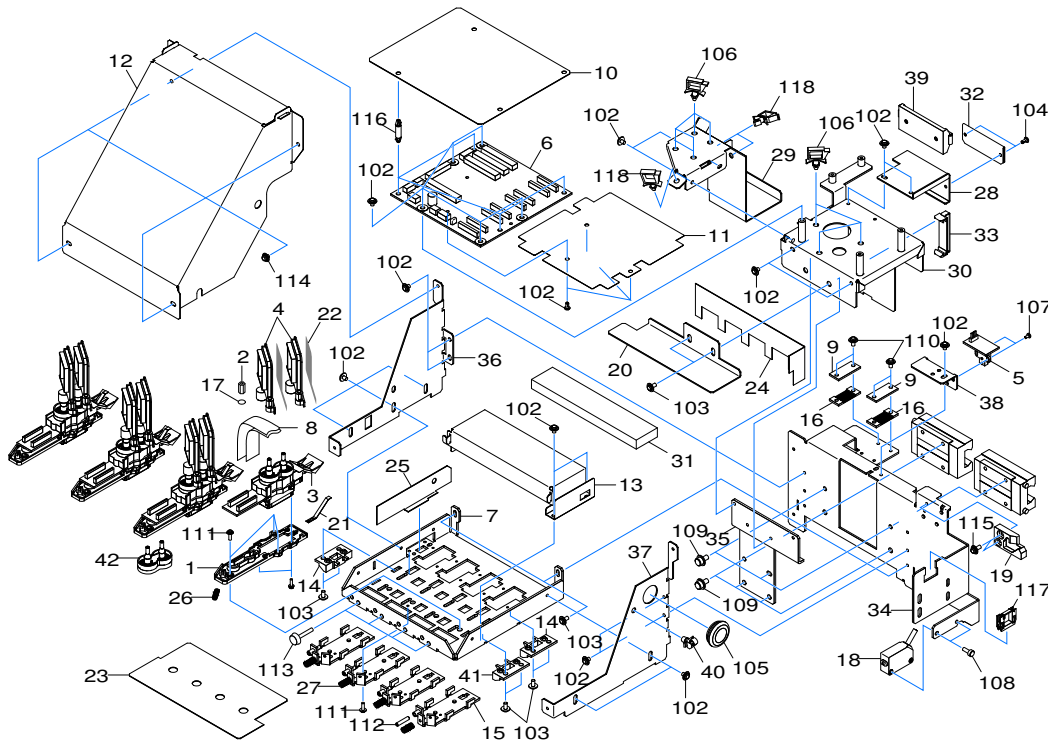




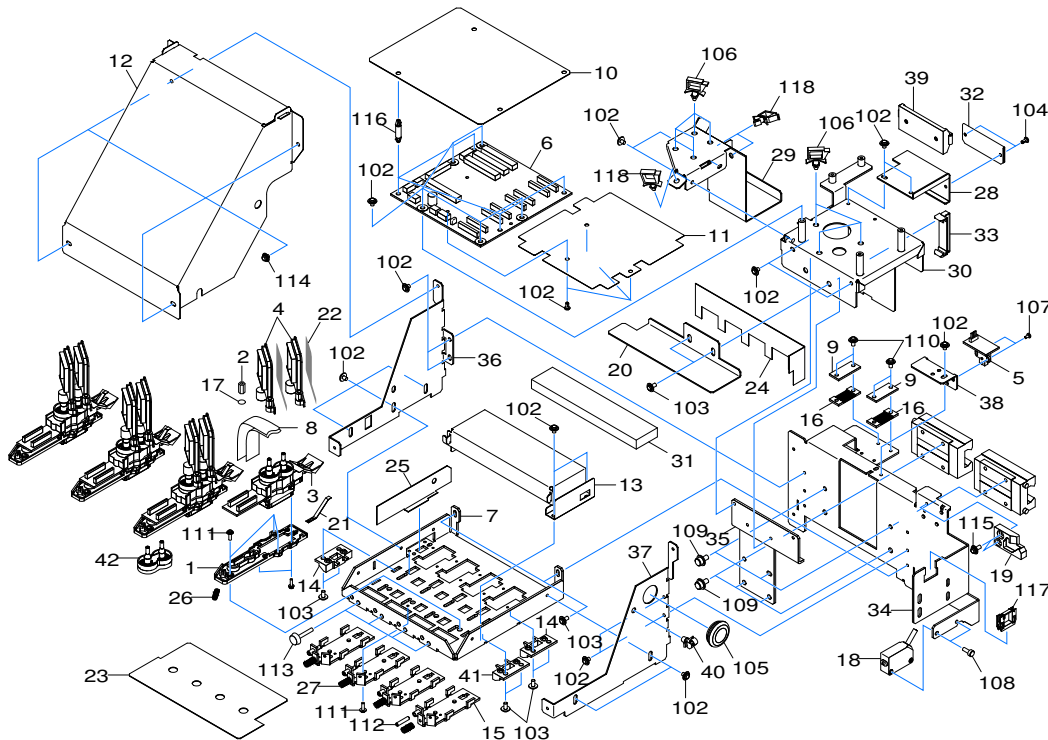
Pos	Code	Description
1	11879107	ABSORBER TK-12
2	6700959080	ASSY,SPRING GAS EGX-360_01
3	1000011758	BRACKET,B L GAS SPRING LEF-20
4	1000011759	BRACKET,B R GAS SPRING LEF-20
5	1000011733	COVER,FRONT UNDER LEF-20
6	1000014730	COVER,I/S LEF-300
6	1000019449	COVER,I/S 2 LEF-300
7	1000014662	COVER,PANEL LEF-300
8	1000014715	COVER,RAIL B LEF-300
9	1000014898	COVER,TOP R LEF-300
10	12239406	CUSHION,TM-96-6
11	1000011734	FRAME,FRONT COVER LEF-20
11	1000020989	FRAME,FRONT COVER2 LEF-20
12	1000011783	FRAME,STOPPER L LEF-20
13	1000011782	FRAME,STOPPER R LEF-20
14	1000008299	HANDLE,UNFA-125-BK
15	1000002384	HINGE,TH-TM-114
16	1000011735	PLATE,COVER F LEF-20
17	1000011736	PLATE,COVER UNDER LEF-20
18	1000014700	PLATE,NUT COVER F LEF-300
19	1000012951	SPRING,HEAD ADJUST 500 FJ-540
19	22175519	SPRING,HEAD PRESS 500 FJ-540
19	22175520	SPRING,HEAD ADJUST 500 FJ-540
20	1000014706	STAY,ADJUST SW LEF-300
21	1000008273	STAY,COVER SW LEF-12
22	1000011755	STAY,GAS SPRING LEF-20
23	1000014722	STOPPER,COVER FRONT L LEF-300
24	1000014721	STOPPER,COVER FRONT R LEF-300
25	1000014701	SUPPORT,COVER FRONT LEF-300
26	1000014725	SUPPORT,FRAME R LEF-300
27	1000013213	LABEL, INDONESIA JPN MULTI#LA2067
28	1000014663	COVER,L LEF-300
29	1000014684	PLATE,SAFETY GUARD L LEF-300
30	1000015031	CAP,BLINDFOLD 4 HOLE LEF-300
31	1000014713	COVER,REAR PLATE LEF-300
32	1000014743	PLATE,SAFETY GUARD R LEF-300
33	1000015028	COVER,D_SUB9 LEF-300
34	1000014710	STAY,INDICATOR LED LEF-300
35	1000014711	COVER,RAIL LEF-300
36	1000014741	COVER,RAIL BACK L LEF-300



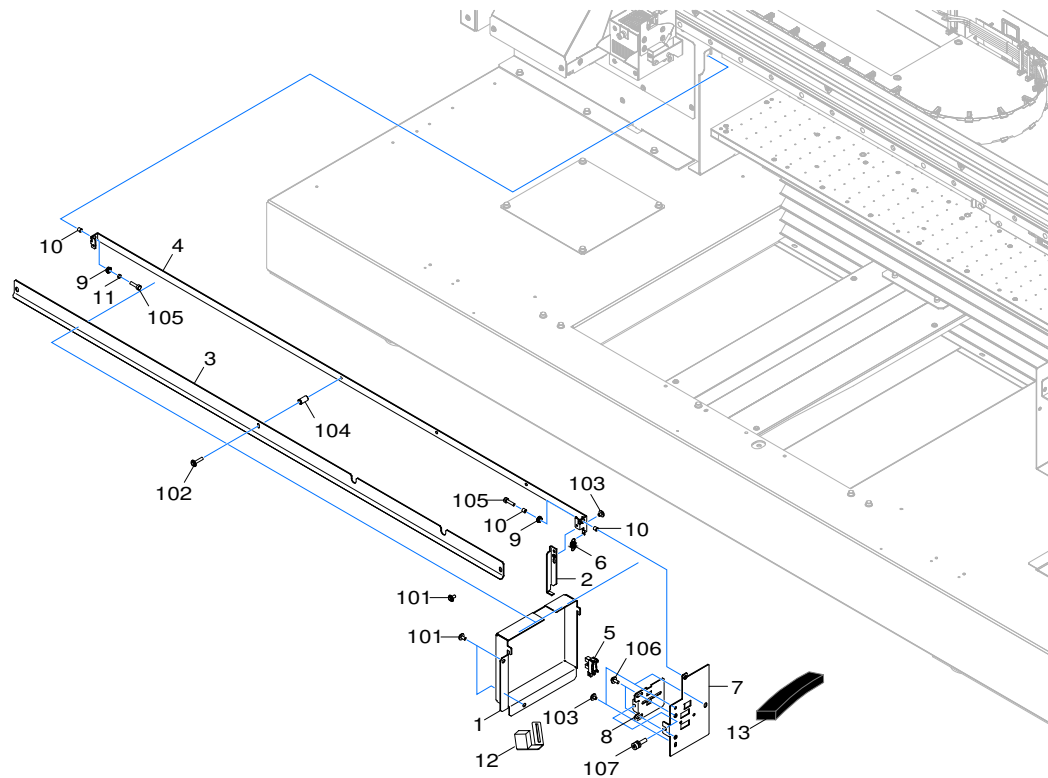
Pos	Code	Description
37	W703566030	ASSY,LED LAMP LEF-300
38	1000014712	SUPPORT,FRAME L LEF-300
39	31329501AS	CLAMP SET,PUSH MOUNT RT30SSF5 20P
40	1000014688	PLATE,PATLITE BASE LEF-300
41	1000014690	COVER,EXT JUNCTION LEF-300
43	1000014660	COVER,SIDE L LEF-300
44	1000014900	COVER,SIDE R LEF-300
45	1000020694	STAY,COVER L SW2 LEF-300
101	31029802AS	BUSH SET,ROLL 3*3.5 3C 100PCS.
102	31029804AS	BUSH SET,ROLL 3*5.5 3C 100PCS.
103	31289105AS	CUPSCREW SET, M3*6 3CBC 100 PCS
104	31289109AS	CUPSCREW SET,M3*4 NI 100 PCS
105	31289102AS	CUPSCREW SET,M3*6 NI 50 PCS.
106	31109802	NUT SET,HEXAGON M4 NI 100PCS
107	31139103	PLAPOINT,FE4*6 WH
108	31409702	SADDLE SET,LOCKING WIRE LES-1010 20P
109	31019149	SCREW SET,BINDING M2.3*8 3CBC 100PCS
110	31049155AS	SCREW SET,CAP M3*12 BC+PW 20 PCS.
112	31049154AS	SCREW SET,CAP M3*6 NI+PW 20 PCS
113	31049170AS	SCREW SET,CAP M3*8 NI 50 PCS.
114	31169103AS	SCREW SET,FLAT M3*6 3CBC 100 PCS
115	31179908AS	SCREW SET,UREA M3*20 N-1 WH 50PCS
116	3000000025	SCREW,PAN 5*10 3C 50PCS
117	3000000560	SADDLE,LOCKING WIRE LWS-0711Z_TH
117	31409801AS	SADDLE,LOCKING WIRE LWS-0711Z 20P



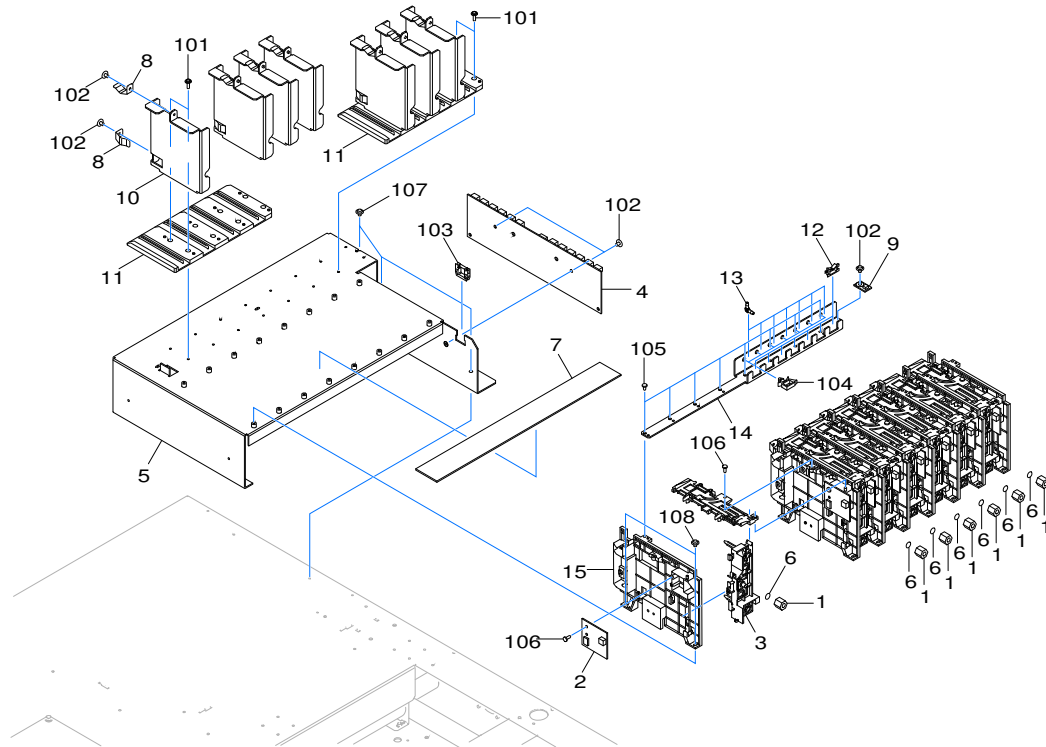
Pos	Code	Description
1	21905166	ADAPTER,HEAD FJ-540
2	11909167	ADAPTER,SCREW 3FAI FJ-540
3	1000002201	ASSY,HEAD INKJET SOL XC-540
3	6000005180	ASSY,HEAD,INKJET SV LEF2-300
3	6000005213	ASSY,HEAD INKJET SOL XC-540 SV2
4	6085393800	ASSY,INK DAMPER L 3FAI 4 SJ-1000
5	6703524040	ASSY,LINEAR ENCODER BOARD EJ-640
6	W703565070	ASSY,PRINT CARRIAGE LEF-300
7	1000014671	BASE,CARRIAGE AL LEF-300
8	23475232	CARD CABLE,21P1 385L BB HIGH-V
9	1000020055	COVER,BELT HOLDER EGX-600TH
9	22025646	COVER,BELT HOLDER EGX-600
10	1000014734	COVER,CARRIAGE BOARD LEF-300
11	1000014692	COVER,CARRIAGE BOARD UNDER LEF-300
12	1000014667	COVER,CARRIAGE LEF-300
13	1000002588	COVER,HEAD BOARD VP-540
14	1000003076	GUIDE,CARRIAGE CAP VP-540
15	22135440	GUIDE,HEAD AL FJ-540
16	1000015114	HOLDER,BELT EGX-600_01
16	21655232	HOLDER,BELT EGX-600
17	11659249	HOLDER,RING O 3FAI FJ-540
18	1000008298	LASER,E3Z-LT61-L
19	21345105	LOCK,CJ-500
20	1000008590	PLATE,DAMPER LEF-12
20	1000020000	PLATE,DAMPER LEF-12I
21	22055547	PLATE,GND FJ-540
22	1000006315	SHIELD,DAMPER LEC-330
23	1000014646	SHIELD,HEAD LEF-300
24	1000014645	SHIELD,HEAD REAR LEF-300
25	1000008301	SHIELD,HEAD SIDE LEF-12
26	1000012951	SPRING,HEAD ADJUST 500 FJ-540
26	22175520	SPRING,HEAD ADJUST 500 FJ-540
27	22175519	SPRING,HEAD PRESS 500 FJ-540
28	1000011777	STAY,CARRIAGE FLEX LEF-20
29	1000014666	STAY,CARRIAGE TUBE LEF-300
30	1000014728	STAY,HOLDER CARRIAGE LEF-300
31	1000002643	SUPPORT,DAMPER VP-540
31	1000020001	SUPPORT,DAMPER LEF-12I
32	1000008687	SUPPORT,HOLDER CABLE LEF-12
33	1000006514	GUIDE,TUBE 10 VS-640



Pos	Code	Description
34	1000014727	BASE,PLATE CARRIAGE LEF-300
34	1000018419	BASE,PLATE CARRIAGE2 LEF-300
35	1000014726	SUPPORT,CARRIAGE BOARD LEF-300
35	1000018418	SUPPORT,CARRIAGE BOARD2 LEF-300
36	1000014672	BASE,PLATE CARRIAGE L LEF-300
37	1000014673	BASE,PLATE CARRIAGE R LEF-300
38	1000014901	PLATE,ENC SENS LEF-300
39	11769118	CLAMP,FCM2-S6-14
40	31329501AS	CLAMP SET,PUSH MOUNT RT30SSF5 20P
41	1000018225	GUIDE,CARRIAGE CAP LEF-300
42	6701580440	ASSY,ADAPTER DAMPER LEJ-640
102	31289109AS	CUPSCREW SET,M3*4 NI 100 PCS
103	31289102AS	CUPSCREW SET,M3*6 NI 50 PCS.
104	31299102AS	RIVET SET,NYLON P2655B 20 PCS.
105	31659102	RUBBER,GROMMET MAKUTUKI MG-2
106	3000000560	SADDLE,LOCKING WIRE LWS-0711Z_TH
106	31409801AS	SADDLE,LOCKING WIRE LWS-0711Z 20P
107	31019169	SCREW SET,BINDING M2*4 NI 100 PCS.
108	31049170AS	SCREW SET,CAP M3*8 NI 50 PCS.
109	31049169AS	SCREW SET,CAP M4*8 3CBC+PW 20PCS
110	31089117	SCREW SET,PAN 3*6 NI+PW 100 PCS.
111	31089121AS	SCREW SET,PAN M2.3*8 NI+PW 100PCS
112	31199905AS	SCRW SET,SET CONE M3*16 NI 20 PCS
113	31179908AS	SCREW SET,UREA M3*20 N-1 WH 50PCS
114	31239119	SCREW SET,W-SEMS M3*4 NI 50 PCS
115	31239125AS	SCREW SET,W-SEMS M3*8 SUS 50 PCS.
116	31209118	SPACER SET,WPCS-12S-4.0 20PCS
117	31409702	SADDLE SET,LOCKING WIRE LES-1010 20P
118	31409811AS	SADDLE SET,LOCKING WIRE LWS-1211Z 20P

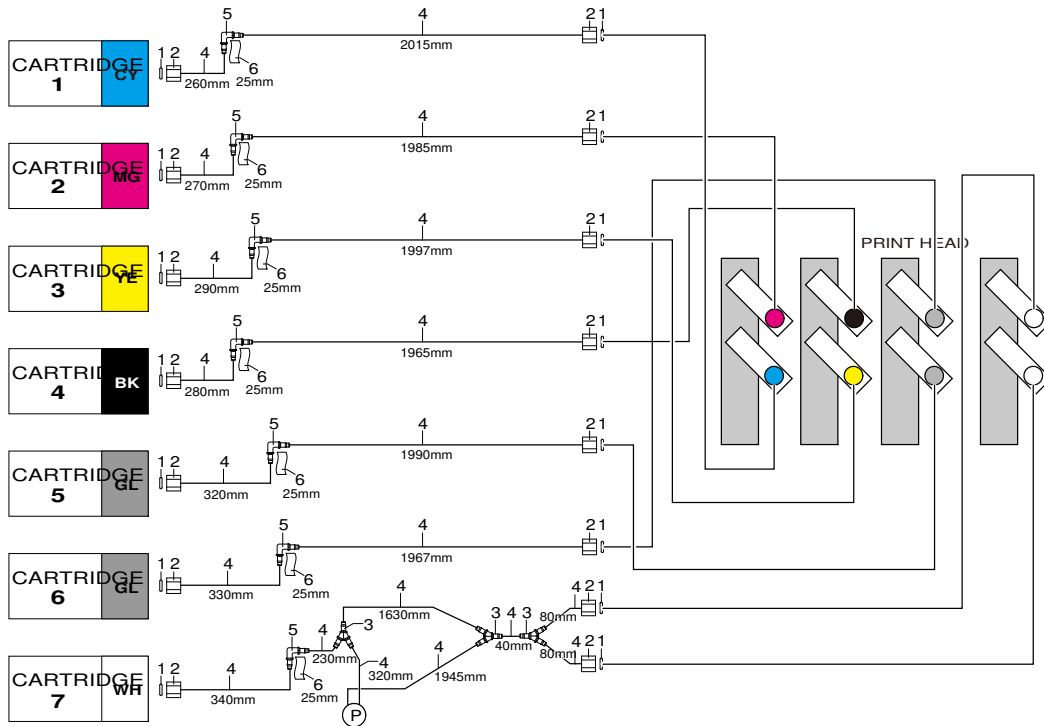


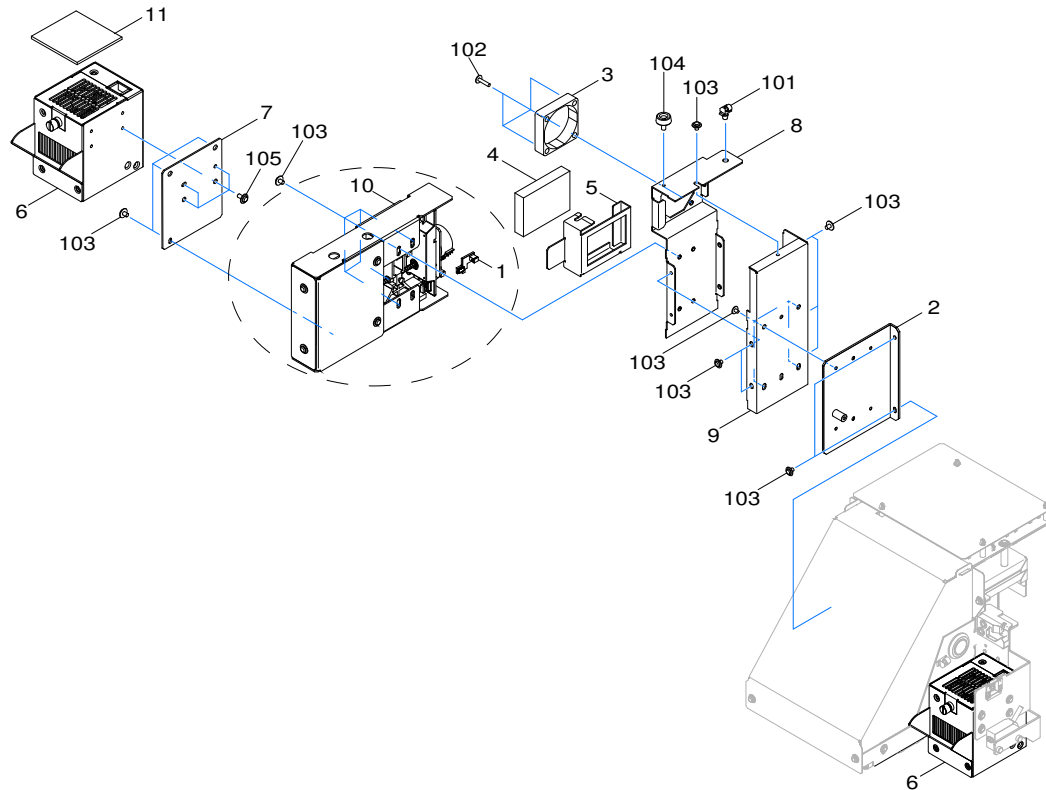
Pos	Code	Description
1	1000014683	COVER,Z SENSOR LEF-300
2	1000008280	PLATE,SHUTTER Z SENSOR LEF-12
2	1000018291	PLATE,SHUTTER Z SENSOR LEF-300
3	1000014664	PLATE,Z LEVEL LEF-300
4	1000014665	PLATE,Z LEVEL STAY LEF-300
5	1000011065	SENSOR-INTERRUPTER,GP1A173LCS2F
6	1000008307	SPRING,BACK UP Z SENSOR LEF-12
7	1000015766	STAY,ADJUST SENSOR R LEF-300
7	1000018293	STAY,ADJUST SENSOR R2 LEF-300
8	1000008277	STAY,Z SENSOR LEF-12
9	1000014708	R-BEARING,630ZZ(FL)
10	1000015254	BUSH,D3S4 LEF-300
11	1000015253	BUSH,D3S2 LEF-300
12	1000018290	STAY,DAMPER Z SENS LEF-300
13	3000000514	CUSHION,NO686 15MM20MM2000MM
101	31289105AS	CUPSCREW SET, M3*6 3CBC 100 PCS
102	31289116AS	CUPSCREW SET,M3*14 NI 100 PCS.
103	31289109AS	CUPSCREW SET,M3*4 NI 100 PCS
104	3000000258	PIPE SET,POLYCA 3*6*11 20PCS
105	31049171AS	SCREW SET,CAP M3*12 NI 50 PCS.
106	31239125AS	SCREW SET,W-SEMS M3*8 SUS 50 PCS.
107	31179106	SCREW,JACK UP SP-540V



Pos	Code	Description
1	11909167	ADAPTER,SCREW 3FAI FJ-540
2	6701681300	ASSY,CARTRIDGE IC BOARD
3	6702710230	ASSY,HOLDER I/C RF-640
4	6000002012	ASSY,INK TANK LEF-300
5	1000015030	BASE,INK CARTRIDGE LEF-300
6	11659249	HOLDER,RING O 3FAI FJ-540
7	1000008289	SHEET,INKCARTRIDGE LEF-12
8	22625103	SPRING,PRESS CARTRIDGE SP-300
9	W703566040	ASSY,THERMISTOR LEF-300
10	1000008565	PLATE,HOLDER I/C2 VS-640
10	1000015187	PLATE,HOLDER I/C2 VS-640
11	1000008566	PLATE,IC VS-640
12	31409902	SADDLE,EDGE EDS-3
13	1000007124	ADAPTER,JOINT VPL306
13	1000017901	ADAPTER,JOINT 3L CG2023
14	1000014695	PLATE,CARTRIDGE JOINT LEF-300
15	1000010195	BASE,I/C XF-640
101	31289112AS	CUPSCREW SET,M3*10 NI 100 PCS.
102	31289109AS	CUPSCREW SET,M3*4 NI 100 PCS
103	31409702	SADDLE SET,LOCKING WIRE LES-1010 20P
104	3000000560	SADDLE,LOCKING WIRE LWS-0711Z_TH
104	31409801AS	SADDLE,LOCKING WIRE LWS-0711Z 20P
105	31019702AS	SCREW SET,BIND P-TIGHT M3*6 3C 100P
106	31019703	SCREW,BINDING P-TIGHT M3*8 3C 100P
107	31289102AS	CUPSCREW SET,M3*6 NI 50 PCS.
108	31089117	SCREW SET,PAN 3*6 NI+PW 100 PCS.

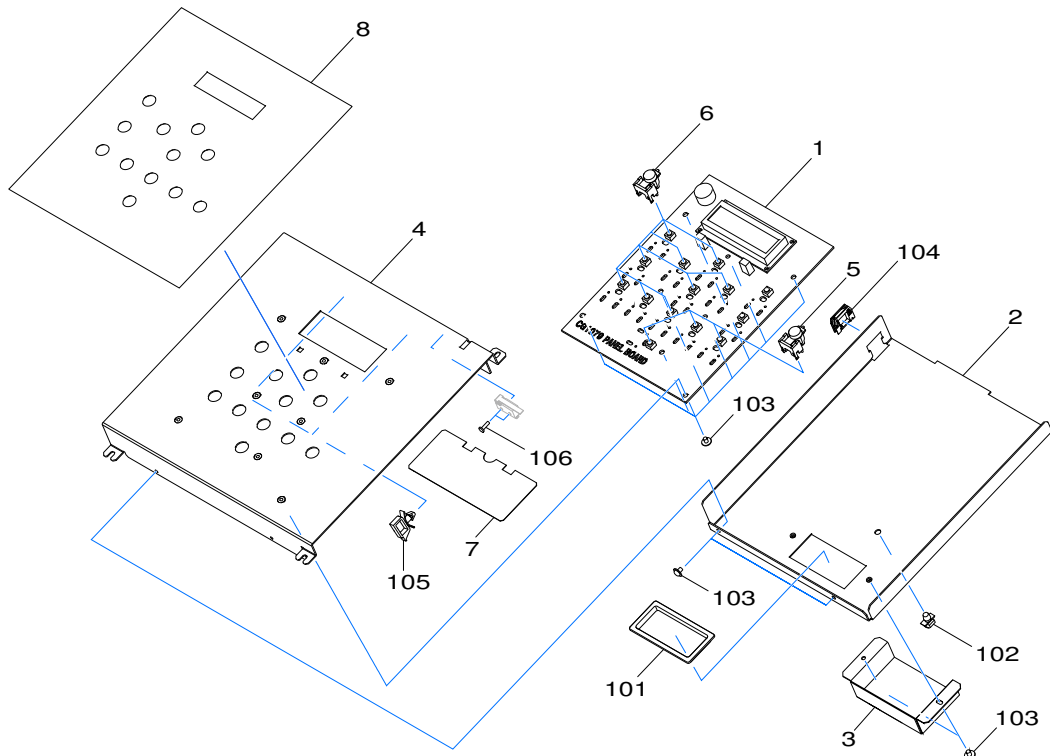
Pos	Code	Description
1	11659249	HOLDER,RING O 3FAI FJ-540
2	11909167	ADAPTER,SCREW 3FAI FJ-540
3	1000006316	ADAPTER,JUNCTION VZY430 BK
4	3000000245	TUBE,INK K-BK 3FAI
5	1000007124	ADAPTER,JOINT VPL306
5	1000017901	ADAPTER,JOINT 3L CG2023
6	3000000129	TAPE,AL 3M #425 19*55M

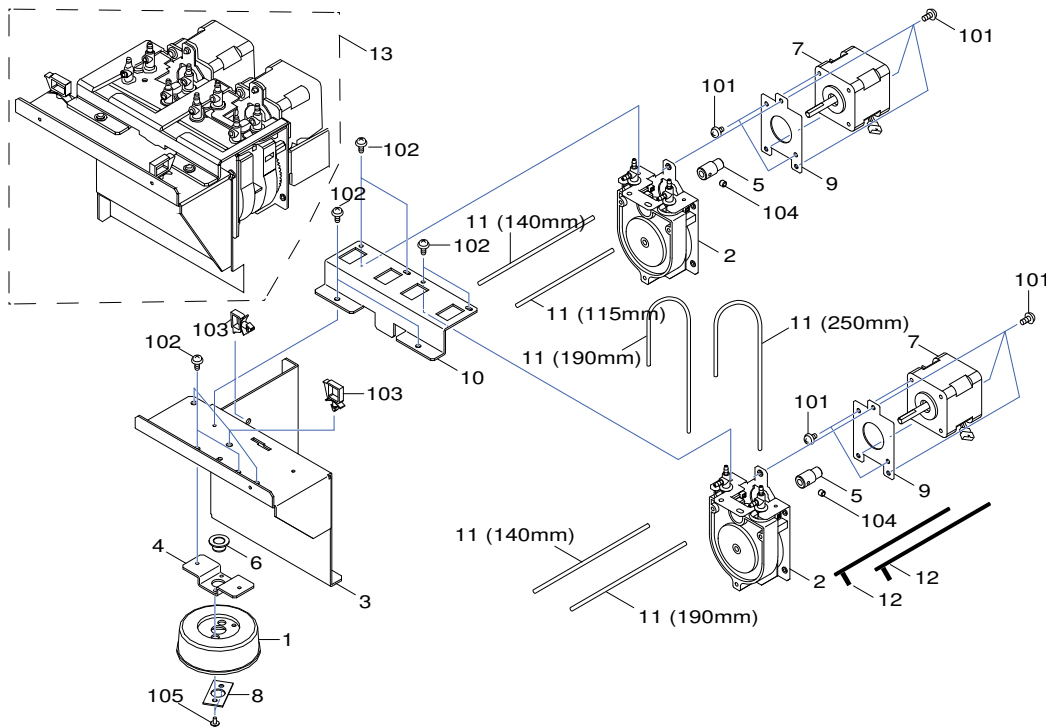




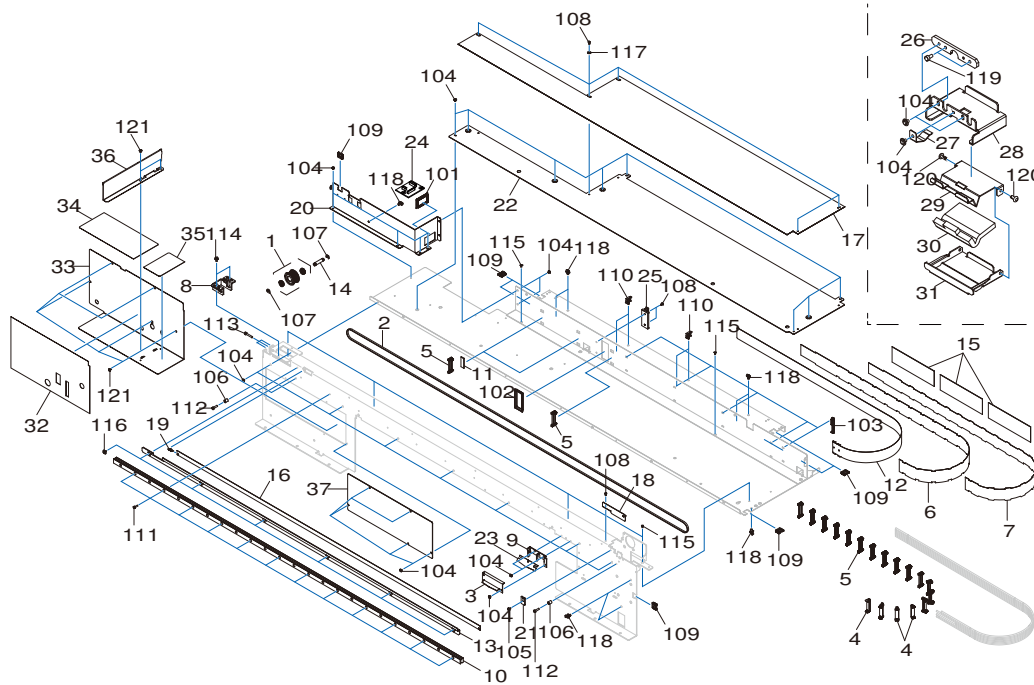
Pos	Code	Description
1	W703566050	ASSY,LIMIT LEF-300
2	1000015096	BASE,MIST CATCH LEF-300
3	1000008025	FAN,109P0405M911
4	1000011770	FILTER(M),MIST CARRIAGE LEF-20
5	1000011764	HOLDER,SHEET MIST LEF-20
6	1000011713	LAMP,LED UV L12587
7	1000011771	PLATE,LAMP LEF-20
8	1000011754	STAY,LAMP SLIDE LEF-20
9	1000011761	STAY,MIST LEF-20
10	6702459000	UNIT, SLIDER LAMP LEF-20
11	1000012014	FILTER,LED LAMP LEF-20 5 PCS.
101	31329501AS	CLAMP SET,PUSH MOUNT RT30SSF5 20P
102	31289116AS	CUPSCREW SET,M3*14 NI 100 PCS.
103	31289109AS	CUPSCREW SET,M3*4 NI 100 PCS
104	31139101	SCREW,PLAPOINT M3*6 BK FE
105	31289102AS	CUPSCREW SET,M3*6 NI 50 PCS.

Pos	Code	Description
1	W703566020	ASSY,PANEL LEF-300
2	1000014963	COVER,CHASSIS EJ-640
3	1000008688	COVER,PANEL CABLE LEF-12
4	1000014714	COVER,RAIL EJ-640
5	1000012564	KEY, TOP CLEAR GS-24
5	22495102	KEY TOP,CLEAR GX-24
6	1000012563	KEY, TOP WHITE GS-24
6	22495101	KEY TOP,WHITE GX-24
7	1000003029	SHEET,LCD VP-540
8	1000014705	SHEET,PANEL LEF-300
101	31029106	BUSH,SQUARE SB-6025
102	31329501AS	CLAMP SET,PUSH MOUNT RT30SSF5 20P
103	31289109AS	CUPSCREW SET,M3*4 NI 100 PCS
104	31409702	SADDLE SET,LOCKING WIRE LES-1010 20P
105	3000000560	SADDLE,LOCKING WIRE LWS-0711Z_TH
105	31409801AS	SADDLE,LOCKING WIRE LWS-0711Z 20P
106	31019149	SCREW SET,BINDING M2.3*8 3CBC 100PCS

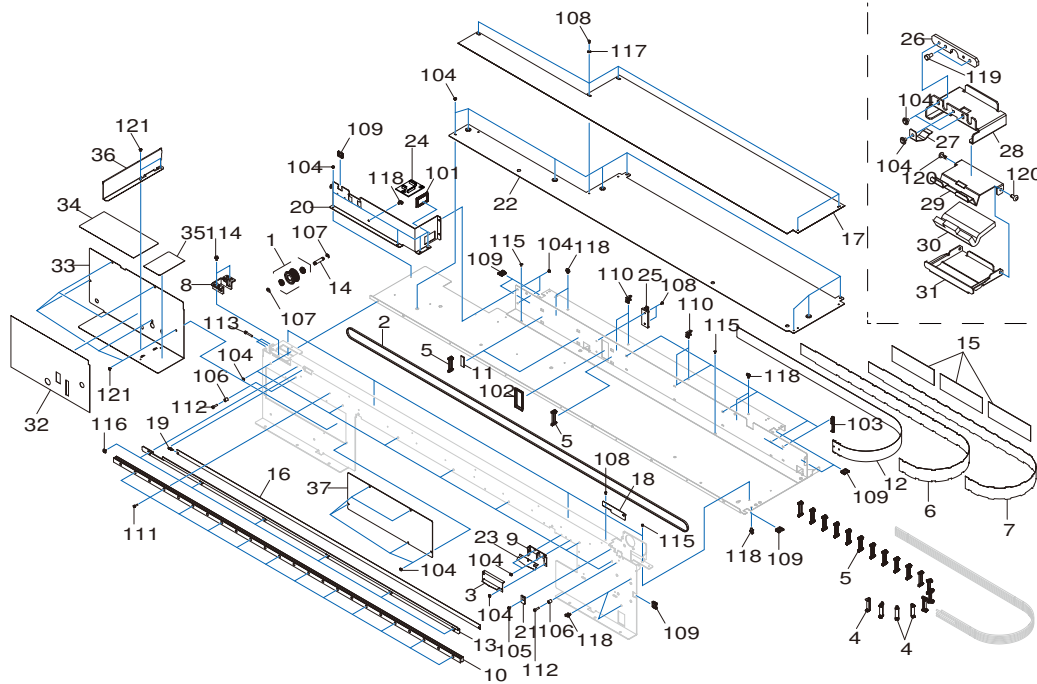




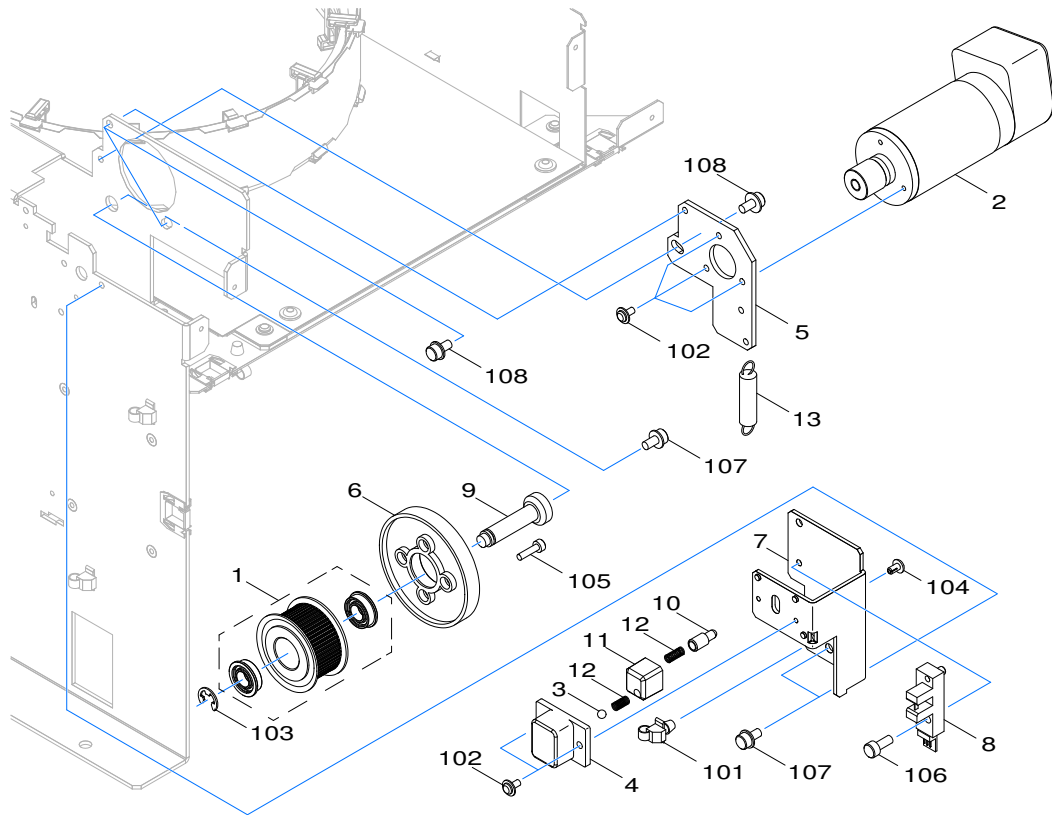
Pos	Code	Description
1	7520501000	ASSY,CAP BOTTLE 2 FJ-52
2	6700319010	ASSY,PUMP SUB XC-540
3	1000008240	BASE,PUMP LEF-12
4	1000008239	BRACKET,INK CATCH TANK LEF-12
5	1000012988	GEAR,S10B20
5	21685122	GEAR,S10S20
6	22155763	OILES BUSH 80F-0806
7	1000018516	MOTOR,103-593-1041
7	22435106	MOTOR,103-593-1041
8	22055474	PLATE,INK CATCH TANK FJ-52
9	1000001585	PLATE,P-MOTOR XC-540
9	1000020054	PLATE,P-MOTOR XC-540TH
10	1000008238	STAY,PUMP LEF-12
11	1000002119	TUBE,EPDM ID2-OD4 310MM
11	6000004089	TUBE,EPDM ID2-OD4 310MM_02
12	6000004178	ASSY,DRAIN TUBE L SV LEF-300
13	6000004226	ASSY,PUMP W SV LEF-300
101	31289109AS	CUPSCREW SET,M3*4 NI 100 PCS
102	31289102AS	CUPSCREW SET,M3*6 NI 50 PCS.
103	3000000560	SADDLE,LOCKING WIRE LWS-0711Z_TH
103	31409801AS	SADDLE,LOCKING WIRE LWS-0711Z 20P
104	31199701AS	SCREW SET,SET WP M3*3 NI 20 PCS
105	31239125AS	SCREW SET,W-SEMS M3*8 SUS 50 PCS.



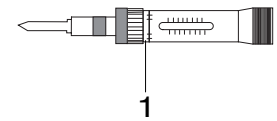
Pos	Code	Description
1	6700469030	ASSY,PULLEY VP-540
2	1000014723	BELT,50S2M1435LW-C
3	1000002573	COVER,SCRAPER VP-540
4	1000006514	GUIDE,TUBE 10 VS-640
5	1000010114	GUIDE,TUBE XF-640
6	1000014719	HOLDER,CABLE F LEF-300
7	1000014718	HOLDER,CABLE LEF-300
8	1000001555	HOLDER,IDLE PULLEY XC-540
9	1000002571	HOLDER,SCRAPER VP-540
10	1000014670	L-BEARING,SSR15XW2GE+1440L
11	1000003151	PAD,GUIDE TUBE VP-540
12	1000014720	PLATE,HOLDER CABLE LEF-300
13	1000014643	RAIL,LINEAR SCALE LEF-300
14	1000001479	SHAFT,IDLE PULLEY XC-540
15	1000003089	SHEET,FRAME SUPPORT RAIL VP-540
16	1000014724	SHEET,LINEAR SCALE LEF-300
17	1000014659	SHEET,TUBE GUIDE LEF-300
18	1000008584	SHEILD,SCAN MOTOR LEF-12
19	1000014696	SPRING,BACKUP LEF-300
20	1000014658	STAY,CIRCULATION PUMP LEF-300
21	22135441	STOPPER,LINEAR SCALE FJ-540
22	1000014647	SUPPORT,GUIDE TUBE LEF-300
23	1000001658	WIPER,SCRAPER XC-540
24	W703565020	ASSY,TABLE JUNCTION 1 LEF-300
25	11769118	CLAMP,FCM2-S6-14
26	1000020088	PLATE,ADJUST CLEANER CG2113
27	22625103	SPRING,PRESS CARTRIDGE SP-300
28	1000020964	BASE,WIPER CLEANER CG2129
29	1000020963	COVER,WIPER CLEANER CG2129
30	1000019978	CLEANER,WIPER CG2113
31	1000020962	HOLDER,WIPER CLEANER CG2129
32	1000021368	SHEET,MAINTE HATCH CG2129
33	1000020957	PLATE,IC MAINTENANCE HATCH CG2129
34	1000021370	SHEET,MAINTE HATCH UNDER L CG2129
35	1000021369	SHEET,MAINTE HATCH UNDER R CG2129
36	1000020966	PLATE,SCREEN LIGHT L CG2129
37	1000014704	PLATE,IC MAINTENANCE HATCH LEF-300
101	31029901	BUSH,SQUARE SB-4025
102	31029106	BUSH,SQUARE SB-6025
103	3000000033	CLAMP,WIRE PLESS RFC-45VO



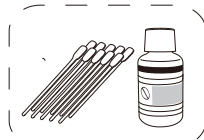
Pos	Code	Description
104	31289109AS	CUPSCREW SET,M3*4 NI 100 PCS
105	31289102AS	CUPSCREW SET,M3*6 NI 50 PCS.
106	31129102	PIPE SET,POLYCA 4*8*10 20PCS
107	31149704AS	RING SET,E-RING ETW-6 SUS 100 PCS
108	31159902AS	RIVET SET,NYLON P3055W 20 PCS.
109	31409702	SADDLE SET,LOCKING WIRE LES-1010 20P
110	3000000560	SADDLE,LOCKING WIRE LWS-0711Z_TH
110	31409801AS	SADDLE,LOCKING WIRE LWS-0711Z 20P
111	31049155AS	SCREW SET,CAP M3*12 BC+PW 20 PCS.
112	31049174AS	SCREW SET,CAP M4*15 NI 20 PCS.
113	3000000423	CAP-SCREW,4*25 3CBC 100PCS
113	31049137AS	SCREW SET,CAP M4*25 3CBC 20 PCS
114	31049169AS	SCREW SET,CAP M4*8 3CBC+PW 20PCS
115	31169103AS	SCREW SET,FLAT M3*6 3CBC 100 PCS
116	31239103AS	SCREW SET,W-SEMS M3*8 NI+PW 50 PCS
117	3000000259	WASHER SET,POM CC-0310-10 20PCS
118	31329501AS	CLAMP SET,PUSH MOUNT RT30SSF5 20P
119	31049105AS	SCREW SET,CAP M3*6 3CBC 20 PCS
120	31159904	RIVET SET,NYLON P3065B 20 PCS.
121	31289105AS	CUPSCREW SET, M3*6 3CBC 100 PCS



Pos	Code	Description
1	6700469030	ASSY,PULLEY VP-540
2	6000002593	ASSY,SCAN MOTOR LEF-12_01
2	6701409030	ASSY,SCAN MOTOR LEF-12
3	11869103	BALL,4MM
4	1000016171	CASE,LOCK CJ-70_02
4	21365103	CASE,LOCK CJ-70
5	1000008258	FLANGE,MOTOR SCAN LEF-12
6	1000001905	GEAR,H187S20(B8)
7	1000014899	STAY,LOCK HOLDER LEF-300
8	1000006689	SENSOR-INTERRUPTER,EE-SX4009-P1
9	1000001480	SHAFT,DRIVE PULLEY XC-540
10	1000012944	SHAFT,LOCK CJ-70
10	22295117	SHAFT,LOCK CJ-70
11	1000016170	SLIDER,LOCK CJ-70_02
11	22185101	SLIDER,LOCK CJ-70
12	22175134	SPRING,A CJ-70
13	22175157	SPRING,C P-ROLLER CM-500
101	31329501AS	CLAMP SET,PUSH MOUNT RT30SSF5 20P
102	31289102AS	CUPSCREW SET,M3*6 NI 50 PCS.
103	31149704AS	RING SET,E-RING ETW-6 SUS 100 PCS
104	31159902AS	RIVET SET,NYLON P3055W 20 PCS.
105	31049171AS	SCREW SET,CAP M3*12 NI 50 PCS.
106	31049173AS	SCREW SET,CAP M4*10 NI 50 PCS.
107	31049169AS	SCREW SET,CAP M4*8 3CBC+PW 20PCS
108	3000000172	SCREW SET,CAP M4*8 NI WSH4*9*0.8 20P



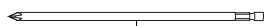
1



6



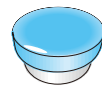
10



2



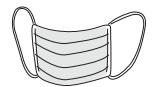
7



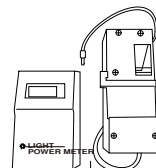
11



3



8

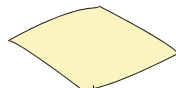


12

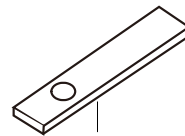


4

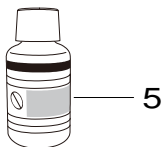
x50pcs



9

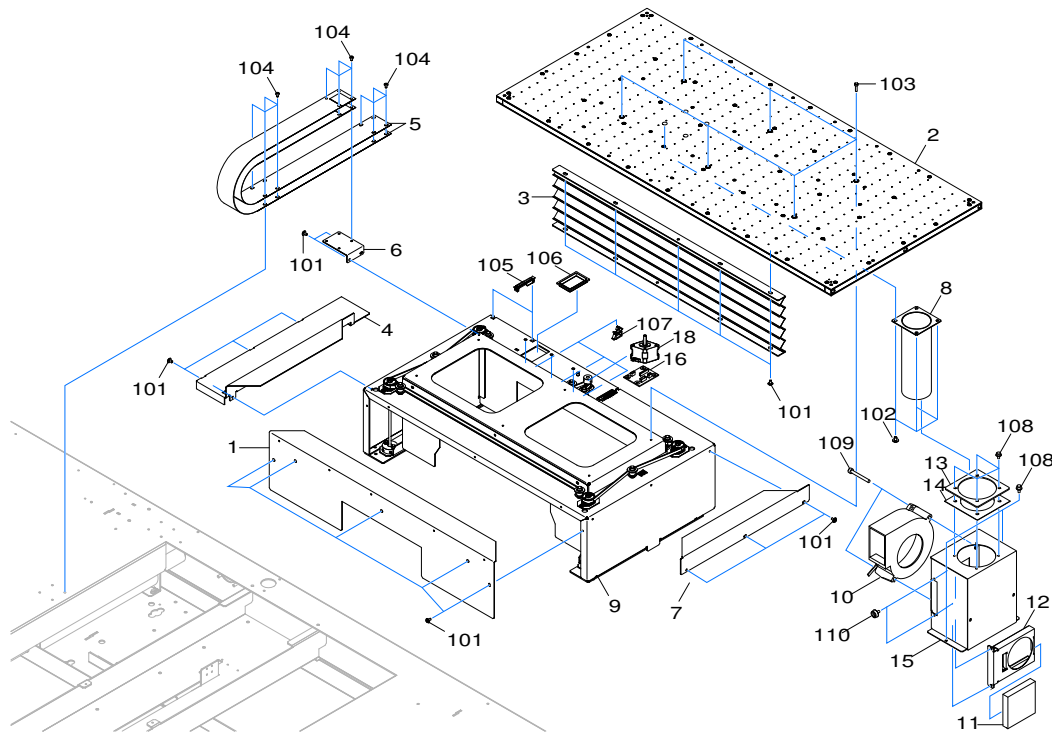


13

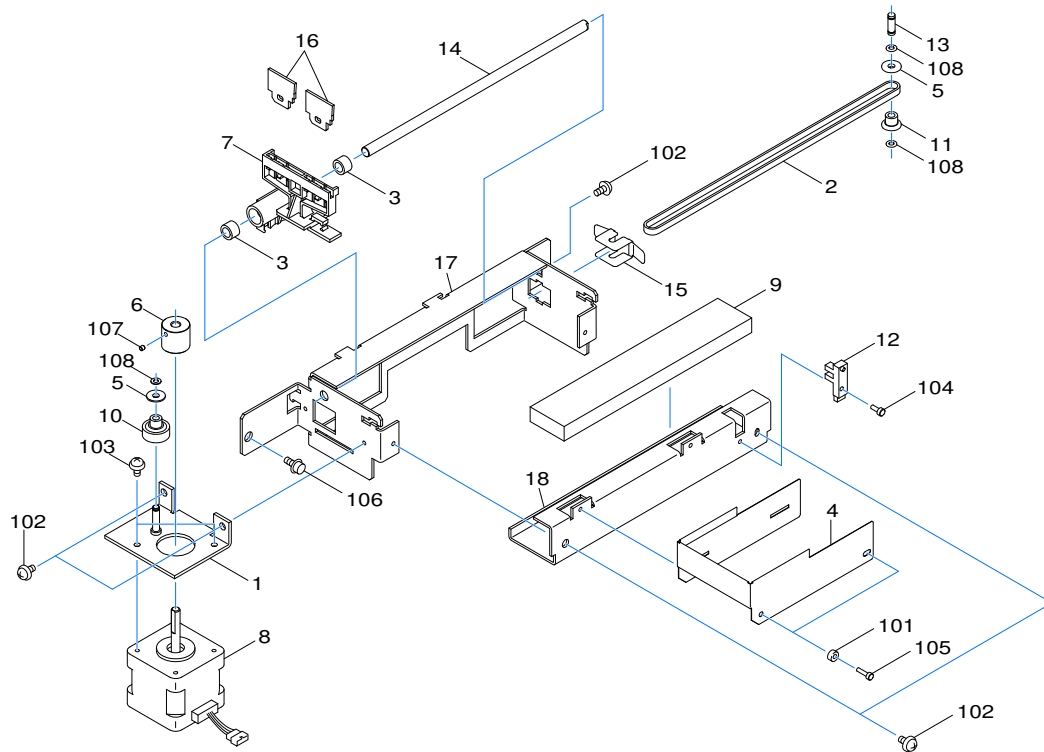


5

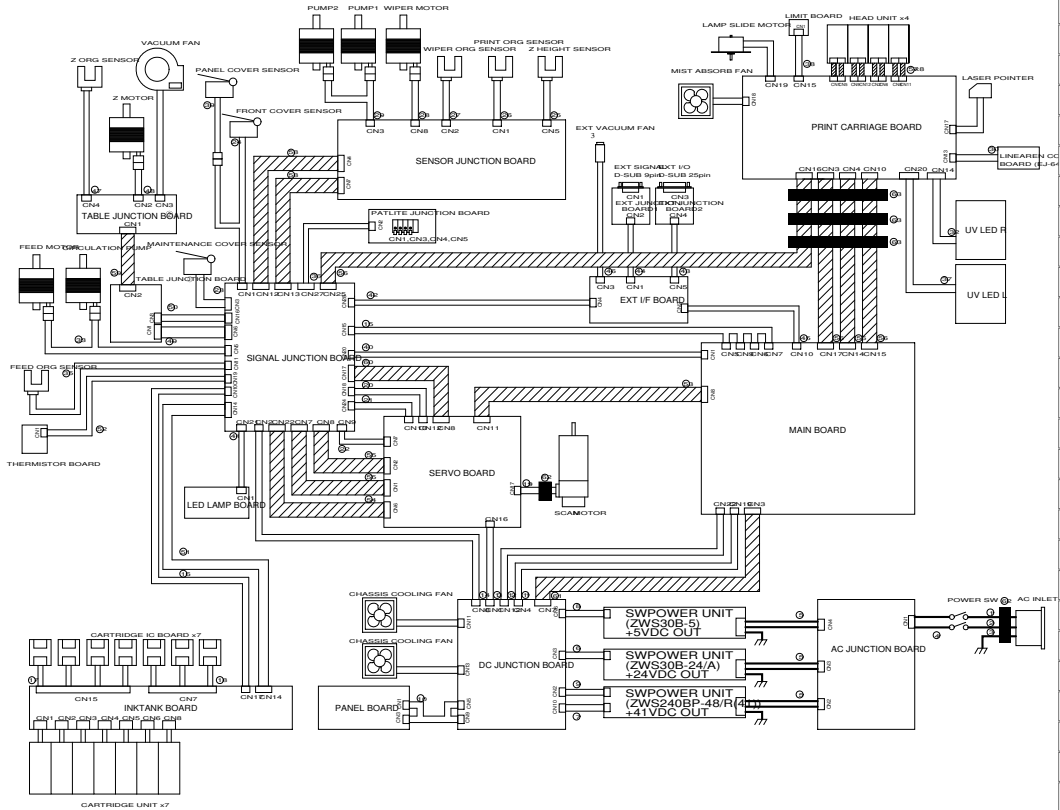
Pos	Code	Description
1	ST-056	TORQUE DRIVER N6
2	1000005463	TOOL,BIT PHILLIPS NO.1 L150MM ST-107
3	ST-001	TENSION GAUGE 2000GF/2000CN
4	1000003138	SET,CLEANER STICK TX712A 10PCS.
4	1000007172	CLEANER SET,STICK TX712A 100PCS
4	ST-037	CLEAN STICK TX712A
5	21755107	CLEANING LIQUID(SL) 500ML
5	6702419050	CLEANING LIQUID(ESL5) 500ML
6	22085118	KIT,CLEANING(SL)
6	6701409310	KIT,CLEANING(ESL5) 100ML
7	1000005467	TOOL,GLASSES UV COATING ST-111
8	1000006676	TOOL,DEODORANT MASK DPM-FM ST-116
9	1000005829	TOOL,VINYL YE UV RESISTANT ST-113
10	3000000188	SPACER,SHIM RING RF004010010 10PCS.
11	21675102	GREASE,FLOIL G-902 10ML
11	6000004129	GREASE,FLOIL G-902 10ML_02
12	1000021605	SET,PWR-M C6080-385-NF,E15348-01 SV
13	1000021760	SCRAPER,UV LAMP GLASS LEF2-200



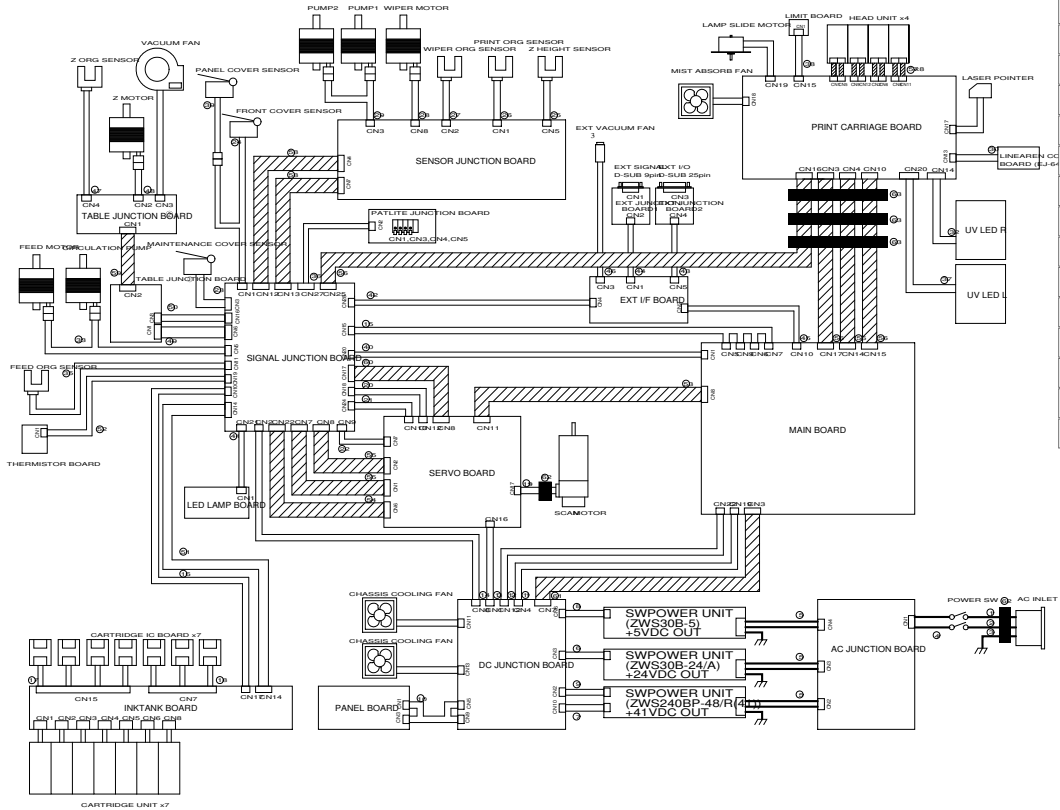
Pos	Code	Description
1	1000014650	COVER, TABLE BASE A LEF-300
2	1000014735	ASSY, VACUUM UNIT SUB LEF-300
3	1000014685	COVER, Z BELLOWS LEF-300
4	1000014653	COVER, TABLE BASE L LEF-300
5	1000014739	HOLDER, F CABLE LEF-300
6	1000014738	STAY, F CABLE LEF-300
7	1000014652	COVER, TABLE BASE R LEF-300
8	1000014651	PIPE, DUCT TABLE LEF-300
9	6703560100	ASSY, TABLE UNIT SUB LEF-300
10	1000007789	FAN, 9BAM24HA2+CN
11	1000014675	FILTER, (M) VACUUM CHAMBER LEF-300
12	1000014674	HOLDER, FILTER FAN LEF-300
13	1000014654	FLANGE, DUCT TABLE LEF-300
14	1000014655	PACKING, DUCT TABLE LEF-300
15	1000014648	CASE, DUCT TABLE LEF-300
16	W703565030	ASSY, TABLE JUNCTION 2 LEF-300
17	1000021630	PLATE, TABLE EXTENSION 2 CG2129
18	1000014971	MOTOR, 103H5208-5249
101	31289105AS	CUPSCREW SET, M3*6 3CBC 100 PCS
102	31289111AS	CUPSCREW SET, M4*6 NI 100 PCS.
103	31049107AS	SCREW SET, CAP M3*12 3CBC 20 PCS
104	31159902AS	RIVET SET, NYLON P3055W 20 PCS.
105	3000000030	CLAMP, WIRE PRESS RFC-33V0
106	31029901	BUSH, SQUARE SB-4025
107	3000000560	SADDLE, LOCKING WIRE LWS-0711Z_TH
107	31409801AS	SADDLE, LOCKING WIRE LWS-0711Z_20P
108	31049154AS	SCREW SET, CAP M3*6 NI+PW 20 PCS
109	31049134AS	SCREW SET, CAP M4*35 NI 20 PCS
110	31139101	SCREW, PLAPOINT M3*6 BK FE



Pos	Code	Description
1	100002576	BASE,WIPER MOTOR VP-540
2	11929138	BELT,408P2M4-530
3	12159536	BUSH,B-S6-17
4	1000011748	COVER,WIPE LEF-20
5	21995104	FLANGE,PULLEY STX-7
6	21685144	GEAR,S53S5(B15) FJ-540
7	21655245	HOLDER,WIPER FJ-540
8	1000018516	MOTOR,103-593-1041
8	22435106	MOTOR,103-593-1041
9	21545160	PAD,WIPER TRAY SJ-540
10	21975124	PULLEY,T14P2S4 + GEAR,S53
11	21975123	PULLEY,WD6.94S9
12	1000006689	SENSOR-INTERRUPTER,EE-SX4009-P1
13	1000004034	SHAFT,WIPE PULLEY XC-540
14	22155961	SHAFT,WIPER FJ-540
15	22175140	SPRING,TENSIONER STX-7
16	1000015036	WIPER,HEAD FOR UV INK
17	1000002574	FRAME,WIPER VP-540
18	1000002575	RAIL,GUIDE WIPER VP-540
101	31029820	BUSH SET,ROLL 3*2 3C 50PCS
102	31289109AS	CUPSCREW SET,M3*4 NI 100 PCS
103	31289102AS	CUPSCREW SET,M3*6 NI 50 PCS.
104	31049171AS	SCREW SET,CAP M3*12 NI 50 PCS.
105	31049170AS	SCREW SET,CAP M3*8 NI 50 PCS.
106	31049169AS	SCREW SET,CAP M4*8 3CBC+PW 20PCS
107	31199701AS	SCREW SET,SET WP M3*3 NI 20 PCS
108	31249952	WASHER SET,POLYSLIDER 2.6*5*.5 CUT 20PCS



Pos	Code	Description
1	100002189	CABLE-ASSY,JUNBI A VP-540
2	100002190	CABLE-ASSY,JUNBI B VP-540
3	23415268	CABLE-ASSY AC GROUND GREEN SP-540
4	100008354	CABLE-ASSY,POWER AC LEF-12
5	100009409	CABLE-ASSY,POWER-AC-DC FH-740
6	100014923	CABLE-ASSY,POWER-DC-24 LEF-300
7	100014924	CABLE-ASSY,POWER-DC-41 LEF-300
8	100011657	CABLE-ASSY,POWER-DC-A LEF-20
9	100011658	CABLE-ASSY,SLEEP CONTROL LEF-20
10	100011659	CABLE-ASSY,JUNC-PANEL LEF-20
11	100008338	CABLE-ASSY,POWER-MAIN-A LEF-12
12	100008339	CABLE-ASSY,POWER-MAIN-B LEF-12
13	100008337	CABLE-ASSY,POWER-SERVO LEF-12
14	100008336	CABLE-ASSY,POWER-SIGNAL LEF-12
15	100008332	CABLE-ASSY,JUNC-SENS LEF-12
16	100014925	CABLE-ASSY,INK SERIAL 1 LEF-300
17	100014926	CABLE-ASSY,INK CARTRIDGE 2 LEF-300
18	100014927	CABLE-ASSY,INK CARTRIDGE LEF-300
19	100011662	CABLE-ASSY,SCAN MTR LEF-20
20	100008334	CABLE-ASSY,SUB SERIAL LEF-12
21	100008333	CABLE-ASSY,AMBIENT AD LEF-12
22	100008335	CABLE-ASSY,FAN JUNC LEF-12
23	100014928	CABLE-ASSY,M-COVER L SW LEF-300
24	100014929	CABLE-ASSY,F-M-COVER SW LEF-300
25	100014930	CABLE-ASSY,Z HEIGHT SENS LEF-300
26	100014931	CABLE-ASSY,PRINT ORG SENS LEF-300
27	100014932	CABLE-ASSY,WIPER ORG SENS LEF-300
28	100014933	CABLE-ASSY,WIPER MTR LEF-300
29	100014934	CABLE-ASSY,PUMP MTR LEF-300
30	100008343	CABLE-ASSY,L-ENCODER LEF-12
32	100014935	CABLE-ASSY,LAMP R LEF-300
33	100014936	CABLE-ASSY,CIRC MTR LEF-300
34	100014952	CABLE-ASSY,GND LEF-300
35	100014937	CABLE-ASSY,FEED ORG SENS LEF-300
37	100011654	CABLE-ASSY,LAMP LEF-20
38	100011655	CABLE-ASSY,LAMP LIIDE LIMIT LEF-20
39	100014964	CABLE-ASSY,M-COVER SW1 LEF-300
40	100014939	CABLE-ASSY,THERMISTOR JUNC LEF-300
41	100014940	CABLE-ASSY,LED LAMP LEF-300
42	100014941	CABLE-ASSY,EXT LAMP JUNC LEF-300



Pos	Code	Description
43	1000014942	CABLE-ASSY,JUNC D-SUB25 LEF-300
44	1000014943	CABLE-ASSY,JUNC D-SUB9 LEF-300
45	1000014944	CABLE-ASSY,EXT I/O JUNC LEF-300
46	6000002120	CABLE-ASSY,EXT VACUUM LEF-300
47	1000014946	CABLE-ASSY,Z-ORG SENS 2 LEF-300
48	1000014947	CABLE-ASSY,Z-MOTOR LEF-300
49	1000014948	CABLE-ASSY,Z-TABLE LEF-300
50	1000014949	CABLE-ASSY,Z-ORG SENS 1 LEF-300
51	1000014950	CABLE-ASSY,INK SERIAL 2 LEF-300
52	1000014951	CABLE-ASSY,THERMISTOR LEF-300
53	1000000619	CABLE-CARD 25P1 225L BB HIGH-V
54	1000000148	CABLE-CARD,28P1 100L BB HIGH-V
55	1000006946	CABLE-CARD,26P1 300L BB HIGH-V
56	1000007177	CABLE-CARD,36P1 2370L BB HIGH-V
57	23475232	CARD CABLE,21P1 385L BB HIGH-V
58	1000014962	CABLE-CARD,21P1 420L BB HIGH-V
59	1000014954	CABLE-CARD,18P1 1160L BB HIGH-V
60	23475201	CABLE,CARD 6P1 255L BB FJ-540
61	1000008361	CABLE-CARD,24P1 90L BB HIGH-V
62	1000001141	FILTER(E),TFT-102010N
63	1000004149	FILTER(E),FRC-40-12-1.7-013