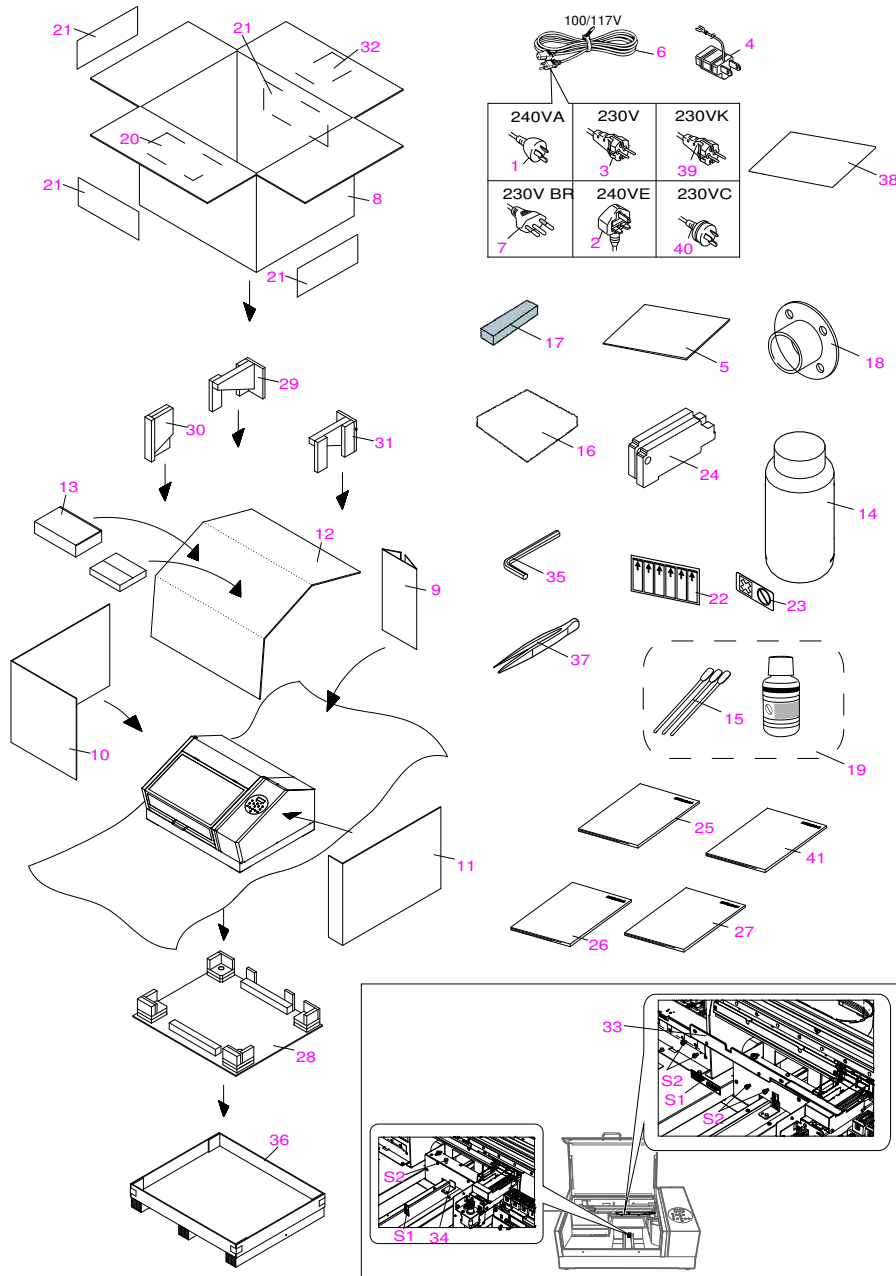
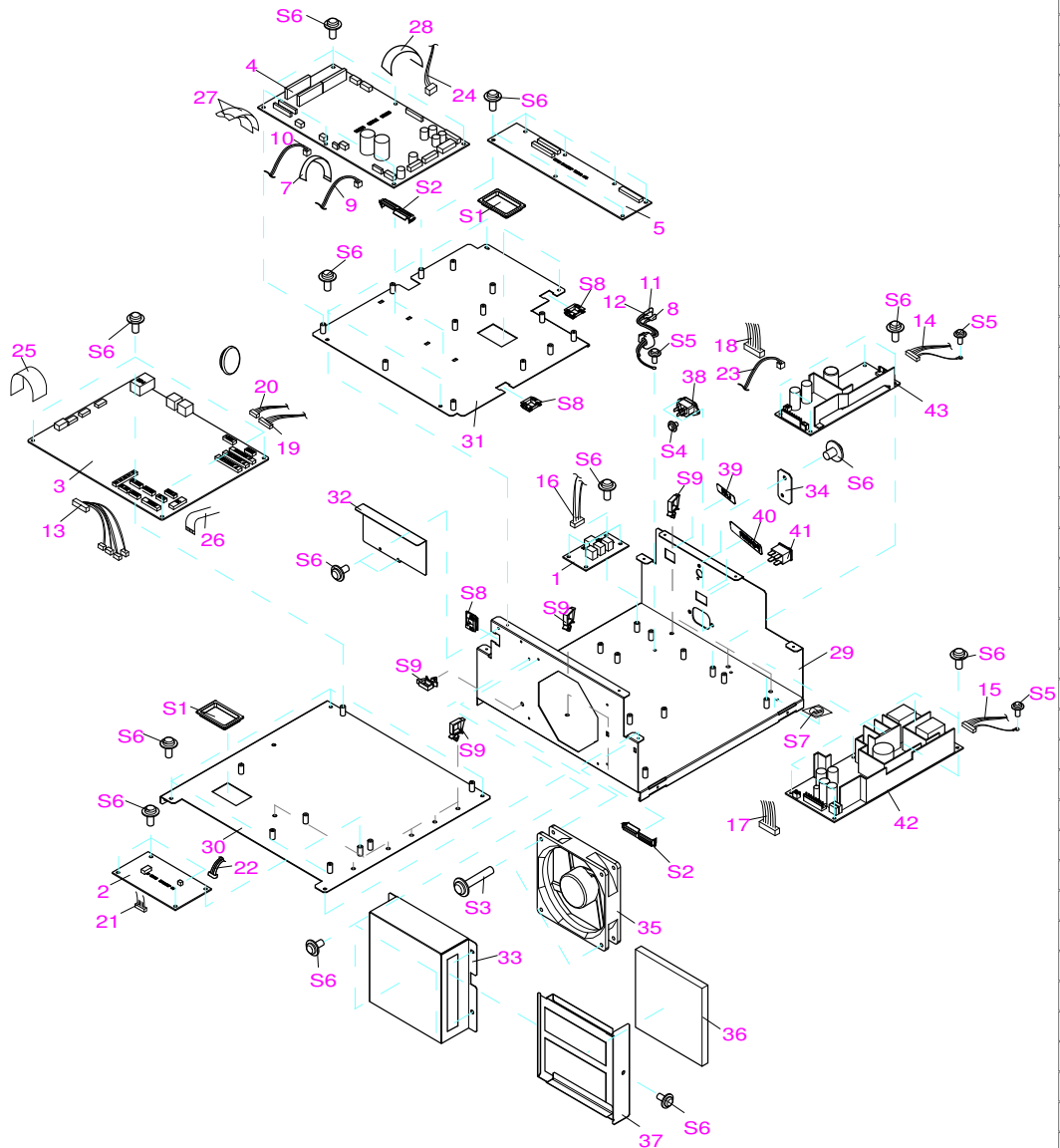


Pos	Code	Description
1	23495124	AC CORD 3ASL100 240VA 10A SAA
2	13499111	AC CORD H05VV-F 240VE 10A S
3	23495125	AC-CORD H05VV 230V 10A S
4	13499209	ADAPTER PLUG (100V)
5	22565591	ADHESIVE SHEETS
6	1000005833	CABLE-AC,117V 15A 2.5M 3P
7	1000006571	CABLE-AC,3P 117/230V BR 2.5M
8	1000008631	CARTON,SLEEVE LEF-12
9	1000008632	CARTON,SUPPORT BACK LEF-12
10	1000008633	CARTON,SUPPORT LEFT LEF-12
11	1000008634	CARTON,SUPPORT RIGHT LEF-12
12	1000008638	CARTON,SUPPORT TOP LEF-12
13	22605362	CARTON.VKIT PC-12
14	11369115	CASE,PP BOTTLE
15	1000003138	SET,CLEANER STICK TX712A 10PCS.
15	1000007172	CLEANER SET,STICK TX712A 100PCS
15	ST-037	CLEAN STICK TX712A
16	1000008292	FILTER(M),MIST REAR LEF-12
17	1000008291	FILTER,MIST CARRIAGE LEF-12
18	1000005301	FLANGE,DUCT HOSE HOFM38
19	22085118	KIT,CLEANING(SL)
19	6701409310	KIT,CLEANING(ESL5) 100ML
20	22535532	LABEL,CARTON CARE #LA762
21	1000012874	LABEL,CARTON LEF-12#LA1982
22	1000008583	LABEL,DRAIN BOTTLE UV #LA1278
23	1000001099	LABEL,HARMFUL FIRE #LA915
24	1000002989	PAD,DUMMY CARTRIDGE SP-540V
24	1000008644	PAD,DUMMY CARTRIDGE VS-640
25	1000008373	MANUAL,USE JP LEF-12
25	1000008374	MANUAL,USE EN LEF-12
25	1000009893	MANUAL,USE JP LEF-12_03
25	1000009894	MANUAL,USE EN LEF-12_03
26	1000007009	MANUAL,USE2 JP LEC-540
26	1000007010	MANUAL,USE2 EN LEC-540
27	1000008371	MANUAL,STA JP LEF-12
27	1000008372	MANUAL,STA EN LEF-12
27	1000009891	MANUAL,STA JP LEF-12_02
27	1000009892	MANUAL,STA EN LEF-12_03
28	1000008630	PAD,L LEF-12
29	1000008635	PAD,U LEFT B LEF-12

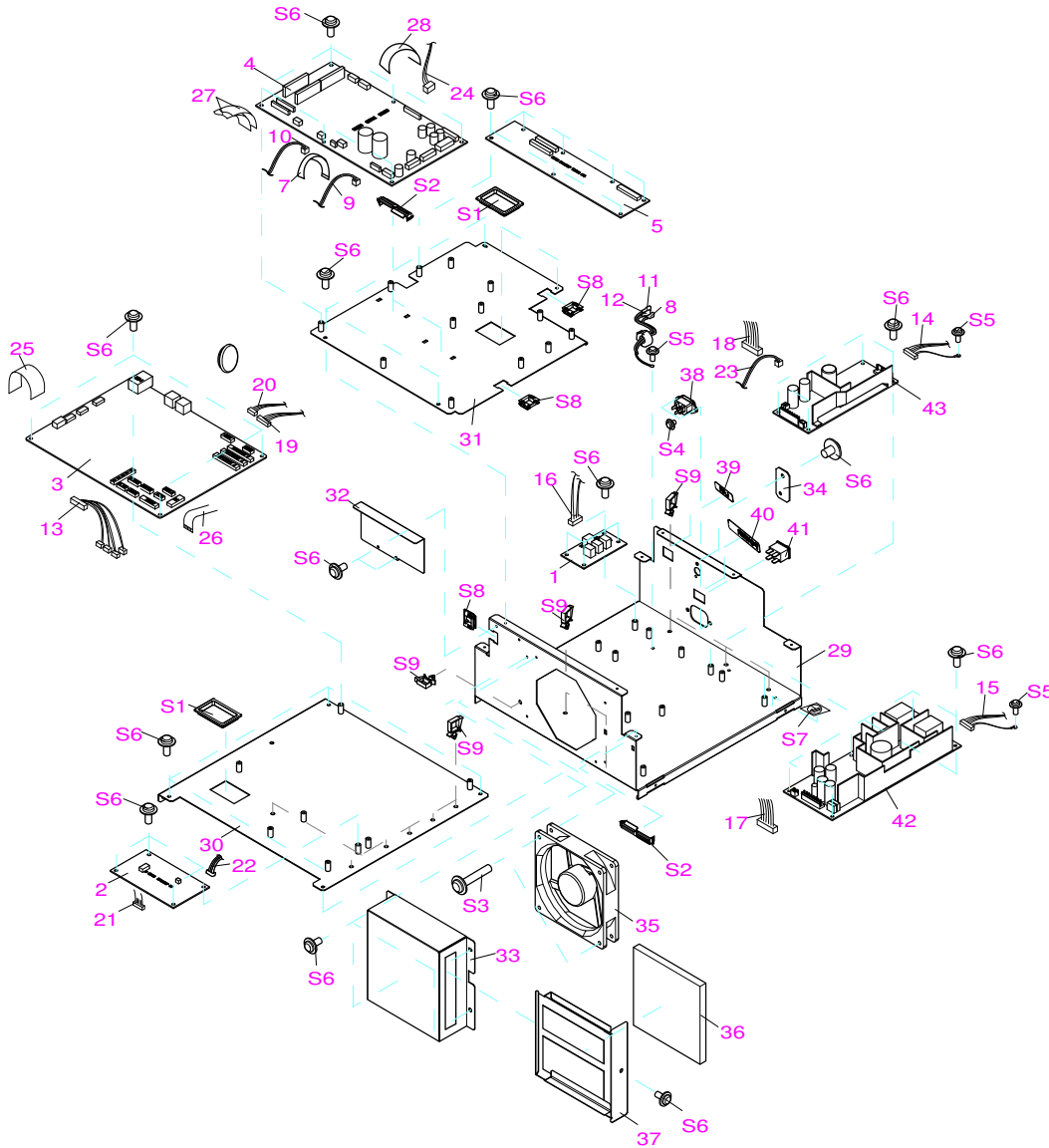


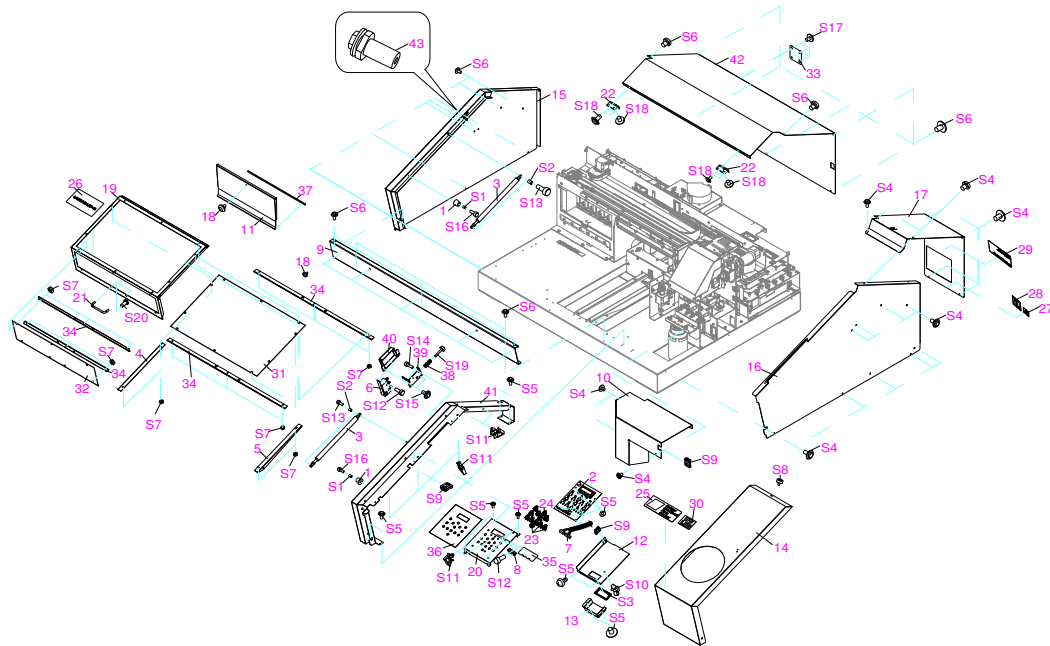
Pos	Code	Description
30	1000008636	PAD,U LEFT F LEF-12
31	1000008637	PAD,U RIGHT B LEF-12
32	1000008641	STICKER,REP JP/EN LEF-12
33	1000008256	STOPPER,CARRIAGE LEF-12
33	1000019262	STOPPER,CARRIAGE2 LEF-20
34	1000008236	STOPPER,TABLE LEF-12
35	21935130	TOOL,HEXAGON 3 ZN
36	1000008629	TRAY,SKID LEF-12
37	12569656	TWEEZERS PTS-01
38	1000009033	SHIELD,UV REFLECTION LEF-12
39	1000010999	CABLE-AC, H05VV 230V 10A KC
40	13439801	CABLE-AC 3P CHINA 10A250V S
41	1000011012	MANUAL,INS3 JP/EN LEC-540
S1	31279201	LABEL,REPACKAGE #LA16
S2	31799107	SCREW SET,CAP M4*6 NI 20PCS



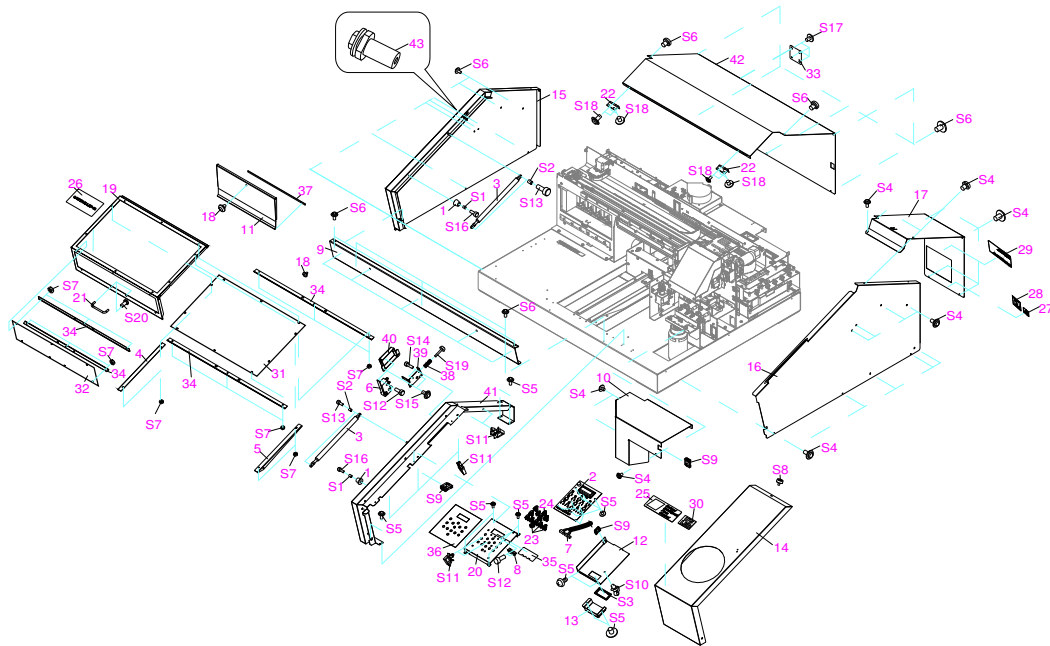
Pos	Code	Description
1	W701745010	ASSY,AC JUNCTION BOARD LEF-12
2	W701745020	ASSY,DC JUNCTION BOARD LEF-12
3	6000005132	ASSY,MAIN BOARD SV LEF-12_02
3	6701409020	ASSY,MAIN BOARD VS-640
3	6701979010	ASSY,MAIN BOARD RE-640
4	6700241190	ASSY,SERVO BOARD LEC-300
5	W701745080	ASSY,SIGNAL JUNCTION BOARD LEF-12
6	15009101	BATTERY CR2032
7	23475201	CABLE,CARD 6P1 255L BB FJ-540
8	23415268	CABLE-ASSY AC GROUND GREEN SP-540
9	1000008333	CABLE-ASSY,AMBIENT AD LEF-12
10	1000008335	CABLE-ASSY,FAN JUNC LEF-12
11	1000002189	CABLE-ASSY,JUNBI A VP-540
12	1000002190	CABLE-ASSY,JUNBI B VP-540
13	1000008332	CABLE-ASSY,JUNC-SENS LEF-12
14	1000008353	CABLE-ASSY,POWER 27V LEF-12
15	1000008352	CABLE-ASSY,POWER 41V LEF-12
16	1000008354	CABLE-ASSY,POWER AC LEF-12
17	1000008355	CABLE-ASSY,POWER-DC-A LEF-12
18	1000008340	CABLE-ASSY,POWER-DC-B LEF-12
19	1000008338	CABLE-ASSY,POWER-MAIN-A LEF-12
20	1000008339	CABLE-ASSY,POWER-MAIN-B LEF-12
21	1000008337	CABLE-ASSY,POWER-SERVO LEF-12
22	1000008336	CABLE-ASSY,POWER-SIGNAL LEF-12
23	1000008356	CABLE-ASSY,SLEEP CONTROL LEF-12
24	1000008334	CABLE-ASSY,SUB SERIAL LEF-12
25	1000000619	CABLE-CARD 25P1 225L BB HIGH-V
26	1000008361	CABLE-CARD,24P1 90L BB HIGH-V
27	1000006946	CABLE-CARD,26P1 300L BB HIGH-V
28	1000000148	CABLE-CARD,28P1 100L BB HIGH-V
30	1000008250	CHASSIS,STAY MIDDLE LEF-12
31	1000008251	CHASSIS,STAY UPPER LEF-12
32	1000008587	COVER,INK GUARD LEF-12
33	1000008588	COVER,MIST DUCT CHASSIS LEF-12
34	1000008586	COVER,SERIAL PORT LEF-12
35	1000000551	FAN,4710KL05WB40
36	1000008292	FILTER(M),MIST REAR LEF-12
37	1000008753	HOLDER,MIST DUCT CHASSIS LEF-12
38	13429702	INLET AC P01CF01 15A250V
39	1000002682	LABEL,LAN VP-540#LA964

Pos	Code	Description
40	22535117	LABEL,POWER CM-500 NO.893
41	13129170	POWER SW AJ7201B
42	1000006130	POWER UNIT,LEB150F-0536-XRLD A
43	1000008222	POWER UNIT,LFA100F-24-J1R2YD27
S1	31029901	BUSH,SQUARE SB-4025
S2	3000000033	CLAMP,WIRE PLESS RFC-45VO
S3	31019124	SCREW SET,BINDING M3*35 NI 50 PCS
S4	31289105AS	CUPSCREW SET, M3*6 3CBC 100 PCS
S5	31289111AS	CUPSCREW SET, M4*6 NI 100 PCS.
S6	31289109AS	CUPSCREW SET,M3*4 NI 100 PCS
S7	31279116	LABEL,EARTH MARK-1 NO.E-580
S8	31409702	SADDLE SET,LOCKING WIRE LES-1010 20P
S9	31409811AS	SADDLE SET,LOCKING WIRE LWS-1211Z 20P

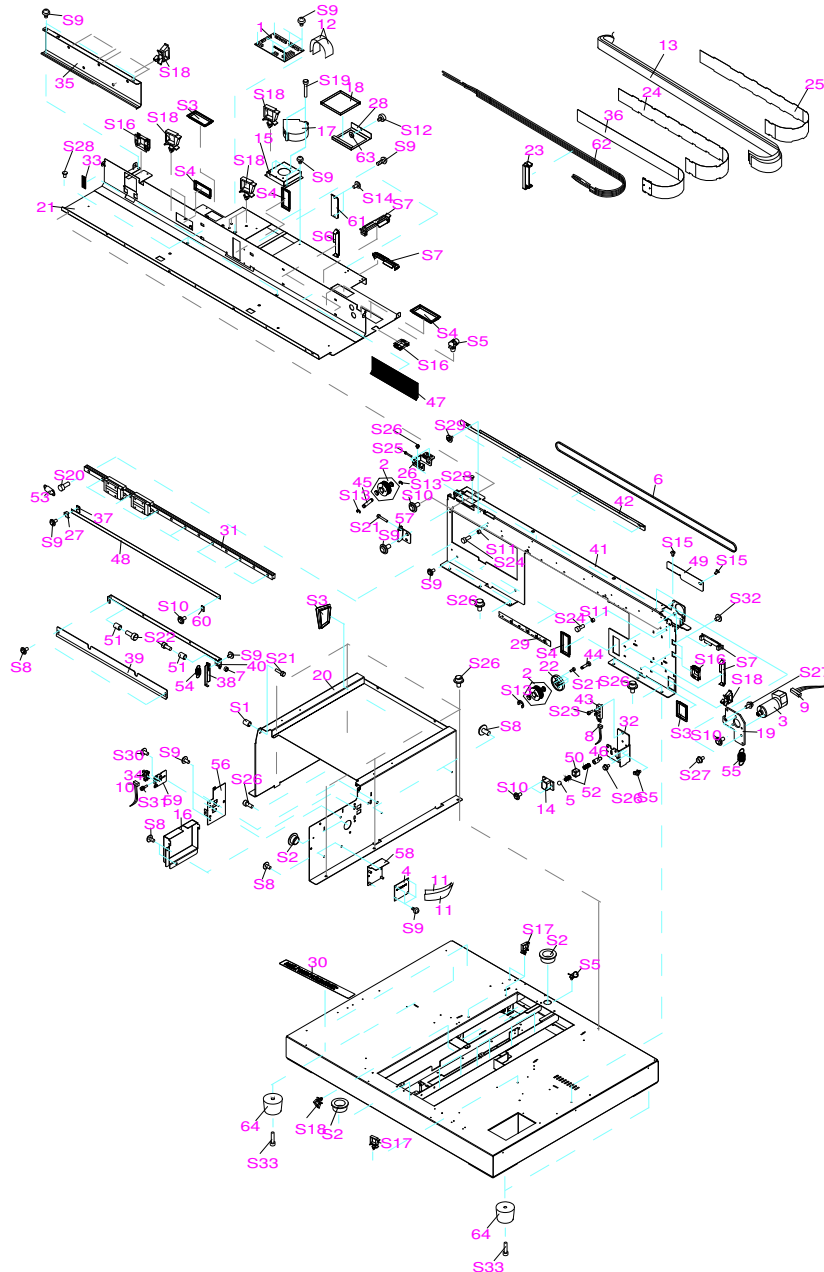




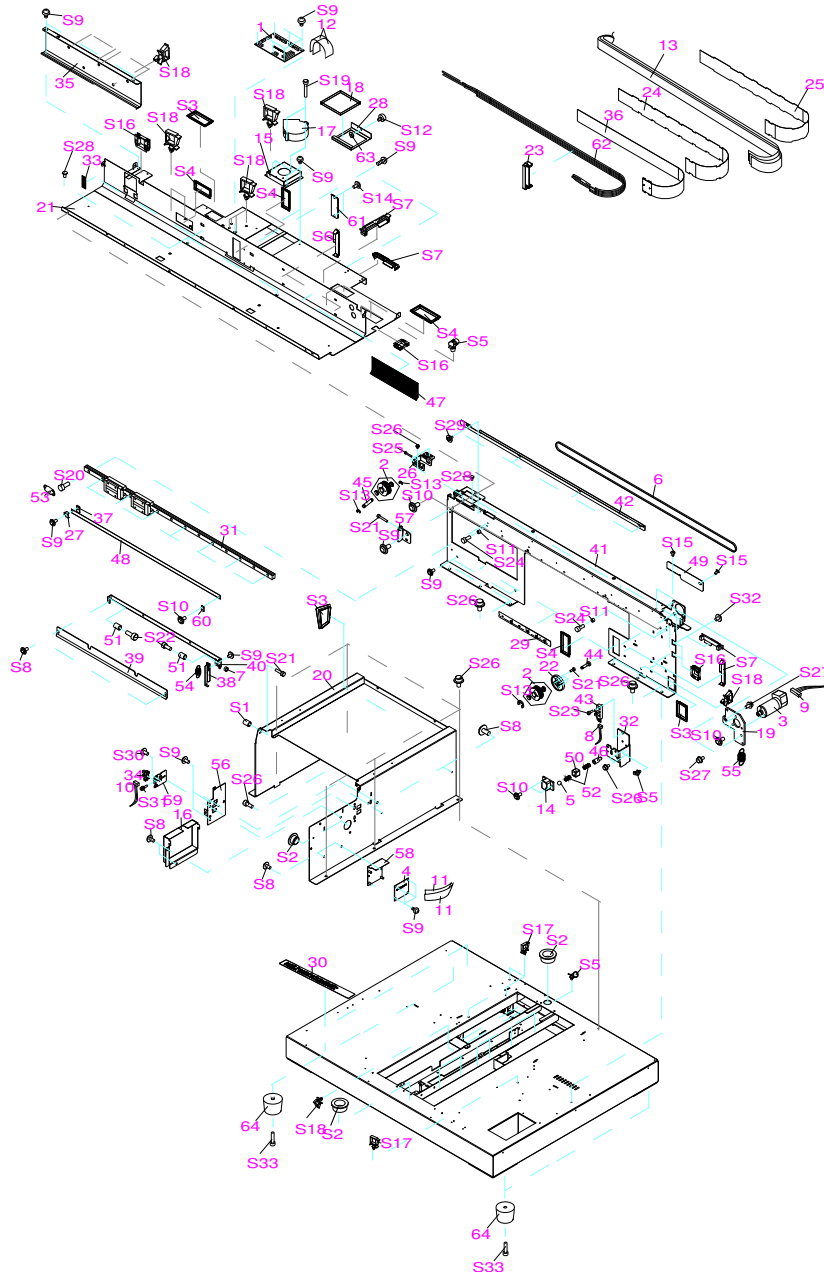
Pos	Code	Description
1	11879107	ABSORBER TK-12
2	W701745050	ASSY,PANEL BOARD LEF-12
3	6700819030	ASSY,SPRING GAS JWX-30
3	6700819060	ASSY,SPRING GAS 30N
4	100008269	BRACKET,B L GAS SPRING LEF-12
5	100008270	BRACKET,B R GAS SPRING LEF-12
6	100008330	CABLE-ASSY,F-COVER SW LEF-12
7	100008344	CABLE-ASSY,JUNC PANEL LEF-12
8	100008331	CABLE-ASSY,M-COVER SW LEF-12
9	100008267	COVER,FRONT UNDER LEF-12
10	100008241	COVER,I/S LEF-12
10	100019450	COVER,I/S 2 LEF-12
11	100008284	COVER,INK CARTRIDGE LEF-12
12	100008260	COVER,PANEL BACK LEF-12
13	100008688	COVER,PANEL CABLE LEF-12
14	100008261	COVER,PANEL LEF-12
15	100008264	COVER,SIDE L LEF-12
15	100012150	COVER,SIDE L LEF-12_01
16	100008263	COVER,SIDE R LEF-12
17	100008265	COVER,TOP R LEF-12
18	12239406	CUSHION,TM-96-6
19	100008271	FRAME,FRONT COVER LEF-12
19	100020988	FRAME,FRONT COVER2 LEF-12
20	100008259	FRAME,PANEL LEF-12
21	100008299	HANDLE,UNFA-125-BK
22	100002384	HINGE,TH-TM-114
23	100012564	KEY,TOP CLEAR GS-24
23	22495102	KEY TOP,CLEAR GX-24
24	100012563	KEY,TOP WHITE GS-24
24	22495101	KEY TOP,WHITE GX-24
25	100004160	LABEL, REFLECTION XC-540#LA1041
26	100008689	LABEL,CAUTION LEF-12#LA1287
27	31279121	LABEL,FLASH-LIGHTING NO.E-582
28	100003489	LABEL,MARK ECO#LA1014
29	22535444	LABEL,READ MANUAL #LA637
30	100005297	LABEL,UV LED LEC-300#LA1099
31	100008308	PLATE,COVER F LEF-12
32	100008309	PLATE,COVER UNDER LEF-12
33	100005225	PLATE,DUCT CLOSE LEC-300
34	100008268	PLATE,NUT COVER F LEF-12



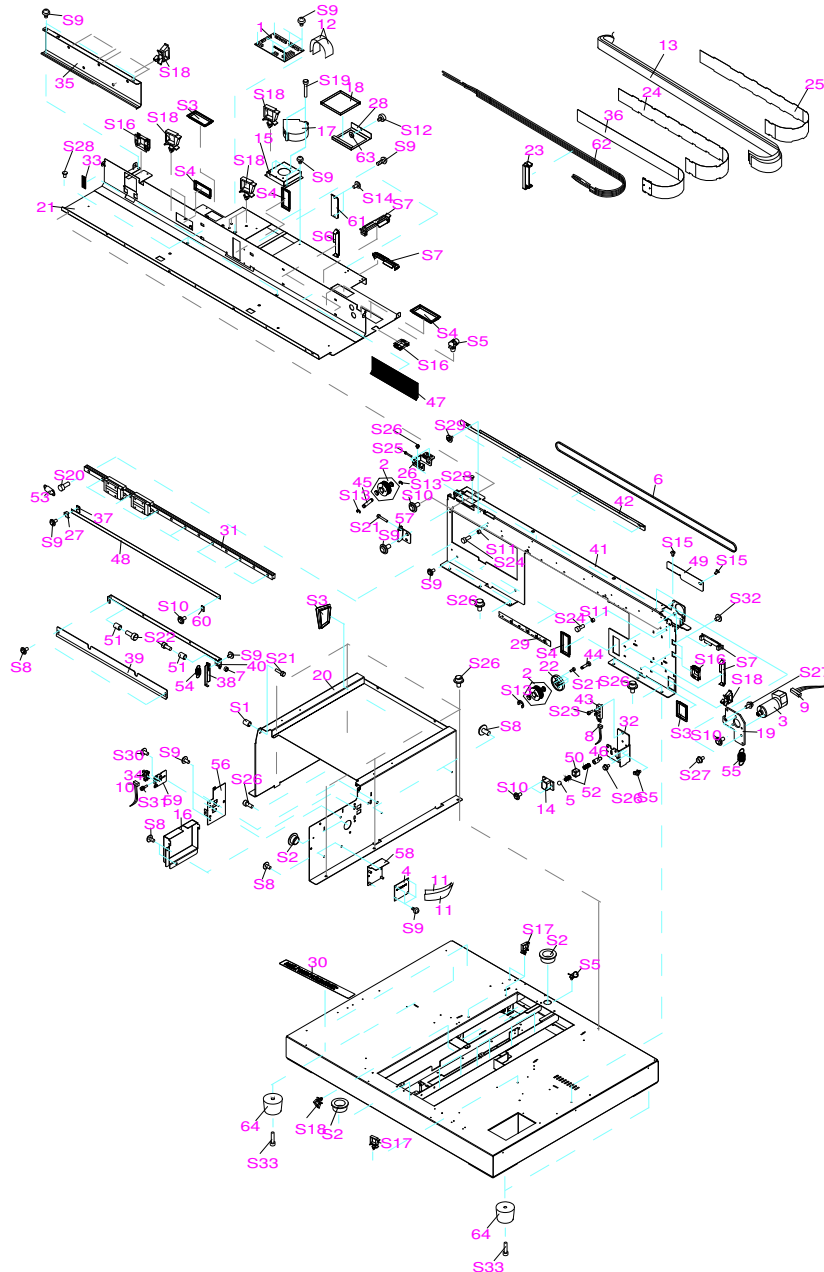
Pos	Code	Description
35	1000003029	SHEET,LCD VP-540
36	1000008312	SHEET,PANEL LEF-12
37	1000008290	SHIELD,UV PAD I/C LEF-12
38	22175519	SPRING,HEAD PRESS 500 FJ-540
38	22175520	SPRING,HEAD ADJUST 500 FJ-540
39	1000008274	STAY,ADJST SW LEF-12
40	1000008273	STAY,COVER SW LEF-12
41	1000008266	SUPPORT,FRAME R LEF-12
41	1000012151	SUPPORT,FRAME R LEF-12_01
43	1000012173	KIT,HOLDER PIN SUS LEF-12
S1	31029802AS	BUSH SET,ROLL 3*3.5 3C 100PCS.
S2	31029804AS	BUSH SET,ROLL 3*5.5 3C 100PCS.
S3	31029106	BUSH,SQUARE SB-6025
S4	31289105AS	CUPSCREW SET, M3*6 3CBC 100 PCS
S5	31289109AS	CUPSCREW SET,M3*4 NI 100 PCS
S6	31289102AS	CUPSCREW SET,M3*6 NI 50 PCS.
S7	31109802	NUT SET,HEXAGON M4 NI 100PCS
S8	31139103	PLAPOINT,FE4*6 WH
S9	31409702	SADDLE SET,LOCKING WIRE LES-1010 20P
S10	31329501AS	CLAMP SET,PUSH MOUNT RT30SSF5 20P
S11	3000000560	SADDLE,LOCKING WIRE LWS-0711Z_TH
S11	31409801AS	SADDLE,LOCKING WIRE LWS-0711Z 20P
S12	31019149	SCREW SET,BINDING M2.3*8 3CBC 100PCS
S13	31049155AS	SCREW SET,CAP M3*12 BC+PW 20 PCS.
S14	31049105AS	SCREW SET,CAP M3*6 3CBC 20 PCS
S15	31049154AS	SCREW SET,CAP M3*6 NI+PW 20 PCS
S16	31049170AS	SCREW SET,CAP M3*8 NI 50 PCS.
S17	31049169AS	SCREW SET,CAP M4*8 3CBC+PW 20PCS
S18	31169103AS	SCREW SET,FLAT M3*6 3CBC 100 PCS
S19	31179908AS	SCREW SET,UREA M3*20 N-1 WH 50PCS
S20	3000000025	SCREW,PAN 5*10 3C 50PCS



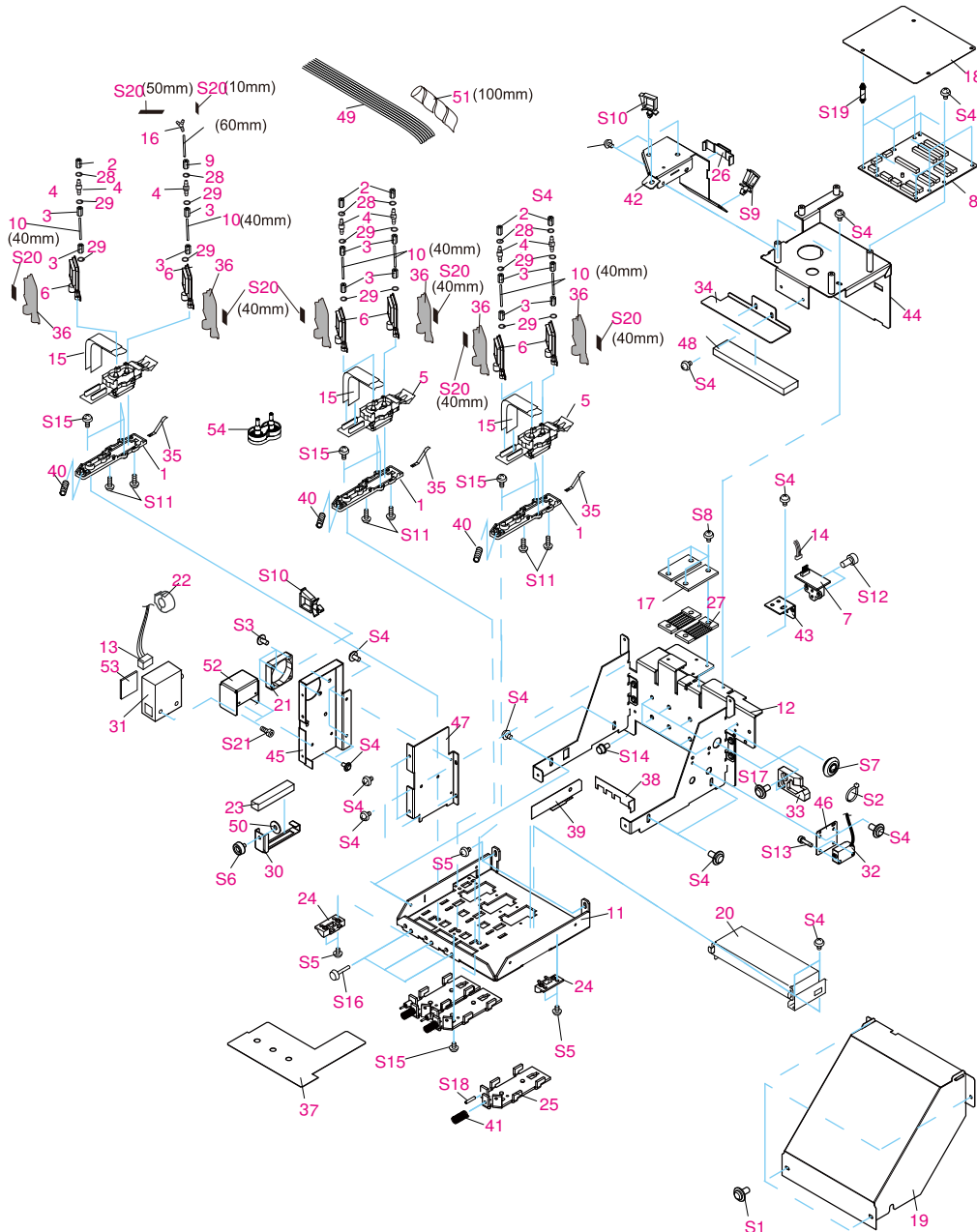
Pos	Code	Description
1	W701745030	ASSY,INK JUNCTION BOARD LEF-12
2	6700469030	ASSY,PULLEY VP-540
3	6000002593	ASSY,SCAN MOTOR LEF-12_01
3	6701409030	ASSY,SCAN MOTOR LEF-12
4	W701745040	ASSY,SENS JUNCTION BOARD LEF-12
5	11869103	BALL,4MM
6	1000008288	BELT,50S2M922LW-C
7	31029812	BUSH SET,ROLL 5*5 3C 100PCS
8	1000008329	CABLE-ASSY,PRINT ORG SENS LEF-12
9	1000008341	CABLE-ASSY,SCAN MTR LEF-12
10	1000008325	CABLE-ASSY,Z HEIGHT SENS LEF-12
10	1000011671	CABLE-ASSY,Z HEIGHT SENS LEF-20
11	1000008359	CABLE-CARD,21P1 1100L BB HIGH-V
12	1000008358	CABLE-CARD,29P1 600L BB HIGH-V
13	1000008357	CABLE-CARD,36P1 1700L BB HIGH-V
14	1000016171	CASE,LOCK CJ-70_02
14	21365103	CASE,LOCK CJ-70
15	1000008275	COVER,MIST R LEF-12
16	1000008281	COVER,Z SENSOR LEF-12
16	1000010253	COVER,Z/SENSOR LEF-12_01
17	1000007789	FAN,9BAM24HA2+CN
18	1000008292	FILTER(M),MIST REAR LEF-12
19	1000008258	FLANGE,MOTOR SCAN LEF-12
22	1000001905	GEAR,H187S20(B8)
23	1000006514	GUIDE,TUBE 10 VS-640
24	1000008300	HOLDER,CABLE F LEF-12
25	1000008295	HOLDER,CABLE LEF-12
26	1000001555	HOLDER,IDLE PULLEY XC-540
27	21655131	HOLDER,LINEAR SCALE CJ-70
28	1000008276	HOLDER,MIST R LEF-12
29	1000004914	LABEL,SET INK LEC-300#LA1071
30	1000004913	LABEL,USE UV LEC-300#LA1070
31	1000008294	L-BEARING,SSR15XW2GE+840L
32	1000008257	LOCK,STAY LEF-12
33	1000003151	PAD,GUIDE TUBE VP-540
34	15229705	PHOTO INTERRUPTER GP1A71A1
35	1000008255	PLATE,GUIDE TUBE LEF-12
36	1000008306	PLATE,HOLDER CABLE LEF-12
37	22055316	PLATE,LINEAR SCALE CJ-70
38	1000008280	PLATE,SHUTTER Z SENSOR LEF-12



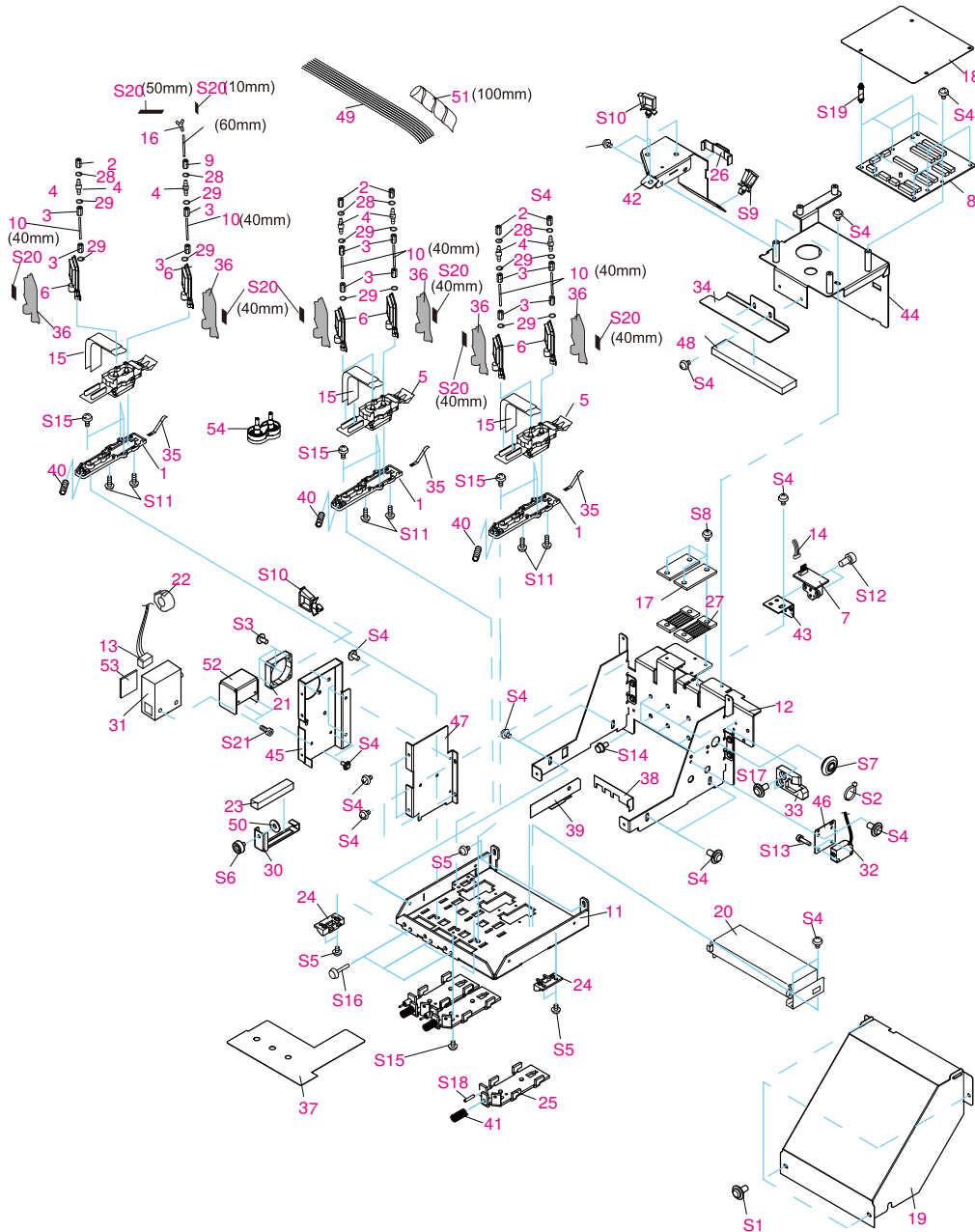
Pos	Code	Description
39	1000008279	PLATE,Z LEVEL LEF-12
39	1000015786	PLATE,Z LEVEL LEF-12_01
40	1000008278	PLATE,Z LEVEL STAY LEF-12
42	1000008252	RAIL,LINEAR SCALE LEF-12
43	1000006689	SENSOR-INTERRUPTER,EE-SX4009-P1
44	1000001480	SHAFT,DRIVE PULLEY XC-540
45	1000001479	SHAFT,IDLE PULLEY XC-540
46	1000012944	SHAFT,LOCK CJ-70
46	22295117	SHAFT,LOCK CJ-70
47	1000003089	SHEET,FRAME SUPPORT RAIL VP-540
48	1000008293	SHEET,LINEAR SCALE LEF-12
49	1000008584	SHEILD,SCAN MOTOR LEF-12
50	1000016170	SLIDER,LOCK CJ-70_02
50	22185101	SLIDER,LOCK CJ-70
51	1000008621	SPACER,Z LEVEL SENSOR LEF-12
52	22175134	SPRING,A CJ-70
53	22175122	SPRING,BACK UP PNC-960
54	1000008307	SPRING,BACK UP Z SENSOR LEF-12
55	22175157	SPRING,C P-ROLLER CM-500
56	1000008283	STAY,ADJUST SENSOR R LEF-12
57	1000008286	STAY,COVER CARTRIDGE LEF-12
58	1000008285	COVER,SENS JUNCTION BOARD LEF-12
59	1000008277	STAY,Z SENSOR LEF-12
60	22135441	STOPPER,LINEAR SCALE FJ-540
61	1000008687	SUPPORT,HOLDER CABLE LEF-12
62	1000008296	TUBE,SJ-RDG2.2*3.3 LINK7 LEF-12
63	1000008585	WASHER,PA6 3.4*10*0.8 LEF-12
64	11879126	ABSORBER,C-30-RK-3225
S1	31029802AS	BUSH SET,ROLL 3*3.5 3C 100PCS.
S2	31029101	BUSH,NB-19
S3	31029901	BUSH,SQUARE SB-4025
S4	31029106	BUSH,SQUARE SB-6025
S5	31329501AS	CLAMP SET,PUSH MOUNT RT30SSF5 20P
S6	3000000033	CLAMP,WIRE PLESS RFC-45VO
S7	3000000030	CLAMP,WIRE PRESS RFC-33VO
S8	31289105AS	CUPSCREW SET, M3*6 3CBC 100 PCS
S9	31289109AS	CUPSCREW SET,M3*4 NI 100 PCS
S10	31289102AS	CUPSCREW SET,M3*6 NI 50 PCS.
S11	31129102	PIPE SET,POLYCA 4*8*10 20PCS
S12	31139103	PLAPOINT,FE4*6 WH



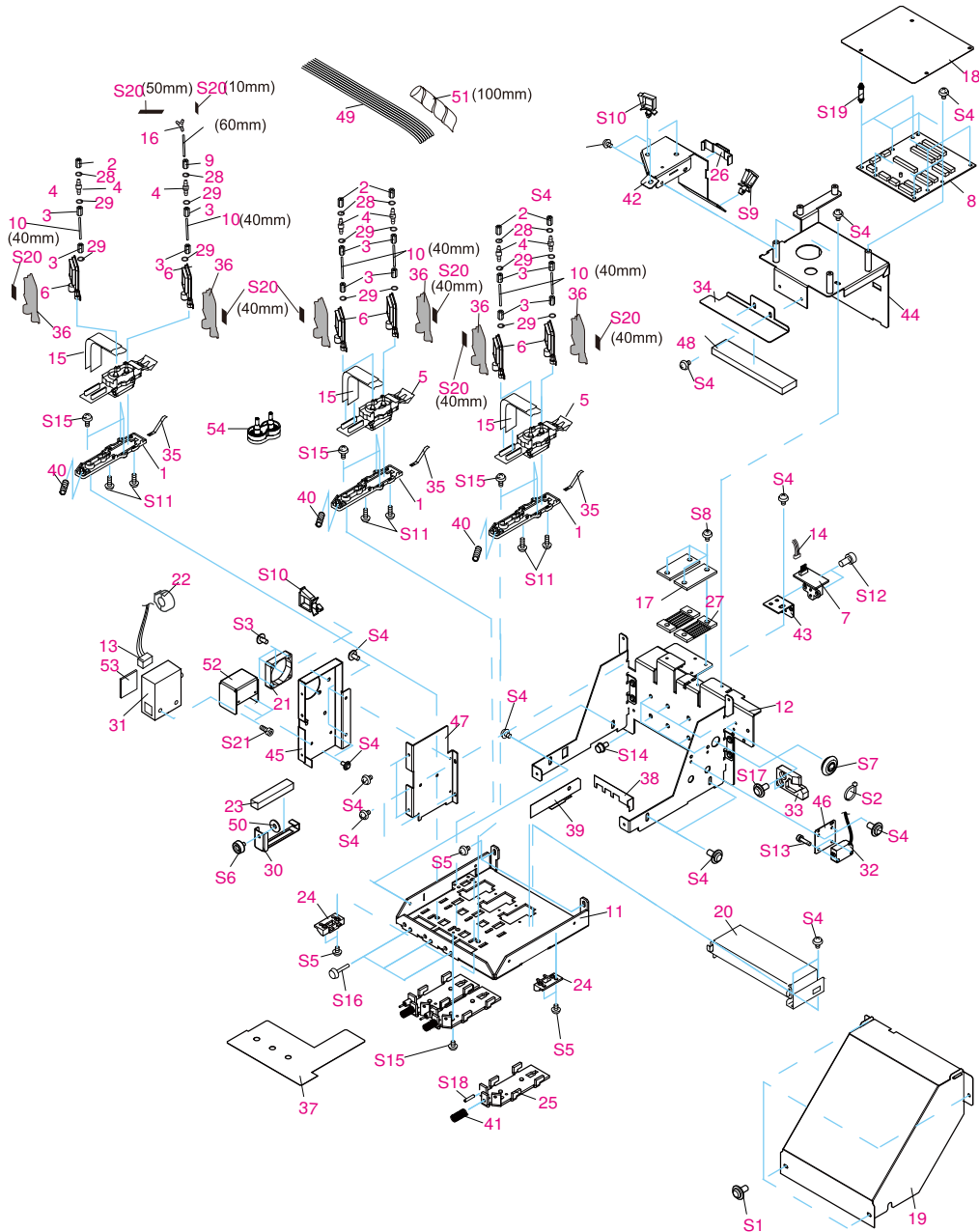
Pos	Code	Description
S13	31149704AS	RING SET,E-RING ETW-6 SUS 100 PCS
S14	31299102AS	RIVET SET,NYLON P2655B 20 PCS.
S15	31159902AS	RIVET SET,NYLON P3055W 20 PCS.
S16	31409702	SADDLE SET,LOCKING WIRE LES-1010 20P
S17	31409811AS	SADDLE SET,LOCKING WIRE LWS-1211Z 20P
S18	3000000560	SADDLE,LOCKING WIRE LWS-0711Z_TH
S18	31409801AS	SADDLE,LOCKING WIRE LWS-0711Z 20P
S19	31019124	SCREW SET,BINDING M3*35 NI 50 PCS
S20	31049155AS	SCREW SET,CAP M3*12 BC+PW 20 PCS.
S21	31049171AS	SCREW SET,CAP M3*12 NI 50 PCS.
S22	31049170AS	SCREW SET,CAP M3*8 NI 50 PCS.
S23	31049173AS	SCREW SET,CAP M4*10 NI 50 PCS.
S24	31049174AS	SCREW SET,CAP M4*15 NI 20 PCS.
S25	3000000423	CAP-SCREW,4*25 3CBC 100PCS
S25	31049137AS	SCREW SET,CAP M4*25 3CBC 20 PCS
S26	31049169AS	SCREW SET,CAP M4*8 3CBC+PW 20PCS
S27	3000000172	SCREW SET,CAP M4*8 NI WSH4*9*0.8 20P
S28	31169103AS	SCREW SET,FLAT M3*6 3CBC 100 PCS
S29	31239103AS	SCREW SET,W-SEMS M3*8 NI+PW 50 PCS
S30	31239125AS	SCREW SET,W-SEMS M3*8 SUS 50 PCS.
S31	31179106	SCREW,JACK UP SP-540V
S32	31289111AS	CUPSCREW SET, M4*6 NI 100 PCS.
S33	31049136AS	SCREW SET,CAP M4*20 3CBC 20 PCS



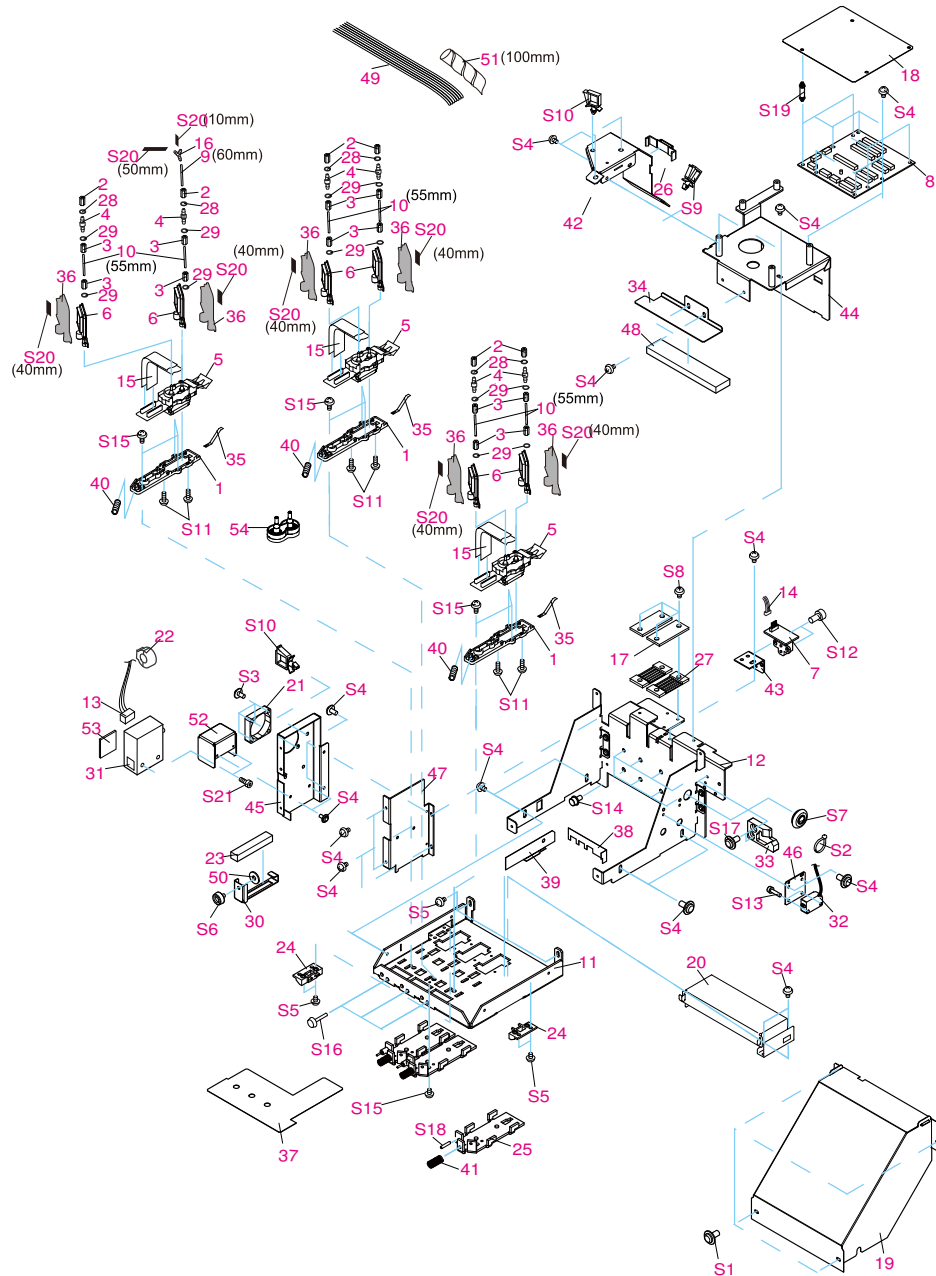
Pos	Code	Description
1	21905166	ADAPTER,HEAD FJ-540
2	11909133	ADAPTER,SCREW 2FAI FJ-50
3	11909167	ADAPTER,SCREW 3FAI FJ-540
4	100001589	ADAPTER,TUBE 2-3FAI XC-540
5	100002201	ASSY,HEAD INKJET SOL XC-540
5	600005213	ASSY,HEAD INKJET SOL XC-540 SV2
6	6085393800	ASSY,INK DAMPER L 3FAI 4 SJ-1000
7	6701681100	ASSY,LINEAR ENCODER BOARD BN-20
8	W701745060	ASSY,PRINT CARRIAGE BOARD LEF-12
9	1000008754	ASSY,TUBING BK 2.2FAI 300MM LEJ-640
9	3000000181	TUBE,INK BK 2.2FAI (10m)
10	1000006439	ASSY,TUBING 3*350MM BK LEC-330
10	3000000113	TUBE,INK BK 3FAI
12	1000008245	BASE,HOLDER CARRIAGE LEF-12
12	1000019263	BASE,HOLDER CARRIAGE2 LEF-12
13	1000008342	CABLE-ASSY,LAMP IF LEF-12
13	1000009037	CABLE-ASSY,LAMP IF LEF-12_01
14	1000008343	CABLE-ASSY,L-ENCODER LEF-12
15	23475206	CABLE-CARD 21P1 330L BB
16	100002095	FITTING,TUBE PP VFY206
17	1000020055	COVER,BELT HOLDER EGX-600TH
17	22025646	COVER,BELT HOLDER EGX-600
18	1000008305	COVER,CARRIAGE BOARD LEF-12
19	1000008304	COVER,CARRIAGE LEF-12
20	100002588	COVER,HEAD BOARD VP-540
21	1000008025	FAN,109P0405M911
22	100001141	FILTER(E),TFT-102010N
23	1000008291	FILTER,MIST CARRIAGE LEF-12
24	100003076	GUIDE,CARRIAGE CAP VP-540
25	22135440	GUIDE,HEAD AL FJ-540
26	100003293	GUIDE,TUBE TYPE3 VP-540
27	1000015114	HOLDER,BELT EGX-600_01
27	21655232	HOLDER,BELT EGX-600
28	11659149	HOLDER,RING O 2FAI FJ-50
29	11659249	HOLDER,RING O 3FAI FJ-540
30	1000008247	HOLDER,SHEET MIST LEF-12
31	1000008297	LAMP,LED UV MIN
32	1000008298	LASER,E3Z-LT61-L
33	21345105	LOCK,CJ-500
34	1000008590	PLATE,DAMPER LEF-12



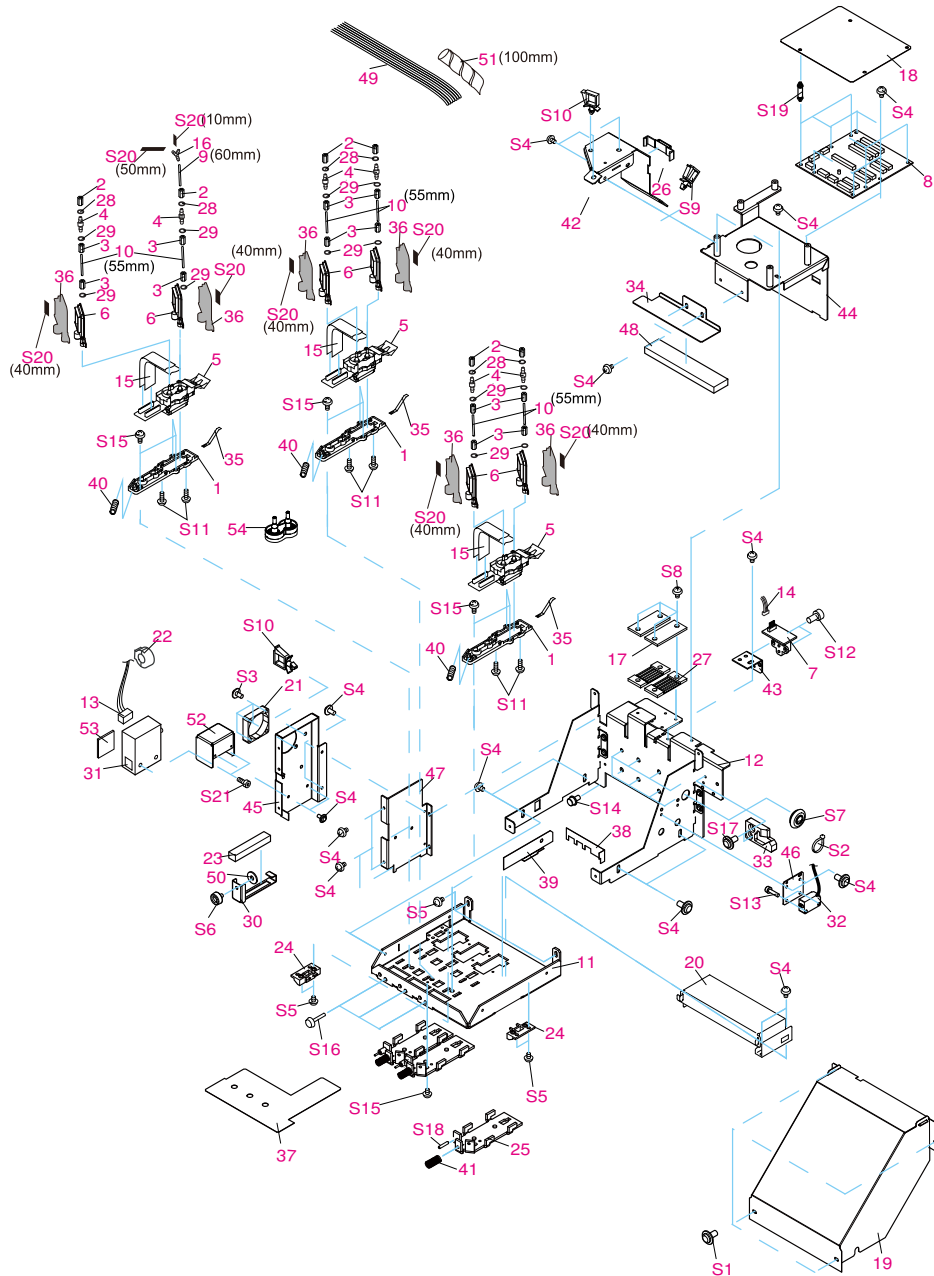
Pos	Code	Description
34	1000020000	PLATE,DAMPER LEF-12I
35	22055547	PLATE,GND FJ-540
36	1000006315	SHIELD,DAMPER LEC-330
37	1000008303	SHIELD,HEAD LEF-12
38	1000008302	SHIELD,HEAD REAR LEF-12
39	1000008301	SHIELD,HEAD SIDE LEF-12
40	22175520	SPRING,HEAD ADJUST 500 FJ-540
41	22175519	SPRING,HEAD PRESS 500 FJ-540
42	1000003863	STAY,CARRIAGE TUBE TYPE2 VP-540
43	1000000417	STAY,ENCORDER SENSOR SP-540V
43	1000012967	STAY,ENCORDER SENSOR SP-540V
44	1000008591	STAY,HOLDER CARRIAGE LEF-12
45	1000008246	STAY,LAMP LEF-12
46	1000008248	STAY,LASER POINTER LEF-12
47	1000008592	STAY,MIST LEF-12
48	1000002643	SUPPORT,DAMPER VP-540
48	1000020001	SUPPORT,DAMPER LEF-12I
49	1000008296	TUBE,SJ-RDG2.2*3.3 LINK7 LEF-12
50	1000008585	WASHER,PA6 3.4*10*0.8 LEF-12
51	22805487	ASSY,SPIRAL TUBING 320MM FJ-540
51	31258119	TUBE,SPIRAL SPP-08L 100M
52	1000009042	ADAPTER,LAMP LEF-12
53	1000009093	FILTER,FAN RX FIREFLY UV LAMP MINI 5 PCS
54	6701580440	ASSY,ADAPTER DAMPER LEJ-640
S1	31239119	SCREW SET,W-SEMS M3*4 NI 50 PCS
S2	31329601AS	CLAMP SET,INSULOK T-18S 100 PCS.
S3	31289116AS	CUPSCREW SET,M3*14 NI 100 PCS.
S4	31289109AS	CUPSCREW SET,M3*4 NI 100 PCS
S5	31289102AS	CUPSCREW SET,M3*6 NI 50 PCS.
S6	31139103	PLAPOINT,FE4*6 WH
S7	31659105	RUBBER,GROMMET MAKUTUKI MG-15
S8	31089117	SCREW SET,PAN 3*6 NI+PW 100 PCS.
S9	31409811AS	SADDLE SET,LOCKING WIRE LWS-1211Z 20P
S10	3000000560	SADDLE,LOCKING WIRE LWS-0711Z_TH
S10	31409801AS	SADDLE,LOCKING WIRE LWS-0711Z 20P
S11	31679902AS	SCREW SET C-SEMS M2*8 NI 100 PCS
S12	31019148AS	SCREW SET,BINDING M2.6*4 NI 100 PCS
S13	31049170AS	SCREW SET,CAP M3*8 NI 50 PCS.
S14	31049169AS	SCREW SET,CAP M4*8 3CBC+PW 20PCS
S15	31089121AS	SCREW SET,PAN M2.3*8 NI+PW 100PCS



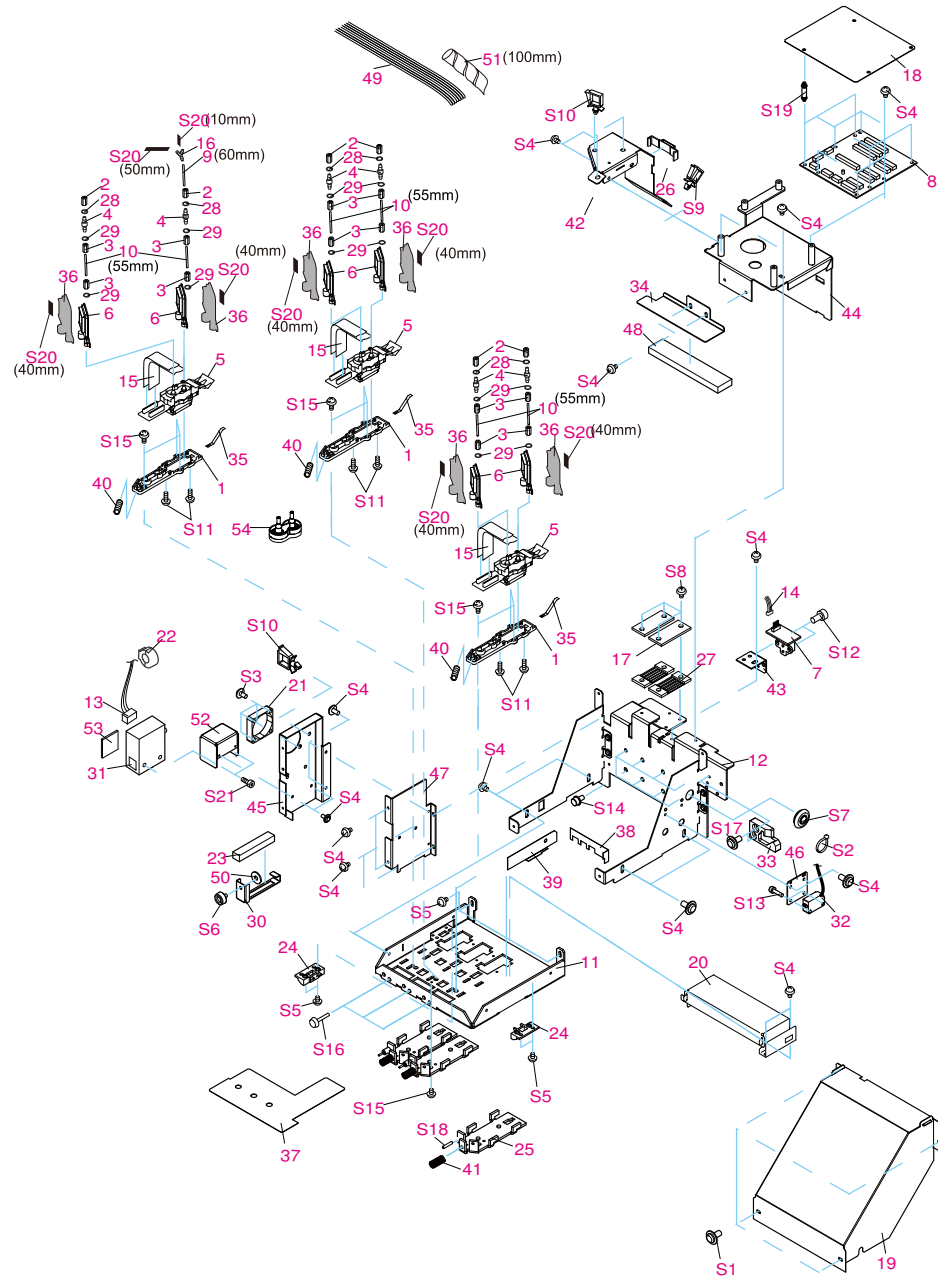
Pos	Code	Description
S16	31179908AS	SCREW SET,UREA M3*20 N-1 WH 50PCS
S17	31239125AS	SCREW SET,W-SEMS M3*8 SUS 50 PCS.
S18	31199905AS	SCRW SET,SET CONE M3*16 NI 20 PCS
S19	31209118	SPACER SET,WPCS-12S-4.0 20PCS
S20	3000000129	TAPE,AL 3M #425 19*55M
S21	31049119	SCREW SET,CAP M3*4 NI 20PCS.



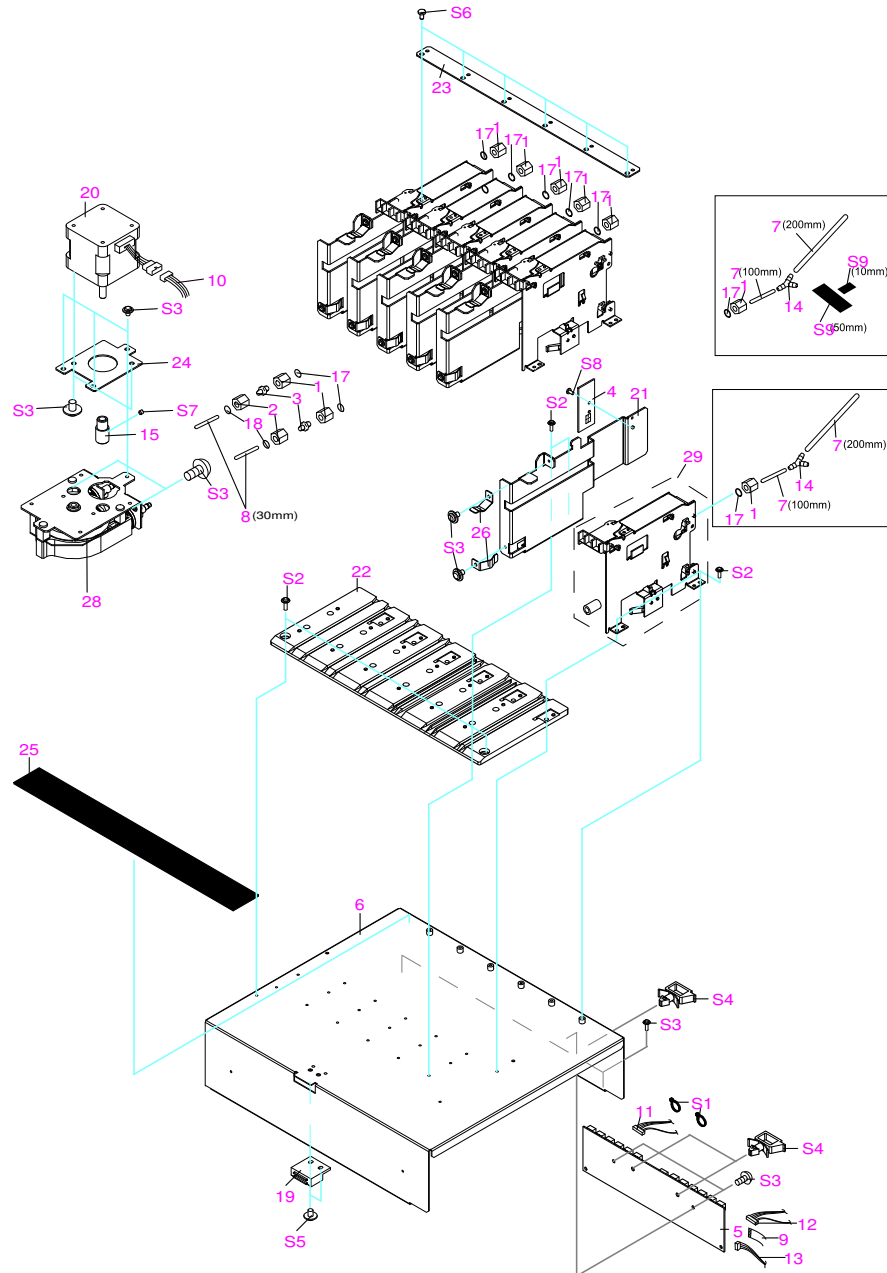
Pos	Code	Description
1	21905166	ADAPTER,HEAD FJ-540
2	11909133	ADAPTER,SCREW 2FAI FJ-50
3	11909167	ADAPTER,SCREW 3FAI FJ-540
4	100001589	ADAPTER,TUBE 2-3FAI XC-540
5	100002201	ASSY,HEAD INKJET SOL XC-540
5	600005213	ASSY,HEAD INKJET SOL XC-540 SV2
6	6085393800	ASSY,INK DAMPER L 3FAI 4 SJ-1000
7	6701681100	ASSY,LINEAR ENCODER BOARD BN-20
8	W701745060	ASSY,PRINT CARRIAGE BOARD LEF-12
9	1000008754	ASSY,TUBING BK 2.2FAI 300MM LEJ-640
9	3000000181	TUBE,INK BK 2.2FAI (10m)
9	3000000181	TUBE,INK BK 2.2FAI (10m)
10	1000006439	ASSY,TUBING 3*350MM BK LEC-330
10	3000000113	TUBE,INK BK 3FAI
12	1000008245	BASE,HOLDER CARRIAGE LEF-12
12	1000019263	BASE,HOLDER CARRIAGE2 LEF-12
13	1000008342	CABLE-ASSY,LAMP IF LEF-12
13	1000009037	CABLE-ASSY,LAMP IF LEF-12_01
14	1000008343	CABLE-ASSY,L-ENCODER LEF-12
15	23475206	CABLE-CARD 21P1 330L BB
16	1000002095	FITTING,TUBE PP VFY206
17	1000020055	COVER,BELT HOLDER EGX-600TH
17	22025646	COVER,BELT HOLDER EGX-600
18	1000008305	COVER,CARRIAGE BOARD LEF-12
19	1000008304	COVER,CARRIAGE LEF-12
20	1000002588	COVER,HEAD BOARD VP-540
21	1000008025	FAN,109P0405M911
22	1000001141	FILTER(E),TFT-102010N
23	1000008291	FILTER,MIST CARRIAGE LEF-12
24	1000003076	GUIDE,CARRIAGE CAP VP-540
25	22135440	GUIDE,HEAD AL FJ-540
26	1000003293	GUIDE,TUBE TYPE3 VP-540
27	1000015114	HOLDER,BELT EGX-600_01
27	21655232	HOLDER,BELT EGX-600
28	11659149	HOLDER,RING O 2FAI FJ-50
29	11659249	HOLDER,RING O 3FAI FJ-540
30	1000008247	HOLDER,SHEET MIST LEF-12
31	1000008297	LAMP,LED UV MIN
32	1000008298	LASER,E3Z-LT61-L
33	21345105	LOCK,CJ-500



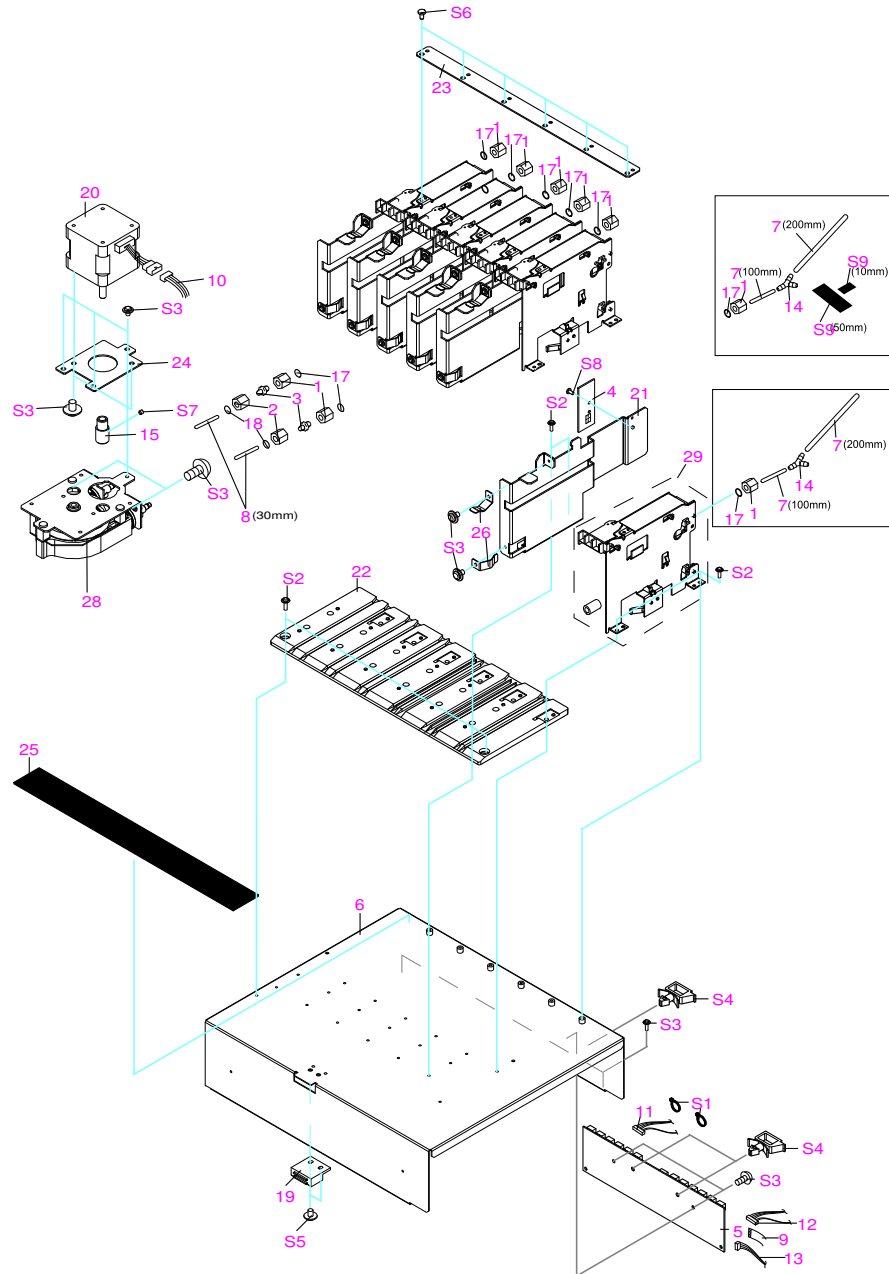
Pos	Code	Description
34	1000008590	PLATE,DAMPER LEF-12
34	1000020000	PLATE,DAMPER LEF-12I
35	22055547	PLATE,GND FJ-540
36	1000006315	SHIELD,DAMPER LEC-330
37	1000008303	SHIELD,HEAD LEF-12
38	1000008302	SHIELD,HEAD REAR LEF-12
39	1000008301	SHIELD,HEAD SIDE LEF-12
40	22175520	SPRING,HEAD ADJUST 500 FJ-540
41	22175519	SPRING,HEAD PRESS 500 FJ-540
42	1000003863	STAY,CARRIAGE TUBE TYPE2 VP-540
43	1000000417	STAY,ENCORDER SENSOR SP-540V
43	1000012967	STAY,ENCORDER SENSOR SP-540V
44	1000008591	STAY,HOLDER CARRIAGE LEF-12
45	1000008246	STAY,LAMP LEF-12
46	1000008248	STAY,LASER POINTER LEF-12
47	1000008592	STAY,MIST LEF-12
48	1000002643	SUPPORT,DAMPER VP-540
48	1000020001	SUPPORT,DAMPER LEF-12I
49	1000008296	TUBE,SJ-RDG2.2*3.3 LINK7 LEF-12
50	1000008585	WASHER,PA6 3.4*10*0.8 LEF-12
51	22805487	ASSY,SPIRAL TUBING 320MM FJ-540
51	31258119	TUBE,SPIRAL SPP-08L 100M
52	1000009042	ADAPTER,LAMP LEF-12
53	1000009093	FILTER,FAN RX FIREFLY UV LAMP MINI 5 PCS
54	6701580440	ASSY,ADAPTER DAMPER LEJ-640
S1	31239119	SCREW SET,W-SEMS M3*4 NI 50 PCS
S2	31329601AS	CLAMP SET,INSULOK T-18S 100 PCS.
S3	31289116AS	CUPSCREW SET,M3*14 NI 100 PCS.
S4	31289109AS	CUPSCREW SET,M3*4 NI 100 PCS
S5	31289102AS	CUPSCREW SET,M3*6 NI 50 PCS.
S6	31139103	PLAPOINT,FE4*6 WH
S7	31659105	RUBBER,GROMMET MAKUTUKI MG-15
S8	31089117	SCREW SET,PAN 3*6 NI+PW 100 PCS.
S9	31409811AS	SADDLE SET,LOCKING WIRE LWS-1211Z 20P
S10	3000000560	SADDLE,LOCKING WIRE LWS-0711Z_TH
S10	31409801AS	SADDLE,LOCKING WIRE LWS-0711Z 20P
S11	31679902AS	SCREW SET C-SEMS M2*8 NI 100 PCS
S12	31019148AS	SCREW SET,BINDING M2.6*4 NI 100 PCS
S13	31049170AS	SCREW SET,CAP M3*8 NI 50 PCS.
S14	31049169AS	SCREW SET,CAP M4*8 3CBC+PW 20PCS



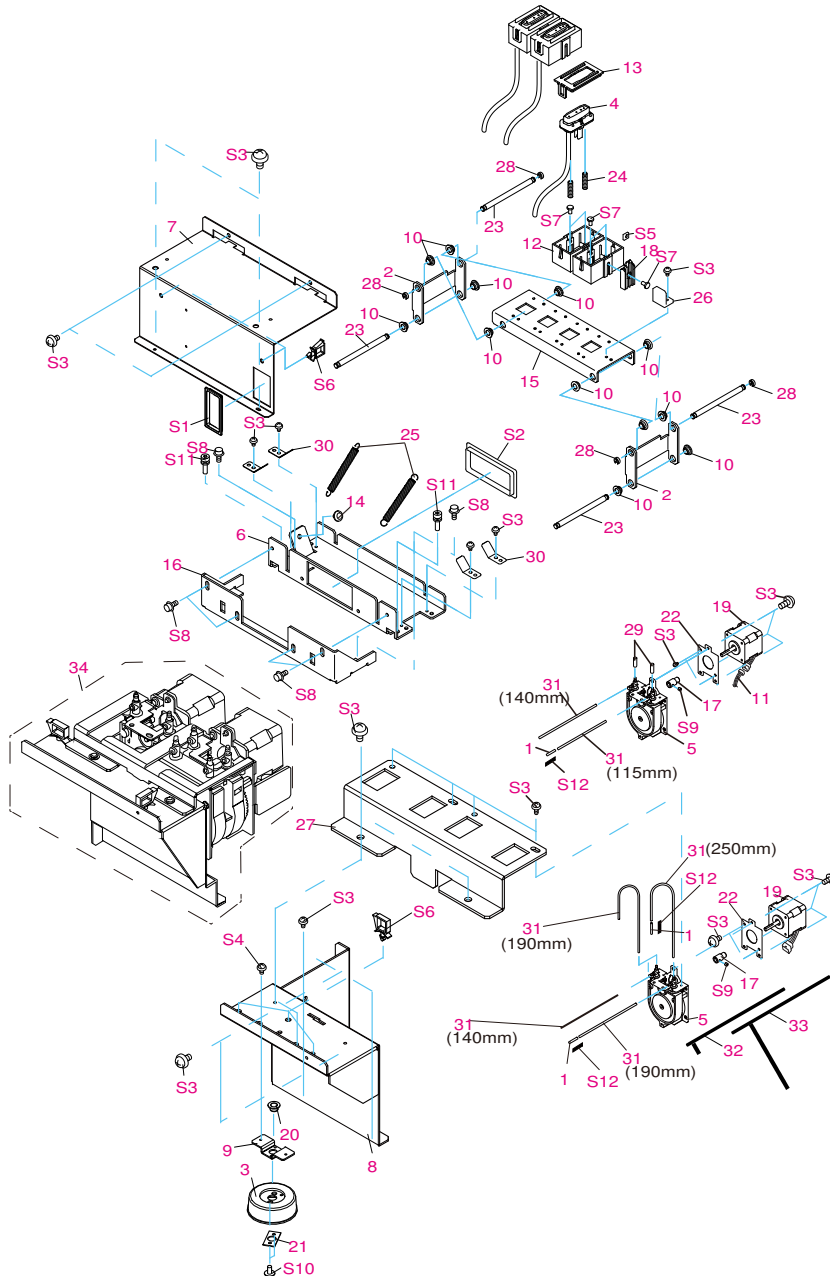
Pos	Code	Description
S15	31089121AS	SCREW SET,PAN M2.3*8 NI+PW 100PCS
S16	31179908AS	SCREW SET,UREA M3*20 N-1 WH 50PCS
S17	31239125AS	SCREW SET,W-SEMS M3*8 SUS 50 PCS.
S18	31199905AS	SCRW SET,SET CONE M3*16 NI 20 PCS
S19	31209118	SPACER SET,WPCS-12S-4.0 20PCS
S20	3000000129	TAPE,AL 3M #425 19*55M
S21	31049119	SCREW SET,CAP M3*4 NI 20PCS.



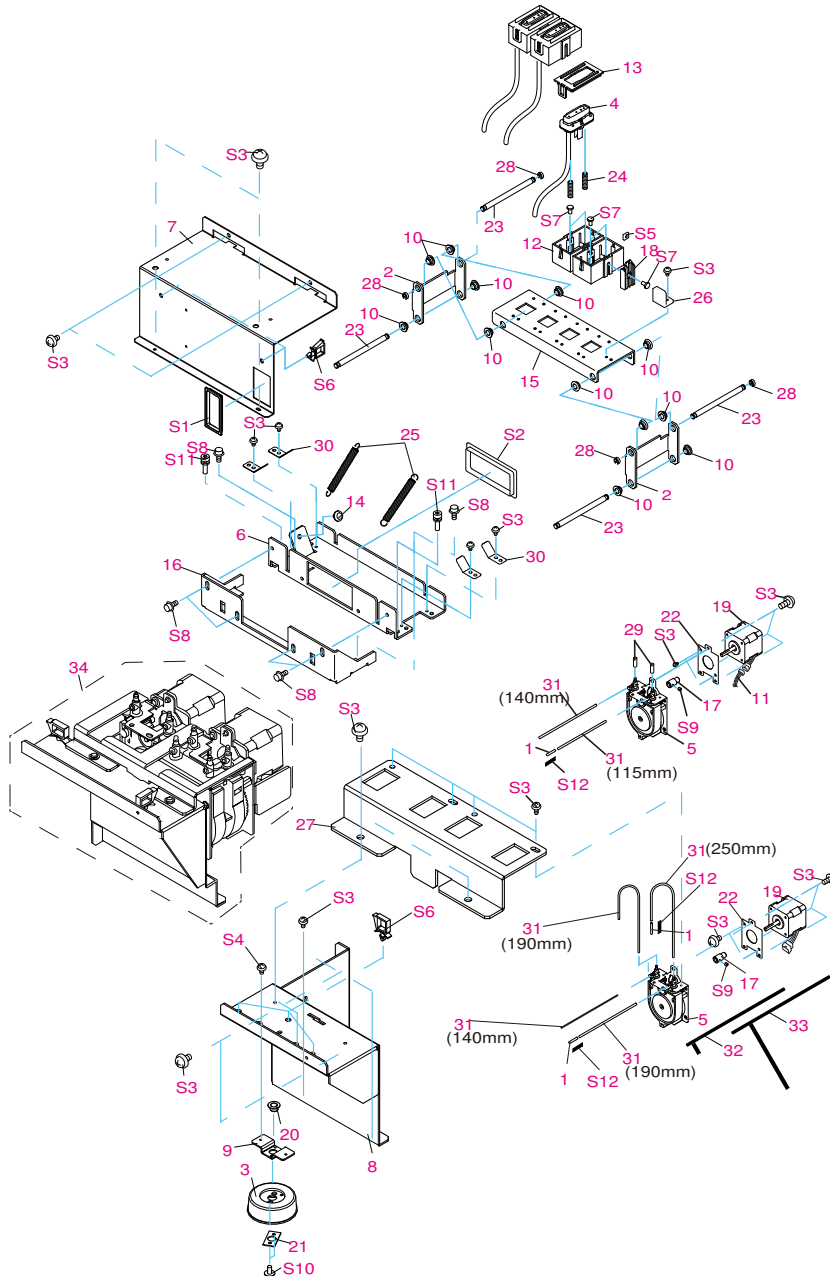
Pos	Code	Description
1	11909133	ADAPTER,SCREW 2FAI FJ-50
2	11909167	ADAPTER,SCREW 3FAI FJ-540
3	1000001589	ADAPTER,TUBE 2-3FAI XC-540
4	W700311520	ASSY,CARTRIDGE IC BOARD XC-540
4	W700900130	ASSY,CARTRIDGE IC LEC-300
5	W700311511	ASSY,INK TANK BOARD XC-540
5	W701210320	ASSY,INK TANK BOARD LEC-330
7	1000008754	ASSY,TUBING BK 2.2FAI 300MM LEJ-640
7	3000000181	TUBE,INK BK 2.2FAI (10m)
7	3000000181	TUBE,INK BK 2.2FAI (10m)
8	1000006439	ASSY,TUBING 3*350MM BK LEC-330
8	3000000113	TUBE,INK BK 3FAI
9	23475201	CABLE,CARD 6P1 255L BB FJ-540
10	1000008345	CABLE-ASSY,CIRC MTR LEF-12
11	1000006305	CABLE-ASSY,INK CARTRIDGE LEC-330
12	1000001703	CABLE-ASSY,INK CARTRIDGE XC-540
13	1000008351	CABLE-ASSY,INK SERIAL LEF-12
14	1000002095	FITTING,TUBE PP VFY206
15	1000012988	GEAR,S10B20
15	21685122	GEAR,S10S20
16	11659218	HOLDER,IC SC-500
17	11659149	HOLDER,RING O 2FAI FJ-50
18	11659249	HOLDER,RING O 3FAI FJ-540
19	12399102	MAGNET CATCHER TL-105
20	1000018516	MOTOR,103-593-1041
20	22435106	MOTOR,103-593-1041
21	1000001473	PLATE,HOLDER I/C XC-540
22	1000001580	PLATE,INK CMCM XC-540
23	1000008243	PLATE,INK JOINT LEF-12
24	1000001585	PLATE,P-MOTOR XC-540
24	1000020054	PLATE,P-MOTOR XC-540TH
25	1000008289	SHEET,INKCARTRIDGE LEF-12
26	22625103	SPRING,PRESS CARTRIDGE SP-300
27	21435109	TUBE,SILICONE 3*5*8 FJ-540
28	6701219010	ASSY,CIRCULATING PUMP LEC-330
29	6700980300	ASSY,HOLDER I/C RS-540
S1	31329601AS	CLAMP SET,INSULOK T-18S 100 PCS.
S2	31289112AS	CUPSCREW SET,M3*10 NI 100 PCS.
S3	31289109AS	CUPSCREW SET,M3*4 NI 100 PCS
S4	3000000560	SADDLE,LOCKING WIRE LWS-0711Z_TH



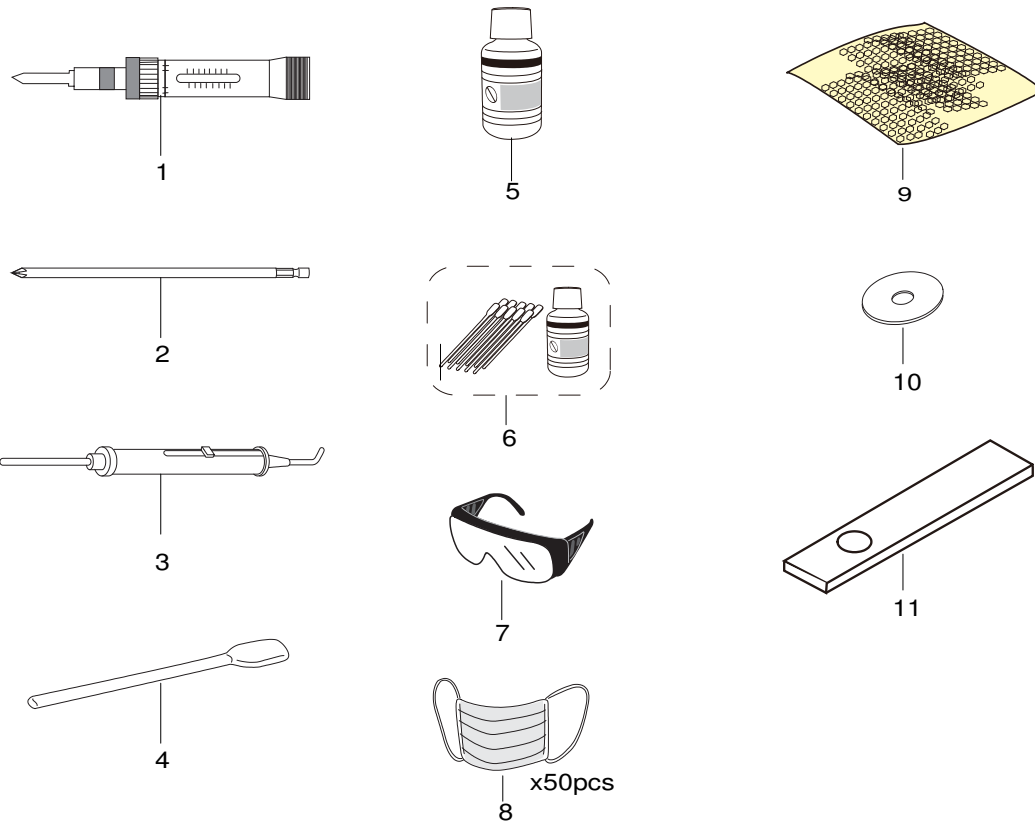
Pos	Code	Description
S4	31409801AS	SADDLE,LOCKING WIRE LWS-0711Z 20P
S5	31019142AS	SCREW SET,BINDING M3*4 NI 100PCS.
S6	31019116AS	SCREW SET,BINDING M3*6 3CBC 100 PCS
S7	31199701AS	SCREW SET,SET WP M3*3 NI 20 PCS
S8	31019801	SCREW,BINDING S-TIGHT M3*6 3C 100PCS
S9	3000000129	TAPE,AL 3M #425 19*55M



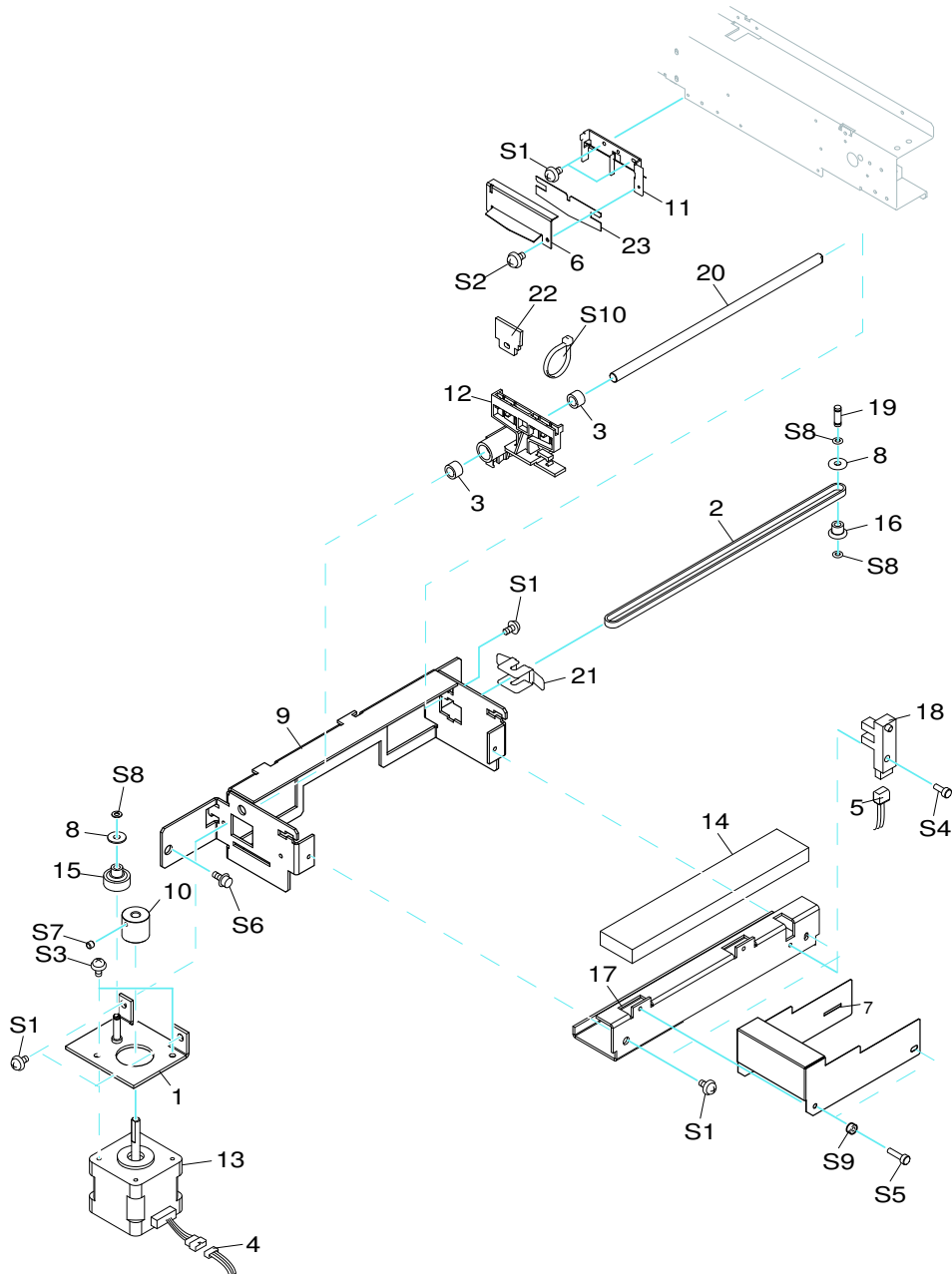
Pos	Code	Description
1	1000002680	ADAPTER,JOINT VPI336
2	1000002537	ARM,LINK UP VP-540
3	7520501000	ASSY,CAP BOTTLE 2 FJ-52
4	1000004546	ASSY,CAP-TOP 2 XC-540
5	6700319010	ASSY,PUMP SUB XC-540
6	1000006234	BASE,CAP 2 VP-540I
7	1000008237	BASE,CAP LEF-12
8	1000008240	BASE,PUMP LEF-12
9	1000008239	BRACKET,INK CATCH TANK LEF-12
10	1000000796	BUSH,80F-0503
10	1000018501	BUSH,80F-0503
11	1000008327	CABLE-ASSY,PUMP MTR LEF-12
12	21365121	CASE,CAP TOP FJ-540
13	1000015301	COVER,CAP-CASE LEJ-640
13	22025671	COVER,CAP CASE FJ-540
14	12239406	CUSHION,TM-96-6
15	1000006241	FRAME,BACK-UP CAP 2 VP-540I
16	1000002580	FRAME,BASE CAP VP-540
17	1000012988	GEAR,S10B20
17	21685122	GEAR,S10S20
18	22135616	GUIDE,CAP CASE FJ-540
19	1000018516	MOTOR,103-593-1041
19	22435106	MOTOR,103-593-1041
20	22155763	OILES BUSH 80F-0806
21	22055474	PLATE,INK CATCH TANK FJ-52
22	1000001585	PLATE,P-MOTOR XC-540
22	1000020054	PLATE,P-MOTOR XC-540TH
23	1000002539	SHAFT,CAP VP-540
24	22175334	SPRING,CAP HEAD FJ-540
25	1000002561	SPRING,CAP SWING VP-540
26	1000003033	STAY,GUIDE CAP-CASE VP-540
27	1000008238	STAY,PUMP LEF-12
28	22135349	STOPPER,PEN-HOLDER CM-24
29	1000002019	STOPPER,PUMP XC-540
30	1000002645	STOPPER,SHAFT CAP VP-540
31	1000002119	TUBE,EPDM ID2-OD4 310MM
31	3000000053	TUBE,EPDM ID2-OD4 100M
31	6000004089	TUBE,EPDM ID2-OD4 310MM_02
32	6000004178	ASSY,DRAIN TUBE L SV LEF-300
33	6000004179	ASSY,DRAIN TUBE T SV LEF-300



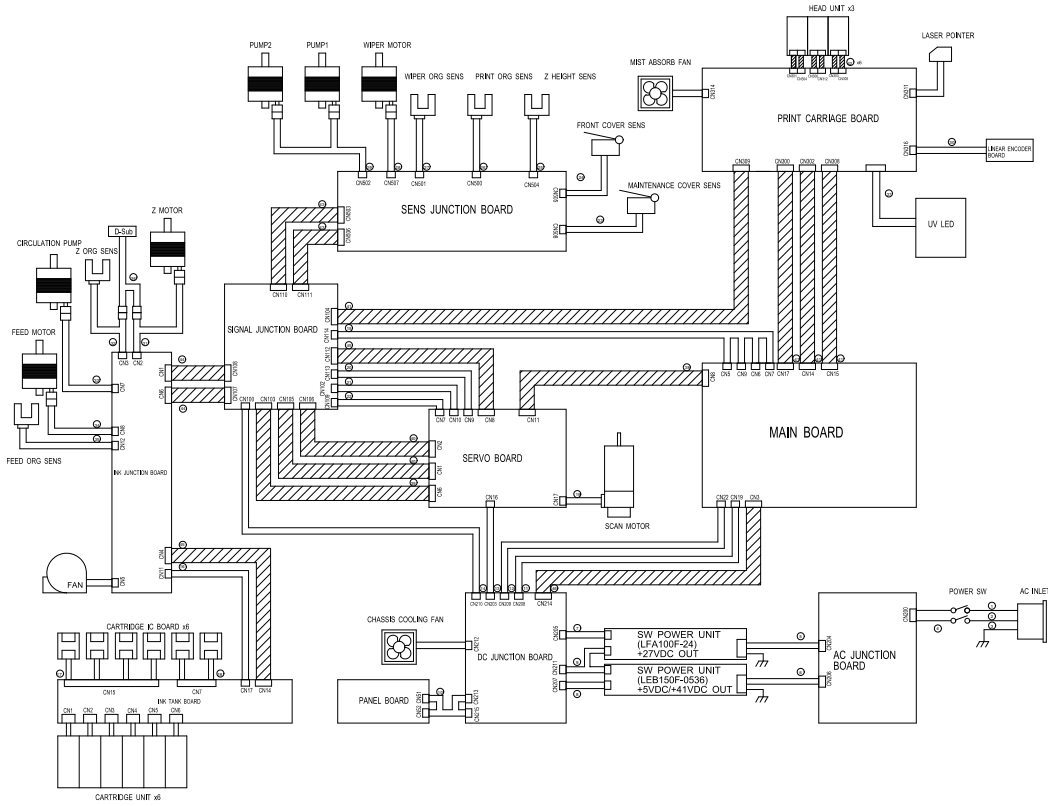
Pos	Code	Description
34	6000004225	ASSY,PUMP W SV LEF-200
S1	31029901	BUSH,SQUARE SB-4025
S2	31029106	BUSH,SQUARE SB-6025
S3	31289109AS	CUPSCREW SET,M3*4 NI 100 PCS
S4	31289102AS	CUPSCREW SET,M3*6 NI 50 PCS.
S5	31109601	NUT SET,SQUARE M3*6*1.6 FE NI 100PCS
S6	3000000560	SADDLE,LOCKING WIRE LWS-0711Z_TH
S6	31409801AS	SADDLE,LOCKING WIRE LWS-0711Z 20P
S7	31019116AS	SCREW SET,BINDING M3*6 3CBC 100 PCS
S8	31049169AS	SCREW SET,CAP M4*8 3CBC+PW 20PCS
S9	31199701AS	SCREW SET,SET WP M3*3 NI 20 PCS
S10	31239125AS	SCREW SET,W-SEMS M3*8 SUS 50 PCS.
S11	31179106	SCREW,JACK UP SP-540V
S12	3000000129	TAPE,AL 3M #425 19*55M



Pos	Code	Description
1	ST-056	TORQUE DRIVER N6
2	1000005463	TOOL,BIT PHILLIPS NO.1 L150MM ST-107
3	ST-001	TENSION GAUGE 2000GF/2000CN
4	1000003138	SET,CLEANER STICK TX712A 10PCS.
4	1000007172	CLEANER SET,STICK TX712A 100PCS
4	ST-037	CLEAN STICK TX712A
5	21755107	CLEANING LIQUID(SL) 500ML
5	6702419050	CLEANING LIQUID(ESL5) 500ML
6	22085118	KIT,CLEANING(SL)
6	6701409310	KIT,CLEANING(ESL5) 100ML
7	1000005467	TOOL,GLASSES UV COATING ST-111
8	1000006676	TOOL,DEODORANT MASK DPM-FM ST-116
9	1000005829	TOOL,VINYL YE UV RESISTANT ST-113
10	3000000188	SPACER,SHIM RING RF004010010 10PCS.
11	1000021760	SCRAPER,UV LAMP GLASS LEF2-200

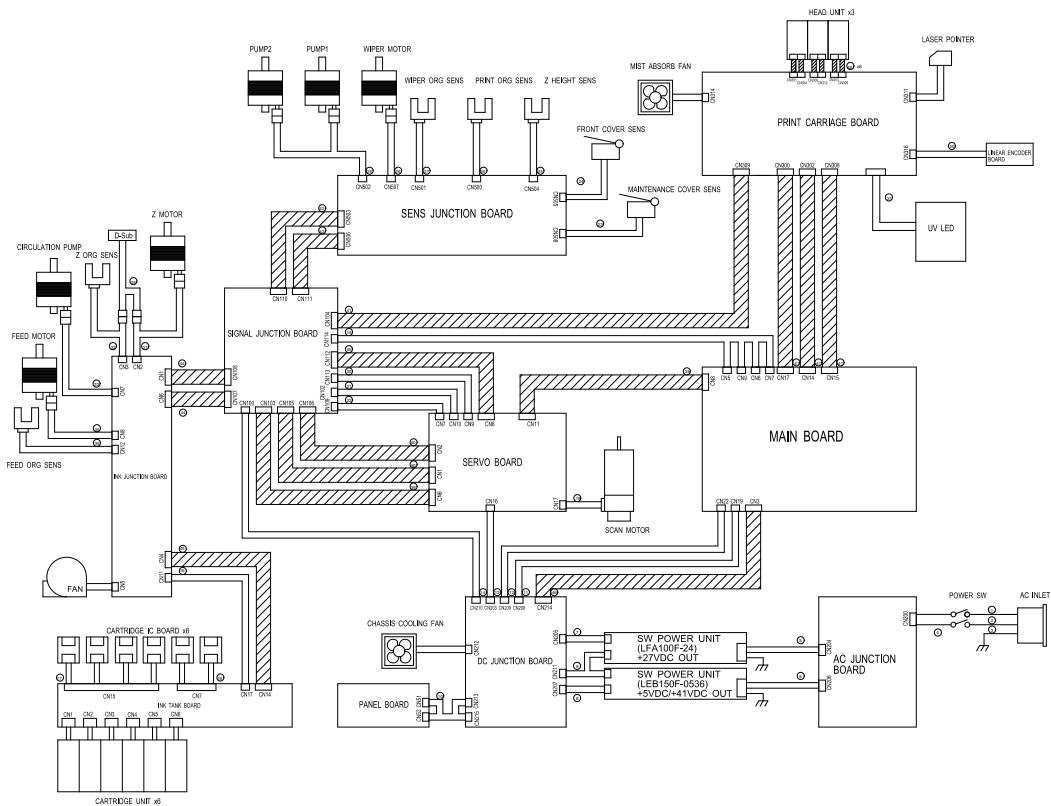


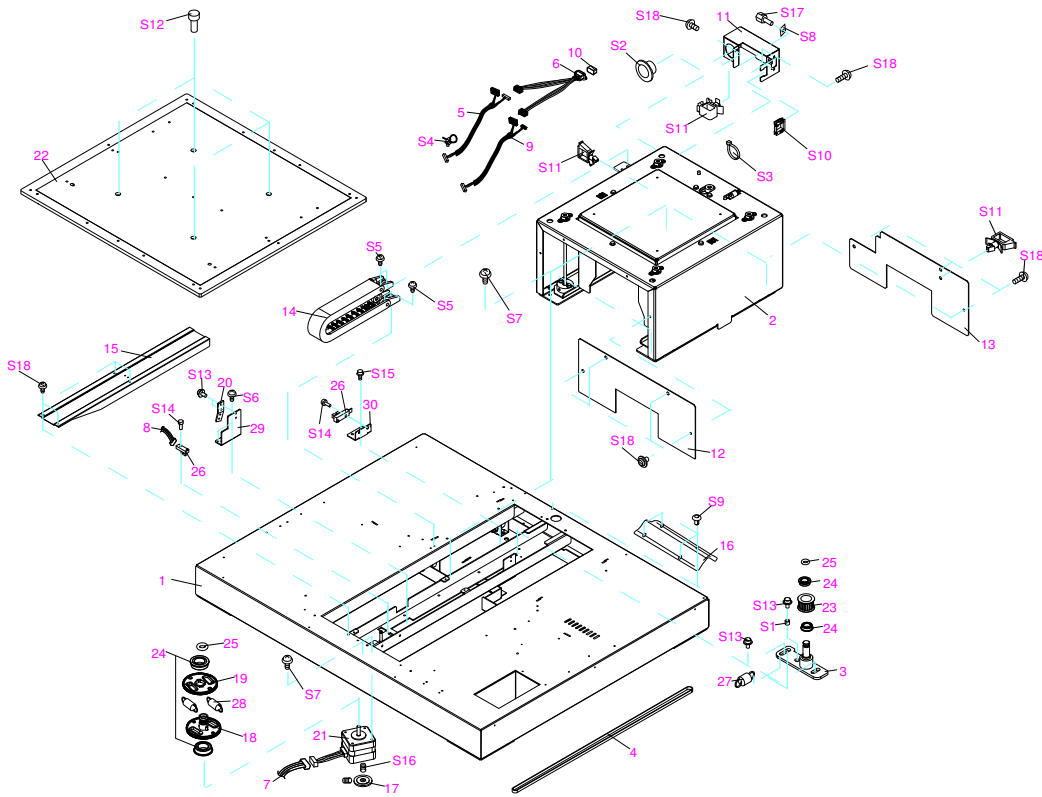
Pos	Code	Description
1	100002576	BASE,WIPER MOTOR VP-540
2	11929138	BELT,408P2M4-530
3	12159536	BUSH,B-S6-17
4	100008328	CABLE-ASSY,WIPER MTR LEF-12
5	100008326	CABLE-ASSY,WIPER ORG SENS LEF-12
6	100002573	COVER,SCRAPER VP-540
7	100008272	COVER,WIPE LEF-12
8	21995104	FLANGE,PULLEY STX-7
9	100002574	FRAME,WIPER VP-540
10	21685144	GEAR,S53S5(B15) FJ-540
11	100002571	HOLDER,SCRAPER VP-540
12	21655245	HOLDER,WIPER FJ-540
13	1000018516	MOTOR,103-593-1041
13	22435106	MOTOR,103-593-1041
14	21545160	PAD,WIPER TRAY SJ-540
15	21975124	PULLEY,T14P2S4 + GEAR,S53
16	21975123	PULLEY,WD6.94S9
17	100002575	RAIL,GUIDE WIPER VP-540
18	100006689	SENSOR-INTERRUPTER,EE-SX4009-P1
19	100004034	SHAFT,WIPE PULLEY XC-540
20	22155961	SHAFT,WIPER FJ-540
21	22175140	SPRING,TENSIONER STX-7
22	1000015036	WIPER,HEAD FOR UV INK
23	1000001658	WIPER,SCRAPER XC-540
S1	31289109AS	CUPSCREW SET,M3*4 NI 100 PCS
S2	31289112AS	CUPSCREW SET,M3*10 NI 100 PCS.
S3	31289102AS	CUPSCREW SET,M3*6 NI 50 PCS.
S4	31049171AS	SCREW SET,CAP M3*12 NI 50 PCS.
S5	31049170AS	SCREW SET,CAP M3*8 NI 50 PCS.
S6	31049169AS	SCREW SET,CAP M4*8 3CBC+PW 20PCS
S7	31199701AS	SCREW SET,SET WP M3*3 NI 20 PCS
S8	31249952	WASHER SET,POLYSLIDER 2.6*5*.5 CUT 20PCS
S9	31029820	BUSH SET,ROLL 3*2 3C 50PCS
S10	31329601AS	CLAMP SET,INSULOK T-18S 100 PCS.



Pos	Code	Description
1	1000002189	CABLE-ASSY,JUNBI A VP-540
2	1000002190	CABLE-ASSY,JUNBI B VP-540
3	23415268	CABLE-ASSY AC GROUND GREEN SP-540
4	1000008354	CABLE-ASSY,POWER AC LEF-12
5	1000008353	CABLE-ASSY,POWER 27V LEF-12
6	1000008352	CABLE-ASSY,POWER 41V LEF-12
7	1000008340	CABLE-ASSY,POWER-DC-B LEF-12
8	1000008355	CABLE-ASSY,POWER-DC-A LEF-12
9	1000008356	CABLE-ASSY,SLEEP CONTROL LEF-12
10	1000008344	CABLE-ASSY,JUNC PANEL LEF-12
11	1000008338	CABLE-ASSY,POWER-MAIN-A LEF-12
12	1000008339	CABLE-ASSY,POWER-MAIN-B LEF-12
13	1000008337	CABLE-ASSY,POWER-SERVO LEF-12
14	1000008336	CABLE-ASSY,POWER-SIGNAL LEF-12
15	1000008332	CABLE-ASSY,JUNC-SENS LEF-12
16	1000008351	CABLE-ASSY,INK SERIAL LEF-12
17	100001703	CABLE-ASSY,INK CARTRIDGE XC-540
18	100006305	CABLE-ASSY,INK CARTRIDGE LEC-330
19	1000008341	CABLE-ASSY,SCAN MTR LEF-12
20	1000008334	CABLE-ASSY,SUB SERIAL LEF-12
21	1000008333	CABLE-ASSY,AMBIENT AD LEF-12
22	1000008335	CABLE-ASSY,FAN JUNC LEF-12
23	1000008331	CABLE-ASSY,M-COVER SW LEF-12
24	1000008330	CABLE-ASSY,F-COVER SW LEF-12
25	1000008325	CABLE-ASSY,Z HEIGHT SENS LEF-12
25	1000011671	CABLE-ASSY,Z HEIGHT SENS LEF-20
26	1000008329	CABLE-ASSY,PRINT ORG SENS LEF-12
27	1000008326	CABLE-ASSY,WIPER ORG SENS LEF-12
28	1000008328	CABLE-ASSY,WIPER MTR LEF-12
29	1000008327	CABLE-ASSY,PUMP MTR LEF-12
30	1000008343	CABLE-ASSY,L-ENCODER LEF-12
31	1000008348	CABLE-ASSY,JUNC Z MTR LEF-12
32	1000008349	CABLE-ASSY, JUNC Z SENS LEF-12
33	1000008345	CABLE-ASSY,CIRC MTR LEF-12
34	1000008346	CABLE-ASSY,FEED MTR LEF-12
35	1000008347	CABLE-ASSY,FEED ORG SENS LEF-12
36	1000008350	CABLE-ASSY, JUNC-ROTARY-A LEF-12
37	1000008342	CABLE-ASSY,LAMP IF LEF-12
38	1000000619	CABLE-CARD 25P1 225L BB HIGH-V
39	1000000148	CABLE-CARD,28P1 100L BB HIGH-V

Pos	Code	Description
40	1000006946	CABLE-CARD,26P1 300L BB HIGH-V
41	1000008357	CABLE-CARD,36P1 1700L BB HIGH-V
42	23475206	CABLE-CARD 21P1 330L BB
43	1000008359	CABLE-CARD,21P1 1100L BB HIGH-V
44	1000008358	CABLE-CARD,29P1 600L BB HIGH-V
45	23475201	CABLE,CARD 6P1 255L BB FJ-540
46	1000008361	CABLE-CARD,24P1 90L BB HIGH-V





Pos	Code	Description
2	6701740390	ASSY, TABLE UNIT SUB 4 LEF-12
3	22845196	BASE, TENSION TS-30
4	11929121	BELT, 1040P2M6-530
5	1000008349	CABLE-ASSY, JUNC Z SENS LEF-12
6	1000008350	CABLE-ASSY, JUNC-ROTARY-A LEF-12
7	1000008346	CABLE-ASSY, FEED MTR LEF-12
8	1000008347	CABLE-ASSY, FEED ORG SENS LEF-12
9	1000008348	CABLE-ASSY, JUNC Z MTR LEF-12
10	1000008579	COVER, D-SUB J-DCES JST
11	1000008234	COVER, ROTARY JOINT LEF-12
12	1000008232	COVER, TABLE BASE A LEF-12
13	1000008233	COVER, TABLE BASE B LEF-12
14	1000001790	COVER, TKP0130-2B-R18-L23
15	1000008231	COVER, Y DRIVE LEF-12
16	1000008287	COVER, Y MOTOR CABLE LEF-12
17	12569532	DAMPER DM-4025A
18	21685141	GEAR, DRIVE-1 EGX-20
19	21685142	GEAR, DRIVE-2 EGX-20
20	1000002079	HOLDER, BELT MDX-40
21	1000005506	MOTOR, 103-591-0621
21	1000009742	MOTOR, SH1421-5013
22	1000008310	PLATE, TABLE LEF-12
23	21975143	PULLEY, T22P2S10B10
24	11889107	R-BEARING, D10S6(B3FL)
25	11519107	RING, O P4
26	1000006689	SENSOR-INTERRUPTER, EE-SX4009-P1
27	22175308	SPRING, BELT TENSION EGX-20
28	22175306	SPRING, GEAR EGX-20
29	1000008230	STAY, BELT LEF-12
30	1000008620	STAY, Z ORIGIN SENS LEF-12
S1	31029802AS	BUSH SET, ROLL 3*3.5 3C 100PCS.
S2	31029101	BUSH, NB-19
S3	31329601AS	CLAMP SET, INSULOK T-18S 100 PCS.
S4	31329501AS	CLAMP SET, PUSH MOUNT RT30SSF5 20P
S5	31289111AS	CUPSCREW SET, M4*6 NI 100 PCS.
S6	31289109AS	CUPSCREW SET, M3*4 NI 100 PCS
S7	31289102AS	CUPSCREW SET, M3*6 NI 50 PCS.
S8	31109601	NUT SET, SQUARE M3*6*1.6 FE NI 100PCS
S9	31159902AS	RIVET SET, NYLON P3055W 20 PCS.
S10	31409702	SADDLE SET, LOCKING WIRE LES-1010 20P

Pos	Code	Description
S11	31409811AS	SADDLE SET,LOCKING WIRE LWS-1211Z 20P
S12	31049105AS	SCREW SET,CAP M3*6 3CBC 20 PCS
S13	31049154AS	SCREW SET,CAP M3*6 NI+PW 20 PCS
S14	31049173AS	SCREW SET,CAP M4*10 NI 50 PCS.
S15	31049169AS	SCREW SET,CAP M4*8 3CBC+PW 20PCS
S16	31199701AS	SCREW SET,SET WP M3*3 NI 20 PCS
S17	1000008580	SCREW,D-SUB DDK 17L-003C3
S18	31289105AS	CUPSCREW SET, M3*6 3CBC 100 PCS

